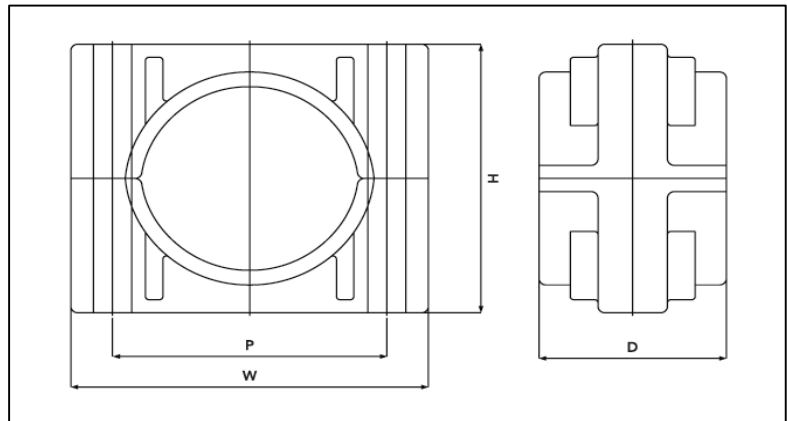


Two Hole Aluminium Cableclamp (2A) Data Sheet

Manufactured as standard in plain LM6 aluminium to BS 1490. Used to fix power cables in dry industrial or outdoor unpolluted applications, the product can be epoxy coated for use in harsh environments, such as sea air conditions. The clamp can also be supplied with a V0 Neoprene liner.



Selection Table for Aluminium Two Hole Cable Clamps

Part No	Cable Ø Range mm	Liner Thickness mm	Range Take with Liner mm	Dimensions				Fixing Hole	Pack Qty.	Weight g
				W mm	H mm	D mm	P mm			
2A-07N	38-46	3	32-40	94	48	49	68	2 x M10	1	166
2A-08N	46-51	3	40-45	104	54	49	79	2 x M10	1	196
2A-09N	51-57	3	45-51	105	61	49	79	2 x M10	1	210
2A-10N	57-64	3	51-58	105	68	49	79	2 x M10	1	226
2A-11N	64-70	3	58-64	133	74	64	106	2 x M10	1	339
2A-1200N	70-76	3	64-70	133	80	64	106	2 x M10	1	347
2A-1201N	76-83	3	70-77	133	87	64	106	2 x M10	1	342
2A1202N	83-90	3	77-84	133	94	64	106	2 x M10	1	356
2A-131N	90-97	4	82-89	154	101	76	126	2 x M10	1	490
2A-132N	97-105	4	89-97	154	109	76	126	2 x M10	1	468
2A-141N	105-112	4	97-104	165	118	76	135	2 x M10	1	532
2A-142N	112-120	4	104-112	173	124	76	143	2 x M10	1	590
2A-151N	120-128	5	100-118	196	148	125	168	2 x M12	1	1700
2A-152N	128-135	5	118-125	203	158	125	176	2 x M12	1	1840
2A-161N	135-144	5	125-134	222	168	150	190	2 x M16	1	2633
2A-162N	144-152	5	134-142	232	179	150	200	2 x M16	1	2856
2A-171N	152-160	5	142-150	242	190	150	210	2 x M16	1	3089
2A-172N	160-168	5	150-158	252	201	150	220	2 x M16	1	3332



To order a clamp with a liner add an 'L' suffix to the part no. e.g. 2A-07NL

Testing Information

Two Hole Cable Clamps have been tested in line with the International Standard of "Cable Cleats for Electrical Installations" IEC 61914: 2009. Typical results below.

Properties	IEC 61914:2009 Classification Clause	Units / Classification	Test Data
Cleat Type	6.1.1	Metallic	-
Impact Resistance	6.3.5, 9.2	Very Heavy Classification (>6.7kg @ 300mm)	Pass
Resistance to Electro Mechanical Force (Undertaken at Damstra Laboratories NL)	6.4, 6.4.4, 9.5.3	kA @ 200mm Phase Spacing. 1000mm cleat spacing	113 Peak (Report No. PDL- 15.025.1)
Temperature for Permanent Application	6.2	°C	-40 to 90
Needle Flame Test	10.0, 10.1	Application Time (seconds)	>120
Lateral Load Test	9.3	Newtons (N)	25000
Axial Movement Test	9.4	Newtons (N)	1200