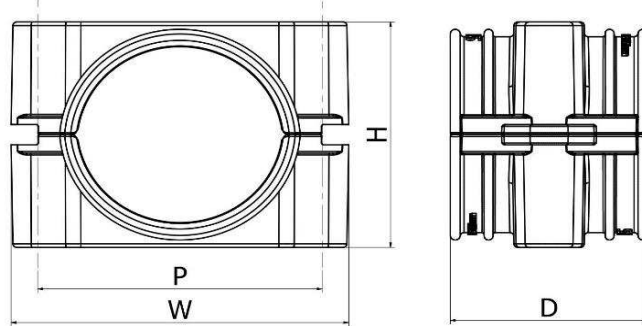


Two Hole Cableclamp (2F+) Data Sheet

Manufactured as standard in black polypropylene (B), black flame retardant V0 zero halogen phosphorus free Nylon (LSF) or to special order in a London Underground approved material (LUL). (Material data sheets are available on request). **UK Design Reg. No. 355854.** Used to fix power cables in indoor and outdoor applications.



Selection Table for Two Hole Cable Clamps

Part No	Material Suffix	Cable Dia. Range mm	Dimensions				Fixing Hole	Pack Qty.	Weight g		
			W mm	H mm	D mm	P mm			B	LSF	LUL
2F+07	B/LSF/LUL	38-46	92	60	54	68	2 x M10	25	73	91	119
2F+08	B/LSF/LUL	46-51	103	71	54	79	2 x M10	25	81	110	132
2F+09	B/LSF/LUL	51-57	103	76	54	79	2 x M10	25	95	119	155
2F+10	B/LSF/LUL	57-64	103	82	54	79	2 x M10	25	89	123	156
2F+11	B/LSF/LUL	64-70	130	89	54	106	2 x M10	10	116	157	189
2F+1200	B/LSF/LUL	70-76	128	95	75	104	2 x M12	10	148	200	300
2F+1201	B/LSF/LUL	76-83	135	100	75	111	2 x M12	10	163	220	330
2F+1202	B/LSF/LUL	83-90	143	108	75	119	2 x M12	10	183	248	343
2F+131	B/LSF/LUL	90-97	165	115	100	138	2 x M12	5	318	430	645
2F+132	B/LSF/LUL	97-105	171	122	100	144	2 x M12	5	333	450	675
2F+141	B/LSF/LUL	105-112	178	130	100	151	2 x M12	5	376	508	762
2F+142	B/LSF/LUL	112-120	187	138	125	160	2 x M12	5	483	653	980
2F+151	B/LSF/LUL	120-128	196	148	125	168	2 x M12	5	537	716	1074
2F+152	B/LSF/LUL	128-135	203	158	125	176	2 x M12	5	579	772	1158
2F+161	B/LSF/LUL	135-144	222	168	150	190	2 x M16	5	831	1109	1663
2F+162	B/LSF/LUL	144-152	232	179	150	200	2 x M16	5	902	1203	1804
2F+171	B/LSF/LUL	152-160	242	190	150	210	2 x M16	5	976	1301	1951
2F+172	B/LSF/LUL	160-168	252	201	150	220	2 x M16	5	1052	1403	2105



London Underground

The LUL version of the 2F Two Hole Cableclamps are compliant with the requirement of London Underground Standard 1-085. Product Register No. 364.

Issue 04 10/06/15 Page 1 of 2



THORNE & DERRICK
INTERNATIONAL

Thorne & Derrick
+44 (0) 191 410 4292
www.heatingandprocess.com

Testing Information

Two Hole Cable Clamps have been tested in line with the International Standard of "Cable Cleats for Electrical Installations" IEC 61914: 2009. Typical results below.

Properties	IEC 61914:2009 Classification Clause	Units / Classification B	Units / Classification LSF	Test Data B	Test Data LSF
Cleat Type	6.1, 6.1.3	Non Metallic	Non Metallic	-	-
Impact Resistance	6.2, 6.3.5, 9.2	Very Heavy Classification (>6.7kg @ 300mm)	Very Heavy Classification (>6.7kg @ 300mm)	Pass	Pass
Resistance to Electro Mechanical Force (Undertaken at Damstra Laboratories NL)	6.4, 6.4.3, 9.5	Refer to Ellis Patents.	kA @ 600mm Centres. 4 Core SWA Cable (3 cores used)	Refer to Ellis Patents.	76 Peak (Report No. PDL-10.150) 114 Peak (Report No. PDL-15.025.2)
			kA @ 200mm phase spacing, 1000mm cleat spacing		114 Peak (Report No. PDL-15.025.2)
Temperature for Permanent Application	6.2	°C	°C	-40 to 40	-40 to 60
Needle Flame Test	10.0, 10.1	Application Time (seconds)	Application Time (seconds)	>30	>120
Lateral Load Test	9.3	Newtons (N)	Newtons (N)	7330 to 15000 (depending on size)	18400 to 40000 (depending on size)
Axial Movement Test	9.4	Newtons (N)	Newtons (N)	1220	2000

