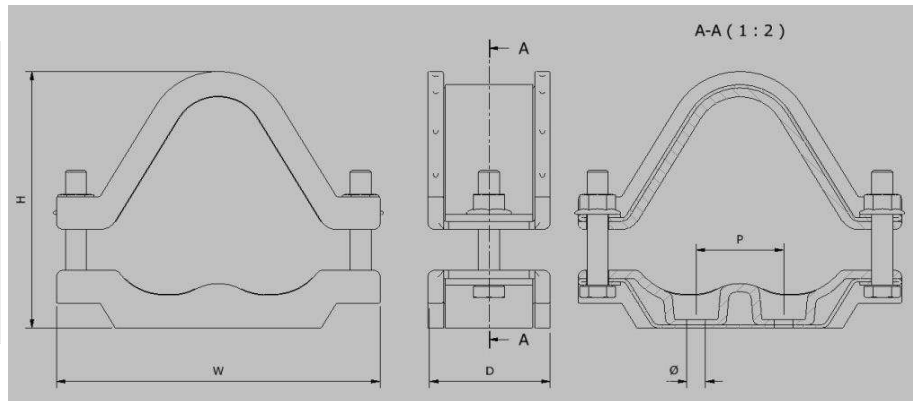


Colossus Data Sheet (Trefoil)

Colossus Cable Cleat (Trefoil)



Colossus Cleat

| Part No | Cable Range | | Dimensions | | | | | Weight g |
|------------|-------------|-------------|------------|------|------|------|----------------|----------|
| | Min Dia mm | Max Dia. mm | W mm | H mm | D mm | P mm | ∅ Fixing Holes | |
| COL24-29 | 24 | 29 | 128 | 87 | 60 | 25 | 2 x M10 + M12 | 604 |
| COL27-32 | 27 | 32 | 133 | 92 | 60 | 25 | 2 x M10 + M12 | 623 |
| COL30-36 | 30 | 36 | 137 | 101 | 60 | 25 | 2 x M10 + M12 | 639 |
| COL34-41 | 34 | 41 | 146 | 110 | 60 | 25 | 2 x M10 + M12 | 690 |
| COL39-47 | 39 | 47 | 157 | 122 | 60 | 25 | 2 x M10 + M12 | 734 |
| COL45-54 | 45 | 54 | 171 | 141 | 70 | 50 | 2 x M10 | 913 |
| COL52-62 | 52 | 62 | 185 | 156 | 70 | 50 | 2 x M10 | 974 |
| COL60-72 | 60 | 72 | 204 | 176 | 70 | 50 | 2 x M10 | 1063 |
| COL69-83 | 69 | 83 | 225 | 202 | 100 | 75 | 2 x M12 | 1590 |
| COL79-95 | 79 | 95 | 247 | 225 | 100 | 75 | 2 x M12 | 1700 |
| COL91-109 | 91 | 109 | 273 | 253 | 100 | 120 | 2 x M12 | 1900 |
| COL105-126 | 105 | 126 | 306 | 286 | 150 | 120 | 2 x M12 | 3030 |
| COL122-146 | 122 | 146 | 345 | 324 | 150 | 150 | 2 x M12 | 3270 |
| COL142-170 | 142 | 170 | 390 | 371 | 150 | 150 | 2 x M12 | 3680 |

Saddled Colossus Cleats:

| Part No | Cable Range | | Dimensions | | | | | Weight g |
|--------------|-------------|-------------|------------|------|------|------|----------------|----------|
| | Min Dia mm | Max Dia. mm | W mm | H mm | D mm | P mm | ∅ Fixing Holes | |
| COL69-83SC | 69 | 83 | 225 | 202 | 300 | 75 | 2 x M12 | TBA |
| COL79-95SC | 79 | 95 | 247 | 225 | 300 | 75 | 2 x M12 | TBA |
| COL91-109SC | 91 | 109 | 273 | 253 | 300 | 120 | 2 x M12 | TBA |
| COL105-126SC | 105 | 126 | 306 | 286 | 300 | 120 | 2 x M12 | 3400 |
| COL122-146SC | 122 | 146 | 345 | 324 | 300 | 150 | 2 x M12 | TBA |
| COL142-170SC | 142 | 170 | 390 | 371 | 300 | 150 | 2 x M12 | TBA |

Issue 02 12/03/2015



**THORNE &
DERRICK**
INTERNATIONAL

Thorne & Derrick
+44 (0) 191 410 4292
www.powerandcables.com

Testing Information

Colossus Cleats have been tested in line with the International Standard of 'Cable Cleats for Electrical Installations' IEC 61914:2009. Typical results are detailed below:

| Properties | IEC 61914:2009 Classification Clause | Units / Classification | Colossus Trefoil Cable Application Test Data |
|---|--------------------------------------|--|--|
| Cleat Type | 6.1, 6.1.3 | Composite | - |
| Impact Resistance | 6.3, 6.3.5, 9.2 | Very Heavy Classification (5kg @ 400mm) | Pass |
| Resistance to Electromechanical Force (undertaken at ZKU Laboratories CZ) | 6.4, 6.4.3, 9.5 | 104kA @ 7.8m (with intermediate straps every 1.3m centres M12 Fixings (withstanding two short circuits)) | Refer to Ellis Patents for test certificate |
| Temperature for Permanent Application | 6.2 | °C | -40 to 60 |
| Needle Flame Test | 10.0, 10.1 | Application Time (seconds) | >120 |
| Lateral Load Test | 9.3 | Newtons (N) | 14,000 |
| Axial Movement Test | 9.4 | Newtons (N) | Refer to Ellis Patents for details |