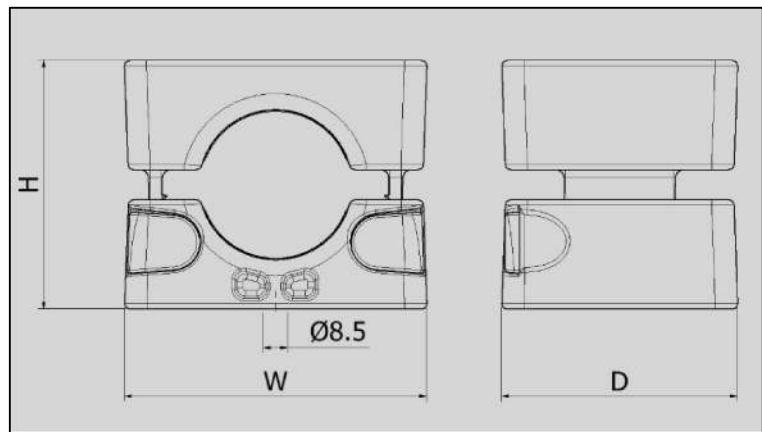


NO BOLTS CLEAT

No Bolts Cleat is a fully polymeric cable cleat to suit Ø18 - Ø55mm single cables, designed for fast installation. The cleat is manufactured from a high strength nylon that meets the London Underground 1-085 specification. Due to its non-metallic design the cleat is impervious to 'bi-metallic' corrosion and suitable for use in the harshest of environments. (Material data sheets available on request).



Selection Table for No Bolts Cleat

The range is covered by a set of inserts that sit inside the main body, therefore all outside dimensions are the same.

Part No.	Cable Ø Range mm	Dimensions			Fixing Hole	Weight g
		W mm	H mm	D mm		
NBC18-22	18 - 22	109	91	90	1 x M8	830
NBC20-26	20 - 26	109	91	90	1 x M8	815
NBC24-30	24 - 30	109	91	90	1 x M8	808
NBC28-34	28 - 34	109	91	90	1 x M8	801
NBC32-39	32 - 39	109	91	90	1 x M8	792
NBC37-47	37 - 47	109	91	90	1 x M8	758
NBC45-55*	45 - 55	109	91	85	1 x M8	675

For the twist fit foot feature add a 'TF' suffix e.g. NBC 18-22TF



London Underground

No Bolts Cleat is compliant with the requirement of London Underground Standard 1-085.

Testing Information

No Bolts Cleat has been tested in line with the International Standard of 'Cable Cleats for Electrical Installations' IEC 61914: 2015. Typical results below.

Properties	IEC 61914:2009 Classification Clause	Units / Classification	Test Data*
Cleat Type	6.1, 6.1.3	Non Metallic	-
Impact Resistance	6.2, 6.3.5, 9.2	Very Heavy Classification (>6.7kg @ 300mm)	Pass
Resistance to Electro Mechanical Force <i>(Undertaken at Damstra Laboratories NL)</i>	6.4, 6.4.3, 9.5	Refer to Ellis Patents.	71 kA peak @ 75mm phase spacing and 300mm cleat spacing. / 101kA peak @ 110mm phase spacing and 300mm cleat spacing. <i>(PDL-16.106)</i>
Temperature for Permanent Application	6.2	°C	-40 to 40
Needle Flame Test	10.0, 10.1	Application Time (seconds)	>120
Lateral Load Test	9.3	Newtons (N)	3000
Axial Movement Test	9.4	Newtons (N)	Refer to Ellis Patents.

* Testing carried out on an NBC45-55 only.

