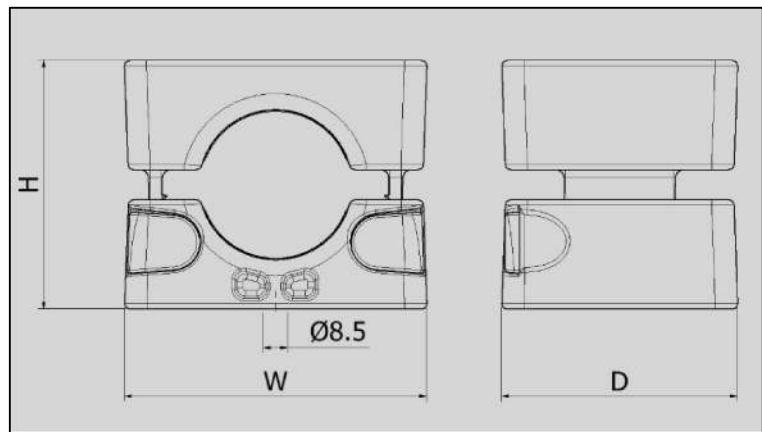


NO BOLTS CLEAT

No Bolts Cleat is a fully polymeric cable cleat to suit Ø18 - Ø55mm single cables, designed for fast installation. The cleat is manufactured from a high strength nylon that meets the London Underground 1-085 specification. Due to its non-metallic design the cleat is impervious to 'bi-metallic' corrosion and suitable for use in the harshest of environments. (Material data sheets available on request).



Selection Table for No Bolts Cleat

The range is covered by a set of inserts that sit inside the main body, therefore all outside dimensions are the same.

| Part No. | Cable Ø Range mm | Dimensions | | | Fixing Hole | Weight g |
|-----------|------------------|------------|------|------|-------------|----------|
| | | W mm | H mm | D mm | | |
| NBC18-22 | 18 - 22 | 109 | 91 | 90 | 1 x M8 | 830 |
| NBC20-26 | 20 - 26 | 109 | 91 | 90 | 1 x M8 | 815 |
| NBC24-30 | 24 - 30 | 109 | 91 | 90 | 1 x M8 | 808 |
| NBC28-34 | 28 - 34 | 109 | 91 | 90 | 1 x M8 | 801 |
| NBC32-39 | 32 - 39 | 109 | 91 | 90 | 1 x M8 | 792 |
| NBC37-47 | 37 - 47 | 109 | 91 | 90 | 1 x M8 | 758 |
| NBC45-55* | 45 - 55 | 109 | 91 | 85 | 1 x M8 | 675 |

For the twist fit foot feature add a 'TF' suffix e.g. NBC 18-22TF



**London
Underground**

No Bolts Cleat is compliant with the requirement of London Underground Standard 1-085.

Testing Information

No Bolts Cleat has been tested in line with the International Standard of 'Cable Cleats for Electrical Installations' IEC 61914: 2015. Typical results below.

| Properties | IEC 61914:2009 Classification Clause | Units / Classification | Test Data* |
|--|--------------------------------------|--|---|
| Cleat Type | 6.1, 6.1.3 | Non Metallic | - |
| Impact Resistance | 6.2, 6.3.5, 9.2 | Very Heavy Classification (>6.7kg @ 300mm) | Pass |
| Resistance to Electro Mechanical Force <i>(Undertaken at Damstra Laboratories NL)</i> | 6.4, 6.4.3, 9.5 | Refer to Ellis Patents. | 71 kA peak @ 75mm phase spacing and 300mm cleat spacing. / 101kA peak @ 110mm phase spacing and 300mm cleat spacing. <i>(PDL-16.106)</i> |
| Temperature for Permanent Application | 6.2 | °C | -40 to 40 |
| Needle Flame Test | 10.0, 10.1 | Application Time (seconds) | >120 |
| Lateral Load Test | 9.3 | Newtons (N) | 3000 |
| Axial Movement Test | 9.4 | Newtons (N) | Refer to Ellis Patents. |

* Testing carried out on an NBC45-55 only.

