

ELLIS

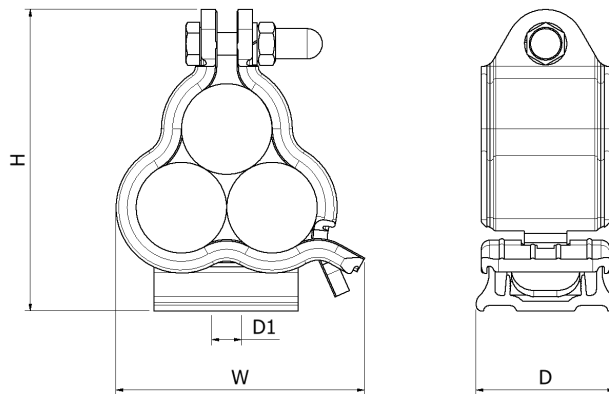
Holding Power

DATA SHEET

ALPHA

Patent No. UK Patent GB 240 5900

- 6000 SERIES ALUMINIUM FRAME
- ZINC PLATED STEEL M8 CLOSURE FIXINGS
- POLYESTER COATED FRAMES ARE AVAILABLE ON REQUEST
- SHORT CIRCUIT AND MECHANICALLY TESTED TO IEC 61914
- ABS APPROVED AND UL LISTED



PART NO. ALUMINIUM BASE	PART NO. POLYMER BASE	CABLE RANGE TREFOIL		DIMENSIONS (mm)				WEIGHT (g)
		MIN ϕ (mm)	MAX ϕ (mm)	W	H	D	FIXING HOLES (D1)	
ALP01-AN0	ALP01-AN1	23.2	25.1	76	93	48.5	1 x M10	168
ALP02-AN0	ALP02-AN1	25.1	27.1	79	96	48.5	1 x M10	178
ALP03-AN0	ALP03-AN1	27.1	29.3	82	101	48.5	1 x M10	185
ALP04-AN0	ALP04-AN1	29.3	31.7	86	105	48.5	1 x M10	195
ALP05-AN0	ALP05-AN1	31.7	34.2	91	110	48.5	1 x M10	205
ALP06-AN0	ALP06-AN1	34.2	37.0	96	116	48.5	1 x M10	217
ALP07-AN0	ALP07-AN1	37.0	40.0	101	121	48.5	1 x M10	229
ALP08-AN0	ALP08-AN1	40.0	43.2	106	127	48.5	1 x M10	241
ALP09-AN0	ALP09-AN1	43.2	46.7	113	134	48.5	1 x M10	255
ALP10-AN0	ALP10-AN1	46.7	50.5	119	141	48.5	1 x M10	272
ALP11-AN0	ALP11-AN1	50.5	54.6	127	148	48.5	1 x M10	288
ALP12-AN0	ALP12-AN1	54.6	59.0	135	156	48.5	1 x M10	307
ALP13-AN0	ALP13-AN1	59.0	63.8	144	165	48.5	1 x M10	327
ALP14-AN0	ALP14-AN1	63.8	69.0	153	175	48.5	1 x M10	348
ALP15-AN0	ALP15-AN1	69.0	74.6	163	186	48.5	1 x M10	372



POLYMER BASE
(WITH POLYESTER COATED FRAME)



ALUMINIUM BASE



THORNE &
DERRICK
INTERNATIONAL

Thorne & Derrick
+44 (0) 191 410 4292
www.powerandcables.com

ELLIS

Holding Power

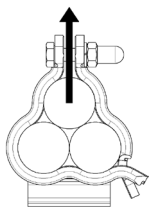
DATA SHEET

ALPHA

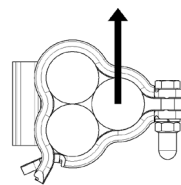
TESTING SUMMARY

Alpha Cleats have been tested in line with the International Standard 'Cable Cleats for Electrical Installations' IEC 61914:2015. Typical results are detailed below, please note that these testing values are maximums and safety factors appropriate to your application should be used:

PROPERTY	CLASSIFICATION CLAUSE IEC 61914	UNITS / CLASSIFICATION	TEST DATA
CLEAT TYPE	6.1.1, 6.1.3	METALLIC / COMPOSITE	-
TEMP. FOR PERMANENT APPLICATION	6.2	°C	-40 - 60
UV RESISTANCE	6.5.1	XENON ARC METHOD A	PASS APPLICABLE TO POWDER COATED AND POLYMER BASE OPTIONS
CORROSION RESISTANCE	6.5.2	REFER TO ELLIS	REFER TO ELLIS
IMPACT RATING	6.3.5,	VERY HEAVY	PASS
FLAME PROPAGATION TEST	10.0, 10.1	APPLICATION TIME $\geq 30s$	PASS
AXIAL LOAD RATING	6.4.3, 9.4	NEWTONS (N)	REFER TO ELLIS
LATERAL LOAD RATING	6.4.2, 9.3	NEWTONS (N)	HORIZONTAL - 500N VERTICAL - 500N
RESISTANCE TO ELECTROMECHANICAL FORCE (SHORT CIRCUIT TESTING)	6.4, 6.4.4, 9.5	CLEATS AT 300MM INTERVALS (WITHSTANDING ONE SHORT CIRCUIT)	73.4kA (REPORT No. PDL- 18.122.2) CABLE OD= $\varnothing 36mm$
RESISTANCE TO ELECTROMECHANICAL FORCE (SHORT CIRCUIT TESTING)	6.4, 6.4.5, 9.5	CLEATS AT 600MM INTERVALS (WITHSTANDING MORE THAN ONE SHORT CIRCUIT)	82kA (REPORT No. PDL- 18.XXX.X) CABLE OD= $\varnothing 36mm$



LATERAL LOAD 'VERTICAL' DIRECTION



LATERAL LOAD 'HORIZONTAL DIRECTION'



Conduit & cable hardware 4CG8 with
AH-2 & wet locations. Listed sizes:
ALP01-AN0 to ALP15-AN0.

LONDON UNDERGROUND
Alpha Cable Cleats are compliant with
the requirements of LUL-1085. Product
register number 360.

This data sheet is subject to change without notice. The information provided has been generated in laboratory conditions, as such results in use may vary.



**THORNE &
DERRICK**
INTERNATIONAL

Thorne & Derrick
+44 (0) 191 410 4292
www.powerandcables.com