

# Two Bolt Cleat (Aluminium)

## 370 Series



**The aluminium two bolt cleat is an LUL approved cable cleat which can be applied to all types of cable routes.**

### Features and Benefits

- Suitable for use with cable diameters 51 to 159mm.
- Manufactured from aluminium alloy.
- Two-piece, two fixing design.
- Can be double stacked on common fixings.
- Operating temperature -60°C to +105°C.
- Suitable for LV & HV cables.
- Can be used for all types of cable routes.
- Plain finish - for normal industrial areas or outdoor unpolluted areas.
- Epoxy coated versions available for harsh environments.
- Optional rubber liners available.
- Tested in accordance with BS EN 50368.
- LUL APR Product ID 1963

### Performance Data

| Test Standard     | EN 50368:2003  |
|-------------------|----------------|
| Type              | 6.1.1 Metallic |
| Impact Resistance | 6.2.5 V. Heavy |
| Lateral Load      | 18.1 kN        |
| Axial Load        | 11.4 -> 13.8kN |
| Needle Flame      | >120 secs      |

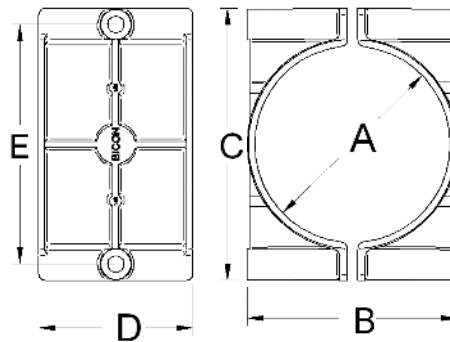
\* Technical Information subject to change without notice

## Technical Data

| Cable and Cleat Selection |              |                |     | Cleat Details   |     |     |     |           |            |
|---------------------------|--------------|----------------|-----|-----------------|-----|-----|-----|-----------|------------|
| Design Number             |              | Cable Diameter |     | Dimensions (mm) |     |     |     | Stud Size | Weight (g) |
| Standard                  | Epoxy Coated | A (mm)         |     | B (mm)          | C   | D   | E   |           |            |
|                           |              | Min            | Max | Max             |     |     |     |           |            |
| 370BA10                   | 370BB10      | 51             | 57  | 70              | 98  | 49  | 76  | M10       | 230        |
| 370BA11                   | 370BB11      | 57             | 64  | 76              | 98  | 49  | 76  | M10       | 240        |
| 370BA12                   | 370BB12      | 64             | 70  | 82              | 135 | 64  | 114 | M10       | 384        |
| 370BA13                   | 370BB13      | 70             | 76  | 88              | 135 | 64  | 114 | M10       | 384        |
| 370BA14                   | 370BB14      | 76             | 83  | 96              | 140 | 64  | 114 | M12       | 420        |
| 370BA15                   | 370BB15      | 83             | 89  | 101             | 140 | 64  | 114 | M12       | 490        |
| 370BA16                   | 370BB16      | 89             | 95  | 108             | 152 | 76  | 126 | M12       | 442        |
| 370BA17                   | 370BB17      | 95             | 101 | 114             | 152 | 76  | 126 | M12       | 442        |
| 370BA18                   | 370BB18      | 101            | 108 | 120             | 165 | 76  | 140 | M12       | 650        |
| 370BA19                   | 370BB19      | 108            | 114 | 126             | 165 | 76  | 140 | M12       | 650        |
| 370BA30                   | 370BB30      | 115            | 121 | 133             | 175 | 100 | 150 | M12       | 734        |
| 370BA31                   | 370BB31      | 121            | 127 | 139             | 175 | 120 | 150 | M12       | 720        |
| 370BA32                   | 370BB32      | 127            | 133 | 145             | 200 | 120 | 175 | M12       | 970        |
| 370BA33                   | 370BB33      | 133            | 140 | 152             | 200 | 120 | 175 | M12       | 956        |
| 370BA34                   | 370BB34      | 140            | 146 | 158             | 200 | 120 | 175 | M12       | 935        |
| 370BA35                   | 370BB35      | 146            | 152 | 164             | 210 | 120 | 185 | M12       | 893        |
| 370BA36                   | 370BB36      | 152            | 159 | 172             | 215 | 150 | 190 | M12       | 1325       |

### Method of Fixing

In all applications the cleat should be mounted on suitable fixings, see table for appropriate size.  
When mounting directly on channel, adapter plate 380AG02 should be used.



**Prysmian Cables & Systems Limited,**  
Oak Road, Wrexham Industrial Estate, Wrexham, LL13 9PH, UK

**Commercial Enquiries,**  
Sales Office Tel: 0845 767 8345,  
International Sales Office Tel: +44 2380 295481

[www.biconcomponents.co.uk](http://www.biconcomponents.co.uk)