

Orbit Cleat

379 Series



The 379 series should be used when you need the best level of protection in the harshest environments under the highest fault conditions.

Features and Benefits

- Suitable for use with cable diameters 33 to 150mm.
- Single bolt fixing. Fixed to the support structure with a single bolt.
- Operating temperatures -40°C to +120°C.
- Ergonomic design allows easy installation with single tool tightening from the top side.
- Manufactured from non-magnetic, corrosion resistant 316L stainless steel.
- Liners are made from LSOH materials.
- Suitable for standard and LSOH cable sheaths.
- Can be used in harsh environments.
- Can be used with all standard ladder and tray systems.
- Complies with IEC 61914.

Performance Data

BS EN 61914	Clause	Classification
Type	6.1.3	Composite
Operating Temperature	6.2	-40 °C to + 120 °C
Impact Resistance	6.3	V. Heavy
Needle Flame	10.1	>120secs
Corrosion	6.5.2	High, Outdoor - wet conditions

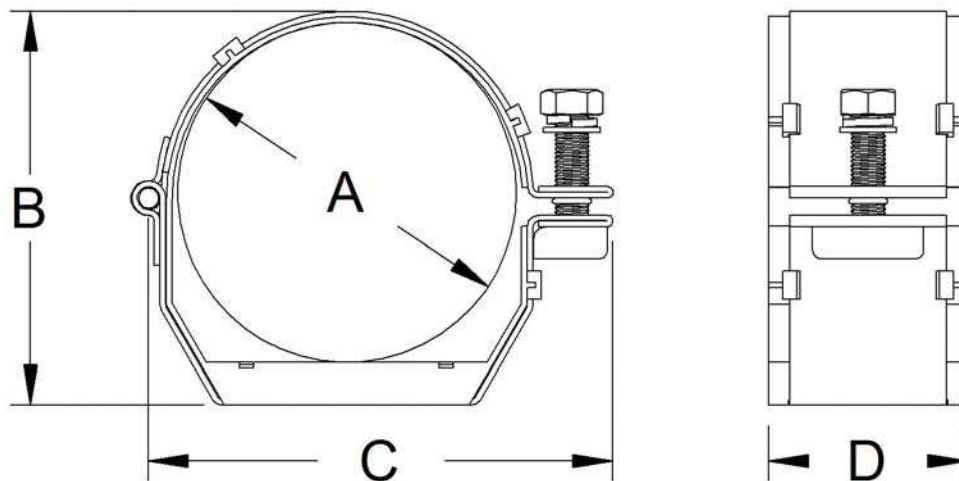
* Technical Information subject to change without notice

Technical Data

Cleat Selection			Cleat Details			
Design Number	Cable Diameter		Dimensions (mm)			
	A (mm)		B	C	D	Weight (g)
	Min	Max	Max			
379SC01	33	40	65	86	60	435
379SC02	38	46	71	92	60	467
379SC03	45	53	78	99	60	499
379SC04	52	60	85	106	60	530
379SC05	59	67	92	113	60	526
379SC06	66	74	99	120	60	558
379SC07	72	82	111	132	60	639
379SC08	82	92	120	141	60	683
379SC09	92	103	130	151	60	737
379SC10	103	113	139	160	60	784
379SC11	113	123	148	169	60	850
379SC12	122	132	157	178	60	865
379SC13	131	141	165	177	60	908
379SC14	140	150	175	196	60	950

* Technical information subject to change without notice

All cleats have a single central fixing hole for a 12mm diameter fixing bolt.



Prysmian Cables & Systems Limited,
Oak Road, Wrexham Industrial Estate, Wrexham, LL13 9PH, UK

Commercial Enquiries,
Sales Office Tel: 0845 767 8345,
International Sales Office Tel: +44 2380 295481

www.biconcomponents.co.uk