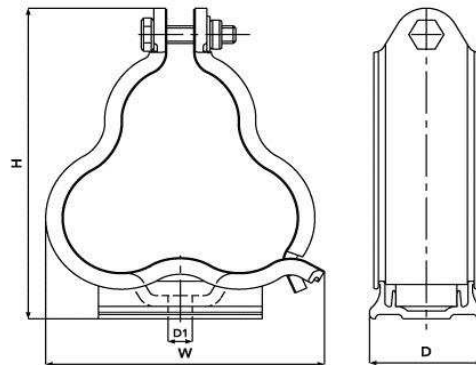


Alpha Trefoil Cleat Data Sheet

Alpha Cable Cleats are available for trefoil cable applications where moderate to low levels of short circuit withstand are required. The unique patented design allows rapid installation. Manufactured from extruded aluminium (6000 series), the product is lighter and tougher than the cast product it is designed to replace. The cleats are supplied with zinc plated closing fasteners. Alpha Cleats are available with two base options: Aluminium or polymer. The polymeric LSF zero halogen base can be used to prevent galvanic corrosion, where this could be a problem.



UK Patent GB 240 5900

Selection Table for Trefoil Cable Application

Aluminium Base	LSF Zero Halogen Base	Min dia. mm	Max dia. mm	W mm	H mm	D mm	Fixing Hole (mm)	Weight g
ALP-01-AN0	ALP-01-AN1	23.2	25.1	76	93	48.5	1 x M10	168
ALP-02-AN0	ALP-02-AN1	25.1	27.1	79	96	48.5	1 x M10	178
ALP-03-AN0	ALP-03-AN1	27.1	29.3	82	101	48.5	1 x M10	185
ALP-04-AN0	ALP-04-AN1	29.3	31.7	86	105	48.5	1 x M10	195
ALP-05-AN0	ALP-05-AN1	31.7	34.2	91	110	48.5	1 x M10	205
ALP-06-AN0	ALP-06-AN1	34.2	37.0	96	116	48.5	1 x M10	217
ALP-07-AN0	ALP-07-AN1	37.0	40.0	101	121	48.5	1 x M10	229
ALP-08-AN0	ALP-08-AN1	40.0	43.2	106	127	48.5	1 x M10	241
ALP-09-AN0	ALP-09-AN1	43.2	46.7	113	134	48.5	1 x M10	255
ALP-10-AN0	ALP-10-AN1	46.7	50.2	119	141	48.5	1 x M10	272
ALP-11-AN0	ALP-11-AN1	50.5	54.6	127	148	48.5	1 x M10	288
ALP-12-AN0	ALP-12-AN1	54.6	59.0	135	156	48.5	1 x M10	307
ALP-13-AN0	ALP-13-AN1	59.0	63.8	144	165	48.5	1 x M10	327
ALP-14-AN0	ALP-14-AN1	63.8	69.0	153	175	48.5	1 x M10	348
ALP-15-AN0	ALP-15-AN1	69.0	74.6	163	186	48.5	1 x M10	372

Testing Information

The Alpha Cleats have been tested in line with the International Standard of 'Cable Cleats for Electrical Installations' IEC 61914:2009. The results are detailed below:

Properties	IEC 61914:2009 Classification Clause	Units / Classification	Alpha Trefoil Cable Application Test Data
Cleat Type	6.1, 6.1.1	Metallic or Composite	-
Impact Resistance	6.3, 6.3.5, 9.2	Very Heavy Classification (5.0kg @ 400mm)	Pass
Resistance to Electromechanical Force. (Undertaken at Damstra Laboratories NL).	6.4, 6.4.3, 9.5	kA @ 600mm Centres (withstanding one short circuit)	96 (Peak) (Report No. PDL-06.137.1.1)
Resistance to Electromechanical Force. (Undertaken at Damstra Laboratories NL).	6.4, 6.4.4, 9.5	kA @ 600mm Centres (withstanding more than one short circuit)	72.4 (Peak) (Report No. PDL-07.161.1)
Temperature for Permanent Application	6.2	°C	-40 to 90 (60 for polymeric base version)
Needle Flame Test	10.0, 10.1	Application Time (seconds)	>120
Lateral Load Test	9.3	Newtons (N)	Refer to Ellis Patents for further details.
Axial Movement Test	9.4	Newtons (N)	400



London Underground

The Alpha Cable Cleats are compliant with the requirements of London Underground Standard 1-085. Product Register No. 360.

