



Cembre



Certified Quality Management System



Certified Environmental Management System



Certified Occupational Health & Safety Management System

BATTERY OPERATED HYDRAULIC CRIMPING TOOL OUTIL HYDRAULIQUE DE SERTISSAGE SUR BATTERIE HYDRAULISCHES AKKU-PRESSWERKZEUG HERRAMIENTA HIDRÁULICA DE CRIMPADO A BATERÍA UTENSILE OLEODINAMICO DA COMPRESIONE A BATTERIA

B1300-C B1300-CA B1300-CE B1300-CT
B1300L-C B1300L-CA B1300L-CE B1300L-CT



ENGLISH
FRANÇAIS
DEUTSCH
ESPAÑOL
ITALIANO

OPERATION AND MAINTENANCE MANUAL	5
NOTICE D'UTILISATION ET ENTRETIEN	13
BEDIENUNGSANLEITUNG	21
MANUAL DE USO Y MANTENIMIENTO	29
MANUALE D'USO E MANUTENZIONE.....	37

FIG. / BILD 1

Battery
Batterie
Akku
Batería
Batteria

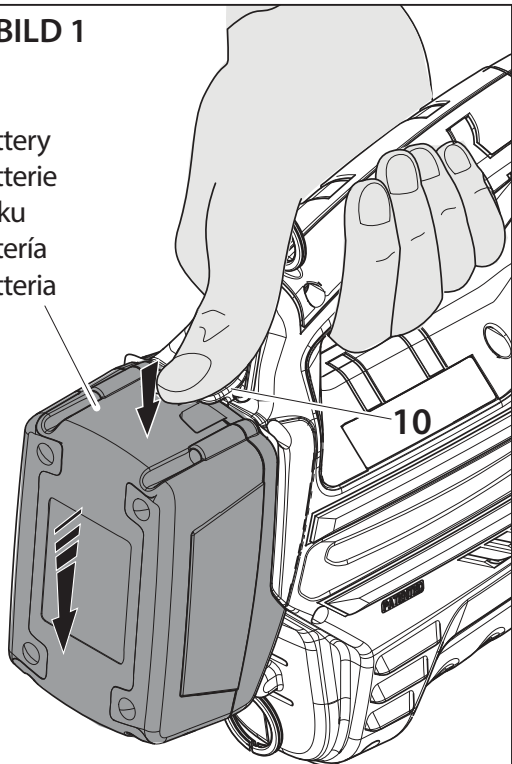
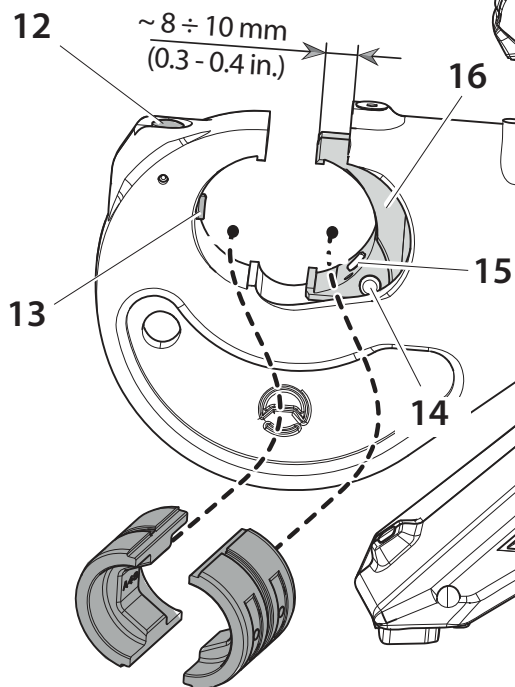


FIG. / BILD 2



Die set - Matrices - Presseinsätze - Matrici

FIG. / BILD 3

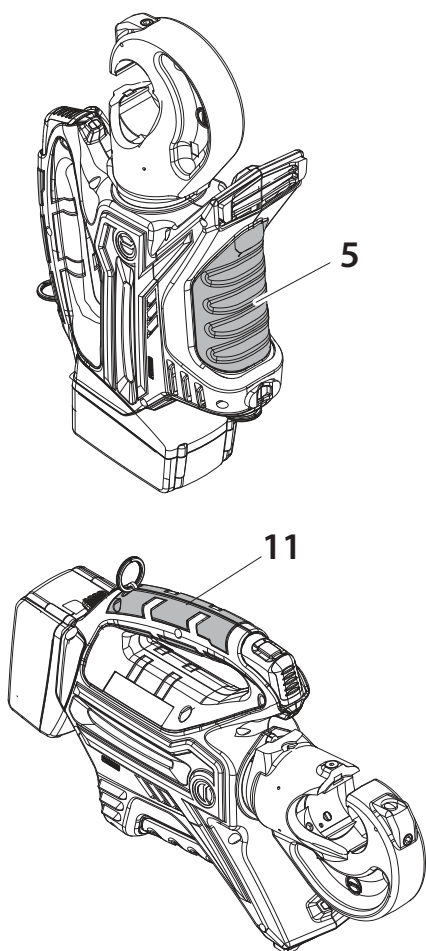


FIG. / BILD 4

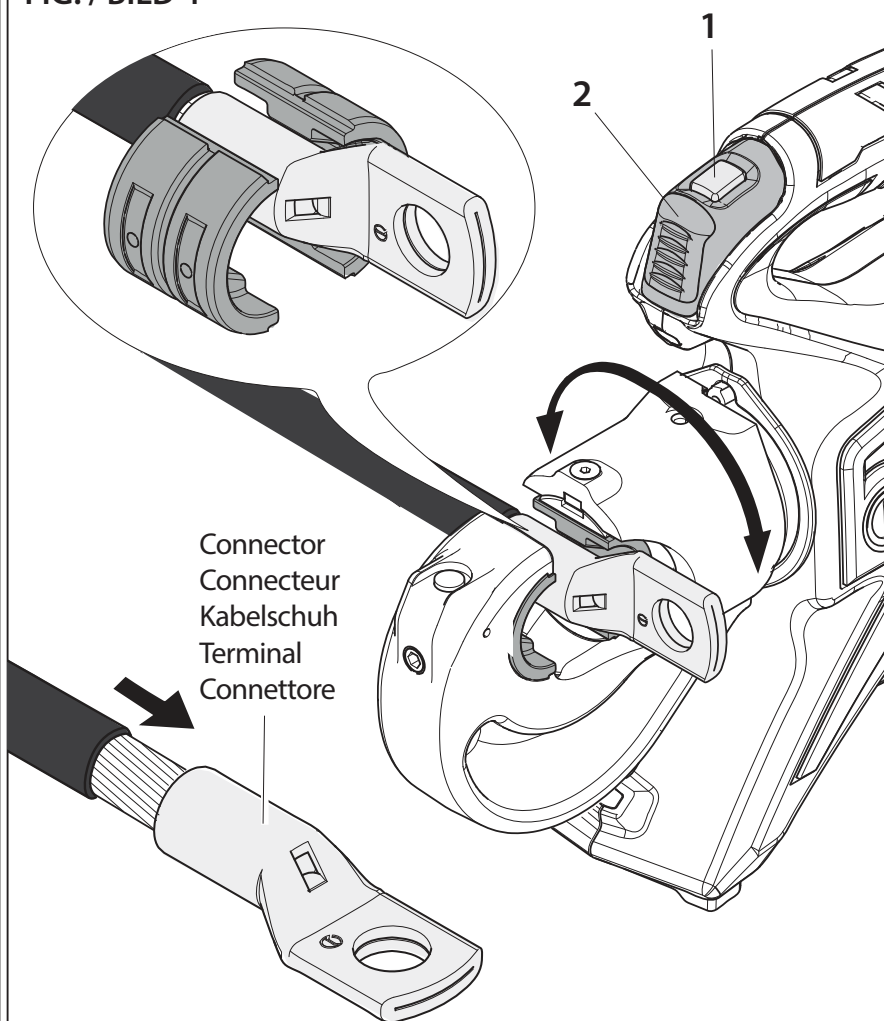







FIG. / BILD 5







1	OPERATING BUTTON / GACHETTE DE COMMANDE / STARTKNOPF / BOTÓN DE ACCIONAMIENTO / PULSANTE DI AZIONAMENTO
2	PRESSURE RELEASE BUTTON / GACHETTE DE DECOMPRESSION / DRUCKABLASSKNOPF / BOTÓN DESBLOQUEO PRESIÓN / PULSANTE SBLOCCO PRESSIONE
3	LED WORKLIGHT / ECLAIRAGE PAR LED / LED ARBEITSLICHT / LUCES LED / ILLUMINAZIONE LED
4	C-HEAD / TETE C / C-KOPF / CABEZA C / TESTA A C
5	HANDLE / POIGNEE / GRIFF / EMPUÑADURA / IMPUGNATURA
6	TOUCH BUTTON FOR MENU SELECTION / TOUCHE POUR SELECTIONNER LE MENU / MENÜ WAHL TASTE / TECLA PARA SELECCIONAR EL MENÚ / TASTO A SFIORAMENTO PER SELEZIONE MENU
7	RING FOR SHOULDER STRAP / ANNEAU POUR BANDOULIERE / TRAGERIEMENRING / ANILLO PARA CORREA / ANELLO AGGANCIAMENTO TRACOLLA
8	ECRAN / DISPLAY
9	BATTERY / BATTERIE / AKKU / BATERÍA / BATTERIA
10	BATTERY RELEASE / DEBLOCAGE BATTERIE / AKKU ENTRIEGELUNG / DESBLOQUEO BATERÍA / SBLOCCO BATTERIA
11	HANDLE / POIGNEE / GRIFF / EMPUÑADURA / IMPUGNATURA

**WARNING SYMBOLS - SYMBOLES D'AVERTISSEMENT - WARNSYMBOL -
SÍMBOLOS DE ADVERTENCIA - SIMBOLI DI AVVERTENZA**

Tool - Outil - Werkzeug - Herramienta - Utensile

	<ul style="list-style-type: none"> - Before using the tool, carefully read the instructions in this manual. - Avant d'utiliser cet outil, lire attentivement les instructions de cette notice. - Vor Inbetriebnahme unbedingt die Bedienungsanleitung durchlesen. - Antes de utilizar la herramienta, leer atentamente las instrucciones en este manual. - Prima di utilizzare l'utensile, leggere attentamente le istruzioni riportate in questo manuale.
	<ul style="list-style-type: none"> - When operating the tool, keep hands away from the danger zone. - Au cours du sertissage, tenir les mains éloignées de la zone de travail. - Während des Verpressens nicht mit den Händen in den Pressbereich gelangen. - Durante su utilización, mantenga las manos fuera de la zona de peligro. - Durante l'utilizzo, mantenere le mani fuori dalla zona di pericolo.
 	<ul style="list-style-type: none"> - Do not operate when dies are not in place. - Insérer les matrices avant d'actionner l'outil. - Nicht ohne Presseinsatzpaar betätigen. - No poner en presión sin matrices. - Non mandare in pressione l'utensile senza le matrici inserite.
	<ul style="list-style-type: none"> - User information (Directives 2002/95/EC and 2002/96/EC), see page 12. - Information pour les utilisateurs (Directives 2002/95/CE et 2002/96/CE) voir page 20. - Information für den Benutzer (Richtlinien 2002/95/EG und 2002/96/EG) siehe Seite 28. - Informe para los usuarios (Directivas 2002/95/CE y 2002/96/CE) vease página 36. - Informazione agli utenti (Direttive 2002/95/CE e 2002/96/CE) vedere pagina 42.

Battery - Batterie - Akku - Batería - Batteria

 	<ul style="list-style-type: none"> - Never throw batteries into fire or water. - Jamais jeter les batteries dans le feu ou dans l'eau. - Werfen Sie Akkus nicht in das Feuer oder Wasser. - Nunca tire las baterías al fuego o al agua - Mai gettare le batterie nel fuoco o in acqua.
	<ul style="list-style-type: none"> - Always recycle the batteries. - Recycler toujours les batteries. - Verbrauchte Akkus stets dem Recycling zuführen. - Reutilizar siempre las baterías. - Riciclare sempre le batterie.
	<ul style="list-style-type: none"> - Do not discard batteries into domestic refuse or waste disposal. - Ne pas jeter de batteries dans une poubelle ou autre lieu non prévu à cet effet. - Verbrauchte Akkus nicht in den Hausmüll werfen. - No tirar las baterías al cubo de basura o lugar parecido. - Non buttate le batterie fuori uso nei cestini della spazzatura o luoghi simili.

1. GENERAL CHARACTERISTICS

		B1300-C	B1300L-C	
Application range		suitable for installing electrical compression connectors on conductors up to 400 mm ² (800 MCM)		
Rated crimping force	kN (US sh. ton)	132 (14.84)		
Minimum crimping force	kN (US sh. ton)	125,2 (14.07)		
Minimum operating pressure	bar (psi)	692 (10,037)		
Dimensions (Fig. 6 and 7 page 45)	mm (inches)	406 x 239 x 102.5 (16 x 9.4 x 4)	471 x 239 x 102.5 (18.5 x 9.4 x 4)	
Jaw opening	mm (inches)	26 (1.02)	42 (1.65)	
Weight with battery	kg (lbs)	6,5 (14.3)	8 (17.6)	
Motor	V DC	18		
Operating temperature	°C (°F)	-15 to +50 (+5 to +122)		
Recommended oil		AGIP ARNICA 32 ou équivalents.		
Operating speed		twin speed operation and automatic switching from a rapid advancing speed of the ram to a slower, more powerful crimping speed		
Safety		maximum pressure valve		
Rechargeable battery	type	CB1840L Li-Ion		
	V / Ah (Wh)	18 / 4.0 (72)		
Weight	kg (lbs)	0,66 (1.45)		
Bruit aérien sonore ⁽¹⁾	dB	L _{pA} 66,9 (A)	L _{pCPeak} 86,9 (C)	L _{WA} 74,9 (A)
Vibrations ⁽²⁾	m/s ²	0,398		

⁽¹⁾ Directive 2006/42/EC, annexe 1, point 1.7.4.2 letter u)

L_{pA} = weighted continuous acoustic pressure level equivalent.

L_{pCPeak} = maximum value of the weighted acoustic displacement pressure at the work place.

L_{WA} = acoustic power level emitted by the machine.

⁽²⁾ (Directive 2006/42/EC, annexe 1, point 2.2.1.1)

Weighted root mean square in frequency of the acceleration the upper limbs are exposed to for each biodynamic reference axis. Tests carried out in compliance with the indications contained in UNI ENV 25349 and UNI EN 28662 part 1st Standards, and under operating conditions much more severe than those normally found.

		B1300-C B1300L-C	B1300-CE B1300L-CE	B1300-CT B1300L-CT	B1300-CA B1300L-CA
Battery charger ASC30-36	type	EU 27044000	UK 27045000	AUS/NZ 27047000	USA/CAN 27046000
Input	V / Hz (W)	220 - 240 / 50 - 60 (85)			115 / 60 (85)

WARNING



Do not use the tool for purposes other than those intended by Cembre. The operator should concentrate on the work being performed and be careful to maintain a balanced working position.



Before starting work on electrical equipment, please ensure that either there are no live parts in the immediate working area or that precautions are taken for working near live parts in accordance with EN50110-1.



Do not use this tool on or near energised conductors without proper personal protective equipment. Failure to observe this warning could result in severe injury or death.



The tool is unsuitable for continuous use and should be allowed to cool down following uninterrupted, successive crimping operations; for instance, having exhausted a fully charged battery in one session, delay battery replacement for a few minutes.



Protect the tool from rain and moisture. Water will damage the tool and battery. Electro-hydraulic tools should not be operated in pouring rain.

2. INSTRUCTIONS FOR USE



IMPORTANT: *Never pressurise the tool without inserting the dies, this could cause damage to the head and the ram.*

The part reference includes the following (Ref. to Fig. 8 page 46):

- A - Hydraulic crimping tool.
- B - Li-Ion rechargeable battery (2 pcs).
- C - Battery charger (model depends on the tool version).
- D - Shoulder strap.
- E - Plastic carrying case.

2.1) Preparation

The tool can be easily carried using either the main handle (11) or the shoulder strap attached to the two rings (7) (Ref. to Fig. 5).

The main operating positions are : horizontal standing on its feet and vertical standing on its battery. In addition to the main handle (11) the lower handle (5) allows a safer and more balanced grip when using two hands to hold the tool (Ref. to Fig. 3).



Before starting any work, check the battery charge (Ref. to § 2.8) and recharge if necessary, following the instructions in the battery charger user manual.

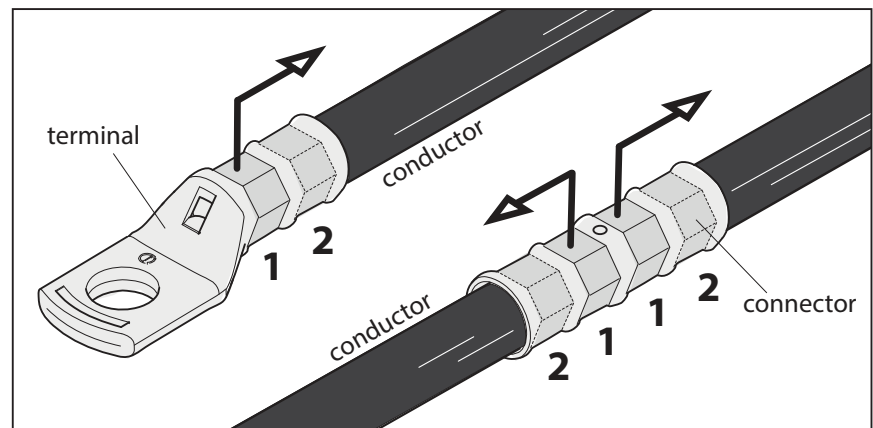
- ▶ To replace the battery, grip the tool as illustrated in Figure 1; press the release button (10) and push the battery downward unlocking it.
Insert a charged battery from the bottom by sliding it into the guides until it locks.
- ▶ The display shows the operational parameters of the tool; to customise them proceed as described in § 2.7.
- ▶ Select the appropriate die set for the connector.



When introducing or changing dies, the battery must first be removed from the tool.

- ▶ Insert one die into the upper seat of the tool head (Ref. to Fig. 2) until it is locked by retaining pin (13). To ease the die insertion keep release pin (12) depressed.
Insert one die into the seat on the ram until it is locked by retaining pin (15).
To ease this operation, operate the tool (see § 2.2) to advance the ram (16) 8-10 mm (0.3 - 0.4 in.) and keep release pin (14) depressed.
- ▶ Insert the conductor into the connector (Ref. to Fig. 4).
- ▶ Position the connector between the dies and ensure the correct location of the crimp (Ref. to Fig. 4).

NOTE: when more compression is required, proceed according to the sequence and direction indicated in the figure, uniformly spacing the compressions.

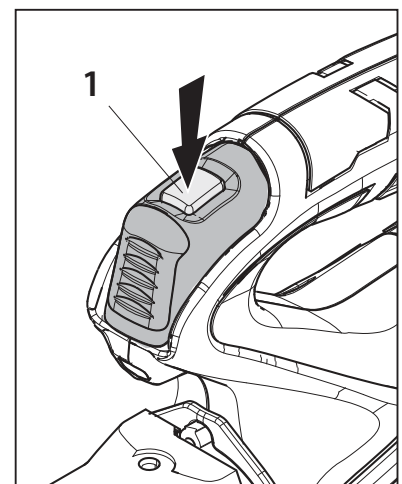


2.2) Die advancement

- ▶ Press operating button (1) (Ref. to Fig. 4) to activate the motor-pump and advance the lower die.
- ▶ To halt the advancement, release operating button and the motor will cut out.



Make sure the dies are exactly positioned on the desired crimp point otherwise re-open dies following instructions as per § 2.4 and reposition the connector.



2.3) Compression

- ▶ By keeping operating button (1) pressed, the motor continues to operate: the ram will gradually move forward until the two dies touch.
- ▶ The motor will stop automatically when the set pressure has been reached.



To perform proper compression, press and hold the operating button (1) until the motor stops automatically.

NOTE: To display the momentary force or pressure during the work cycle, select the appropriate display from the menu (Ref. to § 4). When the operating button is released before the motor stops automatically, the display will show the peak force (F_p) or the peak pressure (P_p) reached at that instant.

To complete the work, press the operating button again until the motor stops automatically; the display will show the maximum force or pressure reached followed by 'OK' to confirm correct operation.

$F_m = 125.2 \text{ kN}$
 $F_p = 102.3 \text{ kN}$

$F_m = 125.2 \text{ kN}$
OK

$P_m = 692 \text{ bar}$
 $P_p = 565 \text{ bar}$

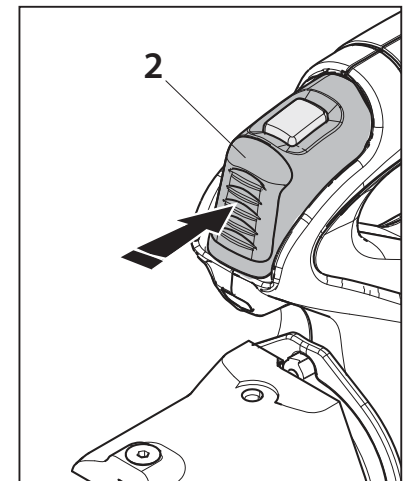
$P_m = 692 \text{ bar}$
OK

i *The display 'ERROR', combined with a beep and the LEDs flashing, indicates an incorrect crimping procedure caused by the work cycle being interrupted before the control parameters (force/pressure) of the tool are reached. This error appears when the pressure release button has been operated and the tool has already reached a pressure > 100 bar. In this case, repeat the compression by pressing and holding the operating button until the motor stops automatically.*

ERROR

2.4) Release of dies

- By operating the pressure release button (2), the ram will retract and open the dies.
- To take the dies off their guide, sliding them pushing the release pins (12 and 14) (Ref. to Fig. 2).



2.5) LED Worklights

Whilst the tool is in operation, the compression area is illuminated by two high luminosity LED Worklights that switch off automatically at the end of the cycle.

i *The LED Worklights can be disabled by following the procedure described in § 4.2.*

2.6) Head rotation

For ease of operation, the tool head can rotate through 180°, allowing the operator to work in the most comfortable position.

⚠ *Do not attempt to rotate the head when the hydraulic circuit is pressurised.*

2.7) Capacitive touch button for menu selection

This button is located under the display and allows selection of various screens (Ref. to § 4); it only works when the display is on. Wearing gloves or using other objects may inhibit the operation of the button, therefore use a bare finger to apply only a light touch.

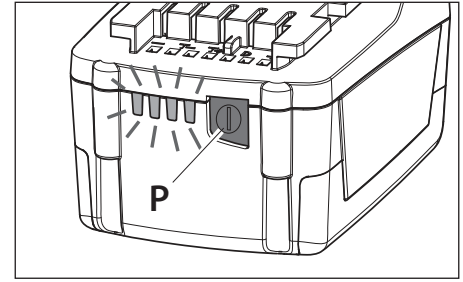




Do not apply pressure to or stab at the touch button, a light touch using a bare finger is sufficient. The command pulse is sent when the finger releases the button.

2.8) Battery status

- ▶ The battery is equipped with LED indicators that indicate the remaining battery life at any time by pressing the adjacent button (P):
 - 4 LEDs illuminated: fully charged
 - 2 LEDs illuminated: 50 % capacity
 - 1 LED flashing: minimum charge, replace the battery.
- ▶ With the battery inserted into the tool, the remaining battery life can also be checked on the display, via touch button selection (Ref. to § 7).



The screen shown alongside indicates that the battery voltage has dropped below a minimum safety threshold; under these conditions the tool will not start, and it is necessary to recharge or replace the battery. The approximate time to fully recharge a battery is about 80 minutes.



After each working cycle, and after the extraction of the battery from the tool, an integrated battery cut-off device will operate after 70 s approx. Then the LED nearest to button (P) will flash 5 times each 14 s approx. The battery will be reactivated when it is reintroduced into the tool and the operating button is pressed.

2.9) Using the battery charger

Carefully follow the instructions in the battery charger user manual.

3. MAINTENANCE

The tool is robust, completely sealed, and requires very little daily maintenance. Compliance with the following points, should help to maintain its optimum performance:

3.1) Thorough cleaning

Dust, sand and dirt are a danger for any hydraulic device.

Every day, after use, the tool must be wiped with a clean cloth taking care to remove any residue, especially close to pivots and moveable parts.

Do not use hydrocarbons to clean the rubber parts.

3.2) Storage case

When not in use, the tool should be stored and transported in the plastic case, to prevent damage. The case, type VAL P41, is suitable for storing the tool, the accessories and up to 12 die sets and pre-prepared compression connectors.

VAL P41: Size 691x456x176 mm (27.2x17.9x6.9 inches). Weight 4 kg (8.8 lbs).

4. DISPLAY

The OLED display switches on automatically when the operating or pressure release buttons are pressed, and off after 60 seconds of non-operation.

The display shows:

- The main operational parameters of the tool processed by the circuit board, such as peak pressure or force reached.
- Information on the condition of the tool, such as the charge level, the battery temperature and maintenance requirements.
- Any operational or procedural ERRORS.

Use the touch button (8) to navigate through the menu screens to manage INFORMATION AND SELECTION:

4.1) INFORMATION SCREENS: display a pre determined parameter which will then appear each time the tool is started and during the entire work cycle.

F_m = 125.2 kN
F_p = 94.5 kN

F_m: Minimum set force, expressed in kN.
F_p: Peak force reached, expressed in kN,
(screen as factory setting)



F_m = 14.07 ton
F_p = 10.61 ton

F_m: Minimum set force, expressed in USA sh. tons.
F_p: Peak force reached, expressed in USA sh. tons.



P_m = 692 bar
P_p = 522.3 bar

P_m: Minimum set pressure, expressed in bar.
P_p: Peak pressure reached, expressed in bar.



P_m = 10037 psi
P_p = 7575 psi

P_m: Minimum set pressure, expressed in psi.
P_p: Peak pressure reached, expressed in in psi.



Battery charge level.



1000
-12000

No. of cycles performed.
No. of cycles before scheduled recommended maintenance.



B1300
NR 14AF035

Cembre logo, tool model.
Tool serial no



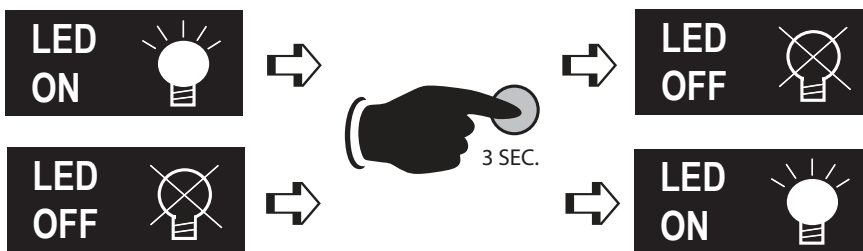
To make a selected screen operational and appear at each start-up of the tool, operate the touch button for at least 3 seconds; a continuous beep will confirm the setting.



The capacitive menu selection button may not work if touched using objects or when wearing gloves, therefore always operate it using a bare finger.

4.2) SELECTION SCREENS: control parameters that cannot be set as automatic upon start-up of the tool, can be changed by operating the touch button:

Enabling/disabling the LED Worklights (factory setting LED ON)



When the screen is displayed, touch the button for at least 3 seconds to deactivate for reactivate operation of the LED Worklights during tool use; a continuous beep will confirm the setting.

Return to original factory settings / firmware version

When the 'RESET' screen is displayed, return the tool to its factory setting by operating the touch button for at least 3 seconds; a beep will confirm the setting.

RESET
SW:S1J41AH

The RESET screen also shows the firmware version of the circuit board.

4.3) WARNINGS: these appear during operation and notify the operator of the status of the tool:



LOW BATTERY: replace the battery.

NOTE: when the battery Vage falls below a minimum safety threshold, the tool will not start; although it is still possible to end the work cycle in progress.



BATTERY TEMPERATURE HIGH: remove the battery and wait until it cools down.








NO. OF CYCLES TO MAINTENANCE REACHED:

the tool continues to work however, it is recommended that it is sent to Cembre for a complete overhaul (see § 5).

NOTE: this message, together with a beep, will reappear when the tool has been idle for 30 seconds.

4.4) ERRORS: these appear during operation, combined with a beep and flashing LED Worklights, to notify the operator of procedural or operational errors.

Message	Error description	Solution
	The pressure release button (2) was pressed before the control parameters were reached (Force/ Pressure).	Repeat the work cycle and wait for the motor to stop automatically.
	Abnormal power consumption of the motor for more than 3 seconds. The tool stops.	Wait for the display to turn off (60 sec.) or remove and re-insert the battery, then re-start the tool. If the error occurs frequently, contact Cembre.
	Output voltage of the pressure transmitter is out of the pre-set range.	Repeat the work cycle; if the error occurs frequently, contact Cembre.
	Failure to reach the set pressure within 30 seconds of continuous operation of the machine.	Repeat the work cycle; if the error occurs frequently, contact Cembre.
	Overcharging of the battery with protection tripping. The tool stops.	Wait for the display to turn off (60 sec.) or remove and re-insert the battery, then re-start the tool. If the error occurs frequently, contact Cembre.



Errors are displayed for about 30 seconds before being reset, but will display repeatedly in the event of permanent anomalies.

– Following information applies in member states of the European Union:

USER INFORMATION in accordance with “Directives 2002/95/EC and 2002/96/EC.

The ‘Not in the bin’ symbol above when shown on equipment or packaging means that the equipment must, at the end of its life, be disposed of separately from other waste.

The separate waste collection of such equipment is organised and managed by the manufacturer. Users wishing to dispose of such equipment must contact the manufacturer and follow the prescribed guidelines for its separate collection. Appropriate waste separation, collection, environmentally compatible treatment and disposal is intended to reduce harmful environmental effects and promote the reuse and recycling of materials contained in the equipment. Unlawful disposal of such equipment will be subject to the application of administrative sanctions provided by current legislation.

1. CARACTERISTIQUES GENERALES

		B1300-C	B1300L-C	
Domaine d'application:		conçue pour le sertissage des connecteurs électriques jusqu'à 400 mm ² (800 MCM)		
Force nom. de sertissage	kN (US sh. ton)	132 (14.84)		
Force min. de sertissage développée	kN (US sh. ton)	125,2 (14.07)		
Pression min. de travail	bar (psi)	692 (10,037)		
Dimensions (Fig. 6 et 7 pag. 45)	mm (inches)	406 x 239 x102.5 (16 x 9.4 x 4)	471 x 239 x102.5 (18.5 x 9.4 x 4)	
Ouverture de la chape	mm (inches)	26 (1.02)	42 (1.65)	
Poids avec batterie	kg (lbs)	6,5 (14.3)	8 (17.6)	
Moteur	V DC	18		
Température de fonctionnement:	°C (°F)	-15 à +50 (+5 à +122)		
Huile recommandée:		AGIP ARNICA 32 ou équivalents.		
Avance rapide:		l'outil passe automatiquement de la vitesse rapide d'approche des matrices à la vitesse lente de sertissage		
Sécurité		valve de surpression		
Batterie rechargeable	type	CB1840L Li-Ion		
	V / Ah (Wh)	18 / 4.0 (72)		
Poids	kg (lbs)	0,66 (1.45)		
Bruit aérien sonore ⁽¹⁾	dB	L _{pA} 66,9 (A)	L _{pCPeak} 86,9 (C)	L _{WA} 74,9 (A)
Vibrations ⁽²⁾	m/s ²	0,398		

(1) (Directive 2006/42/CE, annexe 1, point 1.7.4.2, lettre u)

L_{pA} = niveau de pression sonore continue équivalente pondérée A sur le poste de travail.

L_{pCPeak} = niveau de pression sonore instantanée pondérée C sur le poste de travail.

L_{WA} = niveau de puissance acoustique dégagée par la machine.

(2) (Directive 2006/42/CE, annexe 1, point 2.2.1.1)

Valeur quadratique moyenne pondérée en fréquence de l'accélération à laquelle sont exposés les membres supérieurs pour chaque axe biodynamique de référence. Relevés réalisés suivant les indications des Normes UNI ENV 25349 et UNI EN 28662 partie 1a, dans des conditions de service largement représentatives des conditions d'emploi normales.

		B1300-C B1300L-C	B1300-CE B1300L-CE	B1300-CT B1300L-CT	B1300-CA B1300L-CA
Chargeur de batterie	type	EU 27044000	UK 27045000	AUS/NZ 27047000	USA/CAN 27046000
ASC30-36		220 - 240 / 50 - 60 (85)			115 / 60 (85)
Alimentation	V / Hz (W)	220 - 240 / 50 - 60 (85)			115 / 60 (85)

AVERTISSEMENT



Ne pas utiliser cet outil à des fins différentes que celles prévues par le constructeur. Restez bien attentif tout au long du travail, ne soyez pas distrait, ne perdez pas l'équilibre pendant l'utilisation.



Avant d'entreprendre des travaux sur des équipements électriques, veuillez vous assurer qu'aucun élément aux abords de la zone de travail n'est sous tension. Dans le cas contraire, veuillez prendre les précautions nécessaires pour opérer à proximité d'éléments sous tension, en conformité avec la norme EN50110-1.



Ne pas utiliser cet outil sur ou à côté de conducteurs sous tension, sans protection individuelle adéquate. La non observation de cette précaution peut provoquer des lésions graves ou mortelles.



L'outil n'est pas conçu pour une utilisation en continu; après avoir effectué une quantité de sertissages consécutifs à partir d'une batterie complètement chargée, au moment du remplacement de la batterie, nous suggérons d'observer une période d'arrêt pour permettre le refroidissement de l'outil.



Protéger l'outil de la pluie et de l'humidité. L'eau pourrait endommager l'outil et la batterie, les outils hydro-électriques ne devraient pas être utilisés sous la pluie.

2. INSTRUCTIONS D'UTILISATION



IMPORTANT: *Ne jamais mettre l'outil sous pression sans les matrices insérées, cela pourrait endommager les sièges de la tête et du piston.*

L'ensemble comprend (Voir Fig. 8 page 46):

A - Outil hydraulique le sertissage

B - Batterie rechargeable Li-Ion (2 pcs)

C - Chargeur de batterie (différent en fonction de la version de l'outil).

D - Bandoulière.

E - Coffret de rangement.

2.1) Mise en service

L'outil peut être transporté facilement grâce à sa poignée principale (11) et à la bandoulière accrochée par deux anneaux (7) (Voir Fig. 5).

Les positions de travail principales sont: horizontale appuyé sur les pieds et verticale appuyé sur la batterie. Au-delà de la poignée principale (11) dans la partie inférieure est disponible une poignée supplémentaire (5) qui permet une prise sûre et équilibrée de façon de soutenir l'outil à 2 mains (Voir Fig. 3).



Avant de commencer toute opération, contrôler l'état de charge de la batterie (voir § 2.8) et, si nécessaire, la recharger en suivant les instructions contenues dans le manuel d'utilisation du chargeur de batteries.

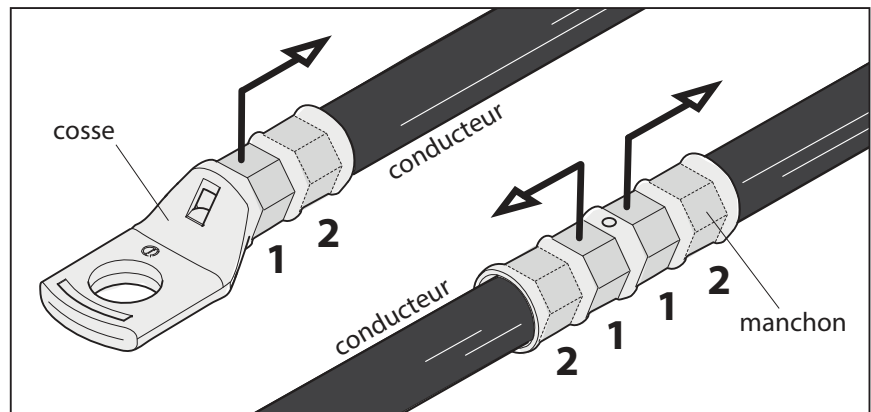
- ▶ Pour remplacer la batterie, il est plus facile de tenir l'outil comme indiqué sur la figure 1; appuyez sur le mécanisme de déblocage (10) et enfoncez vers le bas la batterie en la décrochant. Insérez la batterie chargée à partir du bas en la faisant coulisser sur les guides jusqu'au blocage complet.
- ▶ L'écran permet d'afficher les paramètres opérationnels de l'outil. Pour personnaliser ces derniers, suivre les instructions décrites au § 2.7.
- ▶ Choisir le couple de matrices approprié pour le type de connexion à réaliser; pour cela, consulter le catalogue.



Les opérations d'introduction ou de remplacement des matrices doivent être effectuées avec l'outil dépourvu de batterie.

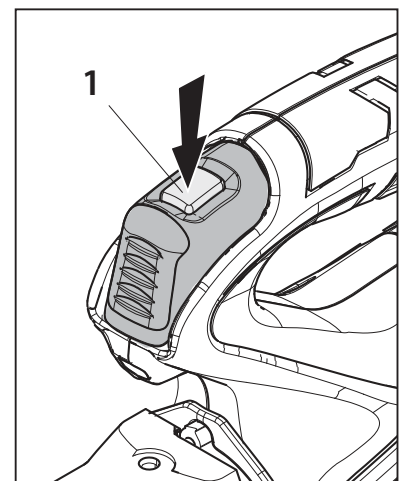
- ▶ Insérer la matrice dans le guide supérieur de la tête de l'outil (Voir Fig. 2) jusqu'à son verrouillage par l'axe (13). Cette opération n'est possible qu'en appuyant sur l'axe de déblocage (12). Actionner l'outil (voir § 2.2) pour faire avancer de 8-10 mm (0.3 - 0.4 in.) le piston (16) et insérer la matrice dans le guide du piston jusqu'à son verrouillage par l'axe (15). Cette opération n'est possible qu'en appuyant sur l'axe de déblocage (14).
- ▶ Insérer la matrice dans le guide du piston jusqu'à son verrouillage par l'axe (15), cette opération n'est possible qu'en appuyant sur l'axe de déblocage (14).
- ▶ Insérer le conducteur dans le connecteur (Voir Fig. 4).
- ▶ Positionner ce dernier entre les deux matrices en alignant la zone à sertir avec l'empreinte des matrices (Voir Fig. 4).

REMARQUE : s'il est nécessaire de procéder à plusieurs sertissage de cosse ou de manchon, suivre la séquence et la direction reportée sur l'illustration, en espaçant les empreintes de façon uniforme.



2.2) Avance des matrices

- ▶ Appuyer sur la gâchette de commande (1) (Voir Fig. 4) pour mettre en marche le groupe moteur pompe; les matrices commencent alors à se rapprocher du connecteur.
- ▶ La gâchette de commande relâchée, le moteur et l'avance des matrices cessent immédiatement.



S'assurer que les matrices sont bien positionnées sur la zone à sertir, sinon desserrer les matrices en suivant les instructions du § 2.4 et repositionner le connecteur.

2.3) Sertissage

- ▶ En maintenant pressée la gâchette de commande (1), on maintient la rotation du moteur; le piston avance progressivement jusqu'à ce que les matrices arrivent en butée l'une contre l'autre.
- ▶ L'outil s'arrêtera automatiquement dès qu'il aura atteint la pression de tarage.



Pour effectuer un bon sertissage, maintenir la gâchette de commande (1) pressée jusqu'à l'arrêt automatique du moteur.

REMARQUE: Pour afficher la force ou la pression en temps réel, lors du cycle de travail, configurer les écrans correspondants (voir § 4). En relâchant le bouton de démarrage avant l'arrêt automatique du moteur, l'écran affichera les valeurs de pic de la force (F_p) et de la pression (P_p) atteintes à ce moment.

Pour terminer l'opération, ré-appuyer sur la gâchette de commande jusqu'à l'arrêt automatique du moteur; l'écran affichera la force ou la pression maximale atteinte, suivie de l'inscription « OK » indiquant que l'opération a été correctement effectuée.

$F_m = 125.2 \text{ kN}$
 $F_p = 102.3 \text{ kN}$

$F_m = 125.2 \text{ kN}$
OK

$P_m = 692 \text{ bar}$
 $P_p = 565 \text{ bar}$

$P_m = 692 \text{ bar}$
OK

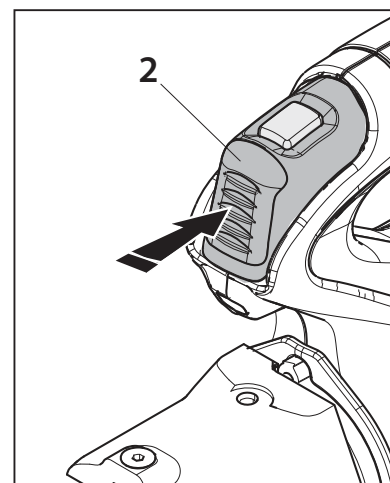
i Le message « ERROR » associé à l'avertisseur sonore ainsi que le clignotement des LED indiquent que la procédure de sertissage n'a pas été correctement effectuée en raison d'un arrêt anticipé du cycle de travail avant d'avoir atteint les paramètres réglés (force/pression) de l'outil.

Ce message d'erreur s'affiche lorsque l'opérateur appuie sur la gâchette de déblocage pression après que l'outil ait atteint une pression $> 100 \text{ bar}$. Dans ce cas, effectuer à nouveau le sertissage en maintenant la gâchette de commande appuyée jusqu'à l'arrêt automatique du moteur. Pour terminer l'opération, ré-appuyer sur la gâchette de commande jusqu'à l'arrêt automatique du moteur; l'écran affichera la force ou la pression maximale atteinte, suivie de « OK » indiquant que l'opération a été correctement effectuée.

ERROR

2.4) Réouverture des matrices

- ▶ En appuyant à fond sur la gâchette de déblocage pression (2), on provoque le retour du piston et par conséquent l'ouverture des matrices.
- ▶ Pour retirer les matrices, en poussant l'axe de déblocage matrice (12 et 14) (voir Fig. 2).



2.5) Led

Lors de l'actionnement de l'outil, la zone de sertissage est éclairée au moyen de deux LED haute luminosité qui s'éteignent automatiquement à la fin du cycle.

i Pour désactiver les LED, suivre la procédure décrite au § 4.2.

2.6) Rotation de la tête

La tête de l'outil pivote de 180° par rapport au corps, permettant à l'utilisateur de travailler dans la meilleure position.

⚠ Ne pas forcer la rotation de la tête, lorsque le circuit hydraulique est sous pression.

2.7) Touche tactile de type capacitif

Cette touche est située sous l'écran et permet de sélectionner les différents écrans (voir § 4); elle fonctionne uniquement lorsque l'écran est allumé et il suffit de l'effleurer à mains nues. L'utilisation de gants ou d'autres objets risquerait de compromettre son activation.

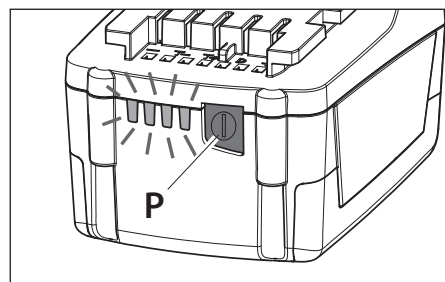




Ne jamais appuyer avec force sur la touche tactile, il suffit de l'effleurer avec un doigt, à mains nues. La commande envoie l'impulsion dès le retrait du doigt.

2.8) Autonomie de la batterie

- ▶ La batterie est équipée d'indicateurs à LED qui permettent de contrôler, à tout moment, son autonomie résiduelle en appuyant sur la touche (P):
 - 4 led allumées: autonomie maximale
 - 2 led allumées: autonomie à 50 %
 - 1 led clignotante: autonomie minimale, remplacer la batterie.
- ▶ Lorsque la batterie est insérée dans l'outil, il est possible de vérifier l'autonomie résiduelle à partir de l'écran, en appuyant sur la touche tactile (voir § 4).



L'écran ci-contre indique que la batterie est déchargée et que sa tension est descendue au-dessous du seuil minimal de sécurité ; dans cette situation, l'outil ne démarre pas, il est donc nécessaire de recharger ou de remplacer la batterie.



À titre indicatif, le délai de recharge complète de la batterie correspond à environ 80 min.



A la fin de chaque cycle de travail comme à l'extraction de la batterie de l'outil, un dispositif électronique arrête automatiquement la batterie après environ 70 s. Pour confirmer cette opération, la led la plus proche du bouton (P) clignotera 5 fois en 14 s (approximativement). La batterie est réactivée dès sa réintroduction dans l'outil, ou en appuyant sur le bouton d'actionnement.

2.9) Utilisation du chargeur de batterie

Suivre attentivement les instructions indiquées sur le manuel.

3. ENTRETIEN

L'outil est robuste, complètement scellé et ne nécessite aucune préoccupation ou attention particulière. Les recommandations qui suivent sont néanmoins souhaitables pour assurer une longévité optimum:

3.1) Nettoyage élémentaire

Veiller à protéger l'outil de la poussière, du sable et de la boue qui sont un danger à tout système hydraulique. Chaque jour après utilisation, l'outil doit être nettoyé à l'aide d'un chiffon propre, tout particulièrement aux endroits de pièces mobiles.

Ne jamais utiliser d'hydrocarbures pour le nettoyage des parties en caoutchouc.

3.2) Rangement

Au repos, pour protéger l'outil des coups accidentels et de la poussière, il convient de le ranger dans le coffret. Ce coffret (type VAL P41), adapté pour contenir l'outil, ses accessoires et 12 paires de matrices a comme dimensions: 691x456x176 mm (27.2x17.9x6.9 inches) et un poids de 4 kg (8.8 lbs).

4. ECRAN

L'écran OLED s'active lors du démarrage de l'outil et se désactive automatiquement au bout de 60 secondes d'inutilisation de l'outil.

L'écran permet d'afficher:

- Les principaux paramètres opérationnels de fonctionnement de l'outil, configurés par la carte électronique, tels que la pression ou la force développée.
- Informations sur l'état de l'outil telles que le niveau de charge, la température de la batterie et besoin éventuel d'entretien.
- ERREURS éventuelles de fonctionnement ou de procédure.

Il est possible de se déplacer dans le menu à l'aide de la touche tactile (8) et de gérer les ÉCRANS D'INFORMATION ET DE SÉLECTION:

4.1) ÉCRANS D'INFORMATION affichent à l'écran un paramètre donné qui s'affichera ensuite à chaque démarrage de l'outil et tout au long du cycle de travail.

F_m = 125.2 kN
F_p = 94.5 kN

F_m : Force minimale de réglage, exprimée en kN
F_p : Force atteinte en temps réel, exprimée en kN
(écran tel que configuré par les paramètres standards d'usine)



F_m = 14.07 ton
F_p = 10.61 ton

F_m : Force minimale développée, exprimée en tonnes courtes (USA)
F_p : Force atteinte en temps réel, exprimée en tonnes courtes (USA)



P_m = 692 bar
P_p = 522.3 bar

P_m : Pression minimale de réglage, exprimée en bar.
P_p : Pression atteinte en temps réel, exprimée en bar.



P_m = 10037 psi
P_p = 7575 psi

P_m : Pression minimale de réglage, exprimée en psi
P_p : Pression atteinte en temps réel, exprimée en psi



Niveau de charge de la batterie



Nbr de cycles effectués.
Nbr de cycles restant à effectuer lors de l'entretien ordinaire.



logo Cembre, série outil
Nr° de série de l'outil



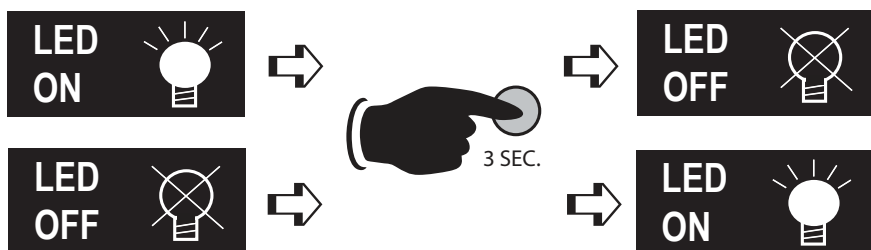
Une fois que l'écran présélectionné s'est affiché, pour le rendre opérationnel et fixe à chaque démarrage de l'outil, maintenir la touche tactile appuyée pendant une période prolongée (au moins 3 secondes). Un signal sonore continu confirmera la configuration effective.



La touche capacitive risque de ne pas fonctionner si celle-ci est effleurée avec des objets ou des gants, appuyer sur cette touche uniquement à mains nues.

4.2) ECRANS DE SELECTION: permettent de modifier certains paramètres de réglage, ils ne peuvent être configurés de manière automatique au démarrage de l'outil ; pour les activer, il est toujours nécessaire d'appuyer sur la touche tactile.

Activation/désactivation des LED (paramètre standard d'usine: LED ACTIVÉE)



Une fois l'écran affiché et lors de l'utilisation de l'outil, pour le désactiver ou réactiver le démarrage des LED, maintenir la touche tactile appuyée pendant une période prolongée (au moins 3 secondes). Un signal sonore continu confirmera la configuration effective.

Retour au paramètres d'usine de départ / Version du firmware.

Une fois l'écran « RESET » affiché, maintenir la touche tactile appuyée pendant une période prolongée (au moins 3 secondes). Un signal sonore continu confirmera la configuration effective. L'écran RESET affiche également la version du firmware de la carte électronique.



4.3) AVERTISSEMENT s'affichent lors du fonctionnement et fournissent des informations à l'opérateur sur l'état de l'outil:



BATTERIE DÉCHARGÉE: procéder à son remplacement.

REMARQUE : lorsque la tension de la batterie est inférieure au seuil minimal de sécurité, l'outil ne démarre pas mais l'opérateur peut, quoiqu'il en soit, terminer le cycle de travail en cours.








TEMPÉRATURE ÉLEVÉE DE LA BATTERIE: retirer la batterie et patienter jusqu'à ce qu'elle se refroidisse.



UNE FOIS LE NBR DE CYCLES PREVU POUR L'ENTRETIEN ORDINAIRE EFFECTUE: l'outil continue à fonctionner, il est recommandé d'envoyer l'outil à Cembre afin de procéder à une révision complète (voir § 5). **REMARQUE:** ce message, associé à un signal sonore, apparaît à nouveau au bout de 30 secondes d'inutilisation de l'outil.

4.4) ERREURS: s'affichent lors du fonctionnement. Associé à un signal sonore et lumineux ce message indique à l'opérateur d'éventuelles erreurs de procédure ou de fonctionnement.

Message	Description erreur	Solution
	Actionnement de la gâchette de déblocage pression (2) avant que l'outil n'ait atteint les paramètres de réglage (Force/Pression).	Procéder à nouveau au cycle de travail et attendre l'arrêt automatique du moteur.
	Absorption anormale de courant de la part du moteur pendant plus de 3 secondes. L'outil s'arrête.	Patienter jusqu'à l'arrêt de l'écran (60 secondes) ou retirer, puis réinsérer la batterie. Redémarrer l'outil. Si ce signal d'erreur apparaît souvent, contacter Cembre.
	Tension de sortie de l'émetteur de pression en dehors de l'intervalle configuré.	Procéder à nouveau au cycle de travail. Si ce signal d'erreur apparaît souvent, contacter Cembre.
	Impossible d'atteindre la pression de tarage dans les 30 secondes à compter de l'actionnement continu de l'outil.	Procéder à nouveau au cycle de travail. Si ce signal d'erreur apparaît souvent, contacter Cembre.
	Surcharge de la batterie avec actionnement de la protection. L'outil s'arrête.	Patienter jusqu'à l'arrêt de l'écran (60 secondes) ou retirer, puis réinsérer la batterie. Redémarrer l'outil. Si ce signal d'erreur apparaît souvent, contacter Cembre.

 **Les erreurs restent affichés à l'écran pendant environ 30 secondes, puis l'erreur est réinitialisée. Ils se présentent à nouveau en cas d'anomalie permanente.**

– Les informations suivantes sont destinées aux pays membres de l'Union Européenne:

INFORMATION POUR LES UTILISATEURS aux termes des "Directives 2002/95/CE et 2002/96/CE.

Le symbole "poubelle barrée" apposé sur l'appareil ou sur son emballage indique que le produit, à la fin de sa vie utile, doit être recueilli séparément des autres déchets.

La collecte sélective du présent appareil en fin de vie est organisée et gérée par le producteur. L'utilisateur qui voudra se débarrasser du présent appareil devra par conséquent contacter le producteur et suivre le système que celui-ci a adopté pour consentir la collecte séparée de l'appareil en fin de vie. La collecte sélective adéquate pour l'envoi successif de l'appareil destiné au recyclage, au traitement et à l'élimination compatible avec l'environnement contribue à éviter les effets négatifs possibles sur l'environnement et sur la santé et favorise la réutilisation ou le recyclage des matériaux dont l'appareil est composé. L'élimination abusive du produit par le détenteur comporte l'application des sanctions administratives prévues par les lois en vigueur.

1. ALLGEMEINE EIGENSCHAFTEN

		B1300-C	B1300L-C	
Anwendungsbereich		Geeignet zum Verpressen von Verbindern und Kabelschuhen bis zu einem Querschnitt von max. 400 mm ² (800 MCM).		
Nennpreßkraft	kN (US sh. ton)	132 (14.84)		
Minimale Preßkraft	kN (US sh. ton)	125,2 (14.07)		
Minimale Arbeitsdruck	bar (psi)	692 (10,037)		
Abmessungen (Bild 6 und 7 Seite 45)	mm (inches)	406 x 239 x 102.5 (16 x 9.4 x 4)	471 x 239 x 102.5 (18.5 x 9.4 x 4)	
Kopf Öffnungsweite	mm (inches)	26 (1.02)	42 (1.65)	
Gewicht inkl. Akku	kg (lbs)	6,5 (14.3)	8 (17.6)	
Motor	V DC	18		
Betriebstemperatur:	°C (°F)	-15 bis +50 (+5 bis +122)		
Empfohlenes Öl:		AGIP ARNICA 32 oder ähnliches		
Kolbenvorschub:		Das Werkzeug ist mit einer Doppelkolbenhydraulik ausgerüstet, die ein schnelles Zusammenfahren der Presseinsätze ermöglicht. Beim Beginn des Pressvorganges wird auf den langsameren Arbeitshub umgeschaltet.		
Sicherheit:		Überdruckventil		
Wiederaufladbarer Akku	Typ	CB1840L Li-Ion		
	V / Ah (Wh)	18 / 4.0 (72)		
Gewicht	kg (lbs)	0,66 (1.45)		
Lärmschutzbestimmung ⁽¹⁾	dB	L _{pA} 66,9 (A)	L _{pCPeak} 86,9 (C)	L _{WA} 74,9 (A)
Vibrationen ⁽²⁾	m/s ²	0,398		

(1) Richtlinie 2006/42/EG, Anhang 1, Nummer 1.7.4.2, Buchstabe u)

L_{pA} = konstanter Lärmpegel entsprechend Gewichtung A am Arbeitsplatz

L_{pCPeak} = höchster Lärmpegel entsprechend Gewichtung C am Arbeitsplatz

L_{WA} = Lärmbelastung des Geräts

(2) Richtlinie 2006/42/EG, Anhang 1, Nummer 2.2.1.1)

Der Wert bezieht sich auf Messungen, entsprechend der Normen UNI ENV 25349 und UNI EN 28662 Teil 1 unter repräsentativen Bedingungen, bei dem der durchschnittliche Messwert an den oberen Teilen den Wert nicht überschritt.

		B1300-C B1300L-C	B1300-CE B1300L-CE	B1300-CT B1300L-CT	B1300-CA B1300L-CA
Akkuladegerät ASC30-36	Typ	EU 27044000	UK 27045000	AUS/NZ 27047000	USA/CAN 27046000
Eingangsspannung	V / Hz (W)	220 - 240 / 50 - 60 (85)			115 / 60 (85)

HINWEISE



Verwenden Sie das Akkuwerkzeug ausschließlich für den vom Hersteller vorgesehenen Anwendungszweck.

Arbeiten Sie konzentriert und lassen Sie sich während des Einsatzes nicht ablenken und nehmen zur Arbeit eine sichere und standfeste Arbeitsposition ein!



Vor Beginn der Arbeiten an elektrischen Anlagen ist sicherzustellen, dass sich keine spannungsführenden Teile in unmittelbarer Nähe des Arbeitsbereiches befinden. Ansonsten muss durch geeignete Maßnahmen entsprechend der EN 50110-1 der Arbeitsbereich abgesichert werden.



Dieses Werkzeug nicht ohne ausreichende Schutzmaßnahmen an oder in der Nähe von stromführenden Leitungen verwenden! Eine Nichtbeachtung von den Schutzmaßnahmen kann zu Verletzungen oder zum Tode führen.



Die Akkuwerkzeuge sind nicht für einen Dauereinsatz geeignet. Wenn ein voll geladener Akku durch hintereinander ausgeführte Verpressungen getauscht werden muss, empfehlen wir vor dem Akkuwechsel das Werkzeug eine angemessene Zeit abkühlen zu lassen



Das Werkzeug vor Regen und Feuchtigkeit schützen. Wasser könnte das Werkzeug und den Akku beschädigen. Elektrohydraulische Werkzeuge sollten nicht im Regen eingesetzt werden.

DEUTSCH

2. BEDIENUNGSHINWEISE



WICHTIG: *Betätigen Sie das Werkzeug nie ohne Einsätze, dass kann zur Beschädigung des Kopfes und des Kolbens führen.*

Zum Lieferumfang unter dieser Bezeichnung gehören folgende Teile (Bild 8 Seite 46):

- A - Hydraulisches Akkupresswerkzeug
- B - 2 Stück wiederaufladbare Li-Ion Akkus
- C - Ladegerät (entsprechend der Länderkonfiguration)
- D - Trageriemen
- E - Kunststoffkoffer

2.1) Vorbereitung

Das Werkzeug kann bequem am Haupthandgriff (11) oder mit dem Trageriemen, der an den zwei Ringen (Bild 5 T.7) befestigt wird, transportiert werden.

Die Standardarbeitsposition ist wenn das Werkzeug waagrecht auf der Arbeitsplatte steht oder senkrecht auf dem Akku. Zusätzlich zum Haupthandgriff (5) befindet sich an der Unterseite noch eine Grifffläche (11) um das Werkzeug mit beiden Händen sicher zu halten (siehe Bild 3).



Überprüfen Sie vor jedem Arbeitsvorgang den Ladezustand der Akkus (siehe Pkt. 2.8) und laden Sie bei Bedarf die Akkus entsprechend den Anweisungen in der Bedienungsanleitung des Akkuladegerätes auf.

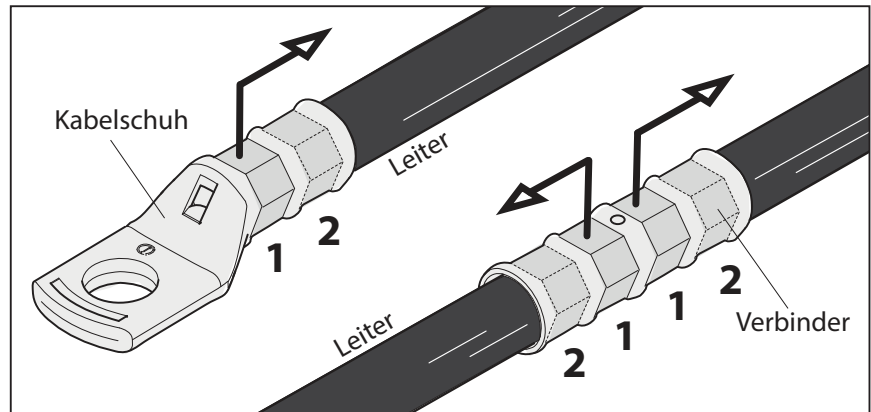
- ▶ Um den Akku auszutauschen, das Werkzeug wie in Bild 1 festhalten, die Entriegelung (10) drücken und gleichzeitig den Akku nach unten schieben.
Den neuen Akku von unten in die Führungen bis zum Einrasten schieben.
- ▶ Auf dem Display werden die Betriebsparameter des Werkzeuges angezeigt. Sie können laut der Bedienungsanleitung Pkt. 2.7 persönliche Einstellungen vornehmen.
- ▶ Passenden Presseinsatz auswählen.



Einsetzen der Presseinsätze und der Wechsel muss immer mit ausgebautem Akku erfolgen.

- ▶ Den Druckknopf (12) zum Einsetzen des oberen Presseinsatzes auf der Vorderseite des Presskopfes drücken (siehe Bild 2) da sich damit der Arretierstift (13) absenkt und der Presseinsatz seitlich eingeschoben werden kann.
Das Werkzeug betätigen (siehe § 2.2), den Kolben (16) 8-10 mm (0.3-0.4 in.) vorfahren, Druckknopf (14) zum Einsetzen des unteren Presseinsatzes auf dem Kolben drücken, da sich damit der Arretierstift (15) absenkt und der Presseinsatz seitlich eingeschoben werden kann.
- ▶ Den zu verpressenden Leiter in den Verbinder oder Kabelschuh einlegen (siehe Bild 4).
- ▶ Positionieren Sie den Verbinder oder Kabelschuh an der vorgeschriebenen Position am Presseinsatz (siehe Bild 4).

ANMERKUNG: Beim Pressen von Kabelschuhen oder Verbindern gehen Sie bei mehreren erforderlichen Pressvorgängen gemäß der in der Abbildung angegebenen Reihenfolge und Richtung vor. Lassen Sie einen gleichmäßigen Abstand zwischen den verschiedenen Verpressungen.

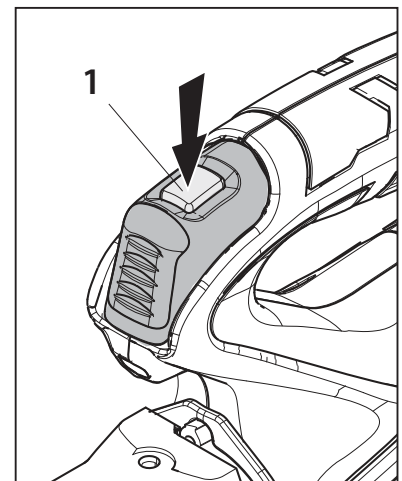


2.2) Positionierung

- ▶ Durch Drücken des Startknopfes (1) (siehe Bild 4) beginnen Motor und Pumpe zu arbeiten und die Preßeinsätze nähern sich dem Verbinder oder Kabelschuh.
- ▶ Sobald der Startknopf wieder losgelassen wird, halten Motor und Kolben sofort an.



Die Presseinsätze müssen in die gewünschte Position am Verbinder oder Kabelschuh gebracht werden. Sollte diese nicht korrekt sein, muss das Werkzeug entsprechend Pkt. 2.4 geöffnet werden und es kann neu positioniert werden.



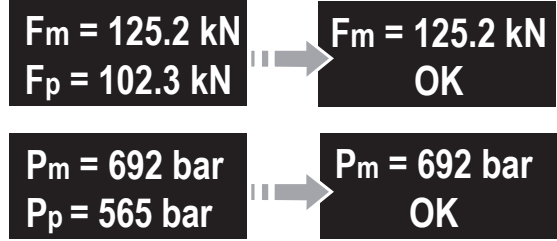
2.3) Verpressung

- ▶ Wird der Startknopf (1) weiter gedrückt, fahren die Presseinsätze langsam aufeinander zu und die Verpressung wird durchgeführt.
- ▶ Das Werkzeug hält bei Erreichen des eingestellten Druckes automatisch an.



Halten Sie für einen korrekten Pressvorgang den Startknopf (1) bis zur automatischen Abschaltung des Motors gedrückt.

ANMERKUNG: Zum Anzeigen der aktuellen Kraft- oder Presswerte während des Arbeitszyklus stellen Sie bitte die entsprechenden Ansichten ein (siehe Pkt. 4). Wenn Sie den Startknopf vor der automatischen Abschaltung des Motors loslassen, zeigt das Display die zu diesem Zeitpunkt erreichte Maximalkraft (F_p) oder den Maximaldruck (P_p) an. Um den Arbeitsvorgang zu beenden, drücken Sie erneut bis zur automatischen Abschaltung des Motors auf den Startknopf. Das Display zeigt nun die maximal erreichten Kraft- oder Druckwerte, gefolgt von "OK" an, was den korrekten Vorgang bestätigt.



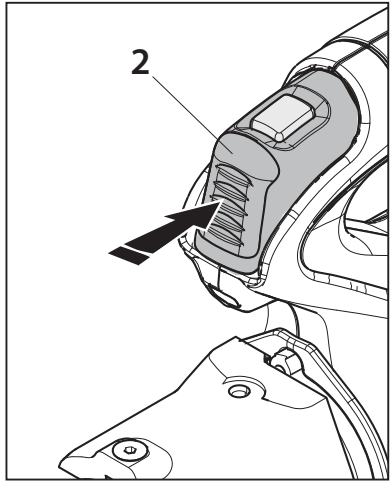
i Die Meldung "ERROR" in Verbindung mit einem akustischen Signal und blinkenden LED-Anzeigen deutet daraufhin, dass der Pressvorgang aufgrund eines vorzeitigen Abbruchs des Arbeitszyklus vor Erreichen der Einstellparameter (Kraft/Druck) des Werkzeuges fehlerhaft war.



Dieser Fehler tritt auf, wenn der Druckablassknopf gedrückt wird und das Werkzeug einen Druck > 100 bar erreicht hat. Wiederholen Sie den Pressvorgang in diesem Fall und halten Sie den Startknopf bis zur automatischen Abschaltung des Motors gedrückt.

2.4) Öffnen der Presseinsätze

- ▶ Drücken Sie kräftig den Druckablassknopf (2). Dadurch fährt der Kolben zurück und die Presseinsätze geben den Kabelschuh / Verbinder frei.
- ▶ Die Knöpfe (12 und 14) drücken um die Presseinsätze zu Lösen (siehe Bild 2).



DEUTSCH

2.5) LED

Während der Betätigung des Werkzeugs wird der Pressbereich von zwei LED-Leuchten mit hoher Helligkeit ausgeleuchtet, die sich am Zyklusende automatisch abschalten.

i Die LED Leuchten können wie unter Pkt. 4.2 beschrieben deaktiviert werden.

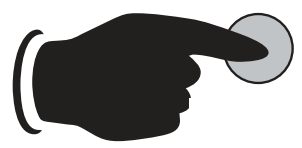
2.6) Drehbewegung des Kopfes

Das Werkzeug ist mit einem Kopf ausgerüstet, der um 180° drehbar ist und somit ein komfortables Arbeiten ermöglicht.

! Der Kopf sollte keinesfalls in eine andere Position gedreht werden, während die Akkupresse unter Druck steht.

2.7) Kapazitive Taste

Die Taste befindet sich unterhalb des Displays und ermöglicht die Auswahl verschiedener Ansichten (siehe Pkt. 4). Sie funktioniert nur bei eingeschaltetem Display und es reicht sie mit bloßen Fingern leicht zu berühren. Das Tragen von Handschuhen bzw. andere Gegenstände könnten die Betätigung verhindern.





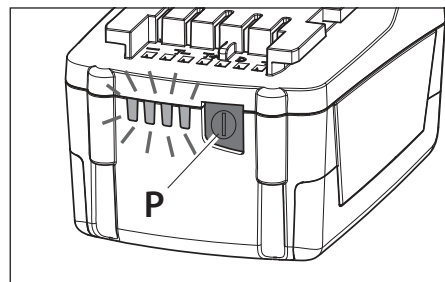
Drücken Sie niemals fest auf die kapazitive Taste. Es reicht aus, sie sanft mit einem Finger und mit bloßen Händen zu berühren. Der Steuerungsimpuls wird beim Loslassen gesendet.

2.8) Akkuladung

Die Akku ist mit LED-Anzeigen ausgestattet, die jederzeit über die verbleibende Akkulaufzeit Auskunft gibt, indem man auf die Taste (P) (siehe Bild 5) drückt:

- 4 LED eingeschaltet: Maximale Ladung
- 2 LED eingeschaltet: Ladung zu 50 %
- 1 LED blinkend: Minimale Ladung, Akku austauschen bzw. aufladen.

Wenn sich der Akku im Werkzeug befindet, kann man die verbleibende Akkulaufzeit auch auf dem Display ablesen, indem man die kapazitive Taste berührt (siehe Pkt. 4).



Diese Ansicht zeigt an, dass der Akku leer und die Spannung auf das Mindestsicherheitsniveau gesunken ist.



Unter diesen Bedingungen kann das Werkzeug nicht in Betrieb genommen werden.

Laden Sie den Akku auf oder tauschen Sie ihn aus.

Ein vollständiger Ladevorgang eines leeren Akkus dauert etwa 80 Minuten.



Nach jedem Arbeitszyklus und wie auch nach der Entfernung des Akkus schaltet es durch die eingebaute Elektronik nach ca. 70s automatisch ab.

Als Bestätigung des Vorganges wird die LED bei der Taste (P) 5-mal hintereinander innerhalb von ca. 14s blinken. Durch das Einführen des Akkus in das Werkzeug wird der Akku wieder aktiviert oder durch die Betätigung des Startknopfes.

2.9) Verwendung des Ladegerätes

Die in der Bedienungsanleitung gegebenen Hinweise sind zu beachten.

3. WARTUNG

Das Werkzeug ist robust und benötigt keine spezielle Pflege.

Zur Erhaltung der Garantieansprüche beachten Sie folgende Hinweise:

3.1) Pflege

Dieses hydraulische Werkzeug sollte vor starker Verschmutzung geschützt werden, da dies für ein hydraulisches System gefährlich ist. Jeden Tag nach der Arbeit sollte das Werkzeug mit einem Tuch von Schmutz und Staub gereinigt werden, besonders die beweglichen Teile. Verwenden Sie keine Kohlenwasserstoffe (z.B. Teilereiniger, Bremsenreiniger) zum Reinigen der Gummiteile.

3.2) Lagerung

Wenn das Werkzeug nicht benötigt wird, sollte es in dem Kunststoffkoffer gelagert werden und ist somit gegen Beschädigungen wie Stoß und Staub geschützt.

Der Kunststoffkoffer Typ VAL P41 hat folgende Abmessungen: 691x456x176 mm (27.2x17.9x6.9 inches) und ein Gewicht von 4 kg (8.8 lbs.). Er ist geeignet zum Lagern vom Werkzeug und Zubehör sowie auch 12 Paar Presseinsätzen.

4. DISPLAY

Das mit der OLED-Technologie ausgestattete Display wird mit dem Starten des Werkzeuges aktiv und wird nach etwa 60 Sekunden, in denen das Werkzeug nicht benutzt wird, automatisch inaktiv. Auf dem Display wird folgendes angezeigt:

- die wichtigsten Betriebsparameter wie Druck oder erzeugte Kraft die von der Elektronik erfasst wurden
- Informationen über den Zustand des Werkzeuges wie Ladezustand und Temperatur des Akkus und Wartungsempfehlungen
- mögliche Fehler über Werkzeug oder den Arbeitsvorgang

Mit Hilfe der kapazitiven Taste (8) kann man im Menü navigieren und die INFORMATIONEN- UND AUSWAHLANSICHTEN VERWALTEN:

4.1) INFORMATIONSANSICHTEN: Damit kann ein bestimmter Parameter auf dem Display angezeigt werden, der anschließend bei jedem Starten des Werkzeuges und während des gesamten Arbeitszyklus erscheint.

DEUTSCH

F_m = 125.2 kN
F_p = 94.5 kN

F_m: Mindestpresskraft in kN
F_p: Erreichter Mindestpresskraft in kN
(Werkseinstellung)



F_m = 14.07 ton
F_p = 10.61 ton

F_m: Mindestpresskraft in USA Kurztonnen
F_p: Erreichter Mindestpresskraft in USA Kurztonnen



P_m = 692 bar
P_p = 522.3 bar

P_m: Mindestdruck in bar
P_p: Erreichter Momentandruck in bar



P_m = 10037 psi
P_p = 7575 psi

P_m: Mindestdruck in psi
P_p: Erreichter Momentandruck in psi



Ladezustand des Akkus



1000
-12000

Anzahl der ausgeführten Zyklen
Anzahl der ausstehenden Zyklen bis zur normale Wartung



B1300
NR 14AF035

Cembre-Logo, Werkzeugtyp
Seriennummer des Werkzeuges



Wenn Sie einen gewählten Bildschirm bei jedem Starten des Werkzeuges fest anzeigen möchten, berühren Sie länger (ca. 3 Sekunden) die kapazitive Taste, woraufhin ein akustisches Signal die erfolgte Einstellung bestätigt.



Die kapazitive Taste funktioniert womöglich nicht, wenn sie mit Gegenständen oder Handschuhen berührt wird. Benutzen Sie immer die bloßen Hände.

4.2) AUSWAHLANSICHTEN: Damit kann man einige Einstellparameter verändern. Sie können nicht automatisch beim Starten des Werkzeuges eingestellt werden, sondern sind nur mit Hilfe der kapazitiven Taste abrufbar:

Aktivierung/Deaktivierung der LED-Anzeigen (Werkzeueinstellung: LED ON)



Berühren Sie bei angezeigter Ansicht länger (mindestens 3 Sekunden) die kapazitive Taste, um das Angehen der LED-Anzeigen während der Verwendung des Werkzeuges zu aktivieren oder zu deaktivieren. Ein akustisches Signal zeigt die erfolgte Einstellung an.

Rückkehr zu den ursprünglichen werkseitigen Einstellungen/Firmware-Version.

Berühren Sie bei angezeigter "RESET"-Ansicht länger (mindestens 3 Sek.) die kapazitive Taste, um das Werkzeug zu den ursprünglichen werkseitigen Einstellungen zurückzuführen.



Ein akustisches Signal zeigt die erfolgte Einstellung an.

Die RESET-Einstellung zeigt außerdem die Firmware-Version der Elektronikarte an.

4.3) WARNHINWEISE: Sie erscheinen während des Betriebes und informieren den Bediener über den Zustand des Werkzeuges:



AKKU LEER: Akku austauschen

ANMERKUNG: Wenn die Batteriespannung unter das Mindest-Sicherheitsniveau sinkt, startet das Werkzeug nicht mehr. Man kann jedoch den laufenden Zyklus beenden



ERHÖHTE AKKUTEMPERATUR: Die Akku entnehmen und abkühlen lassen








DIE FÜR DIE NORMALE WARTUNG VORGESEHENE ANZAHL AN ZYKLEN IST ERREICHT:

Das Werkzeug funktioniert weiterhin, es wird aber empfohlen, es für eine Wartung an Cembre zu schicken (siehe Pkt. 5).

ANMERKUNG. Diese Meldung erscheint zusammen mit einem akustischen Signal immer nach 30 Sekunden, in denen das Werkzeug nicht verwendet wird.

4.4) FEHLERMELDUNGEN: Sie erscheinen während des Betriebes in Verbindung mit einem akustischen Signal und einem Blinken der LED-Anzeigen. Damit wird der Anwender über mögliche Betriebs- und Arbeitsfehler informiert.

Meldung	Beschreibung des Fehlers	Lösung
	Betätigung des Druckablassknopfes (2) vor Erreichen der eingestellten Parameterkraft/Druck).	Wiederholen Sie den Arbeitszyklus und warten Sie bis zur automatischen Abschaltung des Motors.
	Sehr hohe Stromaufnahme des Motors innerhalb von 3 Sekunden. Das Werkzeug bleibt stehen.	Warten Sie bis das Display inaktiv wird (60 Sek) oder entnehmen Sie den Akku und führen Sie ihn wieder ein. Starten Sie das Werkzeug erneut. Wenden Sie sich an Cembre, falls dieser Fehler wiederholt auftritt.
	Die Ausgangsspannung des Drucksensors liegt nicht im festgelegten Bereich.	Wiederholen Sie den Arbeitszyklus. Wenden Sie sich an Cembre, falls der Fehler wiederholt auftritt.
	Der eingestellte Pressdruck wurde innerhalb von 30 Sek. nicht erreicht, seit dem Einschalten des Werkzeuges.	Wiederholen Sie den Arbeitszyklus. Wenden Sie sich an Cembre, falls der Fehler wiederholt auftritt.
	Akkuüberlastung und Auslösung der Schutzvorrichtung. Das Werkzeug hält an.	Warten Sie bis das Display inaktiv wird (60 Sek) oder entnehmen Sie den Akku und führen Sie ihn wieder ein. Starten Sie das Werkzeug erneut. Wenden Sie sich an Cembre, falls dieser Fehler wiederholt auftritt.

 **Die Fehleransichten werden auf dem Display etwa 30 Sekunden lang angezeigt, dann wird der Fehler zurückgesetzt. Bei permanenter Störung werden sie erneut angezeigt.**

– Die folgenden Hinweise gelten für Mitglieder der Europäischen Union:

INFORMATION FÜR DEN BENUTZER gemäß der "Richtlinien 2002/95/EG und 2002/96/EG.

Das durchgekennzeichnete Zeichen auf dem Mülleimer, welches auf dem Gerät oder seiner Verpackung angebracht ist, zeigt an, dass das Produkt am Ende seiner Lebenszeit getrennt von den anderen Abfällen entsorgt werden muss. Die getrennte Abfallsammlung des vorliegenden zu entsorgenden Geräts wird vom Hersteller organisiert und verwaltet. Der Besitzer, der sich des Geräts entledigen will, muss sich daher mit dem Hersteller in Verbindung setzen und das von ihm angenommene System für die getrennte Sammlung des zu entsorgenden Geräts befolgen.

Eine angemessene getrennte Sammlung, damit das Gerät für das Recycling, die Behandlung und die umweltfreundliche Entsorgung vorbereitet werden kann, trägt dazu bei, mögliche negative Auswirkungen auf die Umwelt und auf den Gesundheitszustand zu vermeiden und begünstigt die Wiederverwertung und das Recycling der Materialien des Geräts. Bei widerrechtlicher Entsorgung des Produkts durch den Benutzer werden die vom Gesetz vorgesehenen Verwaltungsanktionen angewandt.

1. CARACTERÍSTICAS GENERALES

		B1300-C	B1300L-C	
Campo de aplicación:		para la instalación de conectores eléctricos por compresión para conductores en general hasta 400 mm ² (800 MCM) max.		
Fuerza nomin. de compresión	kN (US sh. ton)	132 (14.84)		
Fuerza mínima desarrollada	kN (US sh. ton)	125,2 (14.07)		
Presión mínima de trabajo	bar (psi)	692 (10,037)		
Dimensiones (Fig. 6 y 7 página 45)	mm (inches)	406 x 239 x102.5 (16 x 9.4 x 4)	471 x 239 x102.5 (18.5 x 9.4 x 4)	
Apertura cabeza	mm (inches)	26 (1.02)	42 (1.65)	
Peso con batería	kg (lbs)	6,5 (14.3)	8 (17.6)	
Motor	V DC	18		
Temperatura de funcionam.	°C (°F)	-15 a +50 (+5 a +122)		
Aceite recomendado		AGIP ARNICA 32 ó equivalentes.		
Velocidad de avance		una rápida de aproximación de las matrices al conector y otra más lenta de compresión. El paso de una a otra velocidad es automático.		
Seguridad		válvula de sobrepresión.		
Batería recargable	tipo	CB1840L Li-Ion		
	V / Ah (Wh)	18 / 4.0 (72)		
Peso	kg (lbs)	0,66 (1.45)		
Ruido aéreo ⁽¹⁾	dB	L _{pA} 66,9 (A)	L _{pCPeak} 86,9 (C)	L _{WA} 74,9 (A)
Vibraciones ⁽²⁾	m/s ²	0,398		

(1) Directiva Europea 2006/42/CE, anexo 1, punto 1.7.4.2, letra u)

L_{pA} = nivel de presión acústica continua equivalente ponderado A en el puesto de trabajo.

L_{pCPeak} = nivel máximo de la presión acústica instantánea ponderada C en el puesto de trabajo.

L_{WA} = nivel de potencia acústica emitida por la máquina.

(2) Directiva Europea 2006/42/CE, anexo 1, punto 2.2.1.1)

Valor cuadrático medio ponderado en frecuencia, de la aceleración a la que están expuestos los miembros superiores para cada eje biodinámico de referencia. Medidas realizadas según las indicaciones de las Normas UNI EN 25349 y UNI EN 28662 parte 1a, en condiciones de utilización ampliamente representativas respecto a las que se encuentran normalmente.

		B1300-C B1300L-C	B1300-CE B1300L-CE	B1300-CT B1300L-CT	B1300-CA B1300L-CA
Cargador de batería ASC30-36	tipo	EU 27044000	UK 27045000	AUS/NZ 27047000	USA/CAN 27046000
Alimentación	V / Hz (W)	220 - 240 / 50 - 60 (85)			115 / 60 (85)

ADVERTENCIAS



No utilice la herramienta para fines diferentes de los previstos por el fabricante. Prestar atención en el trabajo, no distraerse y no perder el equilibrio durante la utilización.



Antes de empezar trabajos sobre elementos eléctricos, cerciorarse de que no hay partes en tensión en las proximidades de la zona de trabajo; en caso contrario adoptar las precauciones necesarias para trabajar cerca de elementos en tensión en conformidad con la normativa EN50110-1.



No usar esta herramienta sobre o cerca de conductores en tensión, sin sistemas de protección individual adecuada. La no observación de esta medida podría causar lesiones graves o mortales.



Ejecutado el número de operaciones máximo permitido por una batería, a la hora de cambiarla aconsejamos un oportuno período de pausa para permitir el enfriamiento de la herramienta.



Proteger la herramienta de la lluvia y la humedad. El agua podría dañar la herramienta y la batería. Las herramientas electrohidráulicas no deberían funcionar bajo la lluvia,

2. INSTRUCCIONES DE USO



IMPORTANTE: *Para evitar dañar la herramienta, se recomienda no operar en vacío a presión máxima, sin matrices insertadas en el cabezal.*

La referencia identifica el conjunto formado por (Ref. a Fig. 8 pág. 46):

A - Herramienta hidráulica de compresión

B - Batería recargable Li-Ion (2 uds)

C - Cargador de batería (diferente según el modelo de la herramienta)

D - Correa de transporte

E - Caja de plástico para almacenaje

ESPAÑOL

2.1) Preparación

La herramienta puede ser transportada fácilmente por medio de la empuñadura principal (11) o la correa de transporte fijada a los dos anillos (7) (Ref. a Fig. 5).

Las posiciones de trabajo principales son: horizontal apoyado sobre las patas y vertical apoyado sobre la batería. Además de la empuñadura principal (11) en la parte inferior tiene una empuñadura suplementaria (5), que permite una toma segura y balanceada para poder sujetar la herramienta con dos manos, (Ref a Fig. 3).



Antes de iniciar cualquier trabajo, compruebe el estado de carga de las baterías (Ref. al § 2.8). Si es necesario, recárguelas siguiendo las instrucciones del manual de uso del cargador.

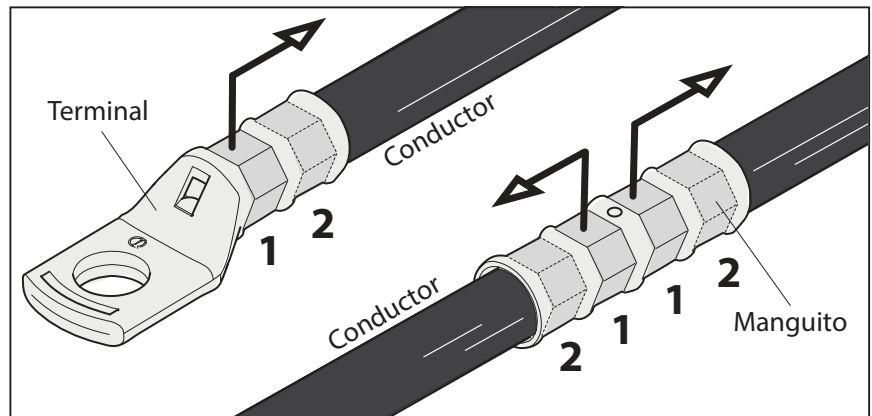
- ▶ Sustituir la batería es fácil; sostener la herramienta como se ilustra en la Figura 1; pulsar el desbloqueo (10) y empujar la batería hacia abajo desenganchándola.
Inserte la batería cargada en la parte inferior deslizándola por las guías hasta su tope.
- ▶ La pantalla permite visualizar los parámetros de funcionamiento de la herramienta.
Para su personalización, proceda como se describe en el § 2.7.
- ▶ Seleccione la matriz adecuada para la conexión a efectuar.



Las operaciones de inserción o sustitución de las matrices deben ser efectuadas con la herramienta sin batería.

- ▶ Inserte la matriz en la cabeza de la herramienta (Ref. a Fig. 2) hasta su bloqueo con el pistoncillo (13), para facilitar la inserción de la matriz, mantenga presionado el pistoncillo (12).
Accionar la herramienta (vease § 2.2) para avanzar de 8-10 mm (0.3 - 0.4 in.) el pistón (16) e inserte la otra matriz en la guía del pistón hasta su bloqueo con el pistoncillo (15), para facilitar la inserción de la matriz mantenga presionado el pistoncillo (14).
- ▶ Introduzca el conductor en el conector (Ref. a Fig. 4).
- ▶ Coloque este último entre las dos matrices, alineando la zona a comprimir con la marca de las matrices (Ref. a Fig. 4).

NOTA: Para la compresión de terminales o manguitos, cuando se solicite más de una compresión, proceda de acuerdo con la secuencia y en la dirección indicada en la figura, espaciar uniformemente las compresiones.



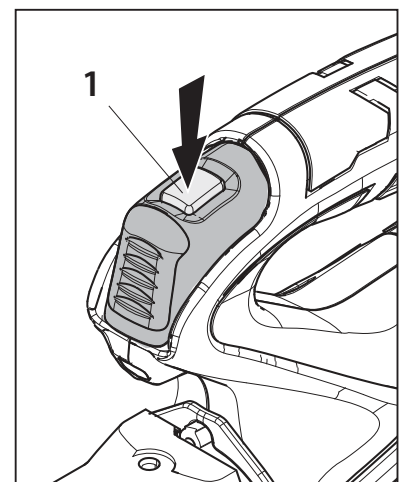
Antes de proceder con las operaciones siguientes, comprobar que la cabeza está perfectamente cerrada.

2.2) Aproximación de las matrices

- ▶ Apretando el botón (1) de accionamiento (Ref. a Fig. 4) se pone en marcha el grupo motor-bomba y las matrices empiezan a acercarse al conector.
- ▶ Soltando el botón se detienen inmediatamente tanto el motor como el movimiento de las matrices.



Asegúrese de que las matrices se encuentran exactamente en correspondencia con la zona a comprimir; en caso contrario, vuélvala a abrir, siguiendo las instrucciones del punto 2.4 y vuelva a colocar el conector.



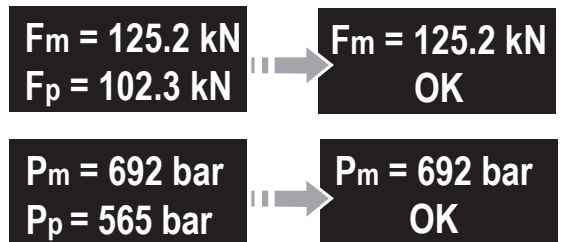
2.3) Compresión

- ▶ Manteniendo apretado el botón (1) de accionamiento el motor continúa girando: el pistón avanzará progresivamente hasta llevar las matrices a chocarse entre ellas.
- ▶ La herramienta se detendrá automáticamente cuando llegue a la presión de ajuste.



Para efectuar una compresión adecuada, mantenga presionado el botón de accionamiento (1) hasta el apagado automático del motor

NOTA: Para ver la fuerza o presión instantáneas durante el ciclo de trabajo, configure las pantallas correspondientes (Ref. a § 4). Soltando el botón de accionamiento antes del reinicio automático del motor, la pantalla mostrará los valores de fuerza pico (F_p) y la presión pico (P_p) alcanzados en ese momento.



Para completar el trabajo, presione el botón de accionamiento hasta la detención automática del motor; la pantalla mostrará la fuerza o la presión máxima alcanzada seguida de "OK" para confirmar la operación correcta.

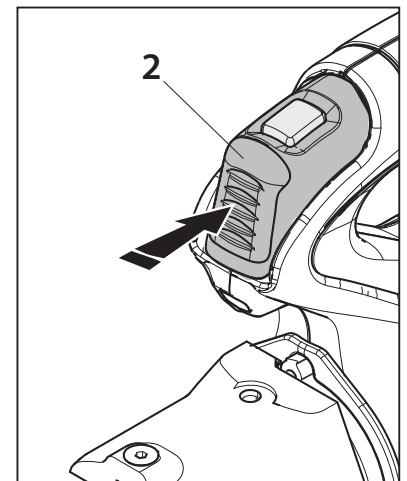
i El mensaje "ERROR" asociado a una señal acústica y el parpadeo de las luces, indica un procedimiento de compresión erróneo debido a una interrupción anticipada del ciclo del trabajo, antes de alcanzar los parámetros de regulación (fuerza/presión) de la herramienta.

Este error aparece cuando se presiona el botón de desbloqueo de presión (5) y la herramienta ya ha alcanzado una presión >100 bar. En este caso, repita la compresión manteniendo pulsado el mando de accionamiento hasta la parada automática del motor.



2.4) Desbloqueo de las matrices

- ▶ Apretando a fondo el botón desbloqueo presión (2) se obtendrá el retorno del pistón con la consiguiente apertura de las matrices.
- ▶ Para retirar las matrices, presionar los pistoncillos desbloqueadores (12 y 14) (Ref. a Fig. 2).



2.5) Led

Durante el accionamiento de la herramienta, la zona de compresión está iluminada por dos led de alta luminosidad que se apagan automáticamente al final del ciclo.

i La iluminación de los led puede desactivarse mediante el procedimiento descrito en el § 4.2.

2.6) Rotación de la cabeza

La cabeza de la herramienta puede rotar 180° respecto al cuerpo, permitiendo al operario realizar el trabajo en la posición más adecuada.

! No fuerce la cabeza, intentando rotarla, mientras el circuito hidráulico esté presurizado.

2.7) Tecla táctil capacitivo.

La tecla está ubicada debajo de la pantalla y permite seleccionar varias pantallas (Ref. al § 4). Sólo funciona con la pantalla encendida y basta con tocarla directamente con las manos; el uso de guantes u otros objetos podría inhibir el accionamiento.

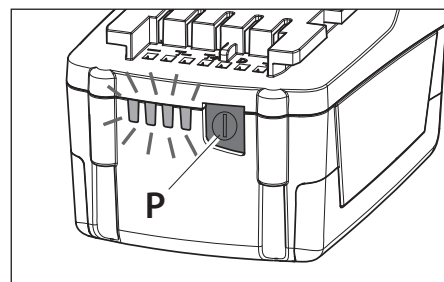




**No presione con fuerza la tecla táctil, basta con tocarla con el dedo.
El pulso del comando es enviado al quitar el dedo.**

2.8) Autonomía de la batería

- ▶ La batería está provista de indicadores de led que permiten saber la autonomía restante en cualquier momento pulsando el botón (P):
 - 4 led encendidos: autonomía máxima
 - 2 led encendidos: autonomía al 50 %
 - 1 led parpadeante: autonomía mínima, reemplazar la batería.
- ▶ Con la batería en la herramienta, también es posible verificar la autonomía restante en la pantalla, presionando la tecla táctil (Ref. al § 4).



La pantalla de al lado indica que la batería está descargada, y que su tensión está por debajo de un punto mínimo de seguridad; en estas condiciones la herramienta no se inicia, proceda a la recarga o a la sustitución de la batería.



El tiempo aproximado para recargar completamente una batería descargada es de 80 min.



Después de cada ciclo de trabajo, así como después de la extracción de la batería de la herramienta, un dispositivo electrónico permite el apagado automático de la batería después de 70s, aprox. y el LED más cercano del botón P parpadeará 5 veces consecutivas a intervalos de 14 s, aprox. La batería se reactivará con su reinserción en la herramienta y pulsando el botón de accionamiento.

2.9) Utilización del cargador de batería

Seguir atentamente las instrucciones detalladas en el manual correspondiente.

MANTENIMIENTO

Esta herramienta es robusta, completamente precintada y no requiere cuidados especiales. Para obtener un funcionamiento correcto, bastará tener algunas precauciones sencillas:

3.1) Limpieza adecuada

Tenga presente que el polvo, la arena y la suciedad en general, representan un peligro para toda herramienta hidráulica. Tras cada día de uso, se debe limpiar la herramienta con un trapo limpio, teniendo cuidado de eliminar la suciedad depositada, especialmente junto a las partes móviles. No use hidrocarburos para la limpieza de las partes de caucho.

3.2) Almacenamiento

Para proteger la herramienta de golpes accidentales y del polvo cuando no se va a utilizar, es conveniente guardarla cerrada en su caja de plástico de cierre hermético.

Dicho estuche tipo VAL P41 de dimensiones 691x456x176 mm (27.2x17.9x6.9 pulgadas) y peso 4 kg (8.8 lbs), es apropiado para almacenar la herramienta, los accesorios, y además hasta 12 juegos entre matrices y pre-redondeadores.

4. PANTALLA

La pantalla con tecnología OLED se activa con el accionamiento de la herramienta y se desactiva automáticamente después de aproximadamente 60 segundos sin utilizar la herramienta. La pantalla permite visualizar:

- los principales parámetros de funcionamiento de la herramienta desarrollados por la tarjeta electrónica, como la presión o la fuerza desarrollada.
- Información sobre el estado de la herramienta, como el nivel de carga, la temperatura de la batería y la necesidad de mantenimiento.
- Eventuales errores de procedimiento o de funcionamiento.

Es posible navegar por el menú con la tecla táctil (8) y gestionar las PANTALLAS DE INFORMACIÓN Y SELECCIÓN:

4.1) PANTALLAS DE INFORMACIÓN: permiten visualizar en la pantalla un parámetro determinado que luego aparecerá cada vez que inicie la herramienta y durante todo el ciclo de trabajo.

F_m = 125.2 kN
F_p = 94.5 kN

F_m: fuerza mínima de ajuste, expresada en kN
F_p: fuerza instantánea alcanzada, expresada en kN
(Se muestra en la pantalla como ajuste predeterminado de fábrica)



F_m = 14.07 ton
F_p = 10.61 ton

F_m: fuerza mínima de ajuste, expresada en toneladas cortas (USA).
F_p: fuerza instantánea alcanzada, expresada en toneladas cortas (USA).



P_m = 692 bar
P_p = 522.3 bar

P_m: presión mínima de ajuste, expresada en bar.
P_p: presión instantánea alcanzada, expresada en bar.



P_m = 10037 psi
P_p = 7575 psi

P_m: presión mínima de ajuste, expresada en psi
P_p: presión instantánea alcanzada, expresada en psi.



El nivel de carga de la batería



1000
-12000

Nº de ciclos efectuados
Número de ciclos que faltan para el mantenimiento ordinario



B1300
NR 14AF035

Logo Cembre, modelo de la herramienta
Número de serie de la herramienta.



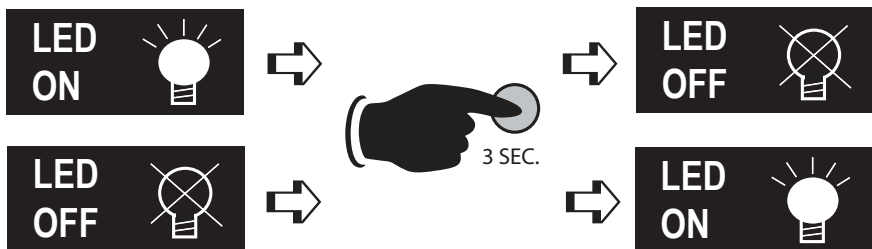
Una vez visualizada la pantalla, para hacerla operativa y fija en cada inicio de la herramienta, toque prolongadamente la tecla táctil (al menos 3 segundos); una señal acústica continua confirmará el ajuste.



La tecla táctil puede no funcionar cuando se toca con objetos o con guantes. Siempre se debe usar con las manos descubiertas.

4.2) PANTALLAS DE INFORMACIÓN: permiten visualizar en la pantalla un parámetro determinado que luego aparecerá cada vez que inicie la herramienta y durante todo el ciclo de trabajo.

Activación/desactivación de los led (ajuste predeterminado de fábrica LED ON)



Una vez visualizada la pantalla, para desactivar o reactivar el funcionamiento de los led durante el uso de la herramienta, presione prolongadamente (al menos 3 segundos) la tecla táctil, una señal acústica confirmará el ajuste.

Volver a los ajustes de fábrica iniciales/Versión Firmware.

Una vez visualizada la pantalla "RESET", para volver a los ajustes iniciales de fábrica, toque prolongadamente (al menos 3 segundos) la tecla táctil; una señal acústica confirmará el ajuste.



La pantalla RESET muestra también la versión del firmware de la tarjeta electrónica.

4.3) ADVERTENCIAS: aparecen durante el funcionamiento e informan al operario sobre el estado de la herramienta:



BATERÍA DESCARGADA: proceda a la sustitución.

NOTA: Cuando la tensión de la batería está por debajo del mínimo de seguridad, la herramienta no se inicia. Sin embargo, es posible terminar el trabajo en curso.








ALTA TEMPERATURA DE LA BATERÍA: Retire la batería y espere a que se enfríe.



ALCANCE DEL N° DE CICLOS PREVISTOS PARA MANTENIMIENTO ORDINARIO: la herramienta continua su funcionamiento. Se recomienda enviarla a Cembre para una revisión mas completa (Ref. al § 5).

NOTA: este mensaje, junto con una señal acústica, volverá a aparecer después de 30 segundos de no utilización de la herramienta.

4.4) ERRORES: aparecen durante el funcionamiento, asociados a una señal acústica y al parpadeo de los led, informan al operario sobre posibles errores de procedimiento o de funcionamiento.

Mensaje	Descripción del error	Solución
	Activación del botón desbloqueo presión (2) antes de alcanzar los parámetros de regulación (fuerza/presión).	Repita el ciclo de trabajo esperando la interrupción automática del motor.
	Absorción anómala de corriente del motor durante más de 3 segundos. La herramienta se detiene.	Espera a que la pantalla se apague (60 segundos) o extraiga y reinserte la batería. Después, reinicie la herramienta. Si el error se presenta frecuentemente, contacte con Cembre.
	Tensión en salida del transmisor de presión no incluida en el intervalo establecido.	Repita el ciclo de trabajo. Si el error se presenta frecuentemente, contacte con Cembre.
	No alcance de la presión de ajuste dentro de los 30 segundos desde la activación continua de la herramienta.	Repita el ciclo de trabajo. Si el error se presenta frecuentemente, contacte con Cembre.
	Sobrecarga de la batería con Intervención de la protección. La herramienta se detiene.	Espera a que la pantalla se apague (60 segundos) o extraiga y reinserte la batería. Después, reinicie la herramienta. Si el error se presenta frecuentemente, contacte con Cembre.

 **Los errores se visualizan en la pantalla durante 30 segundos aproximadamente, por lo tanto, el error se restablece. Se presentan en caso de anomalía permanente.**

– Las siguientes informaciones conciernen a los estados miembros de la Unión Europea:

INFORME PARA LOS USUARIOS en los términos de las Directivas 2002/95/CE y 2002/96/CE.

El símbolo del contenedor de basura cruzado por un aspa que aparece en el equipo o sobre su empaque indica que, al final de su ciclo de vida útil, el producto debe ser eliminado independientemente de otros desechos. La recogida selectiva del presente equipo, llegado al final de su ciclo de vida, es organizada y manejada por el fabricante. El usuario que desee deshacerse del presente equipo deberá, por lo tanto, contactar con el fabricante y seguir el sistema adoptado por el mismo para permitir la recogida por separado del equipo que ha concluido su ciclo de vida. La adecuada recogida selectiva, para el sucesivo envío del equipo dado de baja al reciclaje, al tratamiento y al saneamiento ambiental compatible, contribuye a evitar posibles efectos negativos sobre el medio ambiente y sobre la salud favoreciendo el reemplazo y el reciclaje de los materiales que componen el equipo. La eliminación abusiva del equipo por parte del propietario implica la aplicación de las sanciones administrativas prevista por la legislación vigente.

1. CARATTERISTICHE GENERALI

		B1300-C	B1300L-C	
Campo di applicazione		adatto all'installazione di connettori elettrici a compressione per conduttori in genere fino a 400 mm ² (800 MCM) max.		
Forza nom. di compressione	kN (US sh. ton)	132 (14.84)		
Forza min. di compressione	kN (US sh. ton)	125,2 (14.07)		
Pressione min. di esercizio	bar (psi)	692 (10,037)		
Dimensioni (Fig. 6 e 7 pag. 45)	mm (inches)	406 x 239 x 102.5 (16 x 9.4 x 4)	471 x 239 x 102.5 (18.5 x 9.4 x 4)	
Apertura testa	mm (inches)	26 (1.02)	42 (1.65)	
Peso con batteria	kg (lbs)	6,5 (14.3)	8 (17.6)	
Motore	V DC	18		
Temperatura di utilizzo	°C (°F)	-15 a +50 (+5 a +122)		
Olio consigliato		AGIP ARNICA 32 o equivalenti		
Velocità di avanzamento		una rapida di avvicinamento delle matrici al connettore ed una più lenta di compressione. La commutazione da una all'altra é automatica		
Sicurezza		valvola di massima pressione		
Batteria ricaricabile	tipo	CB1840L Li-Ion		
	V / Ah (Wh)	18 / 4.0 (72)		
Peso	kg (lbs)	0,66 (1.45)		
Rumore aereo ⁽¹⁾	dB	L _{pA} 66,9 (A)	L _{pCPeak} 86,9 (C)	L _{WA} 74,9 (A)
Vibrazioni ⁽²⁾	m/s ²	0,398		

(1) Direttiva Europea 2006/42/CE, allegato 1, punto 1.7.4.2, lettera u)

L_{pA} = livello di pressione acustica continuo equivalente ponderato A nel posto di lavoro.

L_{pCPeak} = valore massimo della pressione acustica istantanea ponderata C nel posto di lavoro.

L_{WA} = Il livello di potenza acustica emessa dalla macchina.

(2) Direttiva Europea 2006/42/CE, allegato 1, punto 2.2.1.1.

Valore quadratico medio ponderato, in frequenza, dell'accelerazione cui sono esposte le membra superiori, per ciascuno degli assi biodinamici di riferimento derivante da rilievi condotti secondo le indicazioni delle Norme UNI ENV 25349 e UNI EN 28662 parte 1a, in condizioni di utilizzo ampiamente rappresentative rispetto a quelle normalmente riscontrabili.

		B1300-C B1300L-C	B1300-CE B1300L-CE	B1300-CT B1300L-CT	B1300-CA B1300L-CA
Caricabatteria ASC30-36	tipo	EU 27044000	UK 27045000	AUS/NZ 27047000	USA/CAN 27046000
Alimentazione	V / Hz (W)	220 - 240 / 50 - 60 (85)			115 / 60 (85)

AVVERTENZE



Non impiegare l'utensile per scopi diversi da quelli previsti dal costruttore. Prestare attenzione al lavoro, non distrarsi e non sbilanciarsi durante l'utilizzo.



Prima di iniziare lavori su equipaggiamenti elettrici, assicurarsi che non vi siano parti in tensione nelle immediate vicinanze della zona di lavoro; in caso contrario adottare le precauzioni necessarie per operare vicino a parti tensione in conformità alla norma EN50110-1.



Non usare questo utensile su o vicino a conduttori in tensione, senza sistemi di protezione individuale adeguati. L'inosservanza di questa precauzione potrebbe causare lesioni gravi o mortali.



L'utensile non è adatto ad un utilizzo continuo; dopo aver eseguito il numero di operazioni consecutive consentite da una batteria completamente carica, in occasione del cambio batteria consigliamo un opportuno periodo di pausa per permettere il raffreddamento dell'utensile.



Proteggere l'utensile dalla pioggia e dall'umidità, l'acqua potrebbe danneggiare l'utensile e la batteria. Gli utensili elettro-oleodinamici non dovrebbero essere usati sotto la pioggia.

2. ISTRUZIONI PER L'USO



IMPORTANTE: *Mai mettere in pressione l'utensile senza le matrici inserite, ciò potrebbe causare il danneggiamento delle sedi della testa e del pistone.*

La fornitura comprende (Rif. a Fig. 8 pag. 46):

A - utensile oleodinamico da compressione

B - batteria ricaricabile Li-Ion (2 pz)

C - caricabatterie (differente in base alla versione dell'utensile)

D - tracolla

E - valigetta di contenimento

2.1) Preparazione

Trasportare l'utensile tramite l'impugnatura principale (11) o la tracolla fornita in dotazione, agganciata ai due anelli (7) (Rif. a Fig. 5).

Le posizioni di lavoro principali sono: orizzontale poggiato sui piedini e verticale poggiato sulla batteria. Oltre all'impugnatura principale (11) nella parte inferiore è ricavata un'impugnatura supplementare (5) che permette una presa sicura e bilanciata in modo da sorreggere l'utensile con due mani (Rif. a Fig. 3).



Prima di iniziare qualsiasi lavoro, verificare lo stato di carica delle batterie (Rif. al § 2.8) se necessario ricaricarle seguendo le istruzioni riportate nel manuale d'uso del carica-batterie.

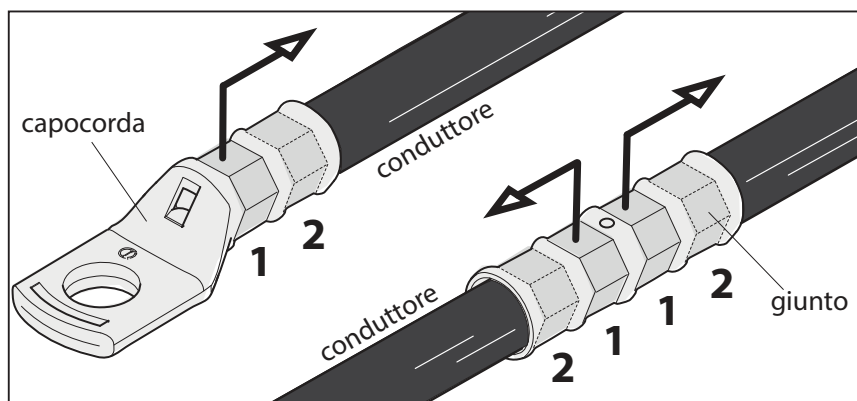
- ▶ Per la sostituzione della batteria risulta agevole impugnare l'utensile come illustrato in Fig. 1; premere il pulsante di sblocco (10) e spingere la batteria verso il basso sganciandola. Inserire la batteria carica dal basso facendola scorrere nelle guide fino al suo blocco.
- ▶ Il display permette di visualizzare i parametri operativi dell'utensile, per la sua personalizzazione procedere come descritto al § 2.7.
- ▶ Scegliere la coppia di matrici adatta al tipo di connettore da comprimere consultando il relativo catalogo.



Le operazioni di inserimento o di sostituzione delle matrici devono essere effettuate con l'utensile privo di batteria.

- ▶ Inserire le matrici nelle rispettive sedi (Rif. a Fig 2): premere il pistoncino (12) e inserire una matrice nelle guide superiori della testa fino al suo bloccaggio col pistoncino ferma matrice (13). Inserire l'altra matrice nelle guide ricavate sul pistone (16) fino al suo bloccaggio col pistoncino (15); per facilitare l'inserimento della matrice azionare l'utensile (Rif. a § 2.2) per far avanzare 8-10 mm il pistone (16) in modo da premere agevolmente il pistoncino ferma matrice (14).
- ▶ Inserire a fondo il conduttore nel connettore (Rif. a Fig. 4).
- ▶ Posizionare quest'ultimo fra le due matrici allineando la zona da comprimere con l'impronta delle matrici stesse (Rif. a Fig. 4).

NOTA: per la compressione di capicorda o giunti, ove fosse richiesta più di una compressione, procedere secondo la sequenza e nella direzione indicata in figura, distanziando uniformemente le varie compressioni.

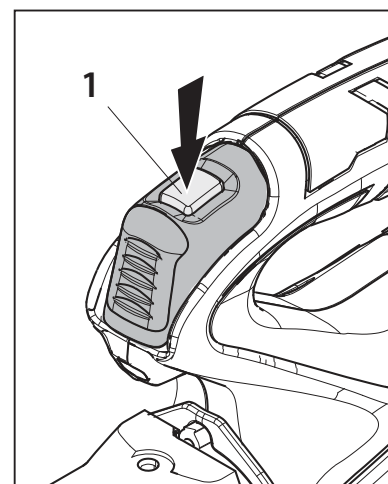


2.2) Accostamento delle matrici

- ▶ Premere il pulsante di azionamento (1) per avviare il gruppo motore-pompa, inizierà l'avvicinamento delle matrici al connettore (Rif. a Fig. 4).
- ▶ Per ottenere l'immediato arresto sia del motore che del movimento delle matrici rilasciare il pulsante di azionamento.



Assicurarsi che le matrici si trovino esattamente in corrispondenza con la zona da comprimere; in caso contrario riaprirle seguendo le istruzioni al § 2.4 e riposizionare il connettore.



2.3) Compressione

- ▶ Mantenendo premuto il pulsante di azionamento (1) il pistone avanzerà progressivamente fino a portare le matrici in battuta tra loro.
- ▶ L'utensile si arresterà automaticamente al raggiungimento della pressione di taratura.



Per effettuare una corretta compressione, mantenere premuto il pulsante di azionamento (1) fino allo spegnimento automatico del motore.

NOTA: Per visualizzare la forza o la pressione istantanee durante il ciclo di lavoro, impostare le relative schermate (rif. al § 4). Rilasciando il pulsante di azionamento prima dell'arresto automatico del motore, il display mostrerà i valori di forza di picco (F_p) o di pressione di picco (P_p) raggiunti in quel momento.

Per completare il lavoro, premere nuovamente il pulsante di azionamento fino all'arresto automatico del motore; il display mostrerà la forza o la pressione massima raggiunte, seguite dalla scritta "OK" a conferma della corretta operazione.

$F_m = 125.2 \text{ kN}$
 $F_p = 102.3 \text{ kN}$

$F_m = 125.2 \text{ kN}$
OK

$P_m = 692 \text{ bar}$
 $P_p = 565 \text{ bar}$

$P_m = 692 \text{ bar}$
OK



Il messaggio "ERROR" associato a segnale acustico e lampeggiamento dei led indica una procedura di compressione non corretta, dovuta ad un'interruzione anticipata del ciclo di lavoro prima del raggiungimento dei parametri di regolazione (forza/pressione) dell'utensile. Questo errore compare se il pulsante di sblocco pressione è stato premuto e l'utensile ha già raggiunto una pressione >100 bar. In tal caso ripetere la compressione tenendo premuto il pulsante di azionamento fino allo spegnimento automatico del motore.

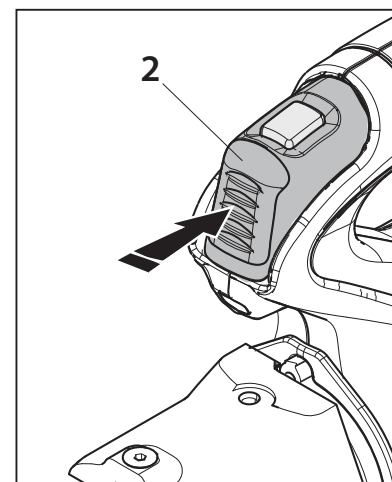


2.4) Sblocco delle matrici

- Premendo il pulsante di sblocco pressione (2) si otterrà il ritorno del pistone con conseguente apertura delle matrici.
- Per togliere le matrici dalla testa, sfilarle premendo i pistoncini (12) e (14) (Rif. a Fig. 2).

2.5) Led

Durante l'azionamento dell'utensile, la zona di compressione è illuminata da due led ad alta luminosità che si spengono automaticamente a fine ciclo.



L'accensione dei LED può essere disattivata seguendo la procedura descritta al § 4.2.

2.6) Rotazione della testa

La testa dell'utensile può ruotare di 180° rispetto al corpo, permettendo così all'operatore di eseguire il lavoro nella posizione più agevole.



Non ruotare la testa forzandola quando l'utensile è in pressione.

2.7) Tasto capacitivo a sfioramento

Il tasto è posto sotto il display e permette di selezionare le varie schermate (Rif. al § 4); funziona solamente a display acceso ed è sufficiente sfiorarlo a mani nude, l'utilizzo di guanti o altri oggetti potrebbe inibirne l'azionamento.

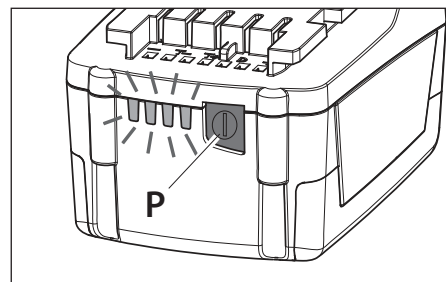




Mai premere con forza sul tasto a sfioramento; è sufficiente sfiorarlo con un dito, a mani nude. L'impulso del comando verrà inviato al rilascio del dito.

2.8) Autonomia della batteria

- ▶ La batteria è provvista di indicatori a led che consentono di conoscerne l'autonomia residua in qualsiasi momento, premendo il pulsante (P):
 - 4 led accesi: massima autonomia
 - 2 led accesi: autonomia al 50 %
 - 1 led lampeggiante: minima autonomia, sostituire la batteria.
- ▶ Con batteria inserita nell'utensile è possibile verificare l'autonomia residua anche sul display, agendo sul pulsante a sfioramento (Rif. al § 4).



La schermata a fianco indica che la batteria è scarica e che la sua tensione è scesa sotto una soglia minima di sicurezza; in queste condizioni l'utensile non si avvia, procedere quindi alla ricarica o sostituire la batteria. Indicativamente il tempo per ricaricare completamente una batteria scarica è di circa 80 min.



Dopo ogni ciclo di lavoro, così come dopo l'estrazione della batteria dal suo alloggiamento nell'utensile, un dispositivo elettronico provvede all'autospegnimento della batteria dopo 70 s (circa). A conferma di tale attività il LED più vicino al pulsante (P) lampeggerà 5 volte a distanza di 14 s (circa). La batteria si riattiverà con il suo reinserimento nell'utensile e alla pressione del pulsante di azionamento.

2.9) Utilizzo del caricabatterie

Seguire attentamente le istruzioni dettagliate sul relativo manuale d'uso.

3. MANUTENZIONE

L'utensile è robusto, completamente sigillato e non richiede attenzioni particolari per ottenere un corretto funzionamento basterà osservare alcune semplici precauzioni:

3.1) Accurata pulizia

Tenere presente che la polvere, la sabbia e lo sporco rappresentano un pericolo per ogni apparecchiatura oleodinamica. Dopo ogni giorno d'uso si deve ripulire l'utensile con uno straccio pulito, avendo cura di eliminare lo sporco depositatosi su di esso, specialmente vicino alle parti mobili. Non usare idrocarburi per la pulizia delle parti in gomma.

3.2) Custodia

Per proteggere l'utensile da urti accidentali e dalla polvere, è bene custodirlo nell'apposita valigetta in materiale plastico accuratamente chiusa. La valigetta (tipo VAL P41) è adatta al contenimento dell'utensile, degli accessori e fino a 12 coppie tra matrici e prearrotondatori; ha dimensioni 691x456x176 mm (27.2x17.9x6.9 inches) e pesa 4 kg (8.8 lbs.).

4. DISPLAY

Il display a tecnologia OLED si attiva con l'azionamento dell'utensile e si disattiva automaticamente dopo circa 60 sec. di inutilizzo dell'utensile.

Il display permette di visualizzare:

- I parametri operativi principali di funzionamento dell'utensile elaborati dalla scheda elettronica, quali pressione o forza sviluppata.
- Informazioni sullo stato dell'utensile quali livello di carica, temperatura della batteria e necessità di manutenzione.
- Eventuali ERRORI di funzionamento o procedurali.

E' possibile navigare nel menu attraverso il tasto a sfioramento (8) e gestire le SCHERMATE DI INFORMAZIONE E DI SELEZIONE:

4.1) SCHERMATE DI INFORMAZIONE: permettono di visualizzare sul display un determinato parametro che poi comparirà ad ogni avvio dell'utensile e durante tutto il ciclo di lavoro.

F_m = 125.2 kN
F_p = 94.5 kN

F_m: Forza minima garantita, espressa in kN
F_p: Forza istantanea sviluppata, espressa in kN
(schermata come da impostazione standard di fabbrica)



F_m = 14.07 ton
F_p = 10.61 ton

F_m: Forza minima garantita, espressa in tonnellate corte (USA)
F_p: Forza istantanea sviluppata, espressa in tonnellate corte (USA)



P_m = 692 bar
P_p = 522.3 bar

P_m: Pressione minima garantita, espressa in bar.
P_p: Pressione istantanea sviluppata, espressa in bar.



P_m = 10037 psi
P_p = 7575 psi

P_m: Pressione minima garantita, espressa in psi
P_p: Pressione istantanea sviluppata, espressa in psi



livello di carica della batteria



 **1000**
-12000

n° di cicli effettuati.
n° di cicli mancanti alla manutenzione ordinaria.



 **B1300**
NR 14AF035

logo Cembre, modello utensile
n° di serie utensile



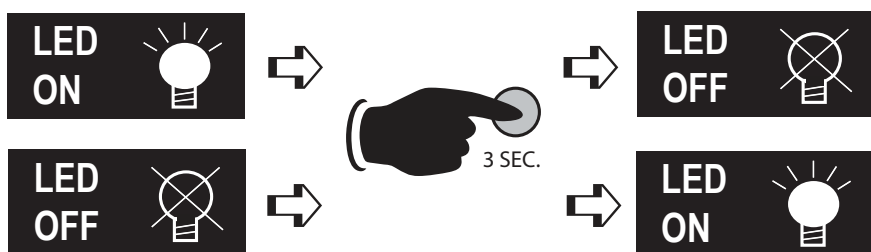
Visualizzata la schermata prescelta, per renderla operativa e fissa ad ogni avvio dell'utensile, agire con un tocco prolungato (almeno 3 sec) sul tasto a sfioramento; un segnale acustico continuo confermerà l'avvenuta impostazione.



Il tasto capacitivo a sfioramento potrebbe non funzionare se sfiorato con oggetti o indossando guanti, agire su di esso a mani nude.

4.2) SCHERMATE DI SELEZIONE: permettono di variare alcuni parametri di regolazione, non sono impostabili come automatiche all'avvio dell'utensile, ma richiamabili solo tramite il tasto a sfioramento:

Attivazione/disattivazione dei led (impostazione standard di fabbrica LED ON)



Visualizzata la schermata, per disattivare o riattivare l'accensione dei led durante l'utilizzo dell'utensile, agire con un tocco prolungato (almeno 3 sec) sul tasto a sfioramento; un segnale acustico continuo confermerà l'avvenuta impostazione.

Ritorno alle impostazioni di fabbrica iniziali / Versione Firmware.

Visualizzata la schermata "RESET", per riportare l'utensile alle impostazioni di fabbrica iniziali agire con un tocco prolungato (almeno 3 sec.) sul tasto a sfioramento; un segnale acustico continuo confermerà l'avvenuta impostazione.



La schermata RESET mostra inoltre la versione del firmware della scheda elettronica.

4.3) AVVERTIMENTI: appaiono durante il funzionamento e informano l'operatore sullo stato dell'utensile:



BATTERIA SCARICA: procedere alla sua sostituzione.

NOTA: quando la tensione della batteria scende al di sotto di una soglia minima di sicurezza, l'utensile non si avvia; è possibile comunque concludere il ciclo di lavoro in atto.








TEMPERATURA ELEVATA DELLA BATTERIA: estrarre la batteria e attendere il suo raffreddamento.



RAGGIUNTO IL N° DI CICLI PREVISTO PER LA MANUTENZIONE ORDINARIA: l'utensile continua a funzionare, è consigliabile un suo invio alla Cembre per una completa revisione (Rif. al § 5).

NOTA: questo messaggio, unitamente ad un segnale acustico, si ripresenterà sempre dopo 30 sec. di inattività, dall'ultimo utilizzo dell'utensile.

4.4) ERRORI: appaiono durante il funzionamento e sono associati ad un segnale acustico ed al lampeggiamento dei led, informano l'operatore su eventuali errori procedurali o di funzionamento.

Messaggio	Descrizione dell'errore	Soluzione
	Azionamento del pulsante di sblocco pressione (2) prima del raggiungimento dei parametri di regolazione (forza/pressione).	Ripetere il ciclo di lavoro attendendo l'arresto automatico del motore.
	Assorbimento anomalo di corrente del motore per più di 3 sec. L'utensile si ferma.	Attendere lo spegnimento del display (60 sec.) oppure estrarre e reinserire la batteria quindi, riavviare l'utensile. Se l'errore si ripresenta frequentemente, contattare la Cembre.
	Tensione in uscita del trasmettitore di pressione non compresa nell'intervallo prestabilito.	Ripetere il ciclo di lavoro, se l'errore si ripresenta frequentemente, contattare la Cembre.
	Mancato raggiungimento della pressione di taratura entro 30 sec. dall'azionamento continuo dell'utensile.	Ripetere il ciclo di lavoro, se l'errore si ripresenta frequentemente, contattare la Cembre.
	Sovraccarico della batteria con intervento della protezione. L'utensile si ferma.	Attendere lo spegnimento del display (60 sec.) oppure estrarre e reinserire la batteria quindi, riavviare l'utensile. Se l'errore si ripresenta frequentemente, contattare la Cembre.

 ***I messaggi di errore rimangono visualizzati sul display per circa 30 sec. quindi l'errore viene resettato; si ripresentano in caso di anomalia permanente.***

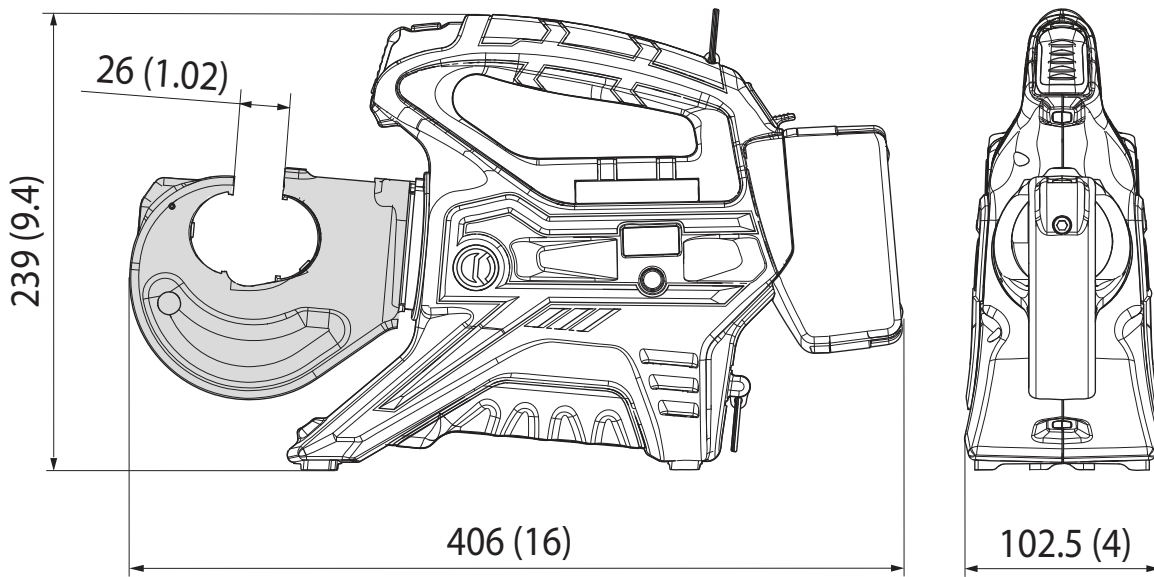
Le seguenti informazioni riguardano gli stati membri dell'Unione Europea:

INFORMAZIONE AGLI UTENTI ai sensi dell'art. 13 del Decreto Legislativo 25 Luglio 2005, n. 151 "Attuazione delle Direttive 2002/95/CE e 2002/96/CE.

Il simbolo del cassonetto barrato riportato sull'apparecchiatura o sulla sua confezione indica che il prodotto, alla fine della sua vita utile, deve essere raccolto separatamente dagli altri rifiuti.

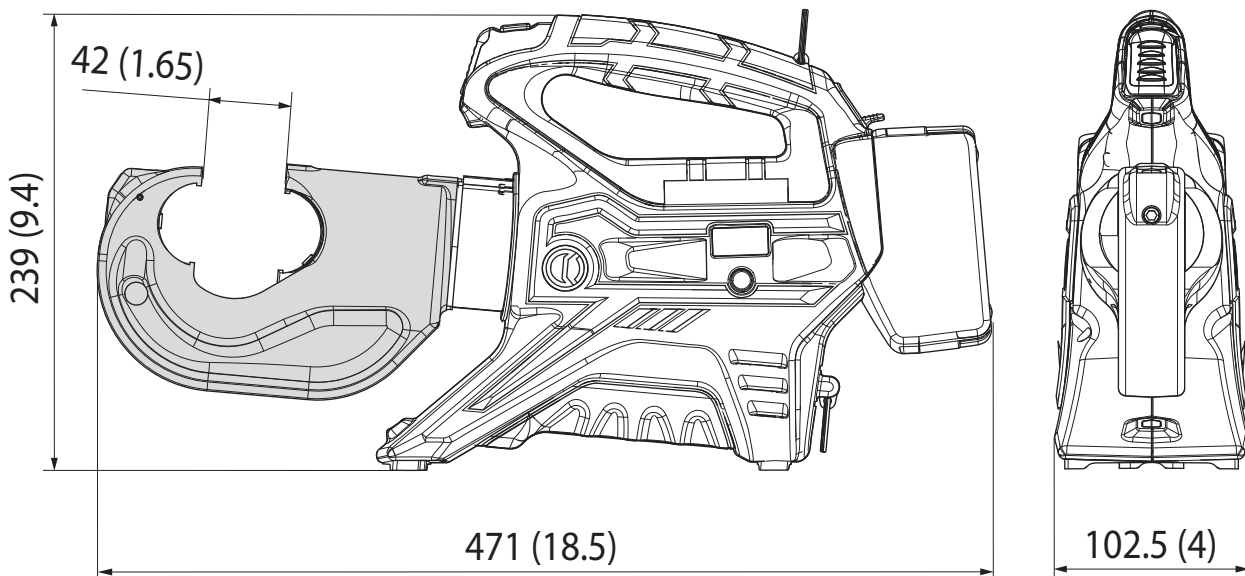
La raccolta differenziata della presente apparecchiatura giunta a fine vita è organizzata e gestita dal produttore. L'utente che vorrà disfarsi della presente apparecchiatura dovrà quindi contattare il produttore e seguire il sistema che questo ha adottato per consentire la raccolta separata dell'apparecchiatura giunta a fine vita. L'adeguata raccolta differenziata per l'avvio successivo dell'apparecchiatura dismessa al riciclaggio, al trattamento ed allo smaltimento ambientalmente compatibile contribuisce ad evitare possibili effetti negativi sull'ambiente e sulla salute e favorisce il reimpiego e/o il riciclo dei materiali di cui è composta l'apparecchiatura. Lo smaltimento abusivo del prodotto da parte del detentore comporta l'applicazione delle sanzioni amministrative di cui all'articolo 50 e seguenti del D.Lg. n. 22/1997.

FIG. / BILD 6 **B1300-C**



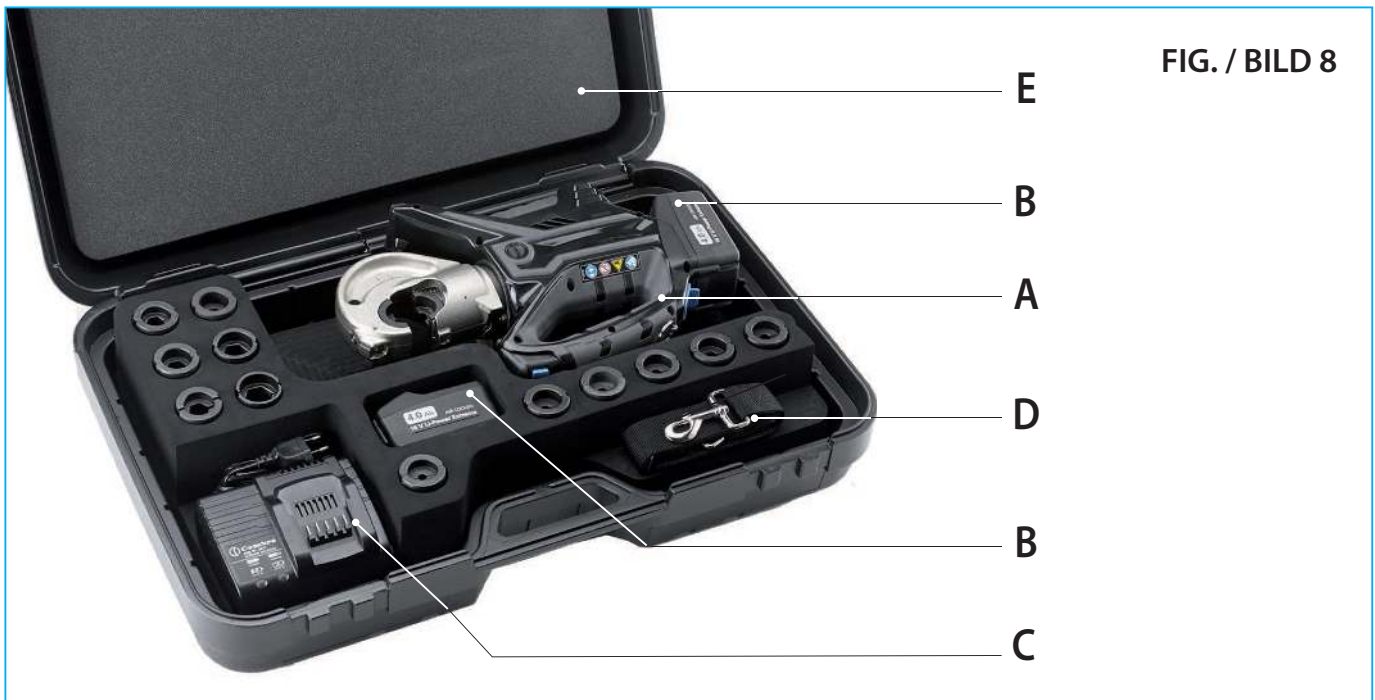
mm (inch)

FIG. / BILD 7 **B1300L-C**



mm (inch)

FIG. / BILD 8



5. RETURN TO **Cembre** FOR OVERHAUL

In the case of a breakdown, contact your local Agent who will advise you on the problem and give you the necessary instructions on how to dispatch the tool to our nearest service Centre; if possible, attach a copy of the **Cembre** Test Certificate supplied with the tool or, if no other references are available, indicate the approximate purchase date and the tool serial number.

5. ENVOI EN REVISION A **Cembre**

En cas de dysfonctionnement de l'appareil, merci de vous adresser à notre Agent Régional qui vous conseillera et le cas échéant vous donnera les instructions nécessaires pour envoyer l'outil à notre Centre de Service le plus proche. Dans ce cas, joindre une copie du Certificat d'Essai livré par **Cembre** avec l'outil ou, à défaut d'autres éléments de référence, indiquer la date d'achat approximative et numéro de série.

5.EINSCHICKEN AN **Cembre** ZUR ÜBERPRÜFUNG

Sollten am Gerät Fehler auftauchen, wenden Sie sich bitte an unsere Gebietsvertretung, welche Sie gerne beraten und Ihnen alle nötigen Informationen zum Einschicken des Gerätes an unseren Hauptsitz geben wird. Wenn vorhanden, legen Sie dem Gerät bitte das von **Cembre** mitgelieferte Überprüfungs-zertifikat bei. In Ermangelung dieser Informationen geben Sie bitte an, wann Sie das Gerät erworben haben.

5. DEVOLUCION A **Cembre** PARA REVISIONES

En caso de fallo de la herramienta, contactar con nuestro Agente de Zona quien les aconsejará y eventualmente les facilitará las instrucciones necesarias para remitir la herramienta a nuestro centro de servicio más cercano. En tal caso, adjuntar a ser posible una copia del Certificado de Ensayo entregado en su día por **Cembre** con la herramienta o a falta de otro elemento de referencia indicar la fecha de compra aproximada y el número de serie.

5. RESA ALLA **Cembre** PER REVISIONE

In caso di guasto contattare il nostro Agente di Zona il quale vi consiglierà in merito e fornirà le istruzioni necessarie per l'invio dell'utensile alla nostra Sede; se possibile, allegare copia del Certificato di Collaudo a suo tempo fornito dalla **Cembre** con l'utensile oppure, in mancanza di altri riferimenti, indicare la data approssimativa di acquisto.

Cembre Ltd.

Dunton Park
Kingsbury Road, Curdworth - Sutton Coldfield
West Midlands B76 9EB (**Great Britain**)
Tel.: 01675 470440 - Fax: 01675 470220
E-mail: sales@cembre.co.uk
www.cembre.co.uk

Cembre España S.L.

Calle Verano, 6 y 8 - P.I. Las Monjas
28850 Torrejón de Ardoz - Madrid (**España**)
Teléfono: 91 4852580
Telefax: 91 4852581
E-mail: comercial@cembre.es
www.cembre.es

Cembre GmbH

Heidemannstraße 166
80939 München (**Deutschland**)
Telefon: 089/3580676
Telefax: 089/3580677
E-mail: sales@cembre.de
www.cembre.de

Cembre S.a.r.l.

22 Avenue Ferdinand de Lesseps
91420 Morangis (**France**)
Tél.: 01 60 49 11 90 - Fax: 01 60 49 29 10
B.P. 37 - 91421 Morangis Cédex
E-mail: info@cembre.fr
www.cembre.fr

Cembre AS

Fossnes Senter
N-3160 Stokke (**Norway**)
Phone: (47) 33361765
Telefax: (47) 33361766
E-mail: sales@cembre.no
www.cembre.no

Cembre Inc.

Raritan Center Business Park
181 Fieldcrest Avenue
Edison, New Jersey 08837 (**USA**)
Tel.: (732) 225-7415 - Fax: (732) 225-7414
E-mail: sales.US@cembreinc.com
www.cembreinc.com

This manual is the property of **Cembre**: any reproduction is forbidden without written permission.
Ce manuel est la propriété de **Cembre**: toute reproduction est interdite sauf autorisation écrite.
Der Firma **Cembre** bleibt das Eigentumsrecht der Bedienungsanleitung vorbehalten.
Ohne vorherige schriftliche Genehmigung darf die Bedienungsanleitung weder vollständig noch teilweise vervielfältigt werden.
Este manual es propiedad de **Cembre**. Toda reproducción está prohibida sin autorización escrita.
Questo manuale è di proprietà della **Cembre**: ogni riproduzione è vietata se non autorizzata per scritto.

**C e m b r e**www.cembre.com

cod. 6261382

Cembre S.p.A.

Via Serenissima, 9
25135 Brescia (**Italia**)
Telefono: 030 36921
Telefax: 030 3365766
E-mail: sales@cembre.com
www.cembre.it

