



# INSTALLATION INSTRUCTIONS FOR A2 CABLE GLAND

CABLE GLAND FOR USE WITH UNARMoured AND BRAID ARMoured CABLES

## CABLE GLAND TYPE A2



**TECHNICAL DATA**

CABLE GLAND TYPE : A2  
 INGRESS PROTECTION : IP66, IP67, IP68, NEMA 4X  
 PROCESS CONTROL SYSTEM : BS EN ISO 9001

**CLASSIFICATION**

CSA CERTIFICATION NO : 1211841  
 CSA CERTIFICATION CODE : CSA ENCLOSURE TYPE 4X

**INSTALLATION INSTRUCTIONS**

Installation should only be performed by a competent person using the correct tools. Spanners should be used for tightening. Read all instructions before beginning installation.

**SPECIAL CONDITIONS FOR SAFE USE**

None.

**ACCESSORIES**

The following accessories are available from CMP Products, as optional extras, to assist with fixing, sealing and earthing :-  
 Locknut, Earth Tag, Serrated Washer, Entry Thread (I.P.) Sealing Washer, Shroud

Cable Gland Size	Available Entry Threads (Alternate Metric Thread Lengths Available)					Overall Cable Diameter		Across Flats	Across Corners	Protrusion Length	Combined Ordering Reference (*Brass Metric)			Shroud	Cable Gland Weight (Kgs)
	Metric	Standard		Option		Min	Max	Max	Max		Size	Type	Ordering Suffix		
		Thread Length (Metric)	NPT	Thread Length (NPT)	NPT										
20s16	M20	10.0	1/2"	19.9	3/4"	3.2	8.7	24.0	26.4	25.1	20S16	A2	1RA	PVC04	0.070
20S	M20	10.0	1/2"	19.9	3/4"	6.1	11.7	24.0	26.4	25.1	20S	A2	1RA	PVC04	0.060
20	M20	10.0	1/2"	19.9	3/4"	6.5	14.0	27.0	29.7	27.2	20	A2	1RA	PVC05	0.070
25	M25	10.0	3/4"	20.2	1"	11.1	20.0	36.0	39.6	35.5	25	A2	1RA	PVC09	0.130
32	M32	10.0	1"	25.0	1 1/4"	17.0	26.3	41.0	45.1	34.2	32	A2	1RA	PVC10	0.150
40	M40	15.0	1 1/4"	25.6	1 1/2"	23.5	32.2	50.0	55.0	35.1	40	A2	1RA	PVC13	0.200
50S	M50	15.0	1 1/2"	26.1	2"	31.0	38.2	55.0	60.5	32.0	50S	A2	1RA	PVC15	0.260
50	M50	15.0	2"	26.9	2 1/2"	35.6	44.0	60.0	66.0	36.3	50	A2	1RA	PVC18	0.270
63S	M63	15.0	2"	26.9	2 1/2"	41.5	49.9	70.5	77.6	33.5	63S	A2	1RA	PVC21	0.430
63	M63	15.0	2 1/2"	39.9	3"	47.2	55.9	75.0	82.5	35.8	63	A2	1RA	PVC23	0.460
75S	M75	15.0	2 1/2"	39.9	3"	54.0	61.9	80.0	88.0	34.2	75S	A2	1RA	PVC24	0.520
75	M75	15.0	3"	41.5	3 1/2"	61.1	67.9	84.0	92.4	40.6	75	A2	1RA	PVC26	0.500
90	M90	24.0	3 1/2"	42.8	4"	66.6	79.9	108.0	118.8	58.3	90	A2	1RA	PVC31	1.600
100	M100	24.0	4"	44.0	5"	76.0	91.0	123.0	135.3	55.2	100	A2	1RA	LSF33	1.780
115	M115	24.0	4"	44.0	5"	86.0	97.9	133.4	146.7	65.2	115	A2	1RA	LSF34	2.670
130	M130	24.0	5"	46.8	6"	97.0	114.9	152.4	167.6	73.9	130	A2	1RA	LSF35	3.800

\*For material options add the following suffix to the Ordering Reference; Brass (no suffix required); Nickel Plated Brass '5'; 316 Grade Stainless Steel '4'; Copper Free Aluminium '1'  
 For NPT options add the following digits to the material suffix; 1/2" = 31; 3/4" = 32; 1" = 33; 1 1/4" = 34; 1 1/2" = 35; 2" = 36; 2 1/2" = 37; 3" = 38; 3 1/2" = 39; 4" = 310 (Brass requires prefix '0')  
 Examples: 32A21RA534 = Nickel Plated Brass 1-1/4" NPT, 50SA21RA035 = Brass 1-1/2" NPT, 25A21RA432 = Stainless Steel 3/4" NPT, 20A21RA5 = Nickel Plated Brass M20  
 Dimensions are displayed in millimetres unless otherwise stated

Note: Standard Seal (Black) Temperature Range = -60°C to +130°C,  
 High Temperature Seal (Brown) Temperature Range = -20°C to +200°C for High Temperature Seal add 'HT' to Ordering Reference after Gland Type e.g. 20SA2HT1RA.

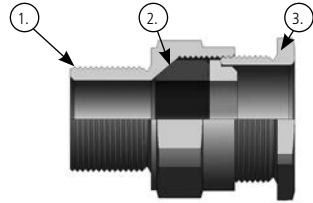


**Thorne & Derrick**  
 +44 (0) 191 410 4292  
 www.powerandcables.com

# INSTALLATION INSTRUCTIONS FOR CMP CABLE GLAND TYPES A2

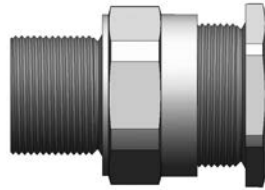
**CABLE GLAND COMPONENTS** - It is not necessary to dismantled the cable gland any further than illustrated below

- 1. Entry Item
- 2. Seal
- 3. Seal Nut

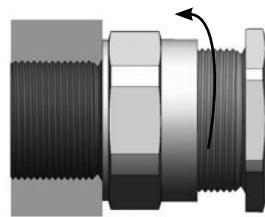


## PLEASE READ ALL INSTRUCTIONS CAREFULLY BEFORE BEGINNING THE INSTALLATION

1. It is not necessary to dismantle the gland any further than illustrated below.



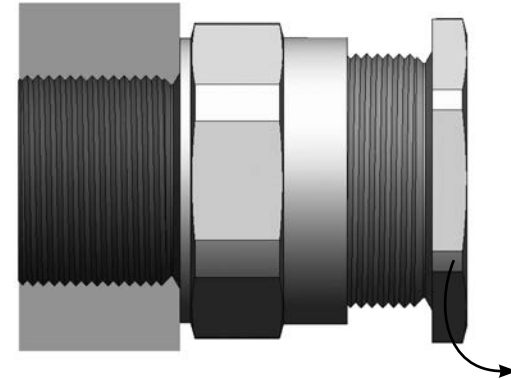
2. Fit the gland into the equipment and fully tighten the entry item (1).



3. Determine the conductor length required to suit the installation and prepare the cable accordingly, removing part of the outer sheath where required to reveal the insulated conductors.



4. Slacken the seal nut (3) to relax the seal (2).



5. Pass the cable through the gland to the desired position, then tighten the seal nut by hand until resistance is felt (when the seal contacts the cable). Tighten with a spanner one further turn.

