



TECHNICAL DATA

CABLE GLAND TYPE : C2K-GP
 INGRESS PROTECTION : IP66, IP67, IP68, DELUGE TO DTS01-91
 PROCESS CONTROL SYSTEM : BS EN ISO 9001

INSTALLATION INSTRUCTIONS

Installation should only be performed by a competent person using the correct tools. Read all instructions before beginning installation.

ACCESSORIES

The following accessories are available from CMP Products, as optional extras, to assist with fixing, sealing and earthing :- Locknut, Earth Tag, Serrated Washer, Entry Thread (I.P) Sealing Washer, Shroud

INSTALLATION INSTRUCTIONS FOR CMP CABLE GLAND TYPE C2K-GP

FOR TERMINATION OF CABLES WITH WIRE BRAID, TAPE ARMOUR (STA/DSTA), STRIP ARMOUR AND SINGLE WIRE ARMOUR (SWA).

CABLE GLAND TYPE C2K-GP

Number of turns to tighten	Outer Seal Tightening Guide													
	GLAND SIZE													
	20S16	20S	20	25S	25	32	40	50S	50	63S	63	75S	75	
	CABLE DIAMETER													
0.5	13.2	15.9	20.9	22.0	26.2	33.9								
1	12.5	15.3	20.0	21.2	25.4	32.9	40.4	46.7	52.8	59.2	65.9	72.1	78.5	
1.5	11.9	14.7	19.0	20.4	24.6	31.9	39.0	45.4	51.4	57.7	64.6	70.6	77.2	
2	11.2	14.2	18.1	19.6	23.8	30.8	37.6	44.1	50.0	56.2	63.4	69.2	75.9	
2.5	10.5	13.6	17.2	18.8	23.0	29.8	36.2	42.9	48.7	54.7	62.1	67.7	74.6	
3	9.8	13.0	16.2	18.0	22.2	28.8	34.8	41.6	47.3	53.2	60.9	66.3	73.3	
3.5	9.2	12.4	15.3	17.2	21.4	27.8	33.5	40.3	45.9	51.6	59.6	64.8	71.9	
4	8.5	11.8	14.4	16.4	20.6	26.8	32.1	39.0	44.5	50.1	58.4	63.4	70.6	
4.5	7.8	11.2	13.4	15.6	19.8	25.7	30.7	37.8	43.2	48.6	57.1	61.9	69.3	
5	7.1	10.7	12.5	14.8	19.0	24.7	29.3	36.5	41.8	47.1	55.9	60.5	68.0	
5.5	6.5	10.1	12.0	14.0	18.2	23.7	27.9	35.2	40.4	45.6	54.6	59.0	66.7	
6	5.8	9.5												

Cable Gland Size	Available Entry Threads (Alternate Metric Thread Lengths Available)		Cable Bedding Diameter		Overall Cable Diameter		Armour Range †						Protrusion Length	Combined Ordering Reference (*Brass Metric)			Shroud	Cable Gland Weight (Kgs)
	Metric	Thread Length (Metric)	Max	Min	Max	Grooved Cone (X)		Stepped Cone (W)		Across Flats	Across Corners	Size		Type	Ordering Suffix			
						Min	Max	Min	Max									
20s16	M20	10.0	8.7	6.1	13.1	0.3	1.0	0.8	1.25	30.5	33.6	65.0	20S16	C2KGP	1RA	PVC06	0.23	
20S	M20	10.0	11.7	9.5	15.9	0.3	1.0	0.8	1.25	30.5	33.6	62.0	20S	C2KGP	1RA	PVC06	0.22	
20	M20	10.0	14.0	12.5	20.9	0.4	1.0	0.8	1.25	30.5	33.6	63.0	20	C2KGP	1RA	PVC06	0.22	
25S	M25	10.0	20.0	14.0	22.0	0.4	1.2	1.25	1.6	37.5	41.3	69.5	25S	C2KGP	1RA	PVC09	0.35	
25	M25	10.0	20.0	18.2	26.2	0.4	1.2	1.25	1.6	37.5	41.3	69.5	25	C2KGP	1RA	PVC09	0.35	
32	M32	10.0	26.3	23.7	33.9	0.4	1.2	1.6	2.0	46.0	50.6	75.0	32	C2KGP	1RA	PVC11	0.55	
40	M40	15.0	32.2	27.9	40.4	0.4	1.6	1.6	2.0	55.0	60.5	75.0	40	C2KGP	1RA	PVC15	0.75	
50S	M50	15.0	38.2	35.2	46.7	0.4	1.6	2.0	2.5	60.0	66.0	77.0	50S	C2KGP	1RA	PVC18	0.86	
50	M50	15.0	44.1	40.4	53.0	0.6	1.6	2.0	2.5	70.1	77.1	77.0	50	C2KGP	1RA	PVC21	1.13	
63S	M63	15.0	50.0	45.6	59.4	0.6	1.6	2.0	2.5	75.0	82.5	80.0	63S	C2KGP	1RA	PVC23	1.33	
63	M63	15.0	56.0	54.6	65.8	0.6	1.6	2.0	2.5	80.0	88.0	80.0	63	C2KGP	1RA	PVC25	1.34	
75S	M75	15.0	62.0	59.0	72.0	0.6	1.6	2.0	2.5	90.0	99.0	87.0	75S	C2KGP	1RA	PVC28	2.02	
75	M75	15.0	68.0	66.7	78.4	0.6	1.6	2.5	3.0	100.0	110.0	88.0	75	C2KGP	1RA	PVC30	2.48	
90	M90	24.0	80.0	76.2	90.3	0.8	1.6	3.15	4.0	115.0	126.5	102.0	90	C2KGP	1RA	PVC32	3.52	
100	M100	24.0	91.0	86.1	101.4	0.8	1.6	3.15	4.0	127.0	139.7	114.0	100	C2KGP	1RA	LSF33	4.57	
115	M115	24.0	98.0	101.5	110.2	0.8	1.6	3.15	4.0	133.4	146.7	114.0	115	C2KGP	1RA	LSF34	6.50	
130	M130	24.0	115.0	110.2	123.2	0.8	1.6	3.15	4.0	152.4	167.6	114.0	130	C2KGP	1RA	LSF35	8.50	

*For material options add the following suffix to the Ordering Reference; Brass (no suffix required); Nickel Plated Brass 'S'; 316 Grade Stainless Steel '4'; Copper Free Aluminium '1'
 For NPT options please add the following digits to the material suffix; 1/2" = 31, 3/4" = 32, 1" = 33, 1 1/4" = 34, 1 1/2" = 35, 2" = 36, 2 1/2" = 37, 3" = 38, 3 1/2" = 39, 4" = 310 (Brass requires prefix "0")

Examples: 32C2KGP1RA534 = Nickel Plated Brass 1-1/4" NPT, 50S2KGP1RA035 = Brass 1-1/2" NPT, 25C2KGP1RA432 = Stainless Steel 3/4" NPT, 20C2KGP1RA5 = Nickel Plated Brass M20

Dimensions are displayed in millimetres unless otherwise stated

*Stepped cone is for single wire armour and grooved cone is for all other armours



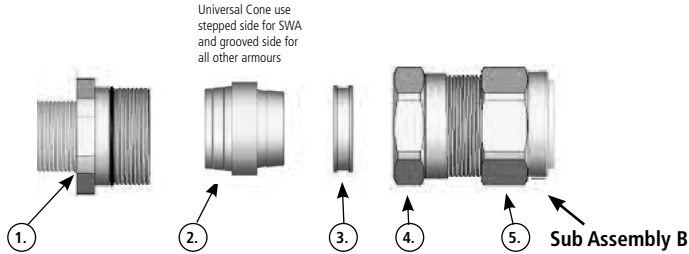
**THORNE &
DERRICK
INTERNATIONAL**

Thorne & Derrick
 +44 (0) 191 410 4292
 www.powerandcables.com

INSTALLATION INSTRUCTIONS FOR CMP CABLE GLAND TYPES C2K-GP

CABLE GLAND COMPONENTS - It is not necessary to dismantled the cable gland any further than illustrated below

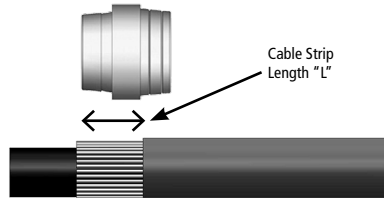
- 1. Entry Component
- 2. Detachable Armour Cone
- 3. AnyWay Clamping Way
- 4. Body
- 5. Outer Seal Nut



PLEASE READ ALL INSTRUCTIONS CAREFULLY BEFORE BEGINNING THE INSTALLATION

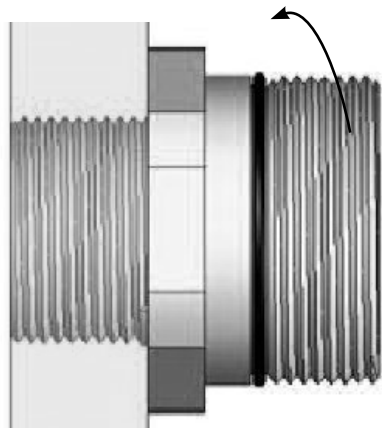
1. Slacken the Outer Seal Assembly (5), but do not remove it from the Body (4). Separate the gland components by removing the Body (4) and the Outer Seal Assembly (5) as one unit. (Note that the Reversible Armour Cone (2) and AnyWay Clamping Ring (3) are loose items). Pass the Body (4), Outer Seal Assembly (5) and AnyWay Clamping Ring (3) over the cable, Outer Seal Assembly (5) first.

2. Prepare the cable by stripping back the outer sheath and braid or armour to suit the equipment. Expose the braid or armour further so that it can be formed around the armour cone by cutting back the outer sheath by a length "L". This length varies slightly depending upon the cable diameter, but typical values are shown below.

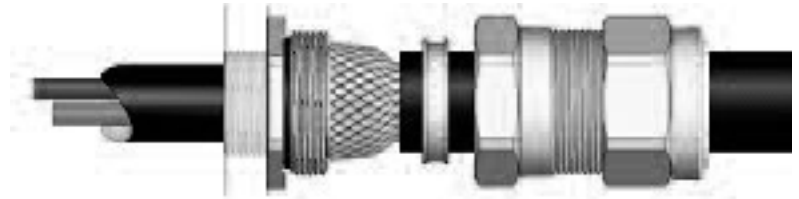


CABLE GLAND SIZE	20S/16, 20S, 20	25S, 25, 32, 40	50S, 50, 63S, 63	75S, 75, 90, 100, 115, 130
CABLE STRIP LENGTH "L"	12 mm (0.472 inches)	15 mm (0.591 inches)	18 mm (0.709 inches)	20 mm (0.787 inches)

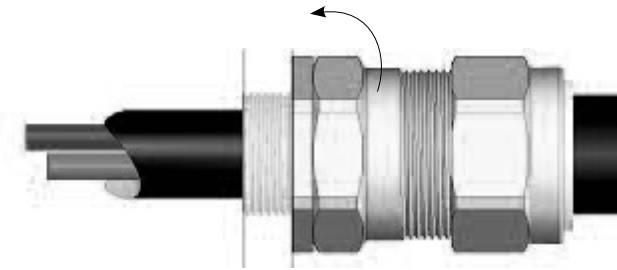
3. Secure the Entry Component (1) to the equipment by tightening with a spanner.



4. Locate the Reversible Armour Cone (2) in the Entry Component (1). Stepped side outwards for SWA, grooved side outwards for all other cable types. Pass the cable through the Cone (2) and Entry Component (1), evenly spacing the braid or armour around the Cone (2).



5. While continuing to gently push the cable forward to keep the braid or armour in contact with the Cone (2), tighten the Body (4) first by hand and then with a spanner until the Body (4) is fully tightened onto the Entry Component (1) and no threads are visible.



6. Only using finger pressure, tighten the outer seal nut assembly (5) until light resistance to tightening is met.

Then either use the outer seal tightening guide tape or table on the rear of the page to determine how much further to tighten the seal using a spanner (using the outer seal tightening guide is recommended).

Wrap the outer seal tightening guide tape around the cable to show the amount of spanner turns needed (as shown here). Make sure the correct side of the outer seal tightening guide tape is used depending on the cable gland size.

