



THORNE &
DERRICK
INTERNATIONAL

Thorne & Derrick
+44 (0) 191 410 4292
www.powerandcables.com

EUROMOLD®

INTERFACE C
MEDIUM VOLTAGE COMPACT
SEPARABLE CONNECTORS

CATALOGUE 2017




BRINGS ENERGY TO LIFE

COMPANY PRESENTATION



EUROMOLD

Euromold is the leading European specialised designer, manufacturer and distributor of prefabricated cable accessories for medium voltage energy distribution. Euromold provides a complete range of accessories for underground cables: premoulded EPDM rubber connectors for cables and epoxy bushings for transformers and switchgear, as well as a large range of cold-shrinkable terminations and joints from 12 to 42 kV.

Euromold is also the manufacturer of electrical components for the high voltage accessories of the Nexans group.

ISO 9001 Certificate

Since 1992, Euromold's commitment to quality is demonstrated by its ISO 9001 certification.

International standards

All our products meet the International standards like CENELEC HD 629.1, CENELEC EN 50180, IEC 60137, IEC 60502-4... or country specifications. Official certificates, CESI, KEMA, ATEX... prove the conformity of our products. Long duration tests of existing or new products are continuously performed in our test fields.

Laboratory accreditation

Since June 2000, Euromold's independent ELAB laboratory obtained the BELAC accreditation no.144-TEST conform with the European standards for laboratories ISO 17025 for electrical testing of low and medium voltage cable accessories according to the international standards EN 50393, IEC 60502-4, IEC 61442 and HD 629.



While every care is taken to ensure that the information contained in this publication is correct, no legal responsibility can be accepted for any inaccuracy. Nexans Network Solutions N.V. - Div. Euromold reserves the right to alter or modify the characteristics of its products described in this catalogue as standards and technology evolve.

COMPACT SEPARABLE CONNECTORS

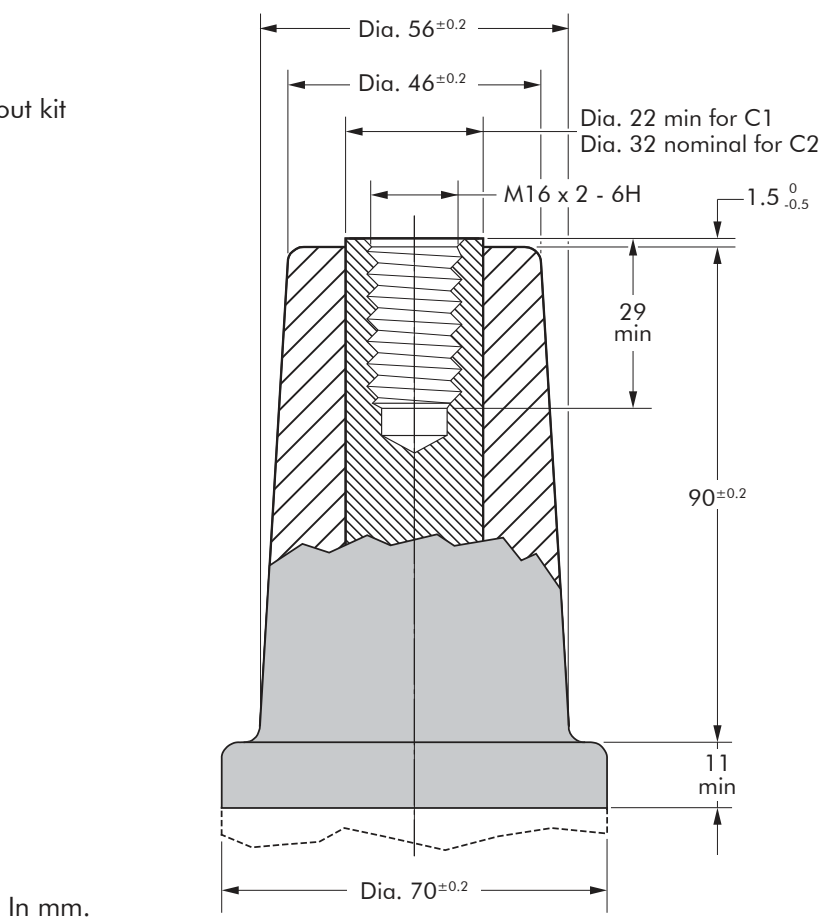
INTERFACE C

TABLE OF CONTENTS

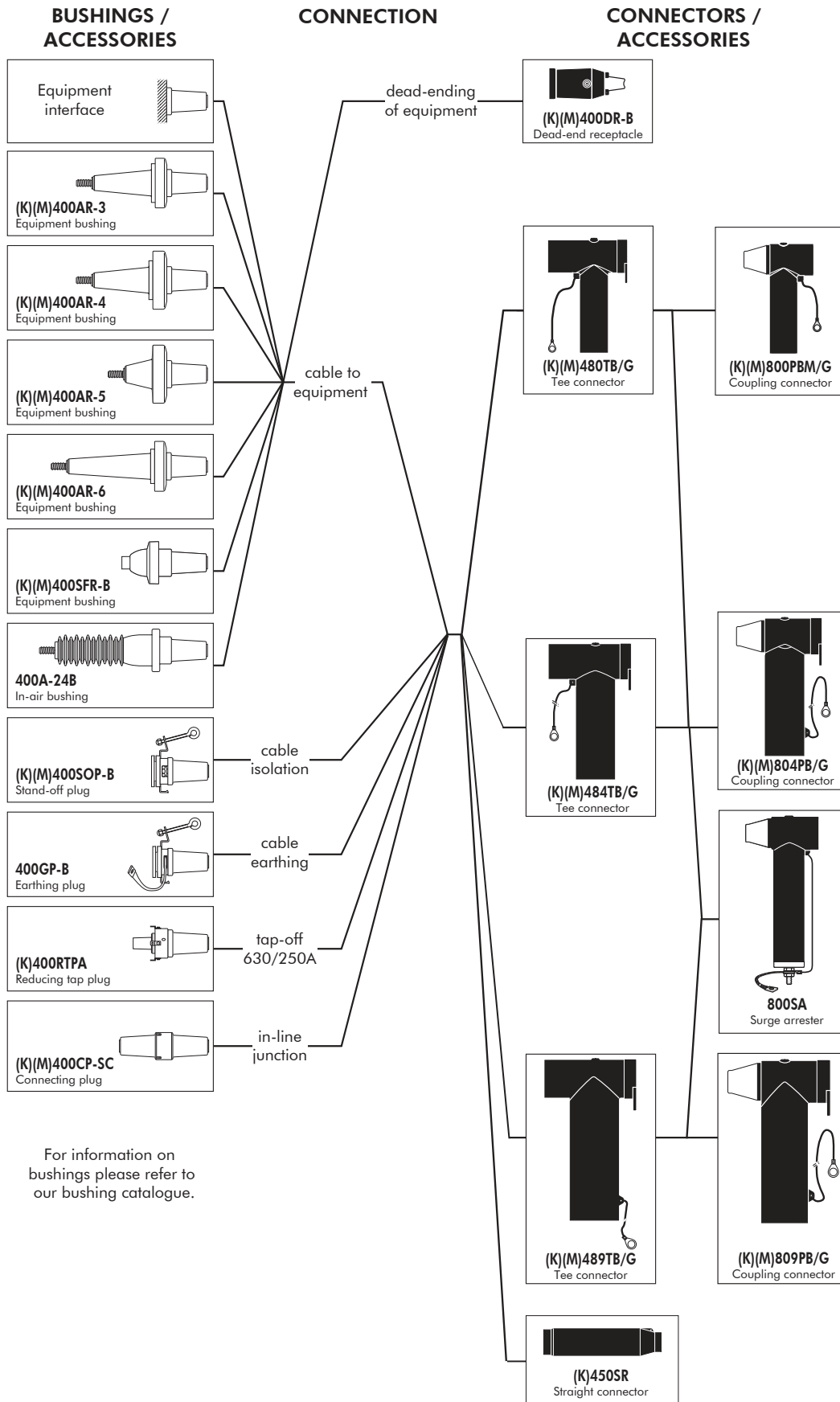
- 480TB - tee connector
- 484TB - tee connector
- 489TB - tee connector
- 800PB - coupling connector
- 804PB - coupling connector
- 809PB - coupling connector
- 450SR - straight connector
- 800SA - surge arrester
- 430TB - tee connector
- 300PBM - coupling connector
- 300SA - surge arrester
- 400TR and 800TR - test rod
- 400TK and 400SW installation tools
- Accessories
- Possible arrangements
- T-HSTBK - Three core heat-shrink breakout kit

INTERFACE C1 & C2

Dimensions according to European CENELEC EN 50180 and 50181 (in mm).



CONNECTING POSSIBILITIES



APPLICATION

Separable tee shape connector (bolted type) designed to connect polymeric insulated cable to equipment (transformers, switchgear, motors, ...). Also connects cable to cable when using the appropriate mating parts.

TECHNICAL CHARACTERISTICS

- A thick conductive EPDM jacket provides a total safe to touch screen.
- Each separable connector is tested for AC withstand and partial discharge prior to leaving the factory.

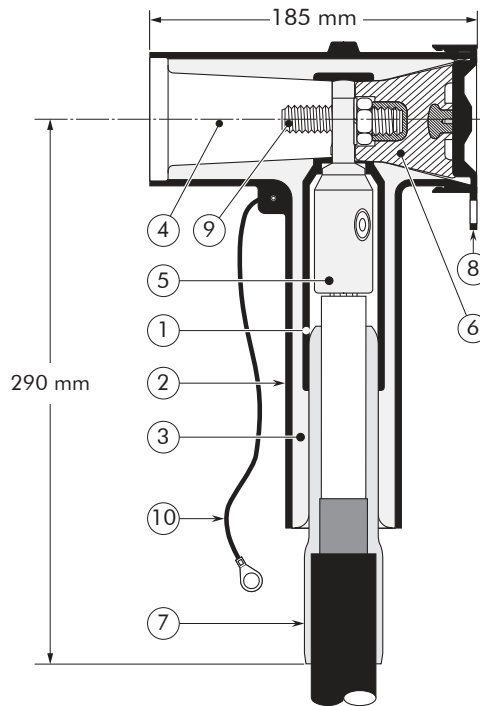


DESIGN

Separable connector comprising:

1. Conductive EPDM insert.
2. Conductive EPDM jacket.
3. Insulating EPDM layer moulded between the insert and the jacket.
4. Type C interface as described by CENELEC EN 50180 and 50181.
5. Conductor contact.
6. Basic insulating plug (with VD point).
7. Cable reducer.
8. Conductive rubber cap.
9. Clamping screw.
10. Earthing lead.

The screen break design enables cable outer sheath testing without removing or dismantling the connector.



6/10 (12) kV
6.35/11 (12) kV
8.7/15 (17.5) kV
12/20 (24) kV
12.7/22 (24) kV
18/30 (36) kV
19/33 (36) kV
20.8/36 (42) kV

Up to 42 kV
630 A - 1250 A

EUROMOLD®

SPECIFICATIONS AND STANDARDS

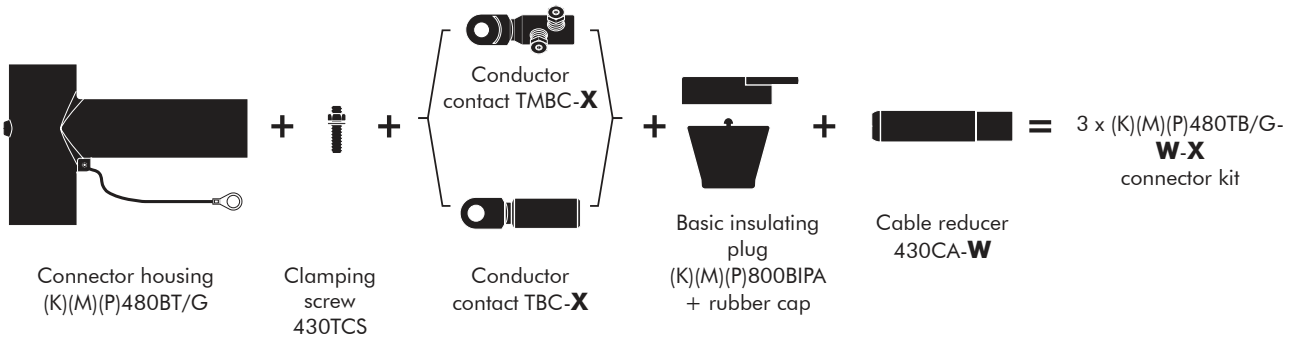
The 480TB separable connector meets the requirements of CENELEC HD 629.1.

Separable connector type	Voltage U_m (kV)	Current I_r (A)	Current I_r (A) When using a copper (CU-2) or a bolted (UN-5) conductor contact	Conductor sizes (mm ²)	
				min	max
480TB/G	12	630	1250	35	300
K480TB/G	24	630	1250	35	300
M480TB/G	36	630	1250	50	300
P480TB/G	42	630	1250	50	240

KIT CONTENTS

The complete (K)(M)(P)480TB/G tee connector kit comprises 3x the following components:

The kit also comprises silicone grease, field control mastic, installation rod, gloves, wipers, roll adhesive tape, installation instructions and crimp chart.



ORDERING INSTRUCTIONS

To order the tee connector, select the ordering part number which gives you the best centring of your core insulation diameter and substitute **X** using table X, according to your conductor size and type. Add a 'K' for use up to 24 kV, add an 'M' for use up to 36 kV, add a 'P' for use up to 42 kV.

EXAMPLE:

The cable is 24 kV, 150 mm² compact stranded copper with a diameter over core insulation of 27.5 mm. Order 3 x K480TB/G-18-95.240-UN-5 tee connector kit.

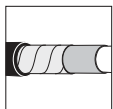
TABLE W

Ordering part number	Dia. over core insulation (mm)	
	min	max
3 x 480TB/G-11-X	12.0	17.5
3 x 480TB/G-16-X	17.0	23.5
3 x 480TB/G-18-X	19.0	28.0
3 x 480TB/G-22-X	23.5	32.0
3 x 480TB/G-27-X	28.5	37.5
3 x 480TB/G-30-X*	36.0	40.5

* will include an adapted installation instruction

TABLE X

Conductor sizes (mm ²)	Aluminium conductor		Aluminium and copper conductor	Copper conductor	
	DIN hexagonal	Deep indent	Bolted	DIN hexagonal	
35	35AL2	35AL1	16.95UN5	35CU2	
50	50AL2	50AL1		50.150UN5	50CU2
70	70AL2	70AL1	95.240UN5		70CU2
95	95AL2	95AL1			120.300UN5
120	120AL2	120AL1	120CU2		
150	150AL2	150AL1	150CU2		
185	185AL2	185AL1	185CU2		
240	240AL2	240AL1	240CU2		
300	300AL2	-	300CU2		



For use with copper tape screened cables. Order: Kit MT.



For use in potentially explosive atmospheres (for 12 kV max). Add -/ATEX to part number.



For use with other cable types. Please contact our representative.



For applications outdoors and in humid climate. Order: +MWS.



This product can also be installed using a stud, nut & washer. Please contact our representative.



This product can also be installed using a 411 CA. Please contact our representative.

APPLICATION

Separable tee shape connector (bolted type) designed to connect polymeric insulated cable to equipment (transformers, switchgear, motors, ...). Also connects cable to cable when using the appropriate mating parts.

TECHNICAL CHARACTERISTICS

- The thick conductive EPDM jacket provides a total safe to touch screen which ensures safety for personnel.
- Each separable connector is tested for AC withstand and partial discharge prior to leaving the factory.

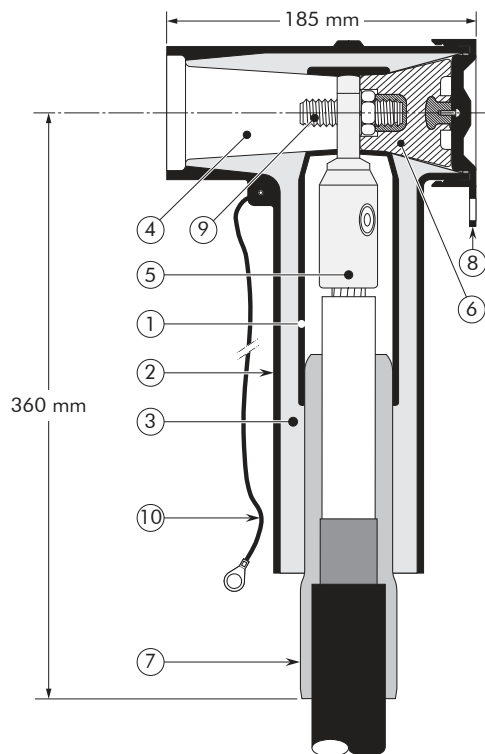


DESIGN

Separable connector comprising:

1. Conductive EPDM insert.
2. Conductive EPDM jacket.
3. Insulating EPDM layer moulded between the insert and the jacket.
4. Type C - interface as described by CENELEC EN 50180 and 50181.
5. Conductor connector.
6. Basic insulating plug (with VD point).
7. Cable reducer.
8. Conductive rubber cap.
9. Stud+nut+washer.
10. Earthing lead.

The screen break design enables cable outer sheath testing without removing or dismantling the connector.



6/10 (12) kV
 6.35/11 (12) kV
 8.7/15 (17.5) kV
 12/20 (24) kV
 12.7/22 (24) kV
 18/30 (36) kV
 19/33 (36) kV
 20.8/36 (42) kV

Up to 42 kV
 630 A -1250 A

EUROMOLD®

SPECIFICATIONS AND STANDARDS

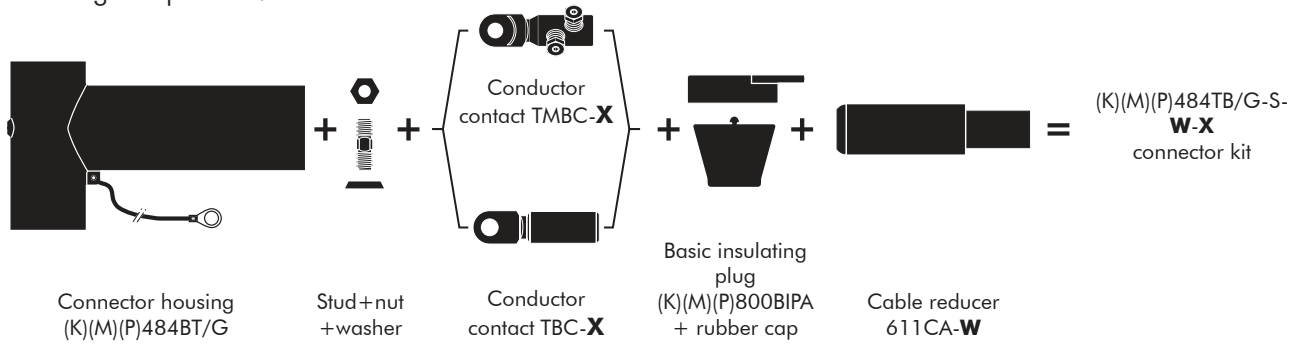
The 484TB separable connector meets the requirements of CENELEC HD 629.1.

Separable connector type	Voltage U_m (kV)	Current I_r (A)	Conductor sizes (mm ²)	
			min	max
484TB/G	12	1250	50	630
K484TB/G	24	1250	35	630
M484TB/G	36	1250	35	630
P484TB/G	42	1250	35	630

05/2017

KIT CONTENTS

The complete (K)(M)(P)484TB/G tee connector kit comprises 3x the following components:



ORDERING INSTRUCTIONS

To order the tee connector, select the ordering part number which gives you the best centring of your core insulation diameter and substitute **X** using table X, according to your conductor size and type. Add a 'K' for use up to 24 kV, add an 'M' for use up to 36 kV, add a 'P' for use up to 42 kV.

EXAMPLE:

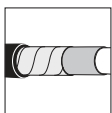
The copper wire screened cable is 36 kV, 240 mm² stranded aluminium with a diameter over core insulation of 37.0 mm. Order 3 x M484TB/G-S-32-240(K)M-BI-2 tee connector kit.

TABLE W

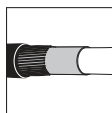
Ordering part number	Dia. over core insulation (mm)	
	min	max
3 x 484TB/G-S-15-X	16.0	22.0
3 x 484TB/G-S-19-X	20.0	26.5
3 x 484TB/G-S-22-X	23.5	31.0
3 x 484TB/G-S-27-X	28.5	37.5
3 x 484TB/G-S-32-X	34.0	42.5
3 x 484TB/G-S-37-X	39.0	48.5
3 x 484TB/G-S-43-X	45.5	56.0

TABLE X

Conductor sizes (mm ²)	Aluminium conductor		Aluminium and copper conductor	Copper conductor
	DIN hexagonal	Deep indent	Bolted	DIN hexagonal
35	35BI2	35BI1		35CU2
50	50BI2	50BI1		50CU2
70	70BI2	70BI1		70CU2
95	95BI2	95BI1		95CU2
120	120BI2	120BI1		120CU2
150	150BI2	150BI1		150CU2
185	185BI2	185BI1		185CU2
240	240BI2	240BI1		240CU2
300	300BI2	300BI1		300CU2
400	400BI2	400BI1		400CU2
500	500BI2	500BI1		500CU2
630	-	630BI1		630CU2



For use with copper tape screened cables. Order: Kit MT.



For use with copper wire screened cables. No earthing device is necessary.



For use with other cable types. Please contact our representative.



For applications outdoors and in humid climate. Order: +MWS.



Components can be ordered individually.



For use in potentially explosive atmospheres (for 12 kV max). Add -/ATEX to part number.

APPLICATION

Separable tee shape connector (bolted type) designed to connect polymeric insulated cable to equipment (transformers, switchgear, motors, ...). Also connects cable to cable when using the appropriate mating parts.

DESIGN

Separable connector comprising:

1. Conductive EPDM insert.
2. Conductive EPDM jacket.
3. Insulating EPDM layer moulded between the insert and the jacket.
4. Type C - interface as described by CENELEC EN 50180 and 50181.
5. Conductor connector.
6. Basic insulating plug (with VD point).
7. Cable reducer.
8. Conductive rubber cap.
9. Stud+nut+washer.
10. Earthing lead.

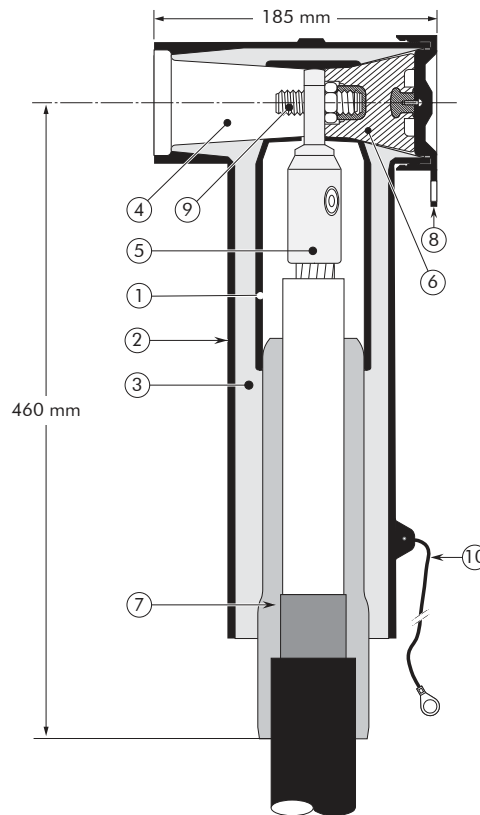
The screen break design enables cable outer sheath testing without removing or dismantling the connector.

SPECIFICATIONS AND STANDARDS

The 489TB separable connector meets the requirements of CENELEC HD 629.1.

TECHNICAL CHARACTERISTICS

- The thick conductive EPDM jacket provides a total safe to touch screen which ensures safety for personnel.
- Each separable connector is tested for AC withstand and partial discharge prior to leaving the factory.



6/10 (12) kV
 6.35/11 (12) kV
 8.7/15 (17.5) kV
 12/20 (24) kV
 12.7/22 (24) kV
 18/30 (36) kV
 19/33 (36) kV
 20.8/36 (42) kV

Up to 42 kV
630 A - 1250 A

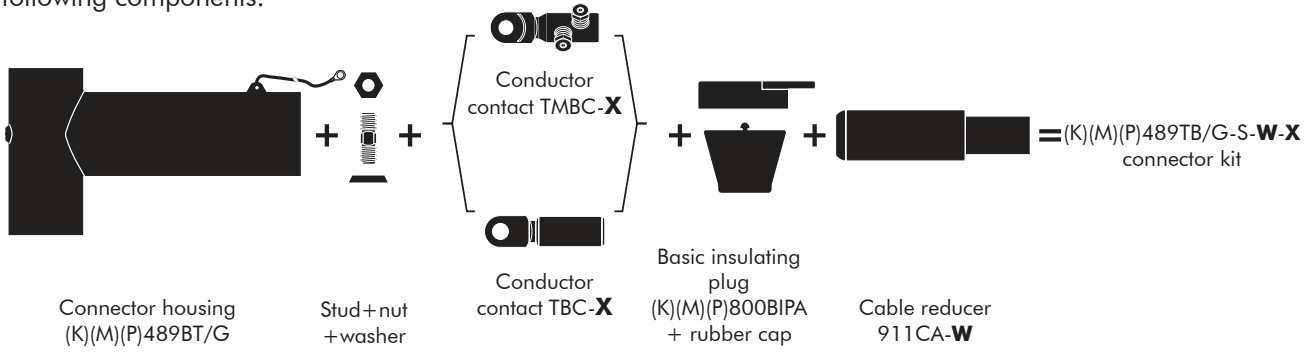
EUROMOLD®

Separable connector type	Voltage Um (kV)	Current Ir (A)	Conductor sizes (mm ²)	
			min	max
489TB/G	12	1250	630	1200
K489TB/G	24	1250	630	1200
M489TB/G	36	1250	630	1200
P489TB/G	42	1250	630	1200

05/2017

KIT CONTENTS

The complete (K)(M)(P)489TB/G tee connector kit comprises 3x the following components:



The kit also comprises silicone grease, field control mastic, gloves, roll adhesive tape, installation instructions and crimp chart.

ORDERING INSTRUCTIONS

To order the tee connector, select the ordering part number which gives you the best centring of your core insulation diameter and substitute **X** using table X, according to your conductor size and type. Add a 'K' for use up to 24 kV, add an 'M' for use up to 36 kV, add a 'P' for use up to 42 kV.

EXAMPLE:

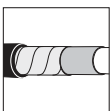
The copper wire screened cable is 36 kV, 1000 mm² stranded aluminium with a diameter over core insulation of 52 mm. Order 3 x M489TB/G-S-43-1000-BI-1 tee connector kit.

TABLE W

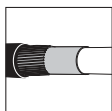
Ordering part number	Dia. over core insulation (mm)	
	min	max
3 x 489TB/G-S-37- X	40	48
3 x 489TB/G-S-43- X	46	54
3 x 489TB/G-S-50- X	53	59
3 x 489TB/G-S-53- X	56	62
3 x 489TB/G-S-56- X	59	65
3 x 489TB/G-S-59- X	62	68

TABLE X

Conductor sizes (mm ²)	Aluminium conductor	Aluminium and copper conductor	Copper conductor
	Deep indent	Bolted	DIN hexagonal
630	630BI1	400.630UN5	630CU2
800	800BI1	800.1000UN5	800CU2
1000	1000BI1		1000CU2
1200	1200BI1	1200UN5	-



For use with copper tape screened cables. Order: Kit MT.



For use with copper wire screened cables. No earthing device is necessary.



For use with other cable types. Please contact our representative.



For applications outdoors and in humid climate. Order: +MWS.



Components can be ordered individually.



For use in potentially explosive atmospheres (for 12 kV max). Add -/ATEX to part number.

APPLICATION

Separable coupling connector for dual cable arrangement. It has been designed to be used with 480TB, 484TB and 489TB separable tee connectors. Can also be installed on any 8-series coupling connector for a multiple cable arrangement.

TECHNICAL CHARACTERISTICS

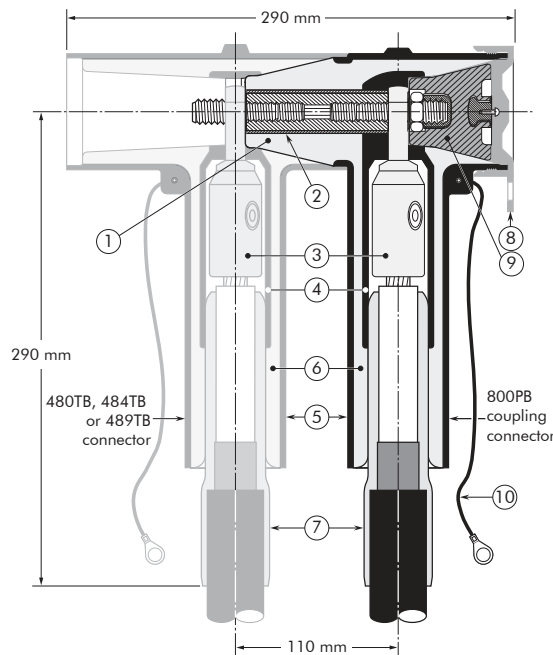
- A thick conductive EPDM jacket provides a total safe to touch screen.
- Each separable connector is tested for AC withstand and partial discharge prior to leaving the factory.



DESIGN

1. Interface designed to fit 480TB, 484TB and 489TB connectors.
2. Contact rod.
3. Conductor contact.
4. Conductive EPDM insert.
5. Conductive EPDM jacket.
6. Insulating EPDM layer moulded between the insert and the jacket.
7. Cable reducer.
8. Conductive EPDM cap.
9. Basic insulating plug (with VD point).
10. Earthing lead.

The screen break design enables cable outer sheath testing without removing or dismantling the connector.



6/10 (12) kV
6.35/11 (12) kV
8.7/15 (17.5) kV
12/20 (24) kV
12.7/22 (24) kV
18/30 (36) kV
19/33 (36) kV
20.8/36 (42) kV

Up to 42 kV
630A - 1250 A

EUROMOLD®

SPECIFICATIONS AND STANDARDS

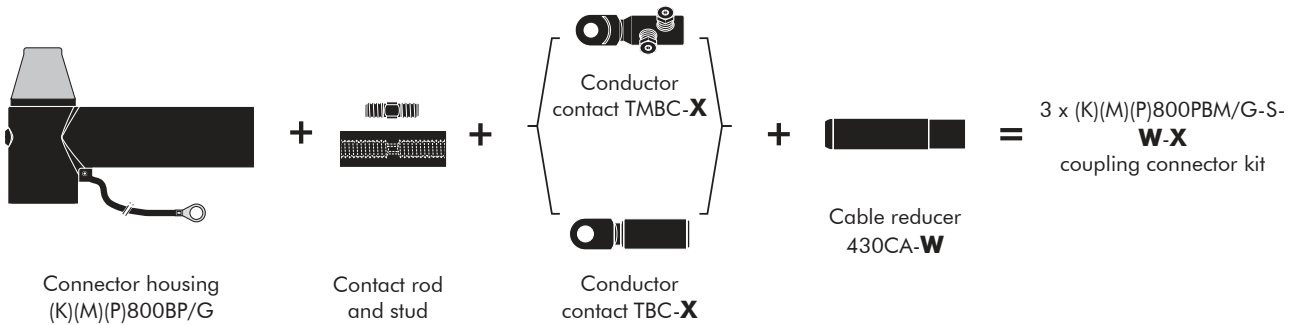
The 800PB coupling connector meets the requirements of CENELEC HD 629.1.

Separable connector type	Voltage U_m (kV)	Current I_r (A)	Current I_r (A) When using a copper (CU-2) or a bolted (UN-5) conductor contact	Conductor sizes (mm ²)	
				min	max
800PB/G	12	630	1250	35	300
K800PB/G	24	630	1250	35	300
M800PB/G	36	630	1250	50	300
P800PB/G	42	630	1250	50	240

KIT CONTENTS

The complete (K)(M)(P) 800PB/G coupling connector kit comprises 3x the following components:

The kit also comprises silicone grease, field control mastic, installation rod, gloves, wipers, roll adhesive tape, installation instructions and crimp chart.



ORDERING INSTRUCTIONS

To order the coupling connector, select the ordering part number which gives you the best centring of your core insulation diameter and substitute **X** using table X, according to your conductor size and type.

Add a 'K' for use up to 24 kV, add an 'M' for use up to 36 kV, add a 'P' for use up to 42 kV.

EXAMPLE:

The cable is 24 kV, 150 mm² compact stranded copper with a diameter over core insulation of 27.5 mm.

Order 3 x K800PB/G-S-18-95.240UN5 coupling connector kit.

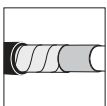
TABLE W

Ordering part number	Dia. over core insulation (mm)	
	min	max
3 x 800PB/G-S-11-X	12.0	17.5
3 x 800PB/G-S-16-X	17.0	23.5
3 x 800PB/G-S-18-X	19.0	28.0
3 x 800PB/G-S-22-X	23.5	32.0
3 x 800PB/G-S-27-X	28.5	37.5
3 x 800PB/G-S-30-X*	36.0	40.5

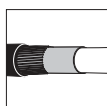
* will include an adapted installation instruction

TABLE X

Conductor sizes (mm ²)	Aluminium conductor		Aluminium and copper conductor	Copper conductor
	DIN hexagonal	Deep indent	Bolted	DIN hexagonal
35	35AL2	35AL1	16.95UN5 50.150UN5 95.240UN5 120.300UN5	35CU2
50	50AL2	50AL1		50CU2
70	70AL2	70AL1		70CU2
95	95AL2	95AL1		95CU2
120	120AL2	120AL1		120CU2
150	150AL2	150AL1		150CU2
185	185AL2	185AL1		185CU2
240	240AL2	240AL1		240CU2
300	300AL2	-		300CU2



For use with copper tape screened cables. Order: Kit MT.



For use with copper wire screened cables. No earthing device is necessary.



For use with other cable types. Please contact our representative.



For use in potentially explosive atmospheres (for 12 kV max). Add -ATEX to part number.



For outdoor applications. Order: +MWS.



This product can also be installed using a 411 CA. Please contact our representative.

APPLICATION

Separable coupling connector for dual cable arrangement. It has been designed to be used with 480TB, 484TB and 489TB separable tee connectors. Can also be installed on any 8-series coupling connector for a multiple cable arrangement.

DESIGN

1. Interface designed to fit 480TB, 484TB and 489TB connector.
2. Bus for 804PB.
3. Conductor connector (hexagonal crimping, deep indent crimping or bolted).
4. Conductive EPDM insert.
5. Conductive EPDM jacket.
6. Insulating EPDM layer moulded between the insert and the jacket.
7. Cable reducer.
8. Conductive EPDM cap.
9. Basic insulating plug (with VD point).
10. Earth lead.

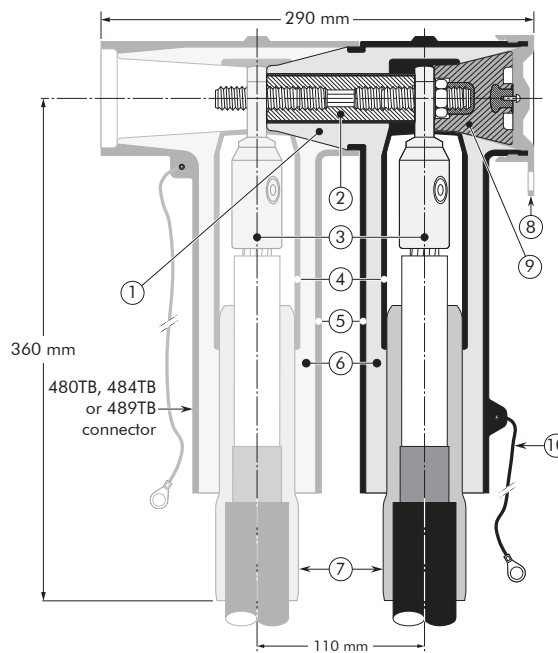
The screen break design enables cable outer sheath testing without removing or dismantling the connector.

SPECIFICATIONS AND STANDARDS

The 804PB coupling connector meets the requirements of CENELEC HD 629.1.

TECHNICAL CHARACTERISTICS

- A thick conductive EPDM jacket provides a total safe to touch screen.
- Each separable connector is tested for AC withstand and partial discharge prior to leaving the factory.



6/10 (12) kV
6.35/11 (12) kV
8.7/15 (17.5) kV
12/20 (24) kV
12.7/22 (24) kV
18/30 (36) kV
19/33 (36) kV
20.8/36 (42) kV

Up to 42 kV
1250 A

EUROMOLD®

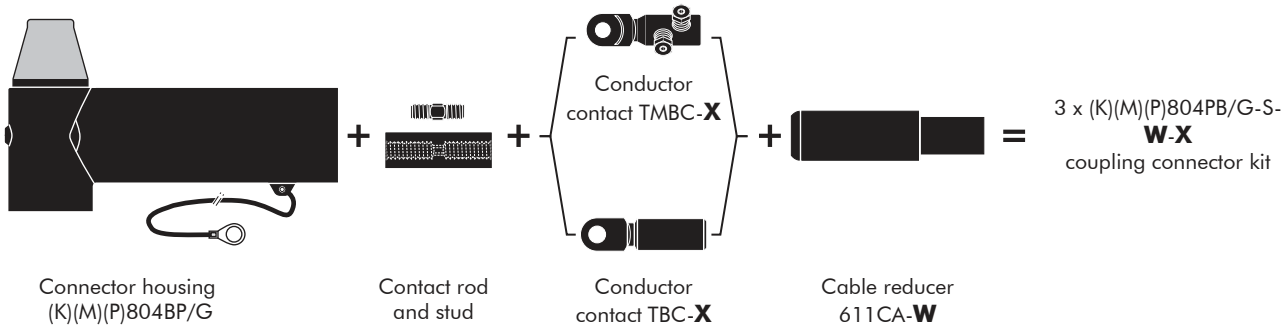
Separable connector type	Voltage U_m (kV)	Current I_r (A)	Conductor sizes (mm ²)	
			min	max
804PB/G	12	1250	50	630
K804PB/G	24	1250	35	630
M804PB/G	36	1250	35	630
P804PB/G	42	1250	35	630

05/2017

KIT CONTENTS

The complete (K)(M)(P)804PB/G coupling connector kit comprises 3 x the following components:

The kit also comprises silicone grease, field control mastic, gloves, roll adhesive tape, installation instructions and crimp chart.



ORDERING INSTRUCTIONS

To order the coupling connector, select the ordering part number which gives you the best centring of your core insulation diameter and substitute **X** using table X, according to your conductor size and type.

Add a 'K' for use up to 24 kV, add an 'M' for use up to 36 kV, add a 'P' for use up to 42 kV.

EXAMPLE:

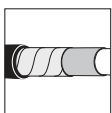
The copper wire screened cable is 36 kV, 240 mm² stranded aluminium with a diameter over core insulation of 37.0 mm. Order 3 x M804PB/G-S-32-240BI2 coupling connector kit.

TABLE W

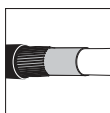
Ordering part number	Dia. over core insulation (mm)	
	min	max
3 x 804PB/G-S-15-X	16.0	22.0
3 x 804PB/G-S-19-X	20.0	26.5
3 x 804PB/G-S-22-X	23.5	31.0
3 x 804PB/G-S-27-X	28.5	37.5
3 x 804PB/G-S-32-X	34.0	42.5
3 x 804PB/G-S-37-X	39.0	48.5
3 x 804PB/G-S-43-X	45.5	56.0

TABLE X

Conductor sizes (mm ²)	Aluminium conductor		Aluminium and copper conductor	Copper conductor
	DIN hexagonal	Deep indent	Bolted	DIN hexagonal
35	35BI2	35BI1		35CU2
50	50BI2	50BI1		50CU2
70	70BI2	70BI1		70CU2
95	95BI2	95BI1		95CU2
120	120BI2	120BI1		120CU2
150	150BI2	150BI1		150CU2
185	185BI2	185BI1		185CU2
240	240BI2	240BI1		240CU2
300	300BI2	300BI1		300CU2
400	400BI2	400BI1		400CU2
500	500BI2	500BI1		500CU2
630	-	630BI1		630CU2



For use with copper tape screened cables. Order: Kit MT.



For use with copper wire screened cables. No earthing device is necessary.



For use with other cable types. Please contact our representative.



For applications outdoors and in humid climate. Order: +MWS.



Components can be ordered individually.



For use in potentially explosive atmospheres (for 12 kV max). Add -ATEX to part number.

APPLICATION

Separable coupling connector (bolted type) for dual cable arrangement. It has been designed to be used with 480TB, 484TB and 489TB separable tee connectors. Can also be installed on any 8-series coupling connector for a multiple cable arrangement.

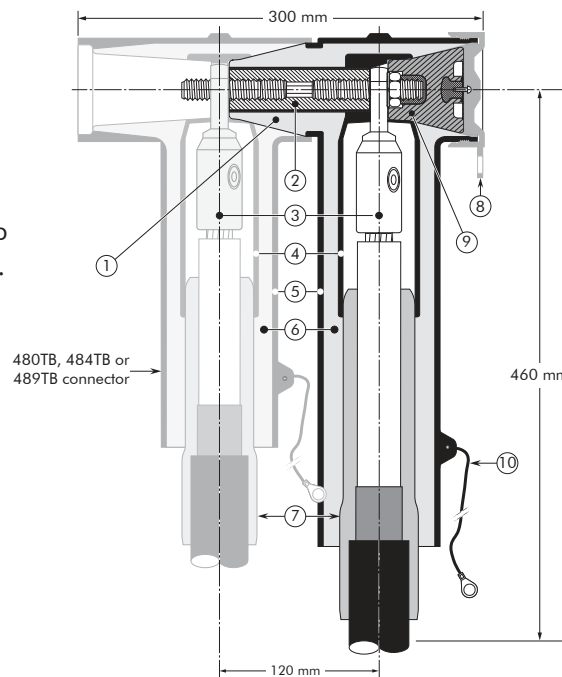
TECHNICAL CHARACTERISTICS

- A thick conductive EPDM jacket provides a total safe to touch screen.
- Each separable connector is tested for AC withstand and partial discharge prior to leaving the factory.



DESIGN

1. Interface designed to fit 480TB, 484TB and 489TB connector.
2. Bus for 809PB.
3. Conductor connector (hexagonal crimping, deep indent crimping or bolted).
4. Conductive EPDM insert.
5. Conductive EPDM jacket.
6. Insulating EPDM layer moulded between the insert and the jacket.
7. Cable reducer.
8. Conductive EPDM cap.
9. Basic insulating plug (with VD point).
10. Earth lead.



6/10 (12) kV
6.35/11 (12) kV
8.7/15 (17.5) kV
12/20 (24) kV
12.7/22 (24) kV
18/30 (36) kV
19/33 (36) kV
20.8/36 (42) kV

Up to 42 kV
1250 A

EUROMOLD®

The screen break design enables cable outer sheath testing without removing or dismantling the connector.

SPECIFICATIONS AND STANDARDS

The 809PB coupling connector meets the requirements of CENELEC HD 629.1.

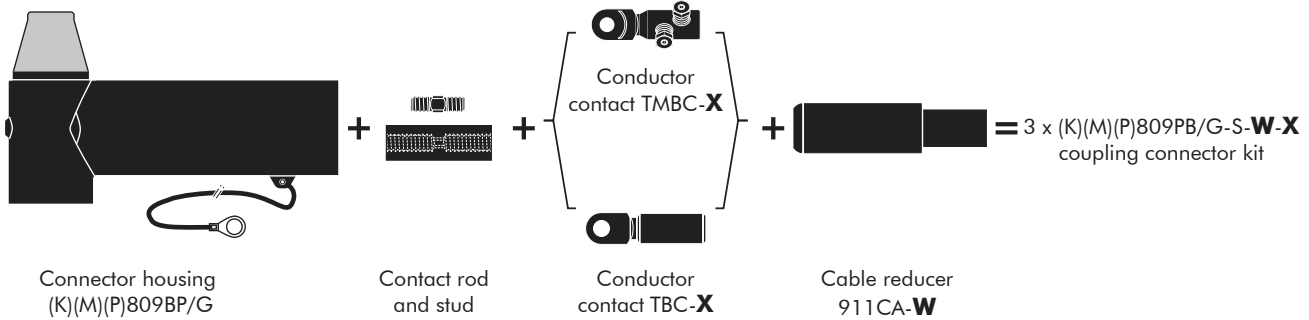
Separable connector type	Voltage U_m (kV)	Current I_r (A)	Conductor sizes (mm ²)	
			min	max
809PB/G	12	1250	630	1200
K809PB/G	24	1250	630	1200
M809PB/G	36	1250	630	1200
P809PB/G	42	1250	630	1200

05/2017

KIT CONTENTS

The complete (K)(M)(P)809PB/G coupling connector kit comprises 3x the following components:

The kit also comprises silicone grease, field control mastic, gloves, roll adhesive tape, installation instructions and crimp chart.



ORDERING INSTRUCTIONS

To order the coupling connector, select the ordering part number which gives you the best centring of your core insulation diameter and substitute **X** using table X, according to your conductor size and type.

Add a 'K' for use up to 24 kV, add an 'M' for use up to 36 kV, add a 'P' for use up to 42 kV.

EXAMPLE:

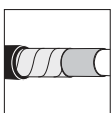
The copper wire screened cable is 36 kV, 1000 mm² stranded aluminium with a diameter over core insulation of 52 mm. Order 3 x M809PB/G-S-43-1000B11 coupling connector kit.

TABLE W

Ordering part number	Dia. over core insulation (mm)	
	min	max
3 x 809PB/G-S-37-X	40	48
3 x 809PB/G-S-43-X	46	54
3 x 809PB/G-S-50-X	53	59
3 x 809PB/G-S-53-X	56	62
3 x 809PB/G-S-56-X	59	65
3 x 809PB/G-S-59-X	62	68

TABLE X

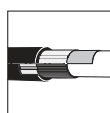
Conductor sizes (mm ²)	Aluminium conductor	Aluminium and copper conductor	Copper conductor
	Deep indent	Bolted	DIN hexagonal
630	630B11	400.630UN5	630CU2
800	800B11	800.1000UN5	800CU2
1000	1000B11		1000CU2
1200	1200B11	1200UN5	-



For use with copper tape screened cables. Order: Kit MT.



For use in potentially explosive atmospheres (for 12 kV max). Add -/ATEX to part number.



For use with Alupe or C 33-226 cables. Please contact our representative.



For use with other cable types. Please contact our representative.



For applications outdoors and in humid climate. Order: +MWS.



Components can be ordered individually.

APPLICATION

Separable straight connector designed to connect polymeric insulated cable to equipment (transformers, switch gear, motors...).

TECHNICAL CHARACTERISTICS

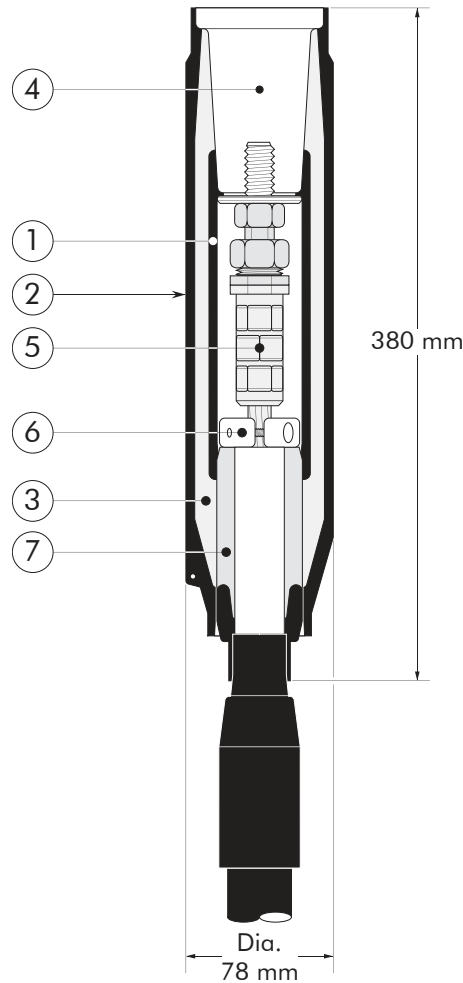
- The thick conductive EPDM jacket provides a total safe to touch screen which ensures safety for personnel.
- Each separable connector is tested for AC withstand and partial discharge prior to leaving the factory.



DESIGN

Separable connector comprising:

1. Conductive EPDM insert.
2. Conductive EPDM jacket.
3. Insulating EPDM layer moulded between the insert and the jacket.
4. Type C - 630 A interface as described by CENELEC EN 50180 and 50181.
5. Conductor connector assembly.
6. Retaining ring.
7. Cable reducer.



6/10 (12) kV
 6.35/11 (12) kV
 8.7/15 (17.5) kV
 12/20 (24) kV
 12.7/22 (24) kV

Up to 24 kV
630 A

EUROMOLD®

SPECIFICATIONS AND STANDARDS

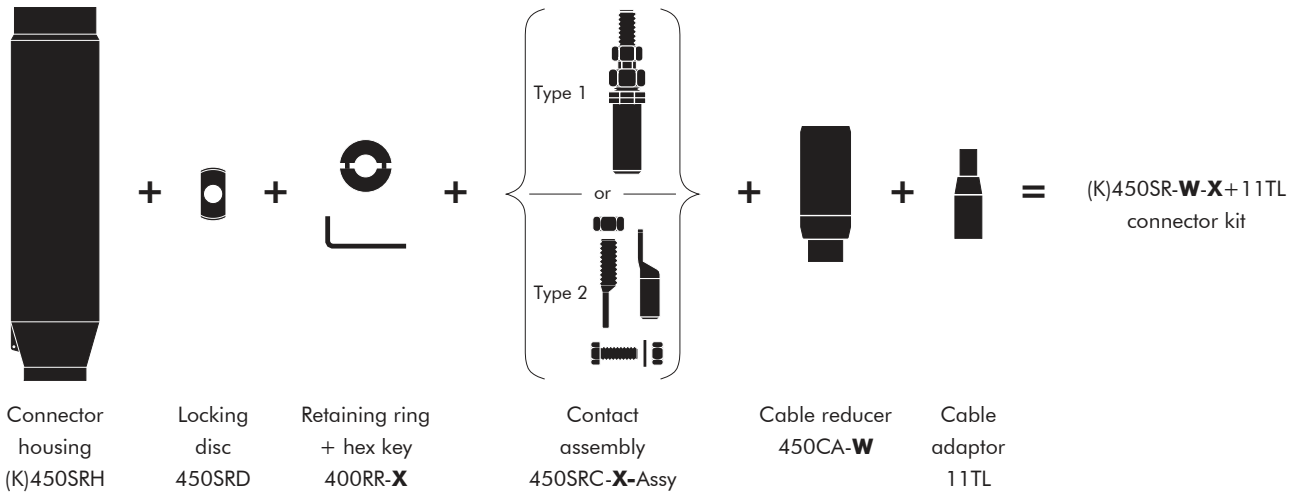
The separable connector 450SR meets the requirements of CENELEC HD 629.1 S1.

Separable connector type	Voltage U_m (kV)	Current I_r (A)	Conductor size (mm ²)	
			min.	max.
450SR	12	630	50	300
K450SR	24	630	25	300

KIT CONTENTS

The complete (K)450SR straight connector kit comprises the following components:

The kit also comprises lubricant, wipers, installation instructions and crimp chart.



ORDERING INSTRUCTIONS

To order the straight connector, select the ordering part number which gives you the best centring of your core insulation diameter and substitute **X** using table X, according to your conductor size and type.

Add a 'K' for use up to 24 kV.

EXAMPLE:

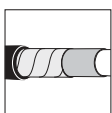
The copper wire screened cables are 24 kV, 240 mm² stranded aluminium with a diameter over core insulation of 32.2 mm. Order 3 x K450SR-14-240KM-12-2+11TL straight connector kit.

TABLE W

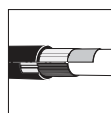
Ordering part number	Dia. over core insulation (mm)	
	min.	max.
450SR-06-X+11TL	16.5	21.5
450SR-08-X+11TL	19.9	24.4
450SR-10-X+11TL	23.2	28.0
450SR-12-X+11TL	26.1	31.0
450SR-14-X+11TL	30.0	36.1

TABLE X

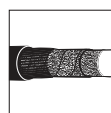
Conductor size (mm ²)	Conductor contact type (DIN standards only)			
	Type 1		Type 2	
	Aluminium	Copper	Aluminium	Copper
25	–	25KM-11-2	–	–
35	35KM-12-2	35KM-11-2	35KM-12-2-L	35KM-11-2-L
50	50KM-12-2	50KM-11-2	50KM-12-2-L	50KM-11-2-L
70	70KM-12-2	70KM-11-2	70KM-12-2-L	70KM-11-2-L
95	95KM-12-2	95KM-11-2	95KM-12-2-L	95KM-11-2-L
120	120KM-12-2	120KM-11-2	120KM-12-2-L	120KM-11-2-L
150	150KM-12-2	150KM-11-2	–	–
185	185KM-12-2	185KM-11-2	–	–
240	240KM-12-2	240KM-11-2	–	–
300	300KM-12-2	300KM-11-2	–	–



For use with copper tape screened cables. Order: Kit MT.



For use with Alupe or C 33-226 cables. Please contact our representative.



For use with fabric tape (graphite) screened cables. Order additional semi-conductive tape (type TSC).



For use with other cable types. Please contact our representative.



For outdoor applications. Order: +MWS.



Components can be ordered individually.

APPLICATION

Surge arrester designed to protect 12, 24, 36 and 42 kV class components, including transformers, equipment, cable and accessories from high voltage surges resulting from lightning or switching. It has been designed to be used with the 480TB, 484TB and 489TB separable tee connectors.

DESIGN

Surge arrester comprising:

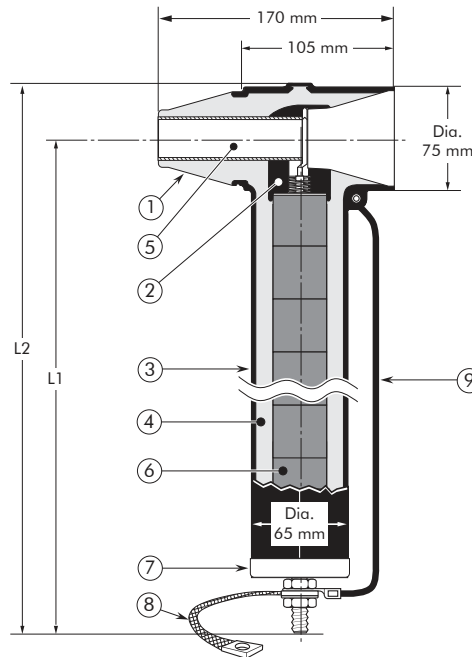
1. Interface designed to fit the 484TB and 489TB tee connector.
2. Conductive EPDM insert.
3. Conductive EPDM jacket.
4. Insulating EPDM layer moulded between the insert and the jacket.
5. Receptacle for contact rod.
6. Metal oxide valve elements.
7. Steel cap.
8. Earth connection.
9. Earth lead.

SPECIFICATIONS AND STANDARDS

The 800SA surge arresters meet the test requirements of IEC 60099-4.

TECHNICAL CHARACTERISTICS

- This surge arrester is a metal oxide varistor surge arrester in an elbow configuration.
- Each arrester is tested for AC withstand, partial discharge and critical voltage prior to leaving the factory.



6/10 (12) kV
6.35/11 (12) kV
8.7/15 (17.5) kV
12/20 (24) kV
12.7/22 (24) kV
18/30 (36) kV
19/33 (36) kV
20.8/36 (42) kV

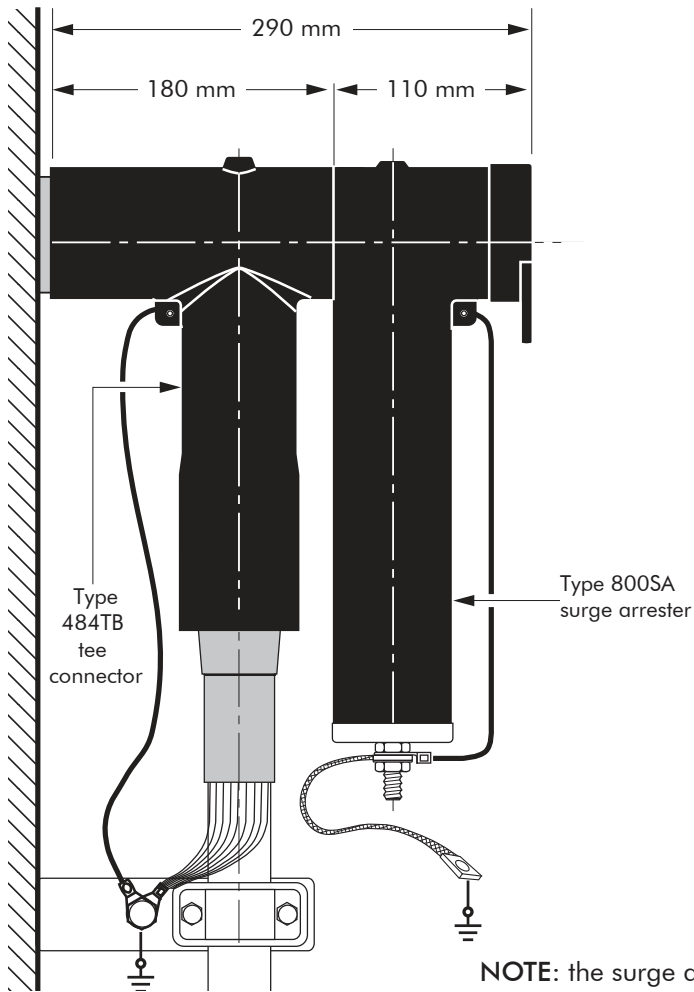
Up to 42 kV

EUROMOLD®

Surge arrester type	Nominal discharge current In (kA)	Rated voltage Ur (kV)	Max. continuous operating voltage Uc (kV)	Dimensions (mm)	
				L1	L2
800SA-10-6N	10	6	4.8	270	310
800SA-10-9N	10	9	7.2	270	310
800SA-10-12N	10	12	9.6	270	310
800SA-10-15N	10	15	12.0	270	310
800SA-10-18N	10	18	14.4	270	310
800SA-10-22N	10	22	17.6	270	310
800SA-10-24N	10	24	19.2	370	410
800SA-10-30N	10	30	24.0	370	410
800SA-10-33N	10	33	26.4	370	410
800SA-10-36N	10	36	28.8	370	410
800SA-10-45N	10	45	36.0	470	510
800SA-10-51N	10	51	40.8	470	510

05/2017

TYPICAL APPLICATION AND DIMENSIONS



NOTE: the surge arrester body needs to be positioned vertically after installation.

ORDERING INSTRUCTIONS

To order the surge arrester, specify the surge arrester type, as described on previous page.

EXAMPLE:

For a maximum continuous operating voltage (r.m.s.) of 24 kV and a nominal discharge current of 10 kA.

Order a 800SA-10-30N surge arrester.



For use in potentially explosive atmospheres (for 12 kV max).
Add -/ATEX to part number.

TECHNICAL DATA

Surge arrester type	Steep current residual voltage @ 10 kA [1/20 μs] (kV)	Lightning current residual voltage [8/20 μs] (kV)			Switching impulse residual voltage [36/90 μs] (kV)		High current impulse withstand (kA)
		@ 5 kA	@ 10 kA	@ 20 kA	@ 125 A	@ 500 A	
800SA-10-6N	20.4	16.8	18.3	20.5	12.9	13.7	100
800SA-10-9N	28.5	23.5	25.6	28.7	18.0	19.2	100
800SA-10-12N	38.0	31.4	34.2	38.3	24.1	25.7	100
800SA-10-15N	48.1	39.7	43.2	48.4	30.5	32.5	100
800SA-10-18N	58.1	48.0	52.2	58.5	36.8	39.2	100
800SA-10-22N	70.1	57.9	63.0	70.6	44.4	47.3	100
800SA-10-24N	77.0	63.6	69.2	77.6	48.8	52.0	100
800SA-10-30N	97.0	80.1	87.2	97.7	61.5	65.5	100
800SA-10-33N	103.4	85.4	93.0	104.2	65.6	69.9	100
800SA-10-36N	115.9	95.7	104.2	116.8	73.5	78.3	100
800SA-10-45N	144.1	119.0	129.5	145.1	91.3	97.3	100
800SA-10-51N	166.0	137.1	149.2	167.2	105.2	112.1	100

APPLICATION

Separable tee shape connector (bolted type) designed to connect polymeric insulated cable to equipment (transformers, switchgear, motors, ...). Also connects cable to cable when using the appropriate mating parts.

DESIGN

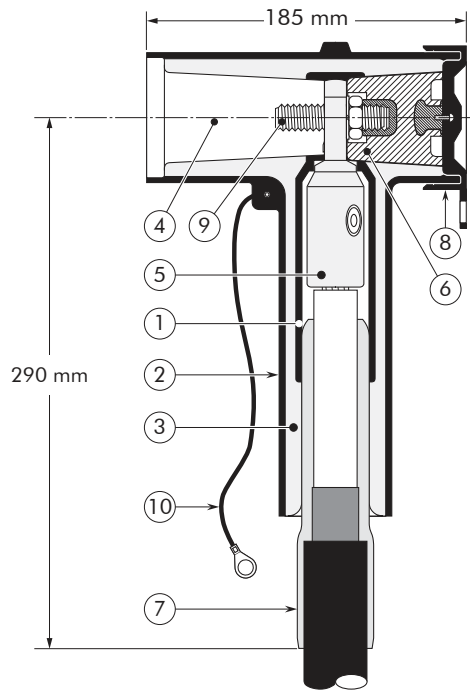
Separable connector comprising:

1. Conductive EPDM insert.
2. Conductive EPDM jacket.
3. Insulating EPDM layer moulded between the insert and the jacket.
4. Type C interface as described by CENELEC EN 50180 and 50181.
5. Conductor connector.
6. Basic insulating plug (with VD point).
7. Cable reducer.
8. Conductive rubber cap.
9. Clamping screw.
10. Earthing lead.

The screen break design enables cable outer sheath testing without removing or dismantling the connector.

TECHNICAL CHARACTERISTICS

- A thick conductive EPDM jacket provides a total safe to touch screen.
- Each separable connector is tested for AC withstand and partial discharge prior to leaving the factory.



6/10 (12) kV
 6.35/11 (12) kV
 8.7/15 (17.5) kV
 12/20 (24) kV
 12.7/22 (24) kV
 18/30 (36) kV
 19/33 (36) kV

Up to 36 kV
 630 A - 1250 A

EUROMOLD®

SPECIFICATIONS AND STANDARDS

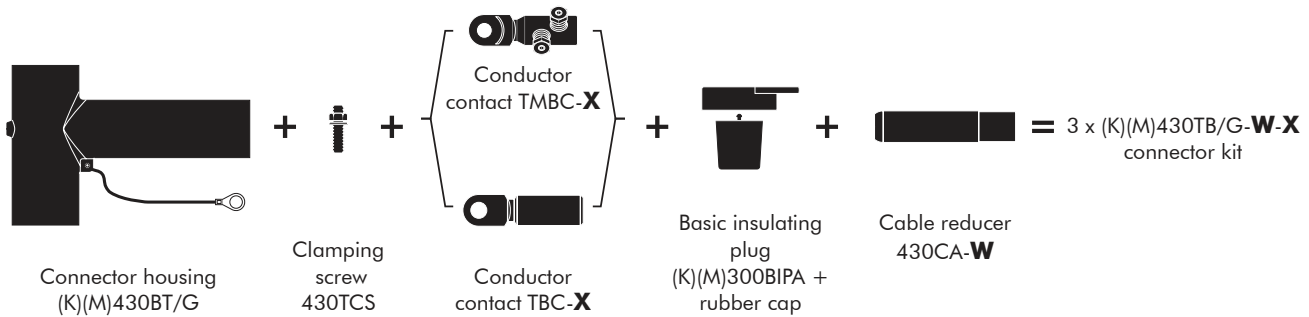
The 430TB separable connector meets the requirements of CENELEC HD 629.1.

Separable connector type	Voltage U_m (kV)	Current I_r (A)	Current I_r (A) When using a copper (-11-2) or a bolted (14-5) conductor contact	Conductor sizes (mm ²)	
				min	max
430TB/G	12	630	1250	35	300
K430TB/G	24	630	1250	35	300
M430TB/G	36	630	1250	50	300

KIT CONTENTS

The complete (K)(M)430TB/G tee connector kit comprises 3x the following components:

The kit also comprises silicone grease, field control mastic, installation rod, installation instructions and crimp chart.



ORDERING INSTRUCTIONS

To order the tee connector, select the ordering part number which gives you the best centring of your core insulation diameter and substitute **X** using table X, according to your conductor size and type. Add a 'K' for use up to 24 kV, add an 'M' for use up to 36 kV.

EXAMPLE:

The cable is 24 kV, 150 mm² compact stranded copper with a diameter over core insulation of 27.5 mm.

Order 3 x K430TB/G-18-95.240-14-5 tee connector kit.

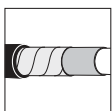
TABLE W

Ordering part number	Dia. over core insulation (mm)	
	min	max
3 x 430TB/G-11-X	12.0	17.5
3 x 430TB/G-16-X	17.0	23.5
3 x 430TB/G-18-X	19.0	28.0
3 x 430TB/G-22-X	23.5	32.0
3 x 430TB/G-27-X	28.5	37.5
3 x 430TB/G-30-X*	36.0	40.5

* will include an adapted installation instruction

TABLE X

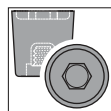
Conductor sizes (mm ²)	Aluminium conductor		Aluminium and copper conductor	Copper conductor
	DIN hexagonal	Deep indent	Bolted	DIN hexagonal
35	35(K)M-10-2	35KM-10-1	16.95-14-5 50.150-14-5 95.240-14-5 120.300-14-5	35(K)M-11-2
50	50(K)M-10-2	50(K)M-10-1		50(K)M-11-2
70	70(K)M-10-2	70(K)M-10-1		70(K)M-11-2
95	95(K)M-10-2	95(K)M-10-1		95(K)M-11-2
120	120(K)M-10-2	120(K)M-10-1		120(K)M-11-2
150	150(K)M-10-2	150(K)M-10-1		150(K)M-11-2
185	185(K)M-10-2	185(K)M-10-1		185(K)M-11-2
240	240(K)M-10-2	240(K)M-10-1		240(K)M-11-2
300	300(K)M-10-2	-		300(K)M-11-2



For use with copper tape screened cables. Order: Kit MT.



For use in potentially explosive atmospheres (for 12 kV max). Add -/ATEX to part number.



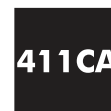
Up to 24 kV this product can also be installed using a 300BIPR (without VD point) Order: BIPR.



For use with other cable types. Please contact our representative.



For applications outdoors and in humid climate. Order: +MWS.



This product can also be installed using a 411 CA. Please contact our representative.

APPLICATION

Separable coupling connector (bolted type) for dual cable arrangement. It has been designed to be used with 430TB separable tee connector.

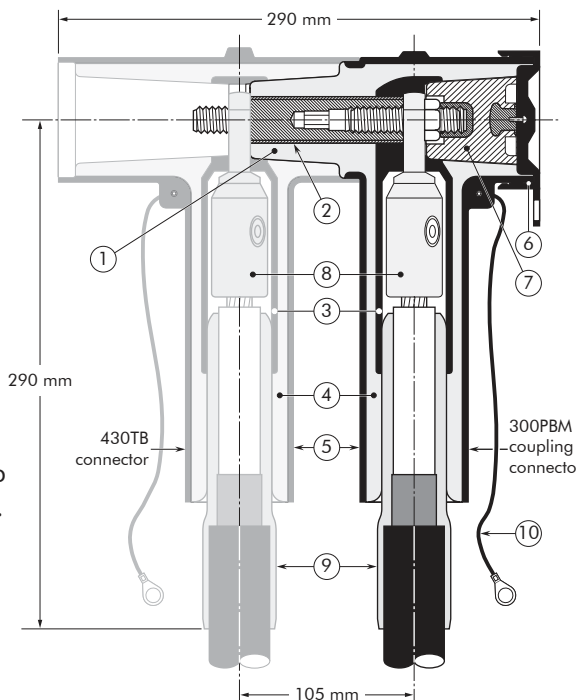
TECHNICAL CHARACTERISTICS

- A thick conductive EPDM jacket provides a total safe to touch screen.
- Each separable connector is tested for AC withstand and partial discharge prior to leaving the factory.



DESIGN

1. Interface designed to fit 430TB connector.
2. Bus for 300PBM.
3. Conductive EPDM insert.
4. Insulating EPDM layer moulded between the insert and the jacket.
5. Conductive EPDM jacket.
6. Conductive EPDM cap.
7. Basic insulating plug (with VD point).
8. Conductor connector (hexagonal crimping, deep indent crimping or bolted).
9. Cable reducer.
10. Earthing lead.



6/10 (12) kV
 6.35/11 (12) kV
 8.7/15 (17.5) kV
 12/20 (24) kV
 12.7/22 (24) kV
 18/30 (36) kV
 19/33 (36) kV

Up to 36 kV
800 A

EUROMOLD®

The screen break design enables cable outer sheath testing without removing or dismantling the connector.

SPECIFICATIONS AND STANDARDS

The 300PBM coupling connector meets the requirements of CENELEC HD 629.1.

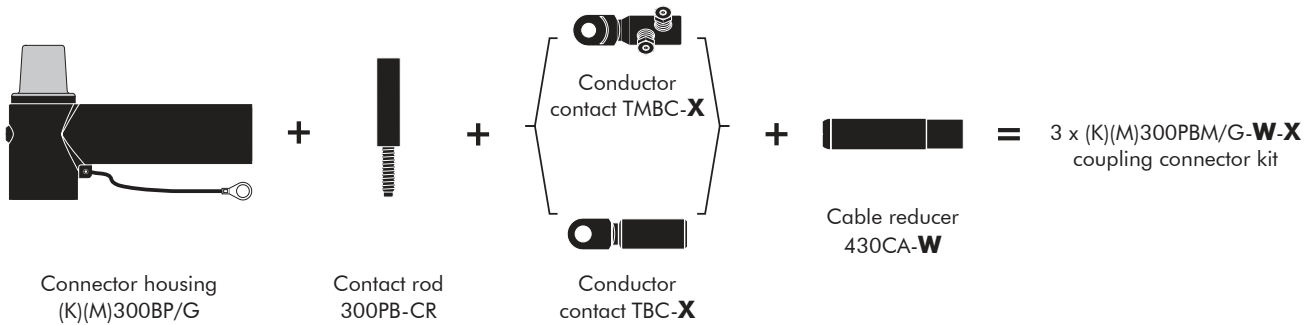
Separable connector type	Voltage U_m (kV)	Current I_r (A)	Conductor sizes (mm ²)	
			min	max
300PBM/G	12	800	35	300
K300PBM/G	24	800	35	300
M300PBM/G	36	800	50	240

05/2017

KIT CONTENTS

The complete (K)(M)300PBM/G coupling connector kit comprises 3x the following components:

The kit also comprises silicone grease, field control mastic, installation rod, installation instructions and crimp chart.



ORDERING INSTRUCTIONS

To order the coupling connector, select the ordering part number which gives you the best centring of your core insulation diameter and substitute **X** using table X, according to your conductor size and type. Add a 'K' for use up to 24 kV, add an 'M' for use up to 36 kV.

EXAMPLE:

The cable is 24 kV, 150 mm² compact stranded copper with a diameter over core insulation of 27.5 mm.

Order 3 x K300PBM/G-18-95.240-14-5 coupling connector kit.

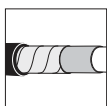
TABLE W

Ordering part number	Dia. over core insulation (mm)	
	min	max
3 x 300PBM/G-11-X	12.0	17.5
3 x 300PBM/G-16-X	17.0	23.5
3 x 300PBM/G-18-X	19.0	28.0
3 x 300PBM/G-22-X	23.5	32.0
3 x 300PBM/G-27-X	28.5	37.5
3 x 300PBM/G-30-X*	36.0	40.5

* will include an adapted installation instruction

TABLE X

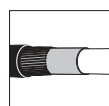
Conductor sizes (mm ²)	Aluminium conductor		Aluminium and copper conductor	Copper conductor
	DIN hexagonal	Deep indent	Bolted	DIN hexagonal
35	35(K)M-10-2	35KM-10-1	16.95-14-5 50.150-14-5 95.240-14-5 120.300-14-5	35(K)M-11-2
50	50(K)M-10-2	50(K)M-10-1		50(K)M-11-2
70	70(K)M-10-2	70(K)M-10-1		70(K)M-11-2
95	95(K)M-10-2	95(K)M-10-1		95(K)M-11-2
120	120(K)M-10-2	120(K)M-10-1		120(K)M-11-2
150	150(K)M-10-2	150(K)M-10-1		150(K)M-11-2
185	185(K)M-10-2	185(K)M-10-1		185(K)M-11-2
240	240(K)M-10-2	240(K)M-10-1		240(K)M-11-2
300	300(K)M-10-2	-		300(K)M-11-2



For use with copper tape screened cables.
Order: Kit MT.



For use in potentially explosive atmospheres (for 12 kV max).
Add -/ATEX to part number.



For use with copper wire screened cables.
No earthing device is necessary.



For use with other cable types.
Please contact our representative.



For outdoor applications.
Order: +MWS.



This product can also be installed using a 411 CA.
Please contact our representative.

APPLICATION

Surge arrester designed to protect 12, 24 and 36 kV class components, including transformers, equipment, cable and accessories from high voltage surges resulting from lightning or switching. It has been designed to be used with the 430TB separable tee connector.

DESIGN

Surge arrester comprising:

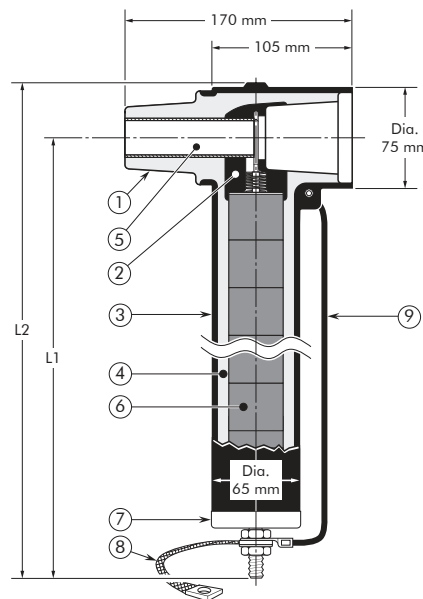
1. Interface designed to fit the 430TB tee connector.
2. Conductive EPDM insert.
3. Conductive EPDM jacket.
4. Insulating EPDM layer moulded between the insert and the jacket.
5. Receptacle for contact rod.
6. Metal oxide valve elements.
7. Steel cap.
8. Earth connection.
9. Earth lead.

SPECIFICATIONS AND STANDARDS

The 300SA surge arresters meet the test requirements of IEC 60099-4.

TECHNICAL CHARACTERISTICS

- This surge arrester is a metal oxide varistor surge arrester in an elbow configuration.
- Each arrester is tested for AC withstand, partial discharge and critical voltage prior to leaving the factory.



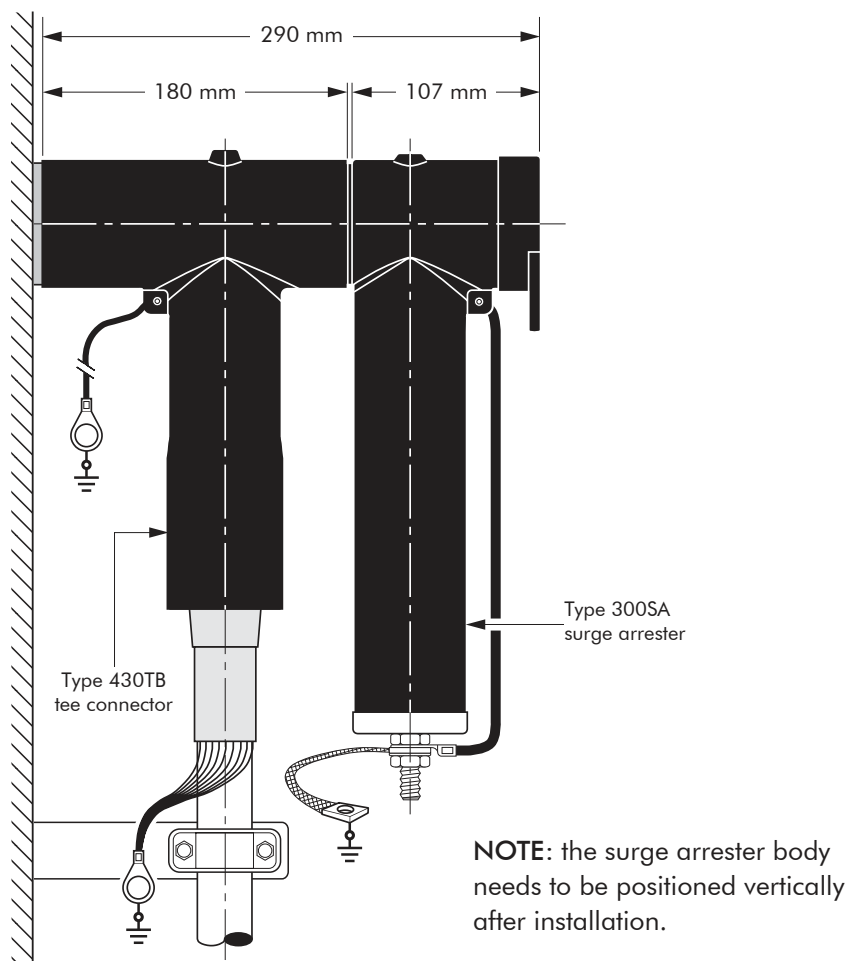
6/10 (12) kV
6.35/11 (12) kV
8.7/15 (17.5) kV
12/20 (24) kV
12.7/22 (24) kV
18/30 (36) kV
19/33 (36) kV

Up to 36 kV

EUROMOLD®

Surge arrester type	Nominal discharge current I _n (kA)	Rated voltage U _r (kV)	Max. continuous operating voltage U _c (kV)	Dimensions (mm)	
				L1	L2
300SA-10-6N	10	6	4.8	270	310
300SA-10-9N	10	9	7.2	270	310
300SA-10-12N	10	12	9.6	270	310
300SA-10-15N	10	15	12.0	270	310
300SA-10-18N	10	18	14.4	270	310
300SA-10-22N	10	22	17.6	270	310
300SA-10-24N	10	24	19.2	370	410
300SA-10-30N	10	30	24.0	370	410
300SA-10-33N	10	33	26.4	370	410
300SA-10-36N	10	36	28.8	370	410
300SA-10-45N	10	45	36.0	470	510
300SA-10-51N	10	51	40.8	470	510

TYPICAL APPLICATION AND DIMENSIONS



ORDERING INSTRUCTIONS

To order the surge arrester, specify the surge arrester type, as described on previous page.

EXAMPLE:

For a maximum continuous operating voltage (r.m.s.) of 24 kV and a nominal discharge current of 10 kA.

Order a 300SA-10-30N surge arrester.



For use in potentially explosive atmospheres (for 12 kV max).
Add -/ATEX to part number.

TECHNICAL DATA

Surge arrester type	Steep current residual voltage @ 10 kA [1/20 μs] (kV)	Lightning current residual voltage [8/20 μs] (kV)			Switching impulse residual voltage [36/90 μs] (kV)		High current impulse withstand (kA)
		@ 5 kA	@ 10 kA	@ 20 kA	@ 125 A	@ 500 A	
300SA-10-6N	20.4	16.8	18.3	20.5	12.9	13.7	100
300SA-10-9N	28.5	23.5	25.6	28.7	18.0	19.2	100
300SA-10-12N	38.0	31.4	34.2	38.3	24.1	25.7	100
300SA-10-15N	48.1	39.7	43.2	48.4	30.5	32.5	100
300SA-10-18N	58.1	48.0	52.2	58.5	36.8	39.2	100
300SA-10-22N	70.1	57.9	63.0	70.6	44.4	47.3	100
300SA-10-24N	77.0	63.6	69.2	77.6	48.8	52.0	100
300SA-10-30N	97.0	80.1	87.2	97.7	61.5	65.5	100
300SA-10-33N	103.4	85.4	93.0	104.2	65.6	69.9	100
300SA-10-36N	115.9	95.7	104.2	116.8	73.5	78.3	100
300SA-10-45N	144.1	119.0	129.5	145.1	91.3	97.3	100
300SA-10-51N	166.0	137.1	149.2	167.2	105.2	112.1	100

400TR AND 800TR

TEST RODS

APPLICATION

- The test rod can be used for:
 - cable fault location
 - cable testing
 - phasing checks, etc.
- Connections may be made with a cable lug, a 4 mm plug or spring clips.

TECHNICAL CHARACTERISTICS

- The 400TR test rod can be used with 430TB connectors.
- The 800TR is for use with the 480TB, 484TB and 489TB.



DESIGN

1. Insulating shroud.
2. Threaded rod for test connection.
3. Two nuts M12.
4. Insulation.
5. Copper test rod stem.

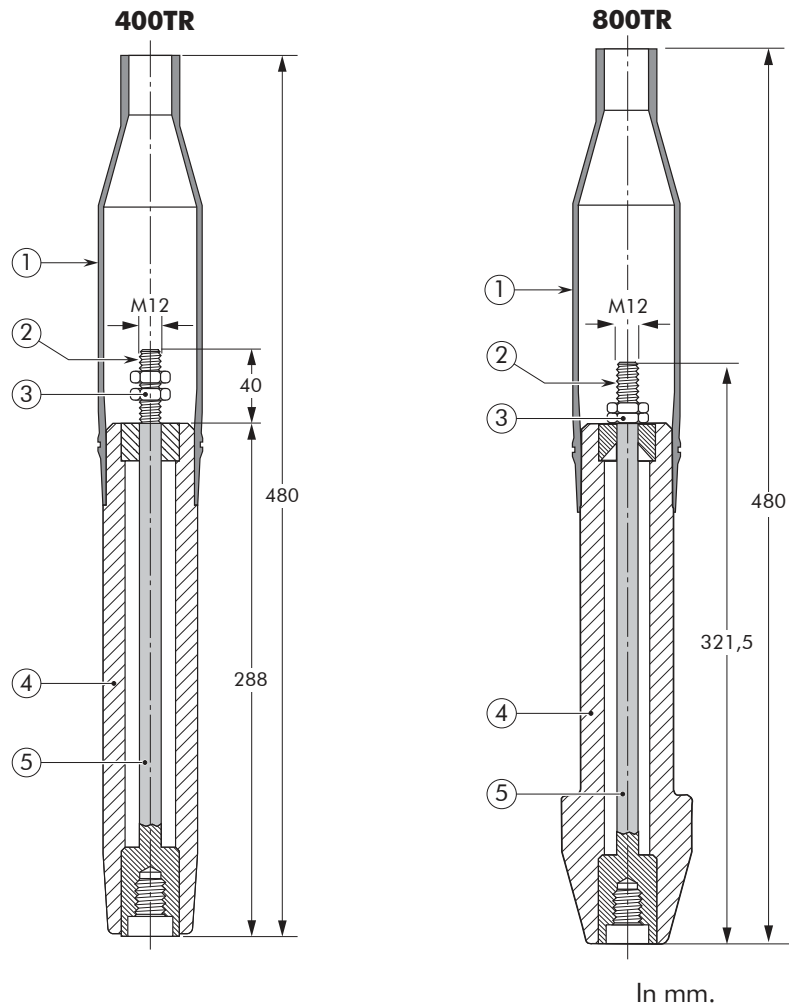
An insulating shroud is provided to allow the application of test voltages when bushings are closely spaced.

INSTALLATION

The test rod is mounted on to the clamping screw in the type C interface tee and coupling connectors. The test cable is connected to the threaded stem and the insulating shroud moved to its final position over the end of the test rod.

ORDERING INSTRUCTIONS

Simply specify:
400TR or 800TR test rod.

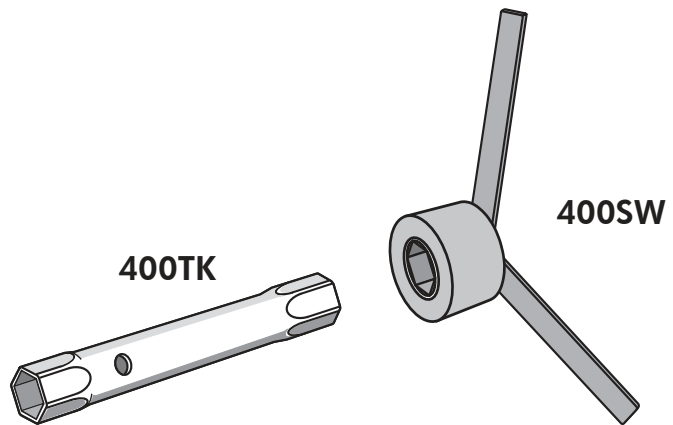


Test rod type	Maximum A.C. test voltage (50 Hz - 1 min)	Maximum D.C. test voltage (8 x U ₀ - 30 min)	Impulse voltage (1.2 x 50 μs)
400TR	36 kV	96 kV	95 kV
800TR	36 kV	96 kV	95 kV

05/2017

APPLICATION

- The box spanner and box spanner key are designed to facilitate assembly of 400TE, 400TB and 440TB connectors.
- The 400TK box spanner is used to install the 400TEF clamping pin contact or 400TCS clamping screw.
- The 400SW box spanner key fits on the hex nut of the 400BIPA basic insulating plug.



ORDERING INSTRUCTIONS

Simply specify:

- 400TK box spanner
- 400SW box spanner key.

ACCESSORIES

APPLICATION

For use with connectors and bushings with an interface C as described by CENELEC EN 50180 and 50181.

TECHNICAL CHARACTERISTICS

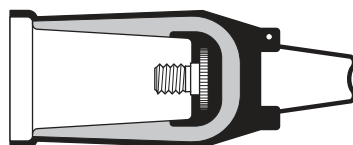
All these products, except the earthing plugs, are tested for AC withstand and partial discharge prior to leaving the factory.

6/10 (12) kV
6.35/11 (12) kV
8.7/15 (17.5) kV
12/20 (24) kV
12.7/22 (24) kV
18/30 (36) kV
19/33 (36) kV
20.8/36 (42) kV

Up to 42kV

400DR-B/G DEAD-END RECEPTACLE

Fits over a bushing with a type C interface to provide 'dead-end' facility. The dead-end receptacle is supplied with an earth lead.

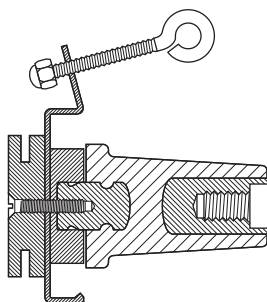


ORDERING INSTRUCTIONS

Order
400DR-B/G for 12 kV,
K400DR-B/G for 24 kV or
M400DR-B/G for 36 kV
applications.

400SOP-B STAND-OFF PLUG

Is designed to support and 'dead-end' connectors with a type C interface when removed from equipment.

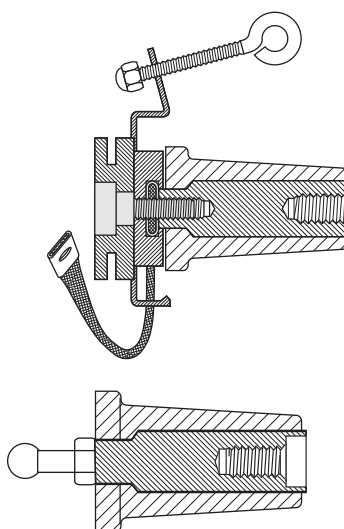


ORDERING INSTRUCTIONS

Order
400SOP-B for 12 kV,
K400SOP-B for 24 kV,
M400SOP-B for 36 kV or
P400SOP-B for 42 kV
applications.

400GP-B EARTHING PLUG

Is designed to support and earth connectors with a type C interface when removed from equipment.



ORDERING INSTRUCTIONS

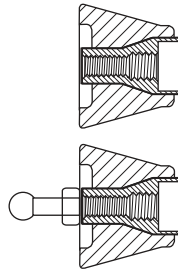
Order
400GP-B for 12, 24, 36 or
42 kV applications.

Order
400GP-SBT for a version with a
straight ball terminal bolt.

05/2017

800GP-B EARTHING PLUG

Is designed to earth the 484TB and 804PB connectors when it is fixed-mounted to the equipment (maintenance earthing).



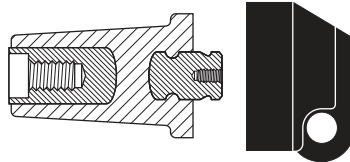
ORDERING INSTRUCTIONS

Order 800GP-B for 12, 24, 36 or 42 kV applications.

Order 800GP-SBT for a version with a straight ball terminal bolt.

400BIPA BASIC INSULATING PLUG

Acts as a tightening nut for the 400TB and 440TB tee connector kits.
The plug contains a voltage detection point.
The conductive rubber protection cap is included.

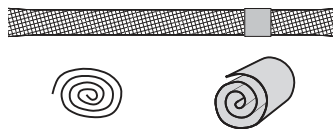


ORDERING INSTRUCTIONS

Order 400BIPA for 12 kV, K400BIPA for 24 kV, M400BIPA for 36 kV or P400BIPA for 42 kV applications.

KIT MT EARTHING KIT FOR COPPER TAPE SCREENED CABLES

Contains a tinned copper braid (25 mm² - L = 500 mm), a tinned copper wire for cleating and some water sealing mastic.

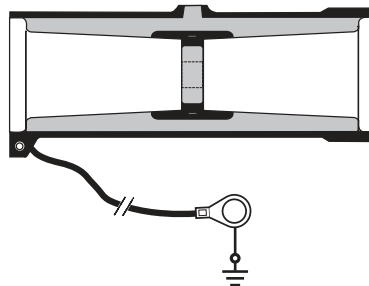


ORDERING INSTRUCTIONS

Order Kit MT for 12 kV, 24 kV, 36 kV or 42 kV applications.

400BE/G BUSHING EXTENDER

Provides an extension piece to allow cables to stand away from equipment.
Is used in conjunction with the 400CP, 440CP or 440PB. The bushing extender is supplied with an earth lead.

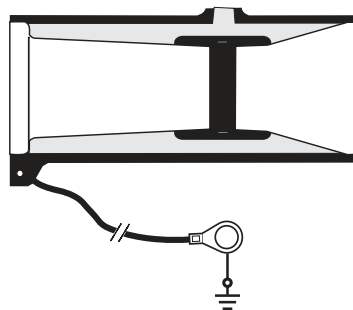


ORDERING INSTRUCTIONS

Order 400BE/G for 12 kV, K400BE/G for 24 kV, M400BE/G for 36 kV or P400BE/G for 42 kV applications.

480BE/G BUSHING EXTENDER

Provides an extension piece to allow cables to stand away from equipment.
Is used in conjunction with the 800PB, 804PB or 809PB. The bushing extender is supplied with an earth lead.



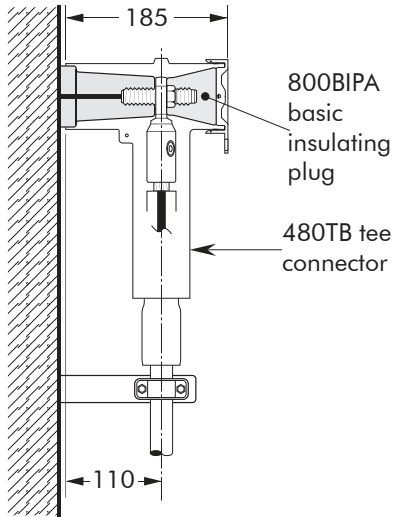
ORDERING INSTRUCTIONS

Order 480BE/G for 12 kV, K480BE/G for 24 kV, M480BE/G for 36 kV or P480BE/G for 42 kV applications.

POSSIBLE ARRANGEMENTS

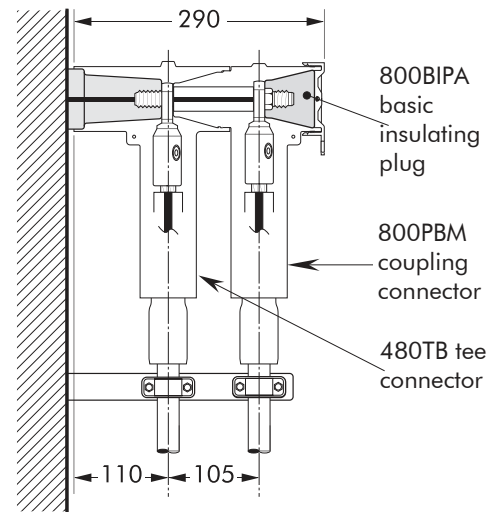
480TB

Single cable arrangement.
Order 480TB for 12 kV,
K480TB for 24 kV, M480TB
for 36 kV or P480TB for 42 kV
applications.



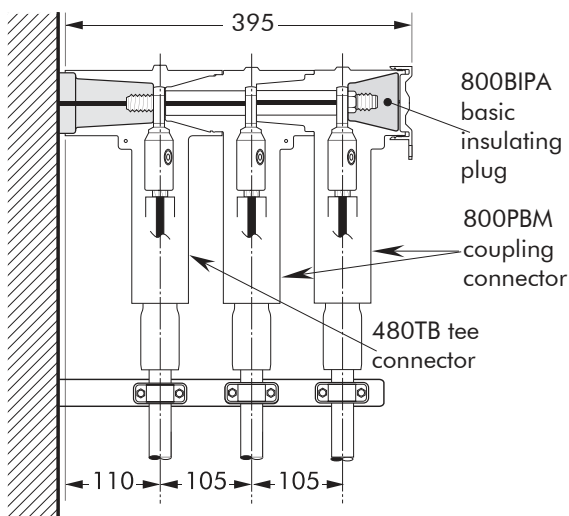
480TB-P2

Dual cable arrangement.
Order 480TB-P2 for 12 kV,
K480TB-P2 for 24 kV, M480TB-P2
for 36 kV or P480TB-P2 for 42 kV
applications.



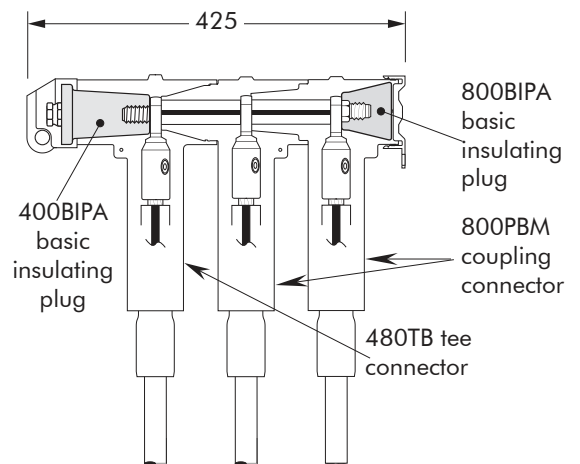
480TB-P3

Triple cable arrangement.
Order 480TB-P3 for 12 kV,
K480TB-P3 for 24 kV, M480TB-P3
for 36 kV or P480TB for 42 kV
applications.



480TB-L3

3-way connection.
Order 480TB-L3 for 12 kV,
K480TBM-L3 for 24 kV,
M480TBM-L3 for 36 kV or P480TB
for 42 kV applications.

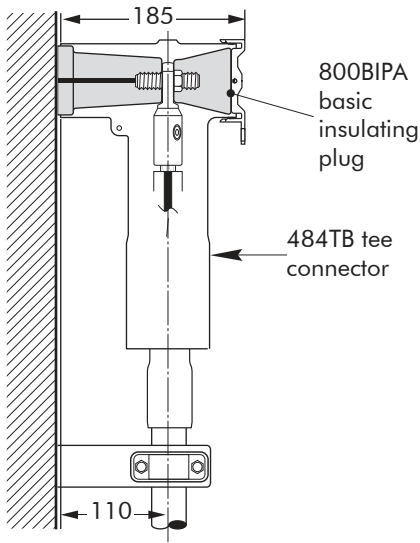


In mm.

05/2017

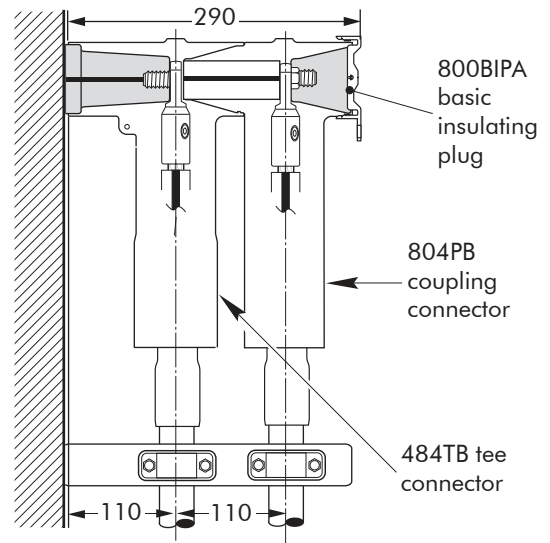
484TB

Single cable arrangement.
Order 484TB for 12 kV,
K484TB for 24 kV, M484TB
for 36 kV or P484TB for 42 kV
applications.



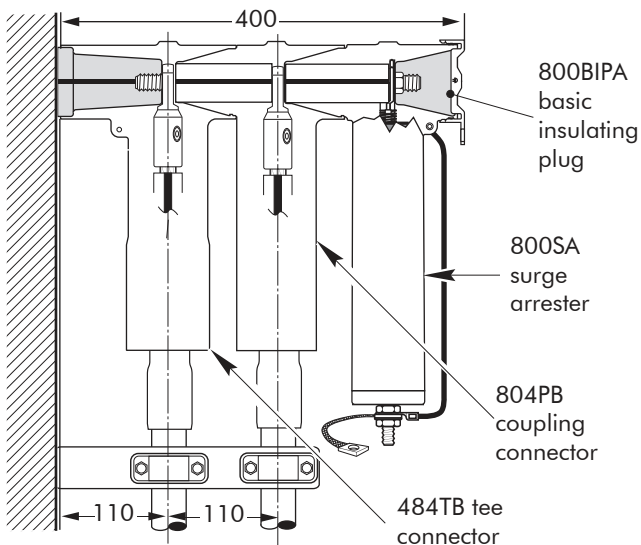
484TB-P2

Dual cable arrangement.
Order 484TB-P2 for 12 kV,
K484TB-P2 for 24 kV or
M484TB-P2 for 36 kV or
P484TB-P2 for 42kV applications.



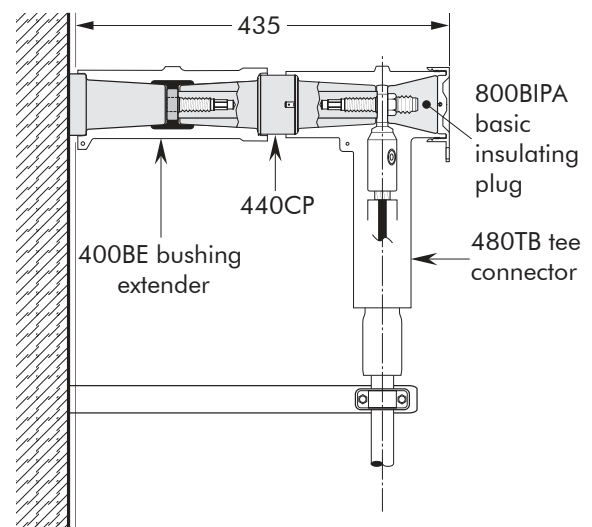
484TB-P2+800SA

Dual cable arrangement with
surge arrester.
Order 484TB-P2+800SA for 12
kV, K484TB-P2+800SA for 24 kV,
M484TB-P2+800SA for 36 kV
or P484TB-P2+800SA for 42 kV
applications.



400BE+480TB

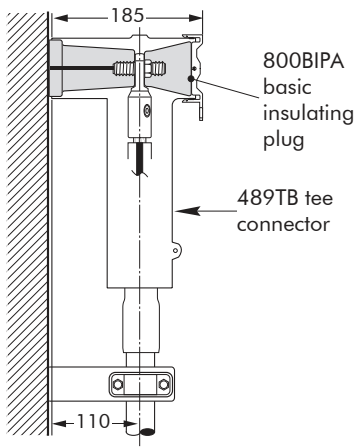
Order 400BE+480TB for 12
kV, K400BE+480TB for 24 kV
or M400BE+480TB for 36 kV
applications.



In mm.

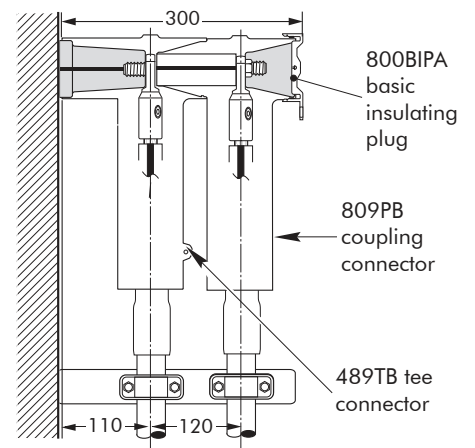
489TB

Single cable arrangement.
Order 489TB for 12 kV,
K489TB for 24 kV, M489TB
for 36 kV or P484TB for 42 kV
applications.



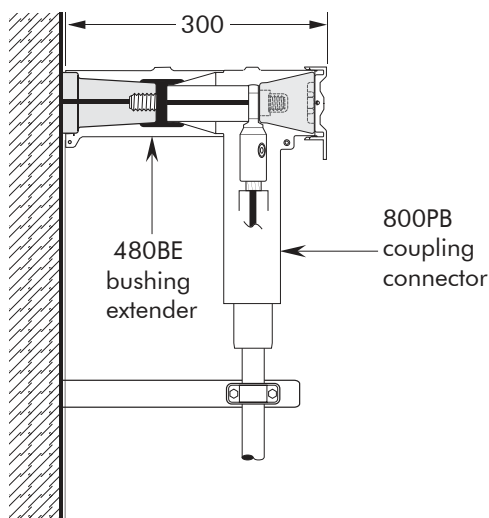
489TB-P2

Dual cable arrangement.
Order 489TB-P2 for 12 kV,
K489TB-P2 for 24 kV or
M489TB-P2 for 36 kV or
P489TB-P2 for 42kV applications.



480BE+800PB

Single cable arrangement.
Order 480BE+800PB for 12
kV, K480BE+800PB for 24 kV,
M480BE+800PB for 36 kV
or P480BE+800PB for 42 kV
applications.

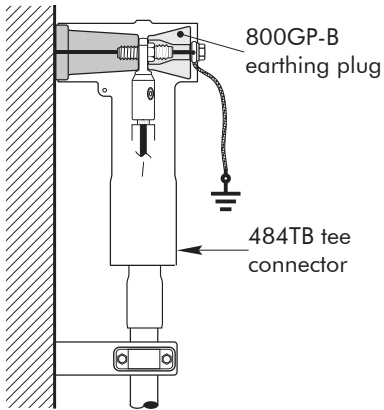


In mm.

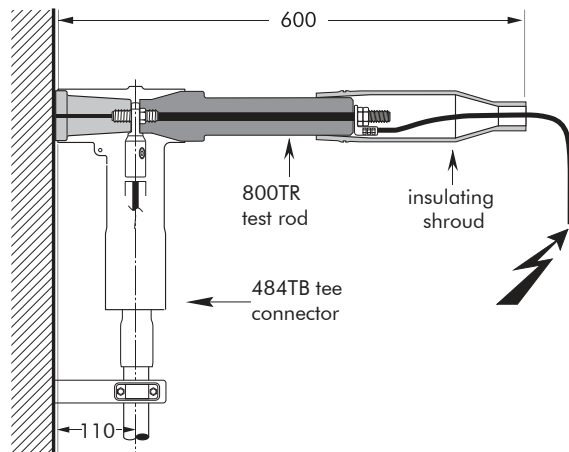
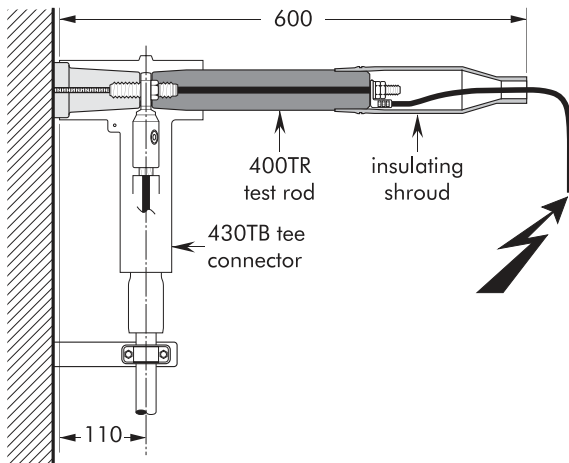
05/2017

EARTHING PLUG ON CONNECTOR

Order 800GP-B for 12 kV, 24 kV and 36 kV applications.



CABLE AND EQUIPMENT TESTING



In mm.

APPLICATION

For sealing of three core polymeric insulated cable crutches and earthing of the metallic screens and armour.

For use with Euromold separable connectors with ground lead (/G) or with terminations.

DESIGN

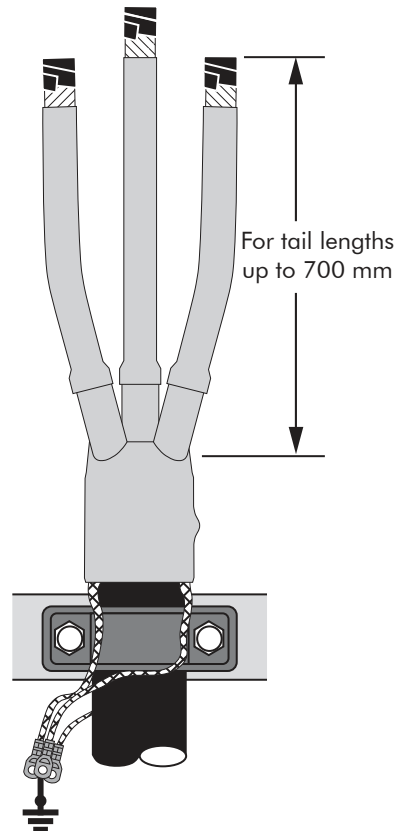
The three core heat-shrink breakout kit consists of (depending on cable type): a heat-shrinkable breakout, 3 sleeves of 500 mm, earth braid and roll springs, hose clamp, water sealing mastic and installation instructions.

ORDERING INSTRUCTIONS

To order the 3-core kit, select the part number, which gives you the best centering over the cable core insulation diameter and substitute **X** using table X, according to your cable type.

TECHNICAL CHARACTERISTICS

The installed breakout fullfills the requirements of IP54. The armouring and screen connection systems have short circuit rating (Isc) of up to 5,1 kA/1s.



Ordering part number	Typical use Conductor sizes (mm ²)		Diameter over core isolation (mm)	Diameter over armour (mm)
	12, 17 & 24 kV	36 kV		
T-HSBK-20-X	16-95	-	12-23	50-70
T-HSBK-30-X	95-240	16-95	19-31	60-80
T-HSBK-40-X	185-400	95-240	24-35	70-90
T-HSBK-50-X	-	185-400	32-40	80-100

Table X

X depending on cable type	X
Unarmoured, individual copper tape screen	DR1K
Unarmoured, individual copper wire screen	DR2K
Unarmoured, common copper wire screen	DR3K
Armoured, individual copper tape or wire screen	DR1F/DR2F
Armoured, common copper wire screen	DR3F

05/2017

NOTES



THORNE &
DERRICK
INTERNATIONAL

Thorne & Derrick
+44 (0) 191 410 4292
www.powerandcables.com



Find out more about Nexans Power Accessories.


BRINGS ENERGY TO LIFE