



THORNE &
DERRICK
INTERNATIONAL

Thorne & Derrick
+44 (0) 191 410 4292
www.powerandcables.com

EUROMOLD®

INTERFACE E - 5/8"
MEDIUM VOLTAGE SEPARABLE
CONNECTORS AND BUSHINGS

CATALOGUE 2017



 **Nexans**
BRINGS ENERGY TO LIFE

COMPANY PRESENTATION



EUROMOLD

Euromold is the leading European specialised designer, manufacturer and distributor of prefabricated cable accessories for medium voltage energy distribution. Euromold provides a complete range of accessories for underground cables: premoulded EPDM rubber connectors for cables and epoxy bushings for transformers and switchgear, as well as a large range of cold-shrinkable terminations and joints from 12 to 42 kV.

Euromold is also the manufacturer of electrical components for the high voltage accessories of the Nexans group.

ISO 9001 Certificate

Since 1992, Euromold's commitment to quality is demonstrated by its ISO 9001 certification.

International standards

All our products meet the International standards like CENELEC HD 629.1, CENELEC EN 50180, IEC 60137, IEC 60502-4... or country specifications. Official certificates, CESI, KEMA, ATEX... prove the conformity of our products. Long duration tests of existing or new products are continuously performed in our test fields.

Laboratory accreditation

Since June 2000, Euromold's independent ELAB laboratory obtained the BELAC accreditation no.144-TEST conform with the European standards for laboratories ISO 17025 for electrical testing of low and medium voltage cable accessories according to the international standards EN 50393, IEC 60502-4, IEC 61442 and HD 629.



While every care is taken to ensure that the information contained in this publication is correct, no legal responsibility can be accepted for any inaccuracy. Nexans Network Solutions N.V. - Div. Euromold reserves the right to alter or modify the characteristics of its products described in this catalogue as standards and technology evolve.

SEPARABLE CONNECTORS AND BUSHINGS

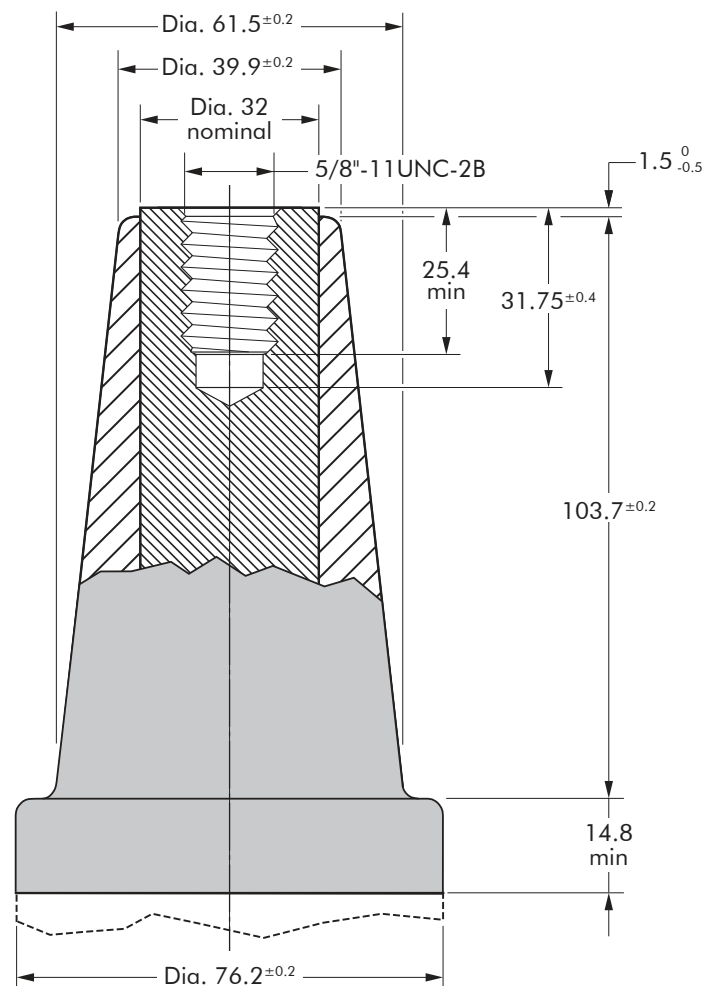
INTERFACE E - 5/8"

TABLE OF CONTENTS

- 784TB - tee connector
- 750S1, 775S1 & 775T1 - equipment bushing
- Accessories
- Possible arrangements

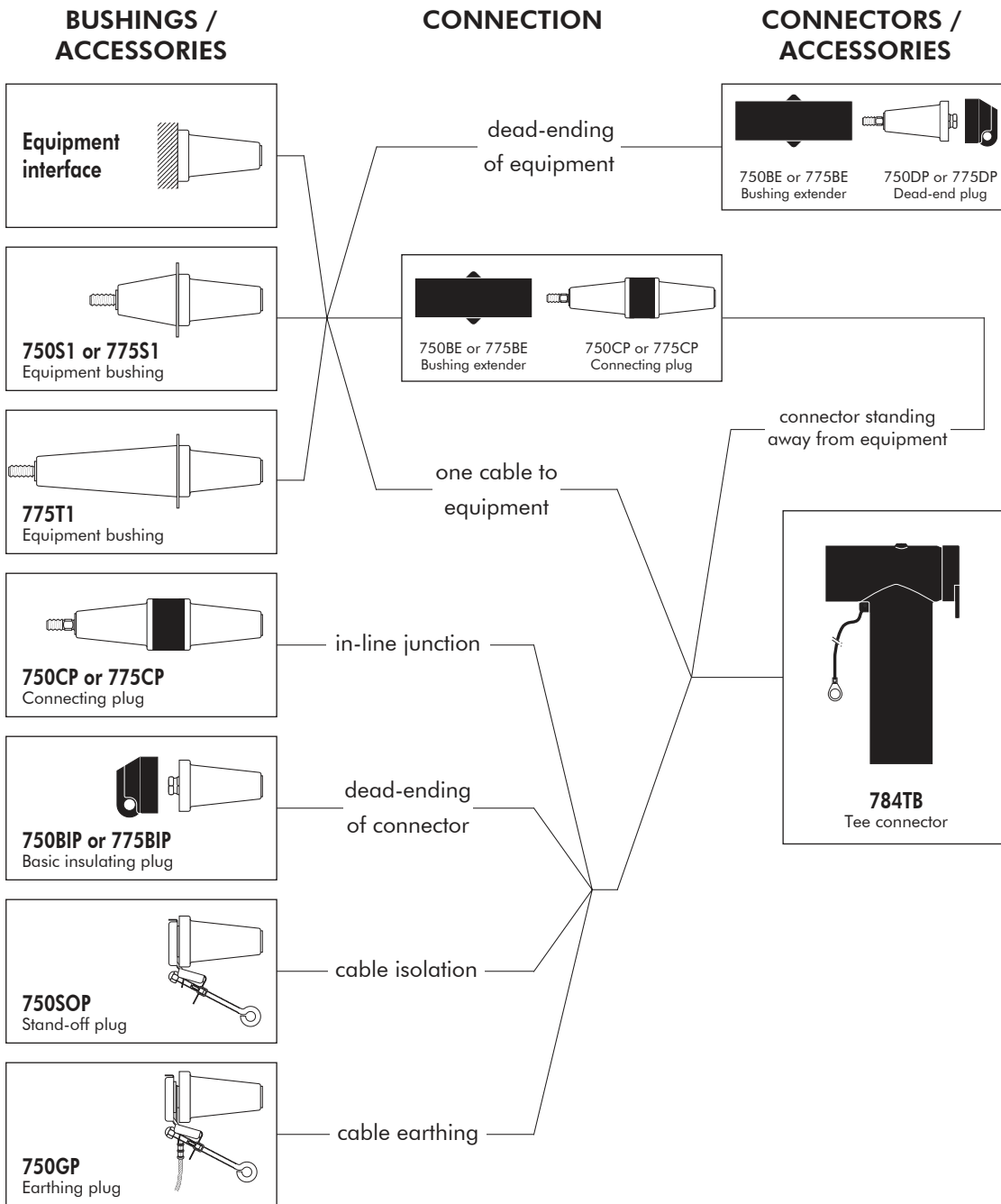
INTERFACE E - 5/8"

Dimensions according to IEEE std. 386 (in mm, except where noted).



In mm.

CONNECTING POSSIBILITIES



APPLICATION

Separable tee shape connector (bolted type) designed to connect polymeric insulated cable to equipment (transformers, switchgear, motors, ...). Also connects cable to cable when using the appropriate mating parts.

TECHNICAL CHARACTERISTICS

- The thick conductive EPDM jacket provides a total safe to touch screen which ensures safety for personnel.
- Each separable connector is tested for AC withstand and partial discharge prior to leaving the factory.

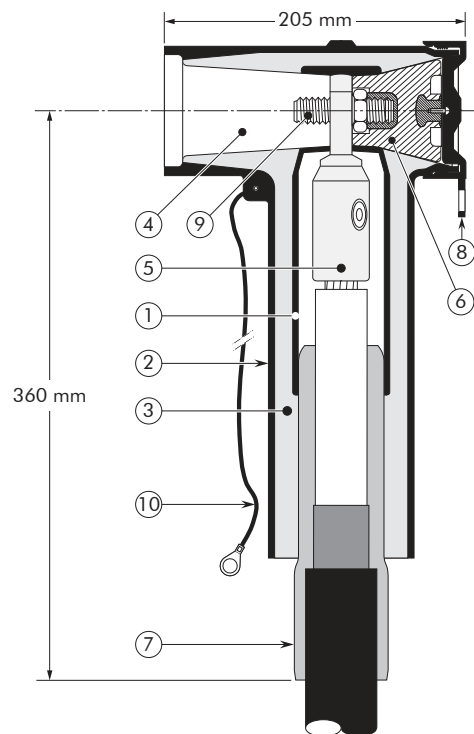


DESIGN

Separable connector comprising:

1. Conductive EPDM insert.
2. Conductive EPDM jacket.
3. Insulating EPDM layer moulded between the insert and the jacket.
4. Type E 5/8" interface as described by IEEE 386.
5. Conductor contact.
6. Basic insulating plug 858 BIPA (with VD point).
7. Cable reducer.
8. Conductive rubber cap.
9. Stud/nut/washer 5/8".
10. Earthing lead.

The screen break design enables cable outer sheath testing without removing or dismantling the connector.



6/10 (12) kV
 6.35/11 (12) kV
 8.7/15 (17.5) kV
 12/20 (24) kV
 12.7/22 (24) kV
 18/30 (36) kV
 19/33 (36) kV
 20.8/36 (42) kV

Up to 42 kV
Up to 800 A

EUROMOLD®

SPECIFICATIONS AND STANDARDS

The 784TB separable connector meets the requirements of CENELEC HD 629.1.

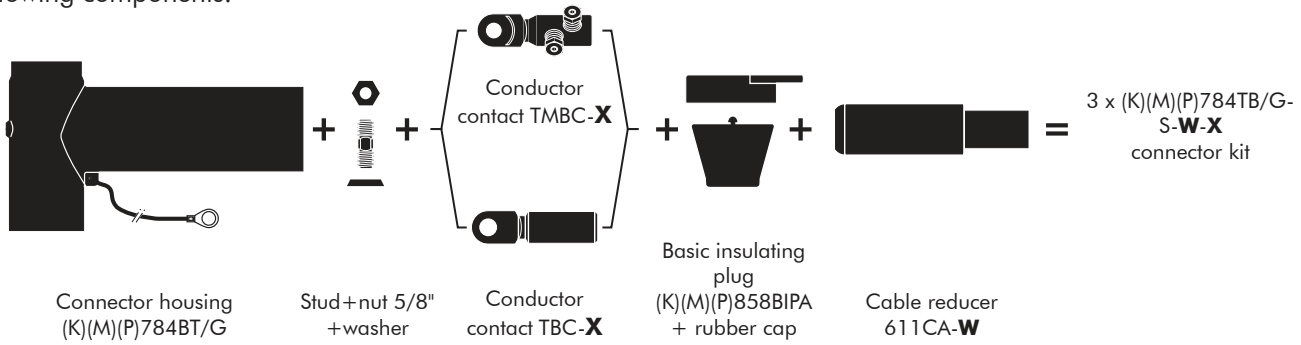
Separable connector type	Voltage U_m (kV)	Current I_r (A) When installed on an appropriate equipment bushing	Conductor sizes (mm ²)	
			min	max
784TB/G	12	800	50	630
K784TB/G	24	800	35	630
M784TB/G	36	800	35	630
P784TB/G	42	800	35	630

05/2017

KIT CONTENTS

The complete (K)(M)(P)784TB/G tee connector kit comprises 3x the following components:

The kit also comprises silicone grease, field control mastic, gloves, roll adhesive tape, installation instructions, venting rod and crimp chart.



ORDERING INSTRUCTIONS

To order the tee connector, select the ordering part number which gives you the best centring of your core insulation diameter and substitute **X** using table X, according to your conductor size and type. Add a 'K' for use up to 24 kV, add an 'M' for use up to 36 kV, add a 'P' for use up to 42 kV.

EXAMPLE:

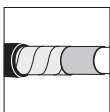
The copper wire screened cable is 36 kV, 240 mm² stranded aluminium with a diameter over core insulation of 37.0 mm. Order 3 x M784TB/G-S-32-240AL2.

TABLE W

Ordering part number	Dia. over core insulation (mm)	
	min	max
3 x 784TB/G-S-15-X	16.0	22.0
3 x 784TB/G-S-19-X	20.0	26.5
3 x 784TB/G-S-22-X	23.5	31.0
3 x 784TB/G-S-27-X	28.5	37.5
3 x 784TB/G-S-32-X	34.0	42.5
3 x 784TB/G-S-37-X	39.0	48.5
3 x 784TB/G-S-43-X	45.5	56.0

TABLE X

Conductor sizes (mm ²)	Aluminium conductor		Aluminium and copper conductor	Copper conductor
	DIN hexagonal	Deep indent	Bolted	DIN hexagonal
35	35AL2	35AL1		35UN2
50	50AL2	50AL1		50UN2
70	70AL2	70AL1		70UN2
95	95AL2	95AL1		95UN2
120	120AL2	120AL1		120UN2
150	150AL2	150AL1		150UN2
185	185AL2	185AL1		185UN2
240	240AL2	240AL1		240UN2
300	300AL2	300AL1		300UN2
400	400AL2	400AL1		400UN2
500	500AL2	500AL1		500UN2
630	630AL2	630AL1		630UN2



For use with copper tape screened cables. Order: Kit MT.



For use in potentially explosive atmospheres (for 12 kV max.). Order: -/ATEX.



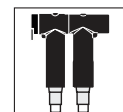
For use with other cable types. Please contact our representative.



For applications outdoors and in humid climate. Order: +MWS.



Components can be ordered individually.



Multiple cable arrangement possible. Please contact our representative.

APPLICATION

Separable tee shape connector (bolted type) designed to connect polymeric insulated cable to equipment (transformers, switchgear, motors, ...). Also connects cable to cable when using the appropriate mating parts.

TECHNICAL CHARACTERISTICS

- The thick conductive EPDM jacket provides a total safe to touch screen which ensures safety for personnel.
- Each separable connector is tested for AC withstand and partial discharge prior to leaving the factory.

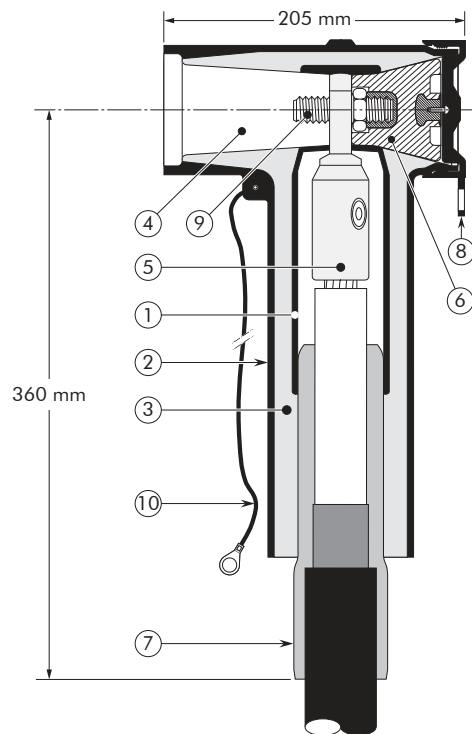


DESIGN

Separable connector comprising:

1. Conductive EPDM insert.
2. Conductive EPDM jacket.
3. Insulating EPDM layer moulded between the insert and the jacket.
4. Type E 5/8" interface as described by IEEE 386.
5. Conductor contact.
6. Basic insulating plug 858 BIPA (with VD point).
7. Cable reducer.
8. Conductive rubber cap.
9. Stud/nut/washer 5/8".
10. Earthing lead.

The screen break design enables cable outer sheath testing without removing or dismantling the connector.



6/10 (12) kV
6.35/11 (12) kV
8.7/15 (17.5) kV
12/20 (24) kV
12.7/22 (24) kV
18/30 (36) kV
19/33 (36) kV
20.8/36 (42) kV

Up to 42 kV
Up to 1250 A

EUROMOLD®

SPECIFICATIONS AND STANDARDS

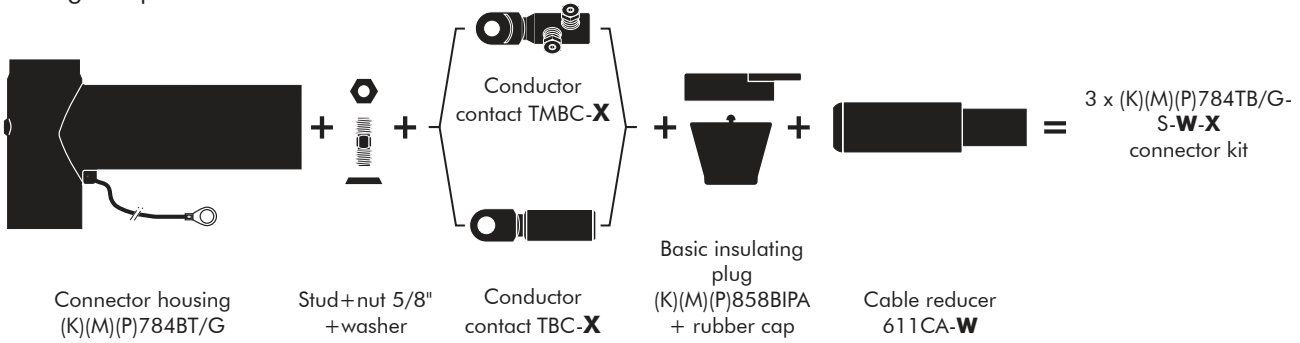
The 784TB separable connector meets the requirements of CENELEC HD 629.1.

Separable connector type	Voltage U_m (kV)	Current I_r (A) When installed on an appropriate equipment bushing	Conductor sizes (mm ²)	
			min	max
784TB/G	12	1250	50	630
K784TB/G	24	1250	35	630
M784TB/G	36	1250	35	630
P784TB/G	42	1250	35	630

05/2017

KIT CONTENTS

The complete (K)(M)(P)784TB/G tee connector kit comprises 3x the following components:



The kit also comprises silicone grease, field control mastic, gloves, roll adhesive tape, installation instructions, venting rod and crimp chart.

ORDERING INSTRUCTIONS

To order the tee connector, select the ordering part number which gives you the best centring of your core insulation diameter and substitute **X** using table X, according to your conductor size and type. Add a 'K' for use up to 24 kV, add an 'M' for use up to 36 kV, add a 'P' for use up to 42 kV.

EXAMPLE:

The copper wire screened cable is 36 kV, 240 mm² stranded aluminium with a diameter over core insulation of 37.0 mm.

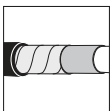
Order 3 x M784TB/G-S-32-240(K)MBI2.

TABLE W

Ordering part number	Dia. over core insulation (mm)	
	min	max
3 x 784TB/G-S-15-X	16.0	22.0
3 x 784TB/G-S-19-X	20.0	26.5
3 x 784TB/G-S-22-X	23.5	31.0
3 x 784TB/G-S-27-X	28.5	37.5
3 x 784TB/G-S-32-X	34.0	42.5
3 x 784TB/G-S-37-X	39.0	48.5
3 x 784TB/G-S-43-X	45.5	56.0

TABLE X

Conductor sizes (mm ²)	Aluminium conductor		Aluminium and copper conductor	Copper conductor
	DIN hexagonal	Deep indent	Bolted	DIN hexagonal
35	35BI2	35BI1		35CU2
50	50BI2	50BI1		50CU2
70	70BI2	70BI1		70CU2
95	95BI2	95BI1		95CU2
120	120BI2	120BI1		120CU2
150	150BI2	150BI1		150CU2
185	185BI2	185BI1		185CU2
240	240BI2	240BI1		240CU2
300	300BI2	300BI1		300CU2
400	400BI2	400BI1		400CU2
500	500BI2	500BI1		500CU2
630	-	630BI1		630CU2



For use with copper tape screened cables.
Order: Kit MT.



For use in potentially explosive atmospheres (for 12 kV max.).
Order: -/ATEX.



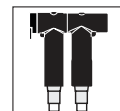
For use with other cable types.
Please contact our representative.



For applications outdoors and in humid climate.
Order: +MWS.



Components can be ordered individually.



Multiple cable arrangement possible.
Please contact our representative.

750S1, 775S1 & 775T1

INTERFACE E - 5/8" EQUIPMENT BUSHING

APPLICATION

For use in equipment insulated with oil fluid, typically for transformers, switchgear, capacitors...

TECHNICAL CHARACTERISTICS

Each bushing is tested for AC withstand and partial discharge prior to leaving the factory.



DESIGN

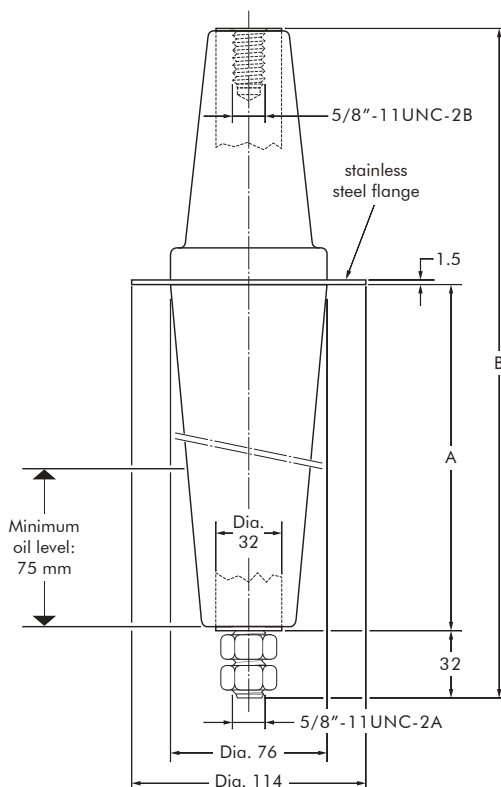
The equipment bushing is a moulded epoxy insulated part in accordance with ANSI/IEEE 386 std. (5/8" threading system).

SPECIFICATIONS AND STANDARDS

The bolted type equipment bushings 750S1, 775S1 and 775T1 meet the requirements of IEC 60137.

ORDERING INSTRUCTIONS

To order the equipment bushing, specify the type.



6/10 (12) kV
6.35/11 (12) kV
8.7/15 (17.5) kV
12/20 (24) kV
12.7/22 (24) kV
18/30 (36) kV

Up to 36 kV
800 A & 1250 A

EUROMOLD®

In mm.

Equipment bushing type	Voltage Ur (kV)	Current Ir (A)	Dimensions (mm)	
			A	B
750S1	36	800	75	235
775S1	36	1250	75	235
775T1	36	1250	221	378

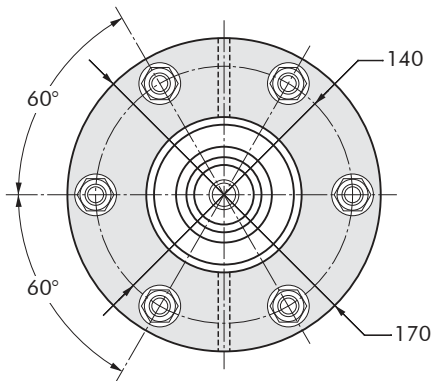
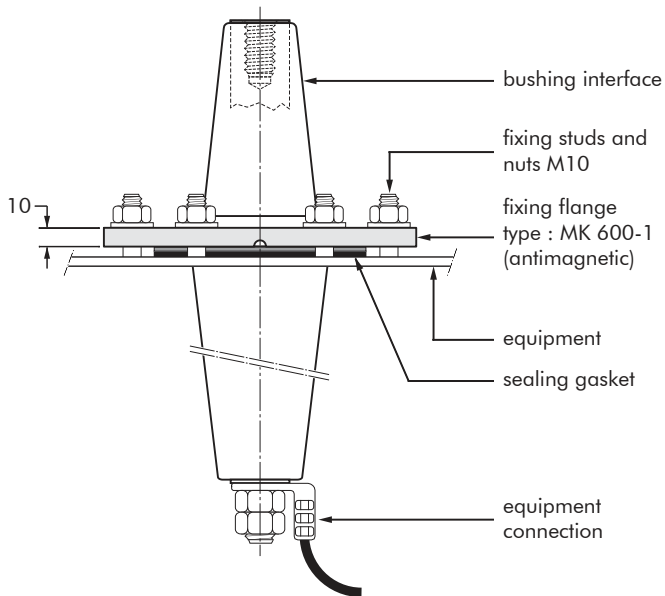
05/2017

FIXINGS FOR EQUIPMENT BUSHINGS

750S1, 775S1 AND 775T1 BUSHINGS

BUSHING FIXING FLANGE

To order the bushing fixing flange, simply specify MK600-1.



In mm.

ACCESSORIES

APPLICATION

For use with connectors and bushings with an INTERFACE E - 5/8" as described in IEEE std. 386.

TECHNICAL CHARACTERISTICS

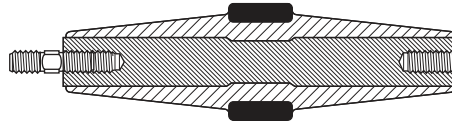
All these products, except the earthing plug, are tested for AC withstand and partial discharge prior to leaving the factory.

6/10 (12) kV
6.35/11 (12) kV
8.7/15 (17.5) kV
12/20 (24) kV
12.7/22 (24) kV
18/30 (36) kV

Up to 36 kV

750CP & 775CP CONNECTING PLUG

For connecting two or more connectors with a type E - 5/8" interface together, thus creating a separable cable joint or a multiple cable connection to equipment.

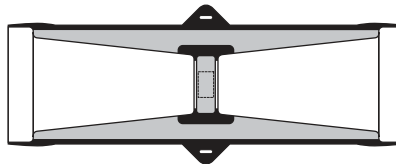


ORDERING INSTRUCTIONS

Order 750CP for 800 A or 775CP for 1250 A applications.

750BE & 775BE BUSHING EXTENDER

Provides an extension piece to allow cables to stand away from equipment. Is used in conjunction with the connecting plug (750CP or 775CP).

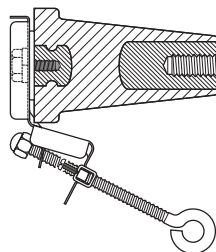


ORDERING INSTRUCTIONS

Order 750BE for 800 A or 775BE for 1250 A applications.

750SOP STAND-OFF PLUG

Is designed to support and 'dead-end' connectors with a type E - 5/8" interface when removed from equipment.



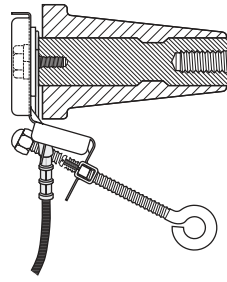
ORDERING INSTRUCTIONS

Order 750SOP for 800 A and 1250 A applications.

05/2017

750GP EARTHING PLUG

Is designed to support and earth connectors with a type E - 5/8" interface when removed from equipment.

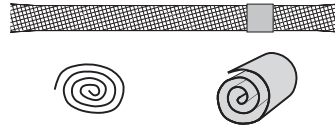


ORDERING INSTRUCTIONS

Order 750GP for 800 A and 1250 A applications.

KIT MT EARTHING KIT FOR COPPER TAPE SCREENED CABLES

Contains a finned copper braid (25 mm² - L = 500 mm), a finned copper wire for cleating and water sealing mastic.



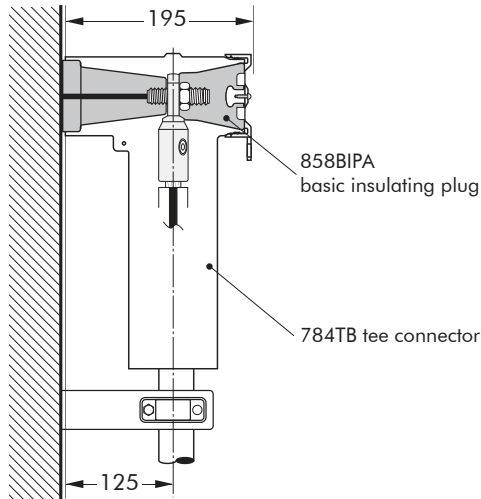
ORDERING INSTRUCTIONS

Order Kit MT for 800 A and 1250 A applications.

POSSIBLE ARRANGEMENTS

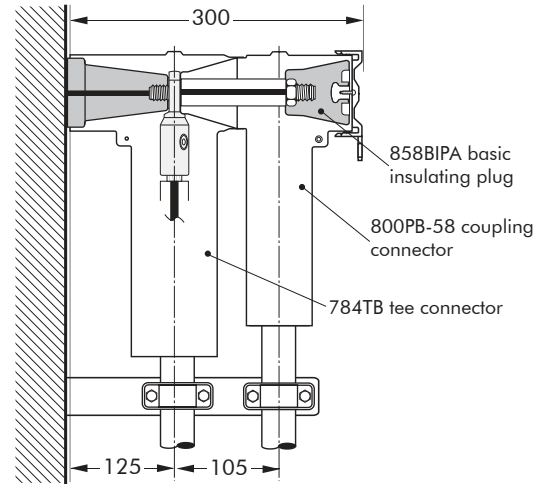
784TB

Single cable arrangement.
Order 784TB for 12 kV, 24 kV,
36 kV or 42 kV applications.



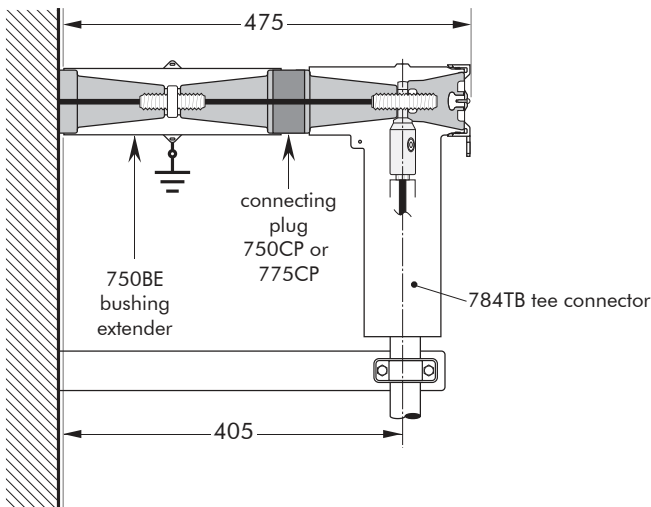
784TB+800PB-58

Dual cable arrangement.
Order 784TB+800PB-58
for 12 kV, 24 kV, 36 kV or 42 kV
applications.



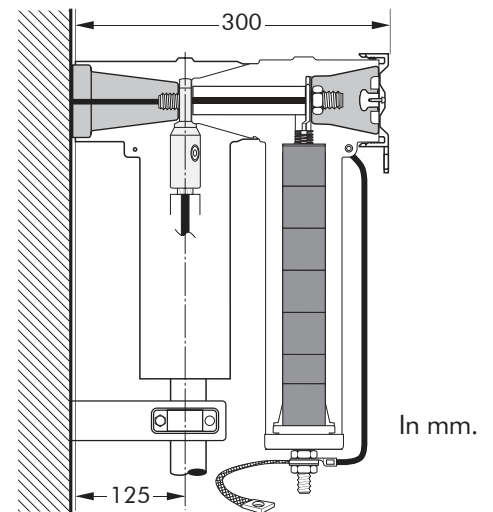
750BE+784TB

Connector standing away from
equipment.
Order 750BE+784TB
for 12 kV, 24 kV or 36 kV
applications.



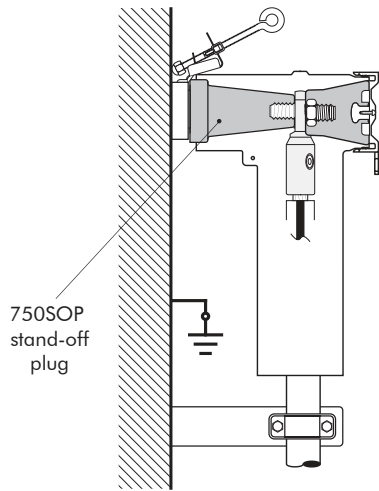
784TB+800SA-58

Dead-ending.
Order 784TB+800SA-58
for 12 kV, 24 kV, 36 kV or
42 kV applications.

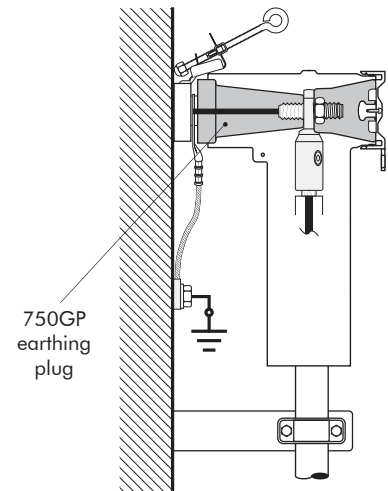


05/2017

CONNECTOR ON STAND-OFF PLUG



CONNECTOR ON EARTHING PLUG



In mm.

NOTES



THORNE &
DERRICK
INTERNATIONAL

Thorne & Derrick
+44 (0) 191 410 4292
www.powerandcables.com



Find out more about Nexans Power Accessories.

05/2017


BRINGS ENERGY TO LIFE