

## Products

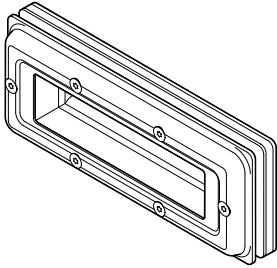


Fig. 1: CF 16 EMC

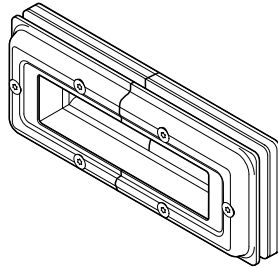
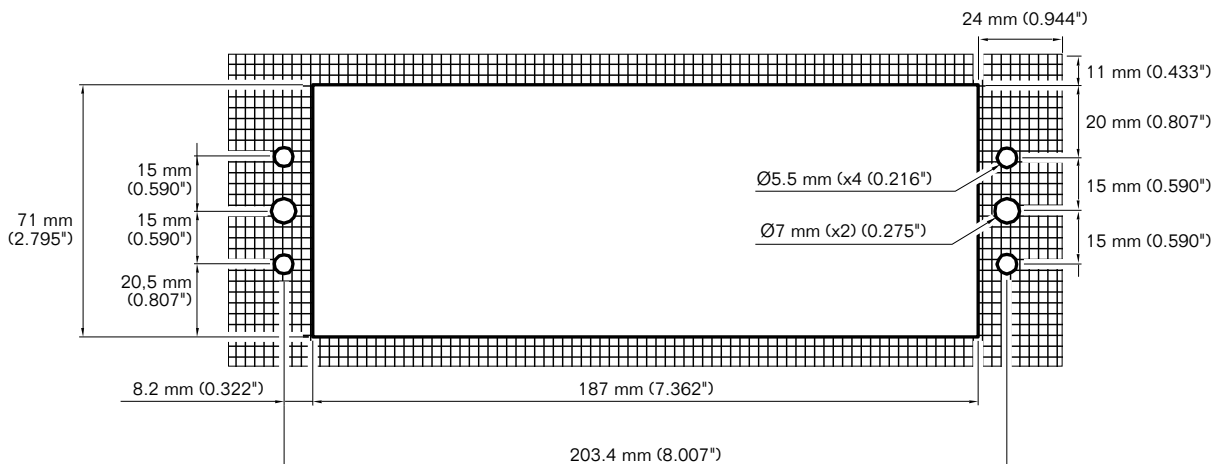


Fig. 2: CF 16 O EMC

## Aperture dimensions and conductive area



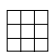
 Area that must be conductive and connected to ground

Fig. 3: Roxtec CF 16 and Roxtec CF 16 O EMC aperture dimensions

## Max wall thickness

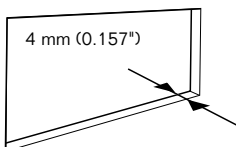


Fig. 4: Max wall thickness

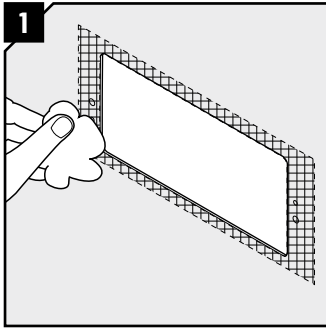
## Disassembly

Reverse order (of the installation instructions).

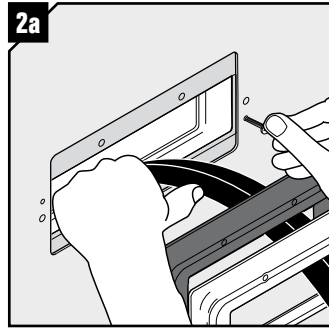
## Note

- For optimum reliability, wait 24 hours or longer after installation before exposing the cables/pipes to strain or pressure.
- To be used with: CM ES or CM PE components.
- Cables shall go straight through the frame.
- Packing space is 40x160 mm (1.574" x 6.299").

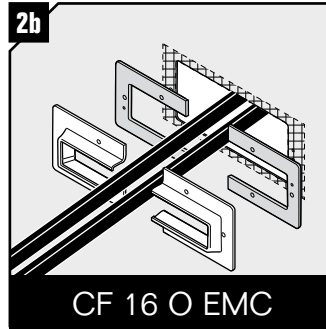
# Installation



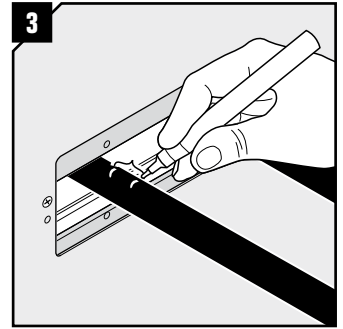
Ensure good electric conductivity between the EMC plate and the structure. Clean the surface around the opening from inside and remove paint if necessary.



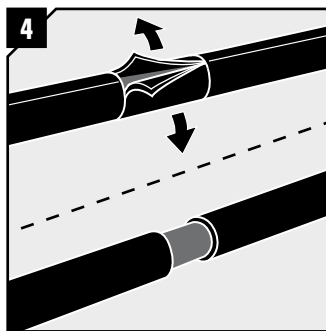
Feed the cable through the compression rubber and front plate. Install the back plate and the EMC plate inside the cabinet.



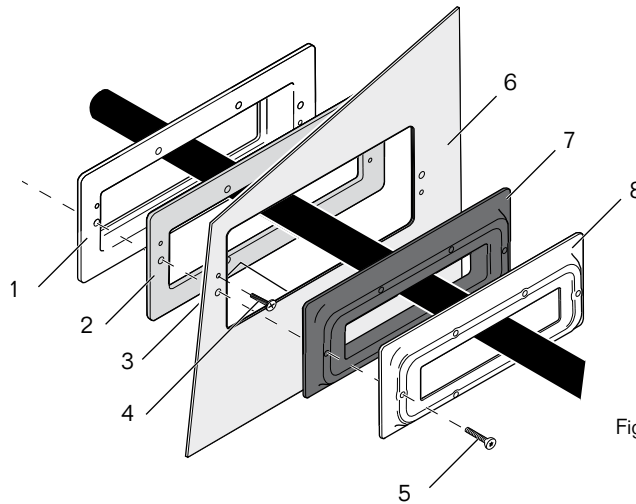
Install the back plate and the EMC plate around the cables inside the cabinet.



On the cable, mark where to remove outer jacket and armor (min 25 mm).



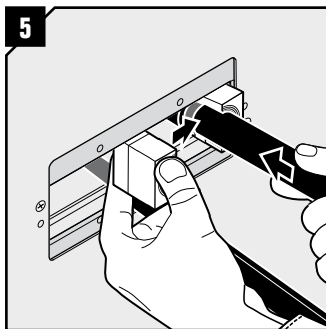
Remove the outer jacket to uncover the conductive surface. Remove any protection tape or plastic.



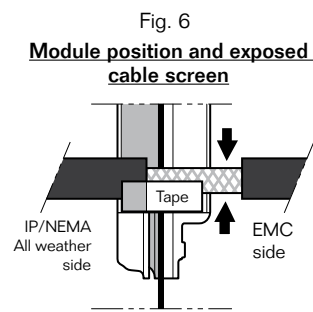
1. Back plate
2. EMC plate
3. Conductive area
4. Cross recess screws
5. Torx screws
6. Cabinet/wall
7. Compression rubber
8. Front plate

Fig. 5: Roxel CF 16 EMC installation

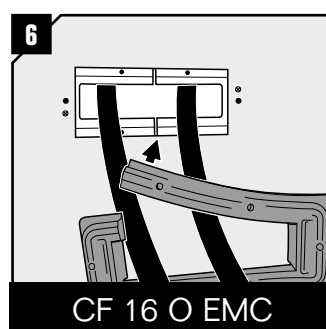
Please see next page on how to adapt the CM ES or CM PE modules.



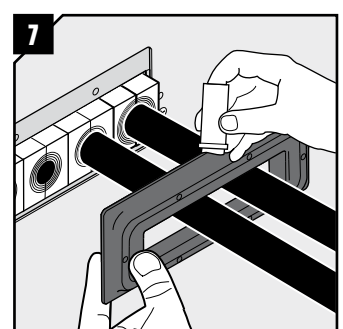
Insert the modules from the outside of the cabinet.



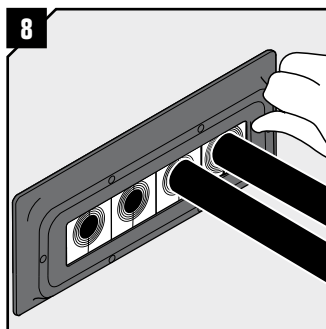
Cable and module position in the frame. Cable shall be installed so that eventual extra exposed cable screen runs into the cabinet.



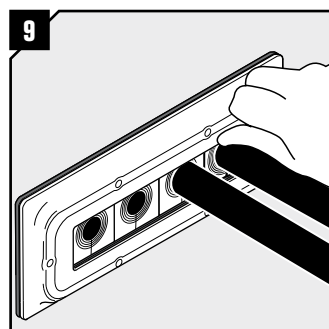
Fit the compression gasket around the cables by using the pre-opened long side.



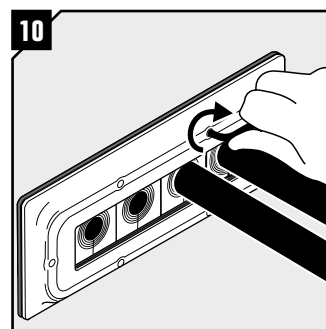
Thoroughly lubricate the compression rubber on both outside and inside surfaces with Roxel Lubricant.



Position the compression rubber on the modules.

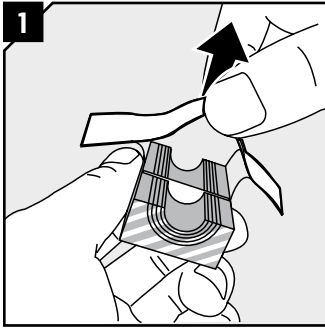


Position the front plate on the compression rubber.

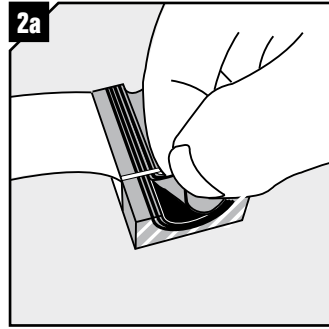


Tighten the torx screws alternately when compression rubber is in place. Always start with the short sides. Recommended torque 8-10 Nm.

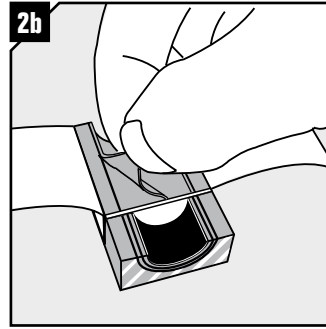
## CM ES



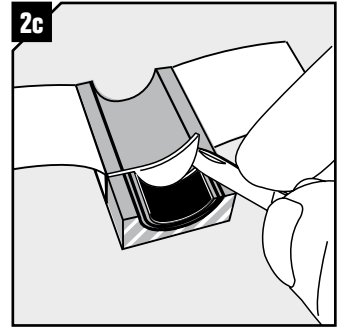
Remove the protection paper from the modules and fold back the tape.



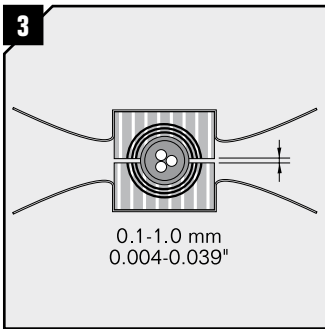
Adapt layers to outer jacket. (Fig 7:A)



Adapt layers to cable screen. (Fig 7:B)



Adapt vertical screen to cable screen. (Fig 7:C)



Test with a cable. Achieve a gap of 0.1-1.0 mm between the module halves. If not, repeat 2 a-c. The halves may not differ by more than one layer. Make sure the screen is in good contact with the module.

Fig. 7

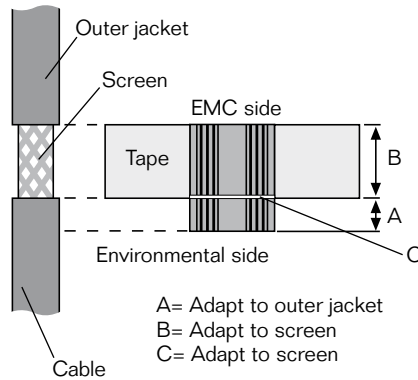
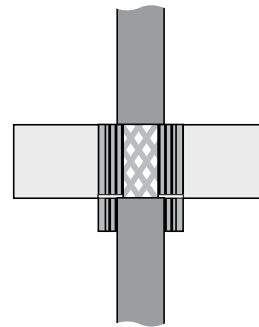


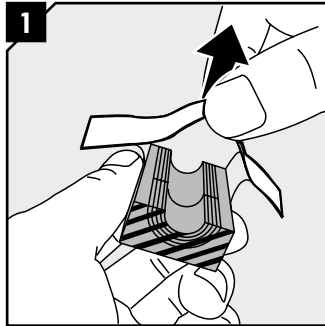
Fig. 8



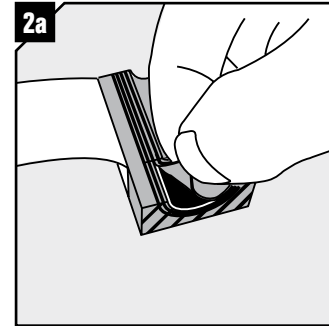
■ Minimum accommodation diameter of the module refers to the minimum cable screen diameter.

■ Maximum accommodation diameter of the module refers to the maximum cable jacket diameter.

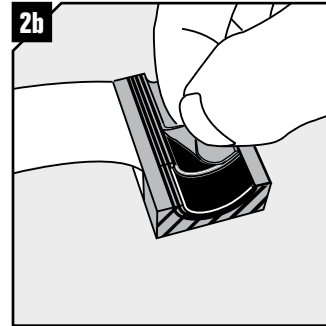
## CM PE



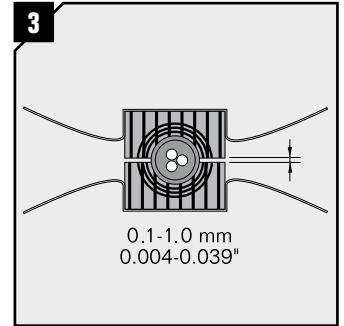
Remove the protection paper from the modules and fold back the tape.



Adapt layers to outer jacket. (Fig 9:A)



Adapt layers to screen. (Fig 9:B)



Test with a cable. Achieve a gap of 0.1-1.0 mm between the module halves. If not, repeat 2 a-b. The halves may not differ by more than one layer. Make sure the screen is in good contact with the module.

Fig. 9

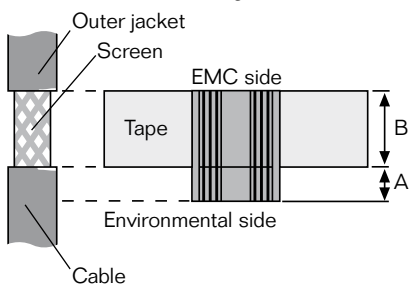
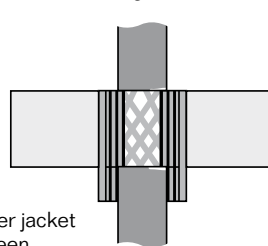


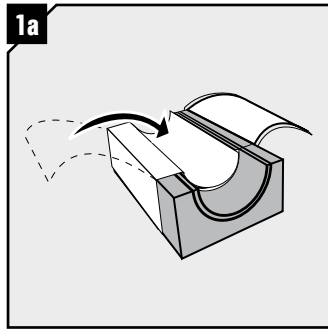
Fig. 10



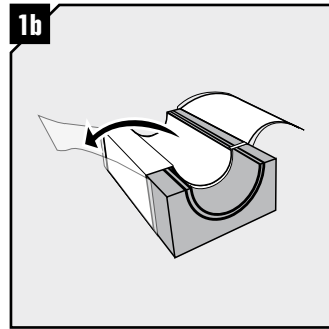
■ Minimum accommodation diameter of the module refers to the minimum cable screen diameter.

■ Maximum accommodation diameter of the module refers to the maximum cable sheath diameter.

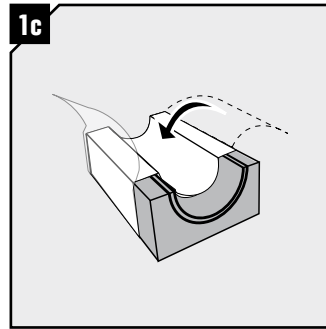
## CM ES/PE continued



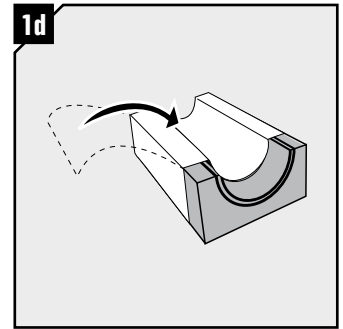
Fold the adhesive tape tightly inside the module half from one side along the inner layers.



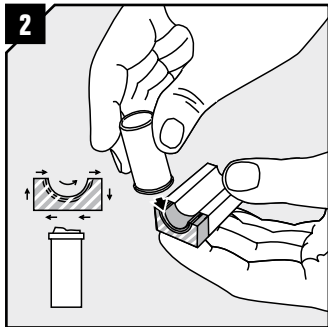
Lift the plastic film from the folded side.



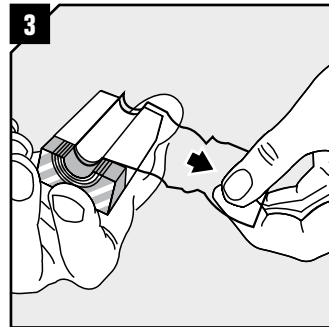
Fold the tape on the other side tightly inside the module half. There must be no air-pockets.



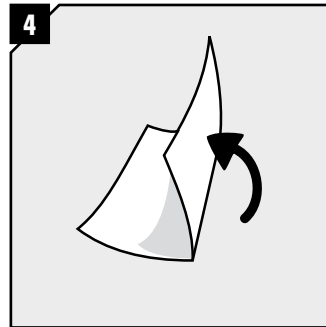
Fold the plastic film back inside the module half.



Lubricate all modules sparsely with Roxtec Lubricant on inside and outside rubber surfaces only. Do not lubricate the film.



Remove the plastic film. Keep the tape clean. **Note:** Plastic must be removed on spares also.

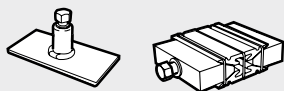


Continue to installation instructions for your frame.

Continue to page 2 for Roxtec CF 8 and Roxtec CF 32 installation instructions

### Installation tools

In order to further simplify installation, we provide tools for pre-compression of the modules in the frame. For more information about Roxtec tools, please visit [www.roxtec.com](http://www.roxtec.com).



### DISCLAIMER

"The Roxtec cable entry sealing system ("the Roxtec system") is a modular-based system of sealing products consisting of different components. Each and every one of the components is necessary for the best performance of the Roxtec system. The Roxtec system has been certified to resist a number of different hazards. Any such certification, and the ability of the Roxtec system to resist such hazards, is dependent on all components that are installed as a part of the Roxtec system. Thus, the certification is not valid and does not apply unless all components installed as part of the Roxtec system are manufactured by or under license from Roxtec ("authorized manufacturer"). Roxtec gives no performance guarantee with respect to the Roxtec system, unless (I) all components installed as part of the Roxtec system are manufactured by an authorized manufacturer and (II) the purchaser is in compliance with (a), and (b), below.  
(a) During storage, the Roxtec system or part thereof, shall be kept indoors in its original packaging at room temperature.  
(b) Installation shall be carried out in accordance with Roxtec installation instructions in effect from time to time.  
The product information provided by Roxtec does not release the purchaser of the

Roxtec system, or part thereof, from the obligation to independently determine the suitability of the products for the intended process, installation and/or use. Roxtec gives no guarantee for the Roxtec system or any part thereof and assumes no liability for any loss or damage whatsoever, whether direct, indirect, consequential, loss of profit or otherwise, occurred or caused by the Roxtec systems or installations containing components not manufactured by an authorized manufacturer and/or occurred or caused by the use of the Roxtec system in a manner or for an application other than for which the Roxtec system was designed or intended.  
Roxtec expressly excludes any implied warranties of merchantability and fitness for a particular purpose and all other express or implied representations and warranties provided by statute or common law. User determines suitability of the Roxtec system for intended use and assumes all risk and liability in connection therewith. In no event shall Roxtec be liable for indirect, consequential, punitive, special, exemplary or incidental damages or losses."



Roxtec International AB  
Box 540, 371 23 Karlskrona, SWEDEN  
PHONE +46 455 36 67 00, FAX +46 455 820 12  
EMAIL [info@roxtec.com](mailto:info@roxtec.com), [www.roxtec.com](http://www.roxtec.com)