



Products

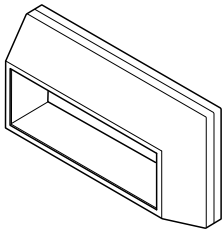


Fig. 1: Roxtec CF 8 EMC

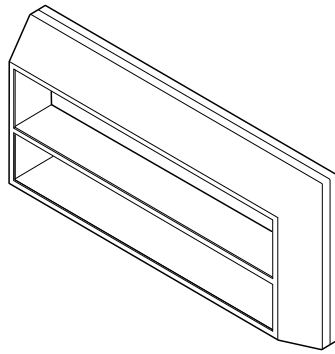


Fig. 2: Roxtec CF 32 EMC

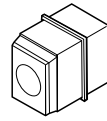


Fig. 3: C Compression unit ES

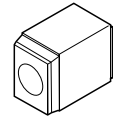


Fig. 4: C Compression IP/NEMA

Aperture dimensions, conductive area and max wall thickness

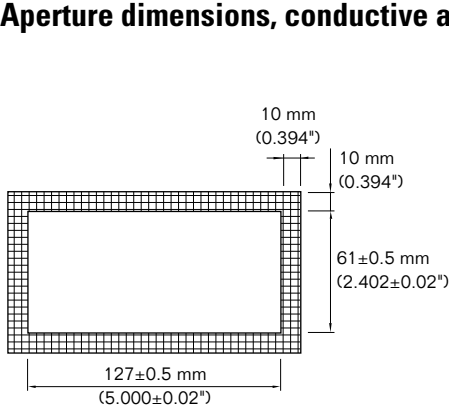


Fig. 5: Roxtec CF 8 EMC aperture dimensions

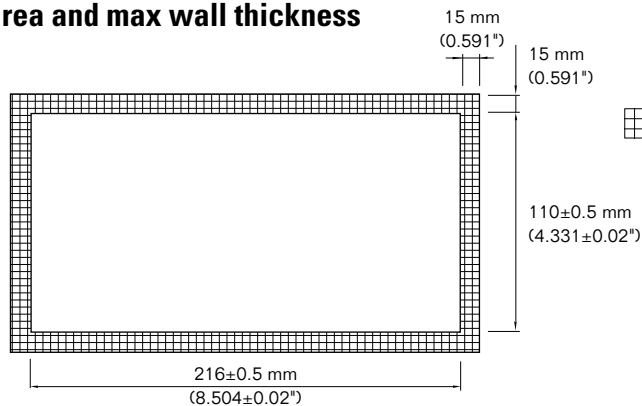



Fig. 6: Roxtec CF 32 EMC aperture dimensions

 Area that must be conductive and connected to ground

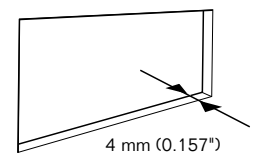


Fig. 7: Max wall thickness

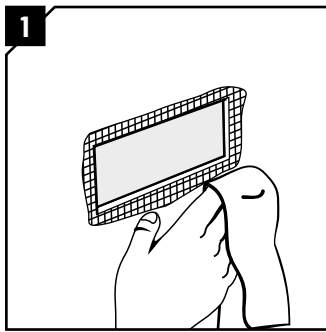
Disassembly

Reverse order (of the installation instructions).

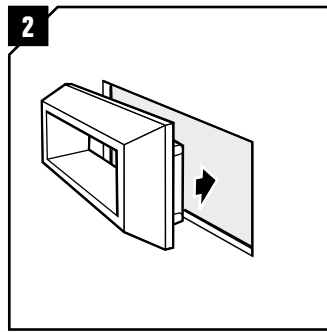
Note

- For optimum reliability, wait 24 hours or longer after installation before exposing the cables/pipes to strain or pressure.
- To be used with: CM ES or CM PE components.
- Cables shall go straight through the frame.
- Total packing space for CF 8: 40x80 mm (1.574"x3.149"), CF 32: 2x(40x160 mm) (2x(1.574"x6.299"))

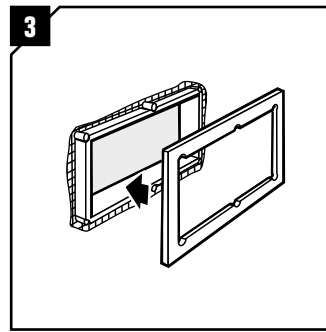
Installation



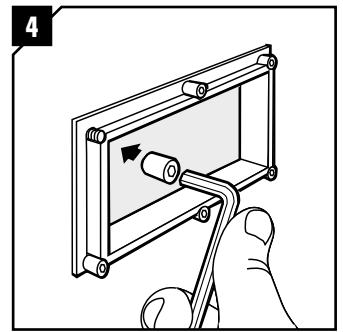
Ensure good electric conductivity between the counter frame and the structure. Clean the surface around the opening from inside the opening. Remove any paint if necessary.



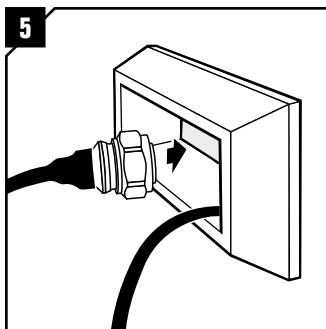
Insert the frame from the outside of the opening.



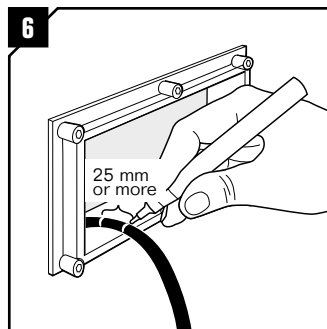
Insert the counter frame from the inside of the opening.



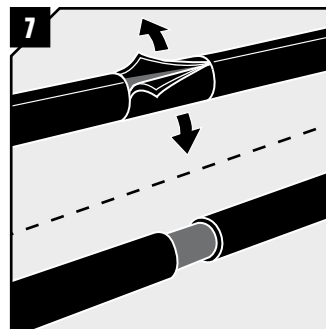
Fasten the frame by tightening the special nuts with an allen key.



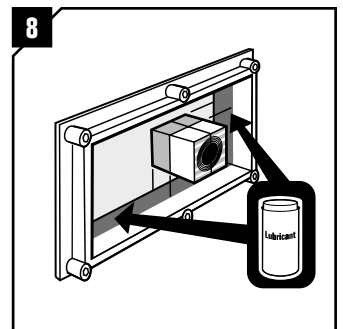
Insert all the cables.



Mark where the outer sheath is to be removed to fit the tape position.

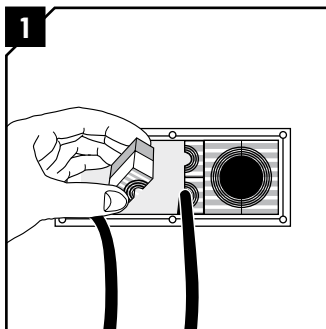


Remove the outer sheath to uncover the conductive surface. Remove any protection tape or plastic.

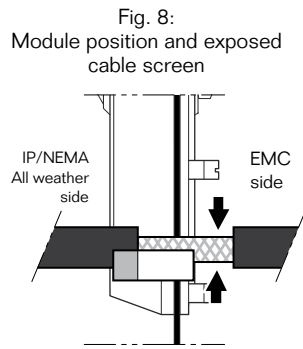


Lubricate the frame corners and areas that will be in contact with the rubber of the modules. Do not lubricate the areas that will be in contact with the tape.

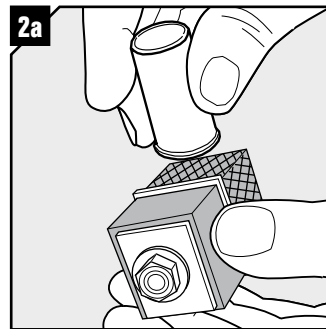
Please see next page on how to adapt the Roxtec CM ES or CM PE modules.



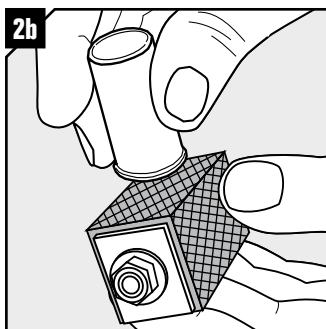
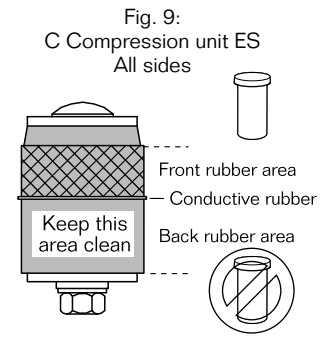
Insert the modules around the cables from the inside of the cabinet.



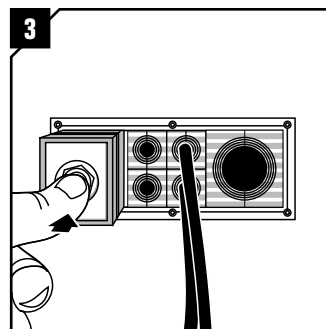
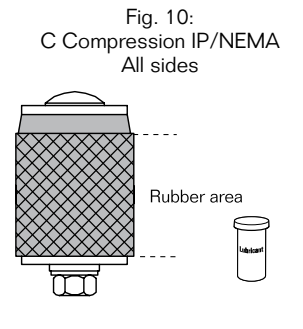
Cable and module position in the frame. Cable shall be installed so that exposed cable screen runs into the cabinet.



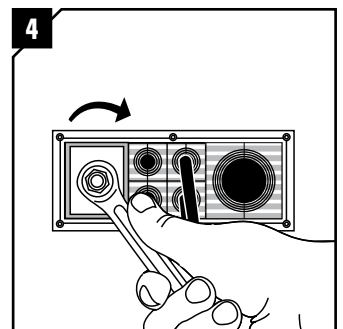
ES. Lubricate sparsely the front rubber area of the C Compression unit ES on all sides. Avoid lubricant on the conductive rubber. This is important for maintaining the EMC performance of the seal.



PE. Lubricate the C Compression IP/NEMA sparsely on all sides.

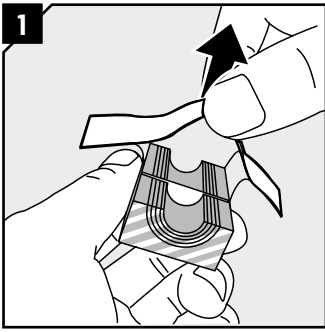


Gently insert the compression unit.

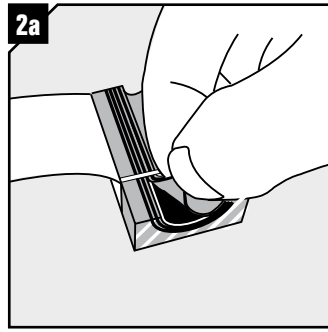


Tighten the compression unit to seal the frame. Recommended torque 8-12 Nm.

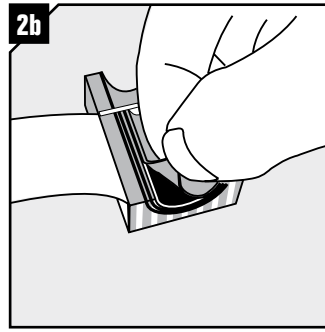
CM ES



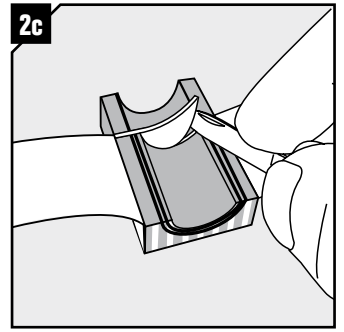
Remove the protection paper from the modules and fold back the tape.



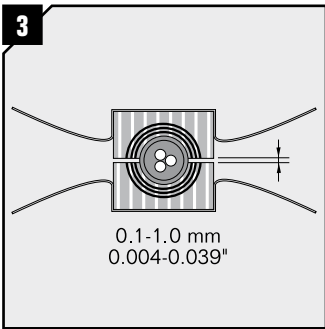
Adapt outer layers to cable. (Fig 11:A)



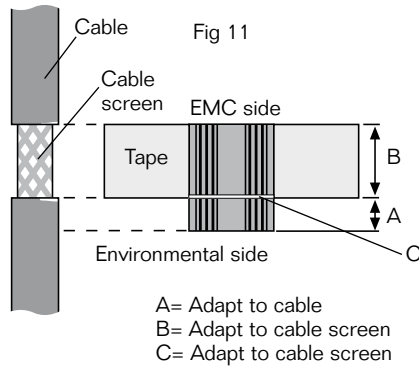
Adapt inner layers to cable screen. (Fig 11:B)



Adapt vertical screen to cable screen. (Fig 11:C)



Test with a cable. Achieve a gap of 0.1-1.0 mm between the module halves. If not, repeat 2a-c. The halves may not differ by more than one layer. Make sure the screen is in good contact with the module.



A= Adapt to cable
B= Adapt to cable screen
C= Adapt to cable screen

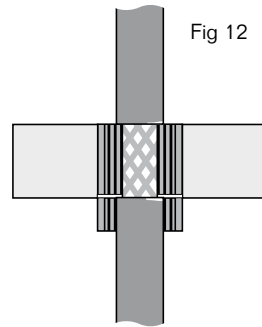
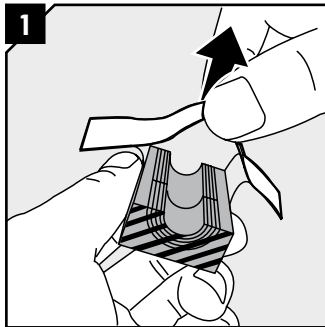


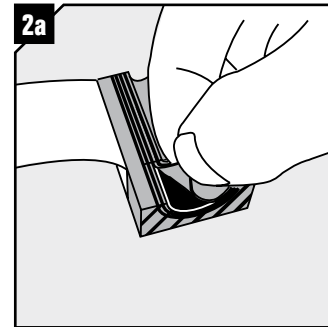
Fig 12

- Minimum accommodation diameter of the module refers to the minimum cable screen diameter.
- Maximum accommodation diameter of the module refers to the maximum cable sheath diameter.

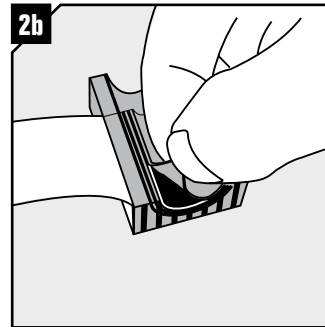
CM PE



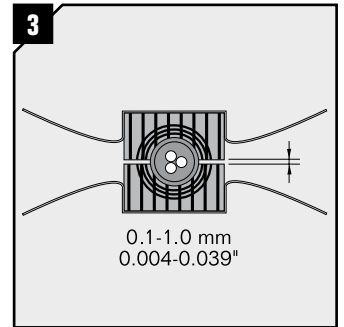
Remove the protection paper from the modules and fold back the tape.



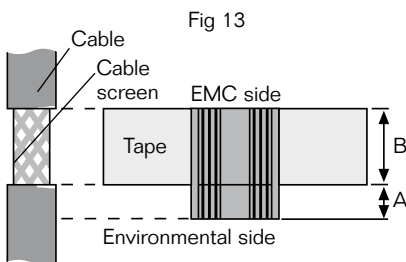
Adapt outer layers to cable. (Fig 13:A)



Adapt inner layers to cable screen. (Fig 13:B)



Test with a cable. Achieve a gap of 0.1-1.0 mm between the module halves. If not, repeat 2a-b. The halves may not differ by more than one layer. Make sure the screen is in good contact with the module.



A= Adapt to cable
B= Adapt to cable screen

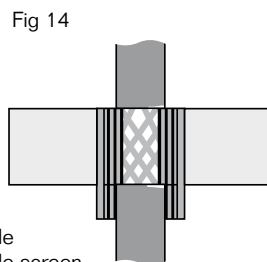
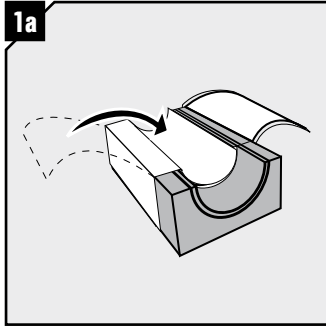


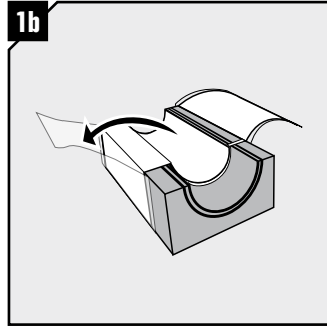
Fig 14

- Minimum accommodation diameter of the module refers to the minimum cable screen diameter.
- Maximum accommodation diameter of the module refers to the maximum cable sheath diameter.

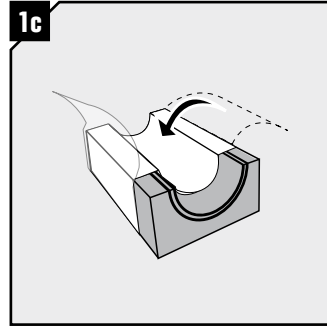
CM ES/PE continued



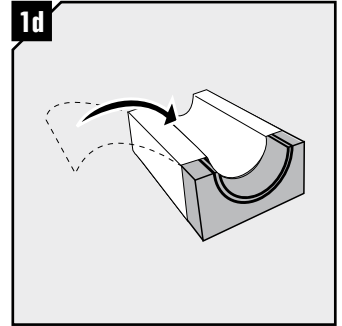
Fold the adhesive tape tightly inside the module half from one side along the inner layers.



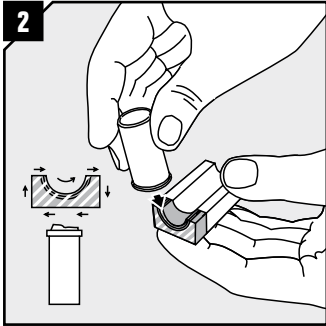
Lift the plastic film from the folded side.



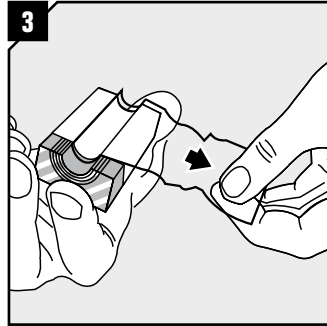
Fold the tape on the other side tightly inside the module half. There must be no air-pockets.



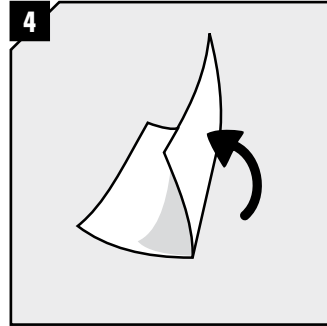
Fold the plastic film back inside the module half.



Lubricate all modules sparsely with Roxtec Lubricant on inside and outside rubber surfaces only. Do not lubricate the film.



Remove the plastic film. Keep the tape clean. **Note:** Plastic must be removed on spares also.

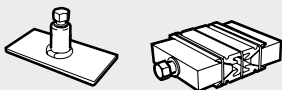


Continue to installation instructions for your frame.

Continue to page 2 for Roxtec CF 8 and CF 32 installation instructions

Installation tools

In order to further simplify installation, we provide tools for pre-compression of the modules in the frame. For more information about Roxtec tools, please visit www.roxtec.com.



**THORNE &
DERRICK
INTERNATIONAL**

Thorne & Derrick
+44 (0) 191 410 4292
www.powerandcables.com

DISCLAIMER

"The Roxtec cable entry sealing system ("the Roxtec system") is a modular-based system of sealing products consisting of different components. Each and every one of the components is necessary for the best performance of the Roxtec system. The Roxtec system has been certified to resist a number of different hazards. Any such certification, and the ability of the Roxtec system to resist such hazards, is dependent on all components that are installed as a part of the Roxtec system. Thus, the certification is not valid and does not apply unless all components installed as part of the Roxtec system are manufactured by or under license from Roxtec ("authorized manufacturer"). Roxtec gives no performance guarantee with respect to the Roxtec system, unless (I) all components installed as part of the Roxtec system are manufactured by an authorized manufacturer and (II) the purchaser is in compliance with (a), and (b), below.

- (a) During storage, the Roxtec system or part thereof, shall be kept indoors in its original packaging at room temperature.
- (b) Installation shall be carried out in accordance with Roxtec installation instructions in effect from time to time.

The product information provided by Roxtec does not release the purchaser of the Roxtec system, or part thereof, from the obligation to independently determine the suitability of the products for the intended process, installation and/or use.

Roxtec gives no guarantee for the Roxtec system or any part thereof and assumes no liability for any loss or damage whatsoever, whether direct, indirect, consequential, loss of profit or otherwise, occurred or caused by the Roxtec systems or installations containing components not manufactured by an authorized manufacturer and/or occurred or caused by the use of the Roxtec system in a manner or for an application other than for which the Roxtec system was designed or intended.

Roxtec expressly excludes any implied warranties of merchantability and fitness for a particular purpose and all other express or implied representations and warranties provided by statute or common law. User determines suitability of the Roxtec system for intended use and assumes all risk and liability in connection therewith. In no event shall Roxtec be liable for indirect, consequential, punitive, special, exemplary or incidental damages or losses."



Roxtec International AB
Box 540, 371 23 Karlskrona, SWEDEN
PHONE +46 455 36 67 00, FAX +46 455 820 12
EMAIL info@roxtec.com, www.roxtec.com