

Roxtec GKO frame

FLEXIBLE SEALING SOLUTION FOR CABLES AND PIPES

The Roxtec GKO is a flanged, bolted together metal frame that is used with Roxtec sealing modules and a compression unit to form an efficient cable and pipe sealing solution. The seal is adaptable to cables and pipes of different sizes. It is certified for fire according to EN 1366-3:2009 and UL1479, and it is tested according to IP 68 (0.3 bar).

Perfect for retrofit

The Roxtec GKO frame is suitable for installation around existing cables and pipes. The frame parts are easily assembled to create different sizes and combinations of openings. The frame extends from the wall, so that it can be bolted over apertures.

BENEFITS

- Adapts to cables and pipes of different sizes
- Easy to install over existing holes and around existing cables or pipes
- Covers multiple or irregular apertures

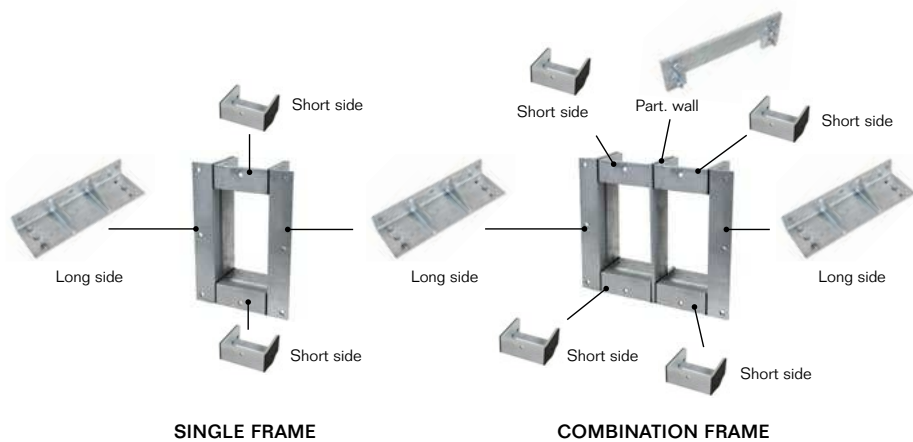
Roxtec GKO frame, galvanized mild steel/stainless steel

Parts	For packing space (mm)	External dimensions (D=100mm)		Weight		Art. no
		H x W (mm)	H x W (in)	(kg)	(lb)	
GALVANIZED MILD STEEL						
GKO Long side size 2 galv*	60 x 120	201 x 50	7.913 x 1.969	1.47	3.241	124521
GKO Long side size 4 galv*	120 x 120	260 x 50	10.236 x 1.969	1.84	4.057	124522
GKO Long side size 6 galv*	180 x 120	318 x 50	12.520 x 1.969	2.4	5.291	124523
GKO Long side size 8 galv*	240 x 120	378 x 50	14.882 x 1.969	2.88	6.349	124524
GKO Mid wall size 2 galv*	60 x 120	201 x 10	7.913 x 0.394	1.4	3.086	124525
GKO Mid wall size 4 galv*	120 x 120	260 x 10	10.236 x 0.394	1.68	3.704	124526
GKO Mid wall size 6 galv*	180 x 120	318 x 10	12.520 x 0.394	1.95	4.299	124527
GKO Mid wall size 8 galv*	240 x 120	378 x 10	14.882 x 0.394	2.23	4.916	124528
GKO Short side galv**	width = 120	120 x 50	4.724 x 1.969	1.15	2.535	124529
STAINLESS STEEL						
GKO Long side size 2 AISI316*	60 x 120	201 x 50	7.913 x 1.969	1.47	3.241	121279
GKO Long side size 4 AISI316*	120 x 120	260 x 50	10.236 x 1.969	1.84	4.057	121284
GKO Long side size 6 AISI316*	180 x 120	318 x 50	12.520 x 1.969	2.4	5.291	121285
GKO Long side size 8 AISI316*	240 x 120	378 x 50	14.882 x 1.969	2.88	6.349	121286
GKO Mid wall size 2 AISI316*	60 x 120	201 x 10	7.913 x 0.394	1.4	3.086	121304
GKO Mid wall size 4 AISI316*	120 x 120	260 x 10	10.236 x 0.394	1.68	3.704	121313
GKO Mid wall size 6 AISI316*	180 x 120	318 x 10	12.520 x 0.394	1.95	4.299	121314
GKO Mid wall size 8 AISI316*	240 x 120	378 x 10	14.882 x 0.394	2.23	4.916	121315
GKO Short side AISI316**	width = 120	120 x 50	4.724 x 1.969	1.15	2.535	121293

* includes fasteners for frame assembly ** includes gaskets for frame assembly

How to build your single or combination frame

For every new opening, you add one partition wall and two short sides.



Thorne & Derrick
 +44 (0) 191 410 4292
www.powerandcables.com