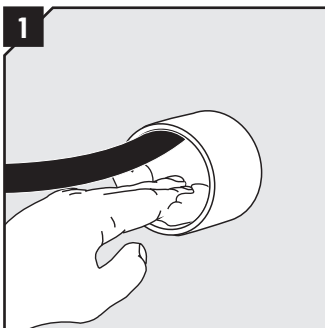
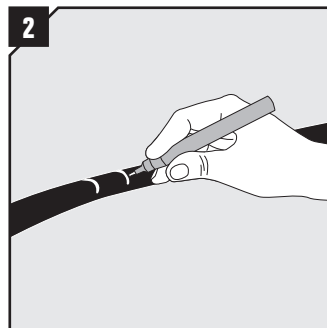




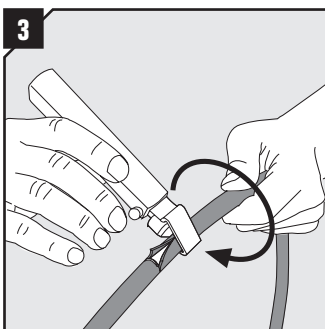
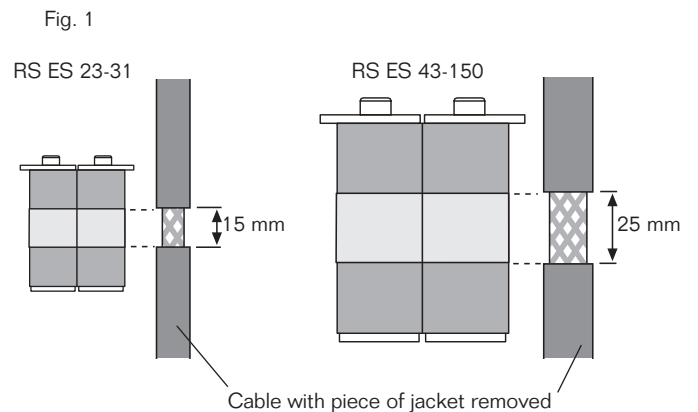
Installation



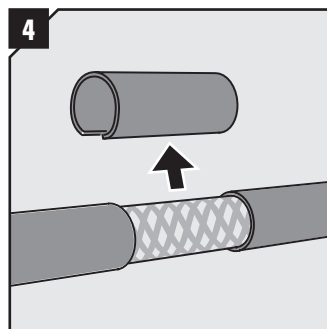
1
Clean the empty sleeve from paint, dirt etc. to secure good electrical conductivity.



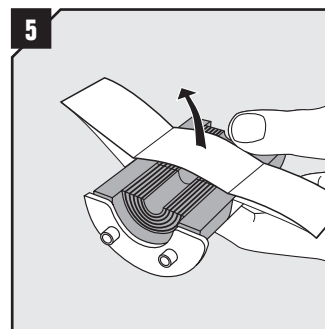
2
On the cable, mark where outer jacket is to be removed. Width depending on seal size. Please see Fig. 1.



3
Cut the outer jacket with a tool of your choice. Make sure not to damage the cable screen.

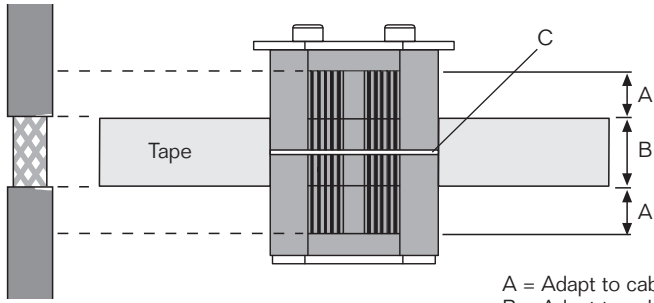


4
Remove the outer jacket and any plastic foil. Make sure cable screen is clean.



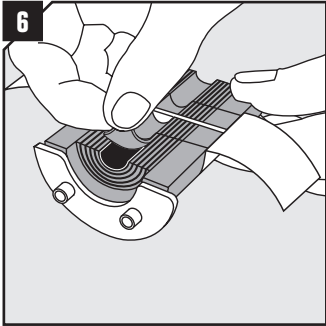
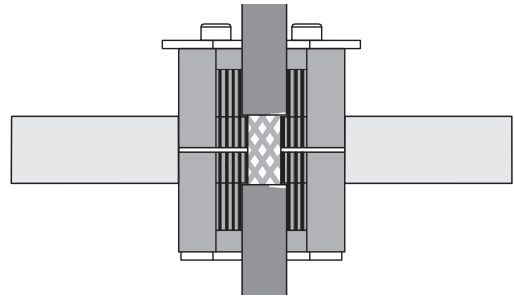
5
Remove the protection paper from the modules and fold back the tape.

Fig. 2

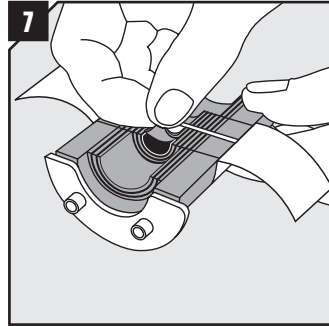


A = Adapt to cable
 B = Adapt to cable screen
 C = Adapt to cable screen

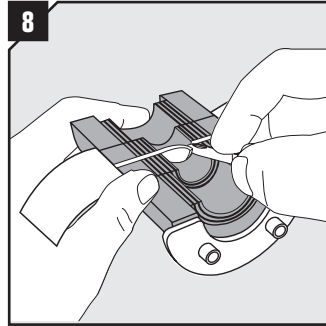
Fig. 3



6 Adapt outer layers to cable. (Fig. 2 pos. A)



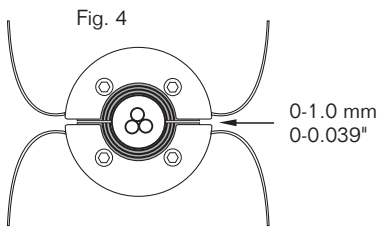
7 Adapt inner layers to cable screen. (Fig. 2 pos. B)



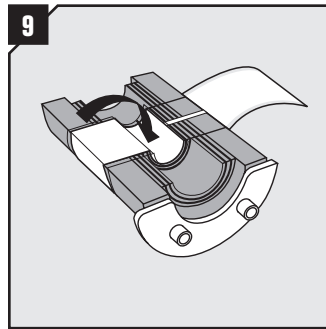
8 Adapt vertical screen to cable screen. (Fig. 2 pos. C)

■ Minimum accommodation diameter of the module refers to the minimum cable screen diameter.

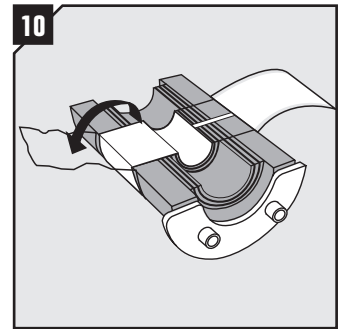
■ Maximum accommodation diameter of the module refers to the maximum cable jacket diameter.



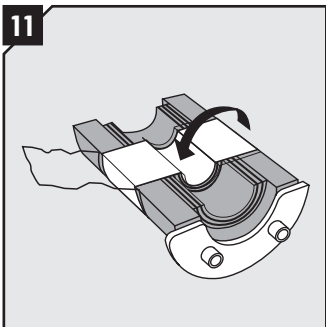
Test with a cable (Fig 4). Achieve a gap of 0-1.0 mm between the seal halves. If not please repeat step 6-8.



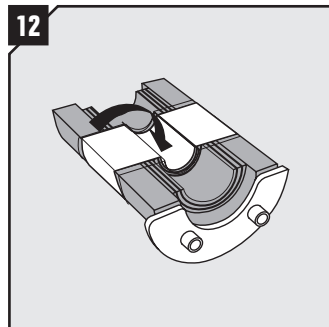
9 Fold the adhesive tape tightly inside the module half from one side along the inner layers.



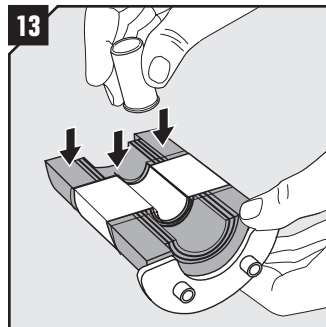
10 Lift the plastic film from the folded side.



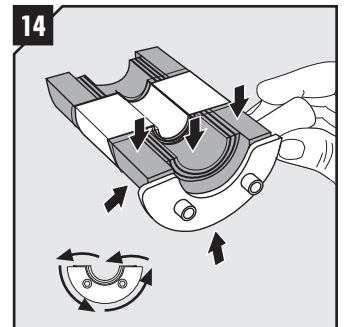
11 Fold the tape on the other side tightly inside the module half. There must be no air-pockets.



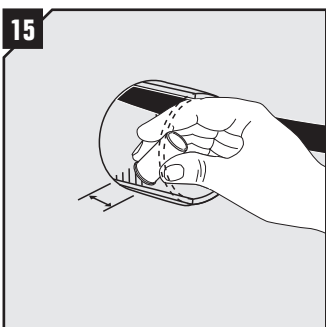
12 Fold the plastic film back inside the module half.



13 Lubricate the inner back rubber area of both halves of the seal sparsely with Roxel Lubricant. Do not lubricate the film or outer back rubber area. Please see Fig. 5.

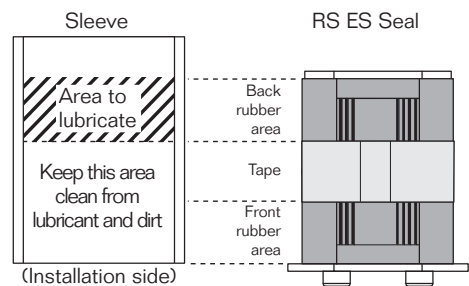


14 Lubricate the front rubber all around the seal. Please see Fig. 5.

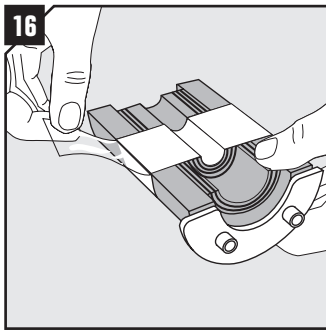


In order to avoid lubricant on the conductive tape, lubricate inside the sleeve only where back rubber area will be located when installed. Please see Fig. 5.

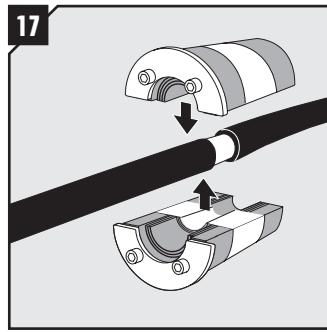
Fig. 5



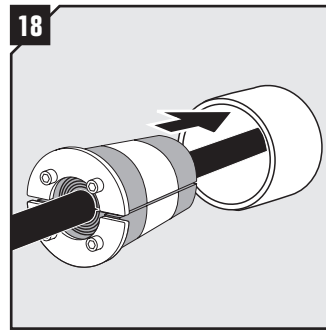
(Installation side)



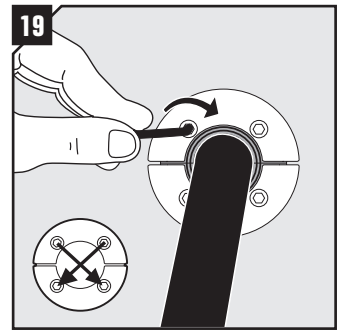
16 Remove the plastic film. Keep the tape clean.



17 Assemble the seal around the cable.



18 Install the complete seal into the sleeve.



19 Tighten the screws crosswise. The seal will compress and seal the transit. Please see Fig. 6 and Fig. 7 how to indicate a tight seal and table for recommended max torque.

Fig. 6

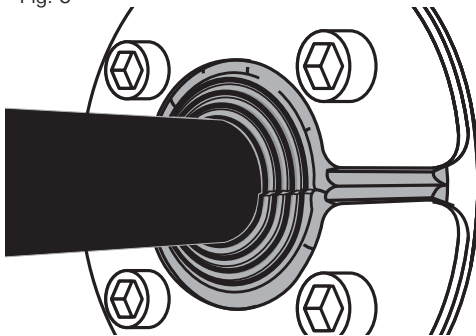
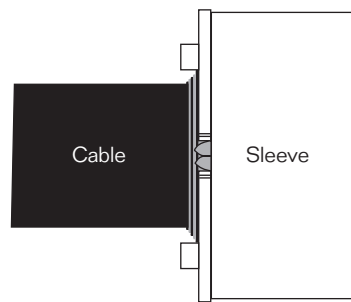


Fig. 7



The seal is compressed when rubber expands over the front fittings and the layers bulge outwards.

Size: RS ES	Approx. torque* (Nm)
25 - 31	1
43 - 100	4
125 - 150	7

* The recommended torque depends on several things, e.g. cable or pipe size, amount of used lubricant, sleeve size or material in the cable sheet, etc.

Disassembly

Reverse order

Note

- For optimum reliability, wait 24 hours or longer after installation before exposing the cables/pipes to strain or pressure.
- Cables shall go straight through the seal.



**THORNE &
DERRICK**
INTERNATIONAL

Thorne & Derrick
+44 (0) 191 410 4292
www.powerandcables.com

DISCLAIMER

"The Roxtec cable entry sealing system ("the Roxtec system") is a modular-based system of sealing products consisting of different components. Each and every one of the components is necessary for the best performance of the Roxtec system. The Roxtec system has been certified to resist a number of different hazards. Any such certification, and the ability of the Roxtec system to resist such hazards, is dependent on all components that are installed as a part of the Roxtec system. Thus, the certification is not valid and does not apply unless all components installed as part of the Roxtec system are manufactured by or under license from Roxtec ("authorized manufacturer"). Roxtec gives no performance guarantee with respect to the Roxtec system, unless (I) all components installed as part of the Roxtec system are manufactured by an authorized manufacturer and (II) the purchaser is in compliance with (a), and (b), below.

(a) During storage, the Roxtec system or part thereof, shall be kept indoors in its original packaging at room temperature.

(b) Installation shall be carried out in accordance with Roxtec installation instructions in effect from time to time.

The product information provided by Roxtec does not release the purchaser of the

Roxtec system, or part thereof, from the obligation to independently determine the suitability of the products for the intended process, installation and/or use. Roxtec gives no guarantee for the Roxtec system or any part thereof and assumes no liability for any loss or damage whatsoever, whether direct, indirect, consequential, loss of profit or otherwise, occurred or caused by the Roxtec systems or installations containing components not manufactured by an authorized manufacturer and/or occurred or caused by the use of the Roxtec system in a manner or for an application other than for which the Roxtec system was designed or intended.

Roxtec expressly excludes any implied warranties of merchantability and fitness for a particular purpose and all other express or implied representations and warranties provided by statute or common law. User determines suitability of the Roxtec system for intended use and assumes all risk and liability in connection therewith. In no event shall Roxtec be liable for indirect, consequential, punitive, special, exemplary or incidental damages or losses."

