



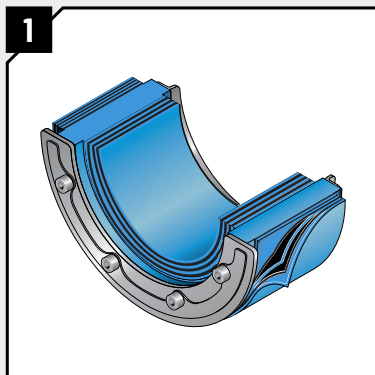
Roxtec RS OMD seal

The Roxtec RS OMD is a round entry seal, consisting of two adaptable halves with removable layers on both the inside and the outside. Compression is integrated in the seal. Allows easy installation around an existing cable.

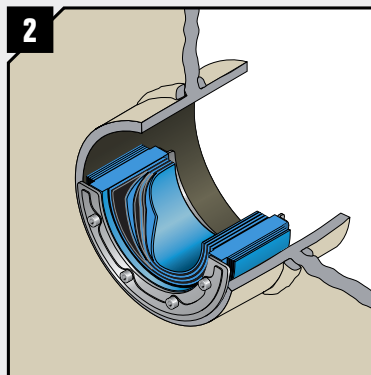
- Attachment by expansion in holes
- Adaptability on the outside to fit round openings of varying sizes
- For one cable

How it works

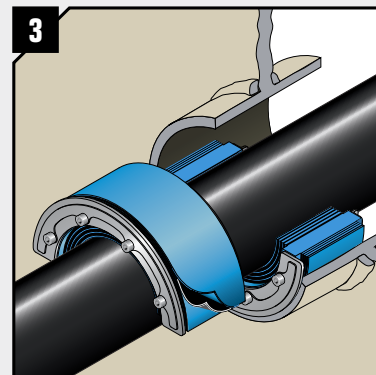
The example shows the features that make it quick and easy to install the RS OMD.



The Roxtec RS OMD has two halves equipped with removable layers on the outside. It can easily be adapted to fit openings of varying sizes and non-standard sleeve sizes.



Each half of the seal is also equipped with removable layers inside in order to be adaptable to cables of different sizes.



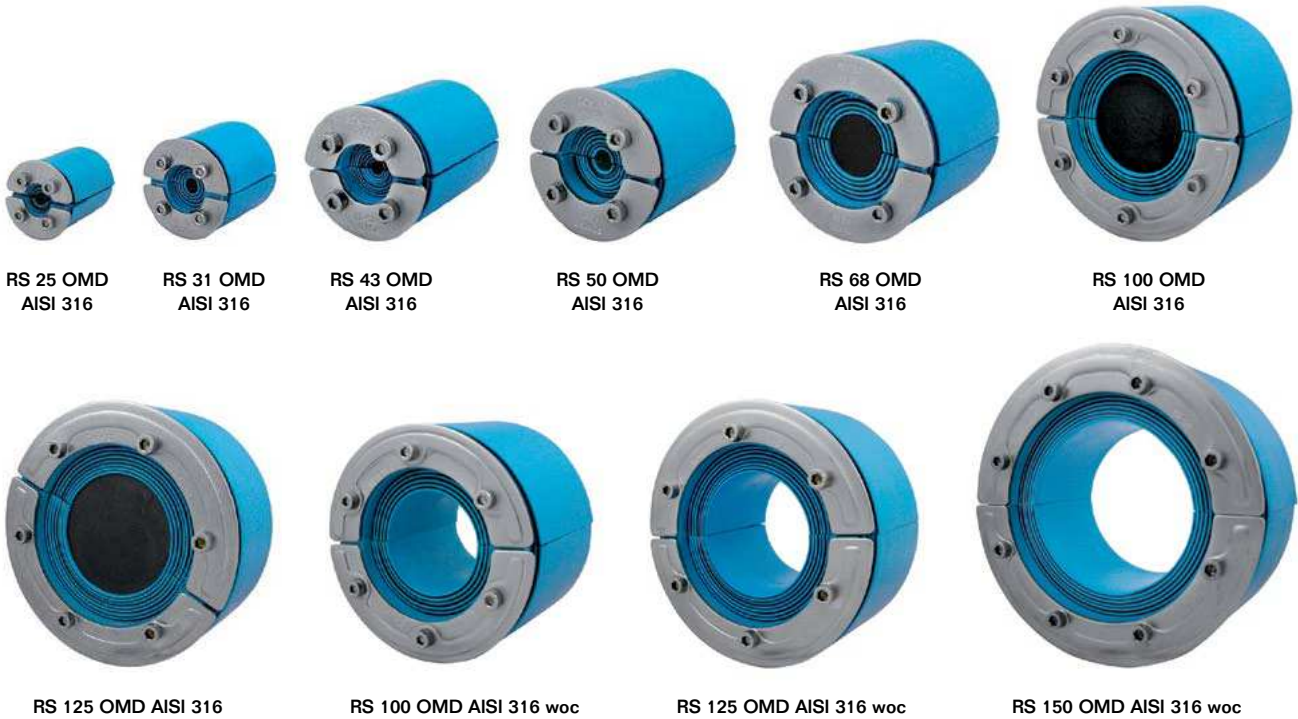
Each half is adapted on the inside and on the outside and the flexible solution is sealed by expansion.



THORNE &
DERRICK
INTERNATIONAL

Thorne & Derrick
+44 (0) 191 410 4292
www.powerandcables.com

RS OMD seal, acid-proof stainless steel fittings



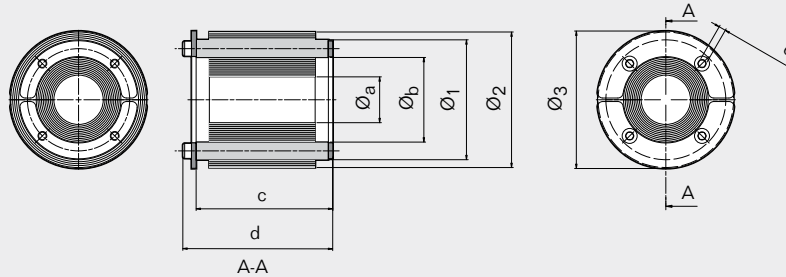
Installation instructions are available on www.roxtec.com

RATINGS Fire: A class Water pressure: 4 bar Gas pressure: 2.5 bar

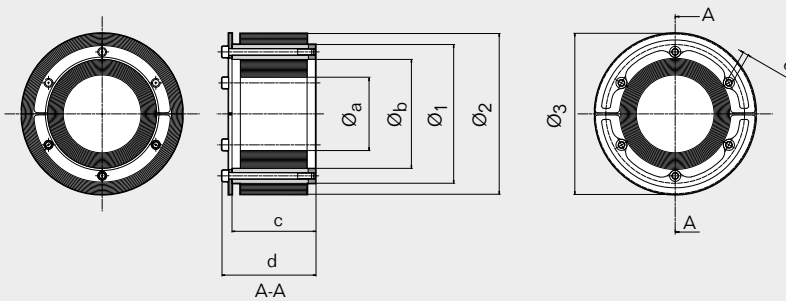
Seal	For cable Ø		For hole Ø		Weight		Art. No
	(mm)	(in)	(mm)	(in)	(kg)	(lb)	
WITH CORE							
RS 25 OMD AISI 316	0+3,6-12	0+0.142-0.472	25-30	0.984-1.181	0.05	0.121	RSO0100251021
RS 31 OMD AISI 316	0+4-17	0+0.157-0.669	31.5-35.5	1.240-1.398	0.06	0.132	RSO0100311021
RS 43 OMD AISI 316	0+4-23	0+0.157-0.906	43.5-51.0	1.713-2.008	0.2	0.441	RSO0100431021
RS 50 OMD AISI 316	0+8-30	0+0.315-1.181	50.5-58.0	1.988-2.283	0.3	0.661	RSO0100501021
RS 68 OMD AISI 316	0+26-48	0+1.024-1.890	69.0-76.5	2.717-3.012	0.5	1.102	RSO0100681021
RS 100 OMD AISI 316	0+48-70	0+1.890-2.756	101.0-108.0	3.976-4.252	1.0	2.205	RSO0101001021
RS 125 OMD AISI 316	0+66-98	0+2.598-3.858	126.0-143.0	4.961-5.630	1.9	4.058	RSO0101251021
WITHOUT CORE							
RS 100 OMD AISI 316 woc	48-70	1.890-2.756	101.0-108.0	3.976-4.252	0.9	1.984	RSO0001001021
RS 125 OMD AISI 316 woc	66-98	2.598-3.858	126.0-143.0	4.96-5.630	1.2	2.756	RSO0001251021
RS 150 OMD AISI 316 woc	93-119	3.661-4.685	151.0-168.0	5.945-6.614	1.6	3.417	RSO0001501021

RS OMD seal, technical information

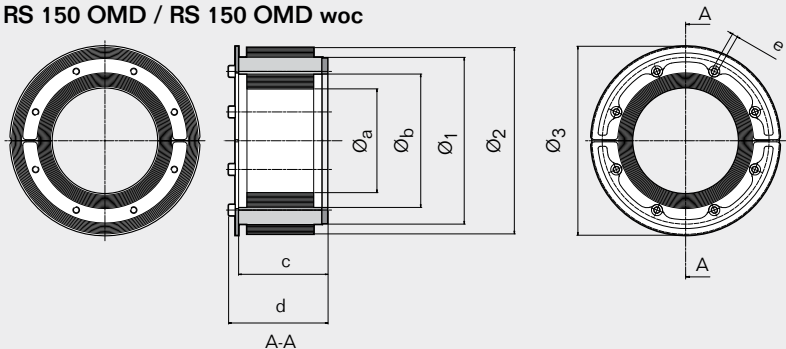
RS 25 OMD / RS 31 OMD / RS 43 OMD / RS 50 OMD / RS 68 OMD



RS 100 OMD / RS 100 OMD woc / RS 125 OMD / RS 125 OMD woc



RS 150 OMD / RS 150 OMD woc



	RS OMD 25		RS OMD 31		RS OMD 43		RS OMD 50		RS OMD 68		RS OMD 100		RS OMD 125		RS OMD 150	
Pos	(mm)	(in)	(mm)	(in)	(mm)	(in)	(mm)	(in)	(mm)	(in)	(mm)	(in)	(mm)	(in)	(mm)	(in)
Ø _a	3.6	0.142	4	0.157	4	0.157	8	0.315	26	1.024	48	1.890	66	2.598	93	3.661
Ø _b	12	0.472	17	0.669	23	0.906	30	1.181	48	1.890	70	2.756	98	3.858	119	4.685
Ø ₁	25	0.984	31	1.220	43	1.693	50	1.969	68	2.677	100	3.937	125	4.921	150	5.906
Ø ₂	30	1.181	36	1.417	51	2.008	58	2.283	76	2.992	108	4.252	143	5.630	168	6.614
Ø ₃	32	1.260	37	1.457	53	2.087	60	2.362	78	3.071	110	4.331	145	5.709	170	6.693
c	38.5	1.516	40	1.575	78	3.071	78	3.071	78	3.071	78	3.071	78	3.071	79	3.110
d	43	1.693	44	1.732	85	3.346	85	3.346	85	3.346	87	3.425	87	3.425	88	3.465
e	*	*	*	*	**	**	**	**	**	**	***	***	****	****	*****	*****

* SW2.5 mm (4x) / SW0.098" (4x)

** SW4 mm (4x) / SW0.157 (4x)

*** SW4 mm (6x) / SW0.157 (6x)

**** SW5 mm (6x) / SW0.197 (6x)

***** SW5 mm (8x) / SW0.197 (8x)

Note: All dimensions are nominal values