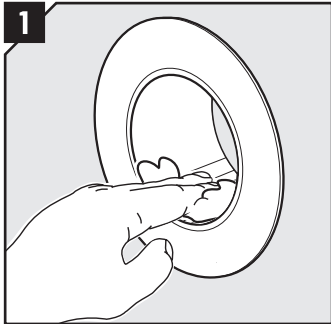
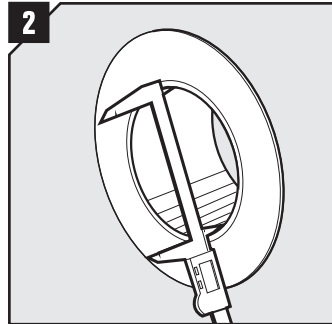




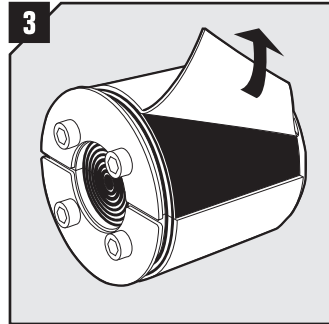
Installation



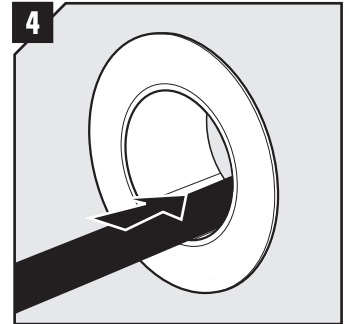
1 Remove any dirt in the sleeve/hole.



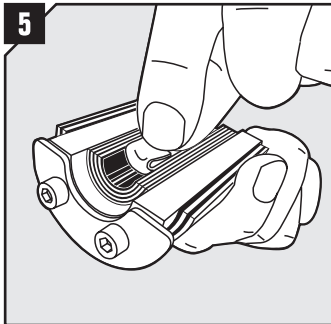
2 Measure the inner diameter of the sleeve/hole.



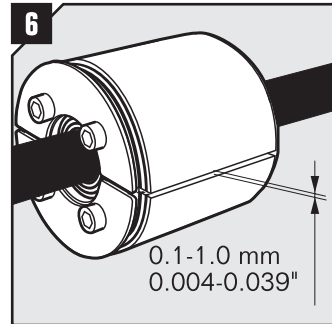
3 Adapt the seal to the sleeve/hole by peeling off layers from the halves until you reach the right outer diameter.



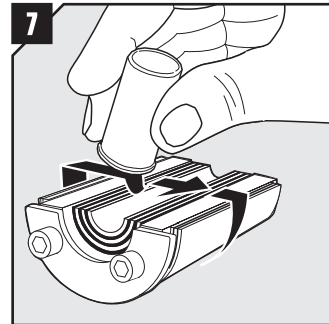
4 Pull the cable/pipe through.



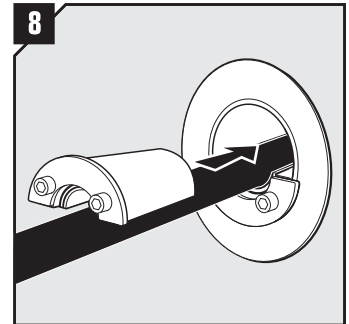
5 Adapt the seal to the cable/pipe by peeling off layers from the halves until you reach the gap seen in pic.6. The halves may not differ by more than one layer.



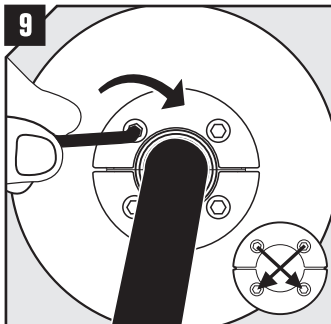
6 Try to achieve a 0.1-1.0 mm gap between the two halves when held against the cable/pipe.



7 Lubricate thoroughly on the inside surfaces and sparsely on the outside of the seal with Roxtec Lubricant.



8 Insert the halves into the sleeve.



9 Tighten the screws crosswise. The seal will compress and seal the transit.

Size: RS OMD	Rec. torque* (Nm)
25 - 31	1
43 - 100	4
125 - 150	7

* The recommended torque depends on several things, e.g. cable or pipe size, amount of used lubricant, sleeve size or material in the cable sheet, etc.

Disassembly

Reverse order

Note

- For optimum reliability, wait 24 hours or longer after installation before exposing the cables/pipes to strain or pressure.
- Cables/pipes shall go straight through the seal.

DISCLAIMER

"The Roxtec cable entry sealing system ("the Roxtec system") is a modular-based system of sealing products consisting of different components. Each and every one of the components is necessary for the best performance of the Roxtec system. The Roxtec system has been certified to resist a number of different hazards. Any such certification, and the ability of the Roxtec system to resist such hazards, is dependent on all components that are installed as a part of the Roxtec system. Thus, the certification is not valid and does not apply unless all components installed as part of the Roxtec system are manufactured by or under license from Roxtec ("authorized manufacturer"). Roxtec gives no performance guarantee with respect to the Roxtec system, unless (i) all components installed as part of the Roxtec system are manufactured by an authorized manufacturer and (ii) the purchaser is in compliance with (a), and (b), below.

(a) During storage, the Roxtec system or part thereof, shall be kept indoors in its original packaging at room temperature.

(b) Installation shall be carried out in accordance with Roxtec installation instructions in effect from time to time.

The product information provided by Roxtec does not release the purchaser of the Roxtec system, or part thereof, from the obligation to independently determine the suitability of the products for the intended process, installation and/or use.

Roxtec gives no guarantee for the Roxtec system or any part thereof and assumes no liability for any loss or damage whatsoever, whether direct, indirect, consequential, loss of profit or otherwise, occurred or caused by the Roxtec systems or installations containing components not manufactured by an authorized manufacturer.

Roxtec expressly excludes any implied warranties of merchantability and fitness for a particular purpose and all other express or implied representations and warranties provided by statute or common law. User determines suitability of the Roxtec system for intended use and assumes all risk and liability in connection therewith. In no event shall Roxtec be liable for consequential, punitive, special, exemplary or incidental damages."

