



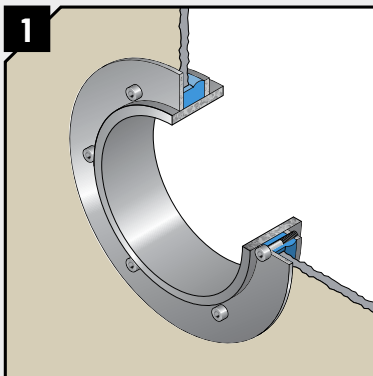
Roxtec R X, RS X seals

The Roxtec R X and RS X solutions are designed for use where welding is not desired. The kit consists of one R or RS seal and one sleeve.

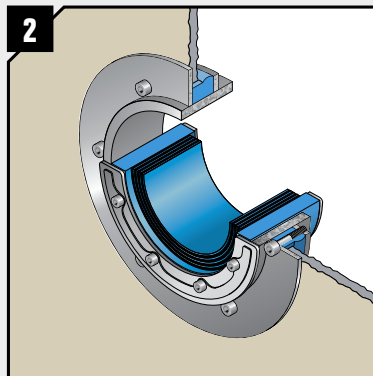
- R X for use with RM modules
- Attachment by expansion
- For one or several cables

How it works

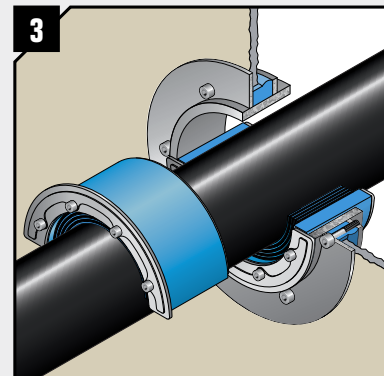
The example shows the features that allow the RS X to be installed in a deck or bulkhead without welding.



1 The Roxtec RS X is attached through expansion. Its rubber compresses and expands towards the inside of the opening to create tightness between the structure and the SLX sleeve (included in the kit).



2 The standard operation of the seal also compresses the rubber against the outside of the cable.



3 Each half of the seal is equipped with removable layers in order to be adaptable to any existing cable.

R X kits, galvanized with galvanized sleeve



R X 100 galv/galv

See information and measurements for R frame on page 65.
See parts needed for a complete solution on page 26.
Installation instructions are available on www.roxtec.com

RATINGS		Fire: A class		Water pressure: 4 bar		Gas pressure: 2.5 bar		
Kit	Packing space (mm)	Aperture dim. ± 1 mm (0.0394")		External dimensions sleeve		Weight sleeve		Art. No
		\varnothing (mm)	\varnothing (in)	$\varnothing \times D$ (mm)	$\varnothing \times D$ (in)	(kg)	(lb)	
R X 100 galv/galv	60 x 60	146	5.748	155 x 55	6.102 x 2.165	2.2	4.850	RXG0001001018
R X 125 galv/galv	80 x 80	171	6.732	180 x 55	7.087 x 2.165	2.8	6.173	RXG0001251018
R X 150 galv/galv	90 x 90	200	7.874	209 x 55	8.228 x 2.165	3.5	7.716	RXG0001501018
R X 200 galv/galv	120 x 120	251	9.882	260 x 55	10.236 x 2.165	4.6	10.141	RXG0002001018

R X kits acid-proof stainless steel with galvanized sleeve



R X 100 AISI 316/galv

See information and measurements for R frame on page 65.
See parts needed for a complete solution on page 26.
Installation instructions are available on www.roxtec.com

RATINGS		Fire: A class		Water pressure: 4 bar		Gas pressure: 2.5 bar		
Kit	Packing space (mm)	Aperture dim. ± 1 mm (0.0394")		External dimensions sleeve		Weight sleeve		Art. No
		\varnothing (mm)	\varnothing (in)	$\varnothing \times D$ (mm)	$\varnothing \times D$ (in)	(kg)	(lb)	
R X 75 AISI 316/galv	40 x 40	116	4.567	125 x 55	4.921 x 2.165	1.6	3.527	RXG0000751021
R X 100 AISI 316/galv	60 x 60	146	5.748	155 x 55	6.102 x 2.165	2.2	4.850	RXG0001001021
R X 125 AISI 316/galv	80 x 80	171	6.732	180 x 55	7.087 x 2.165	2.8	6.173	RXG0001251021
R X 150 AISI 316/galv	90 x 90	200	7.874	209 x 55	8.228 x 2.165	3.5	7.716	RXG0001501021
R X 200 AISI 316/galv	120 x 120	251	9.882	260 x 55	10.236 x 2.165	4.6	10.141	RXG0002001021

RS X kits, acid-proof stainless steel with galvanized sleeve



RS X 100 AISI 316/galv



RS X 100 AISI 316 woc/galv

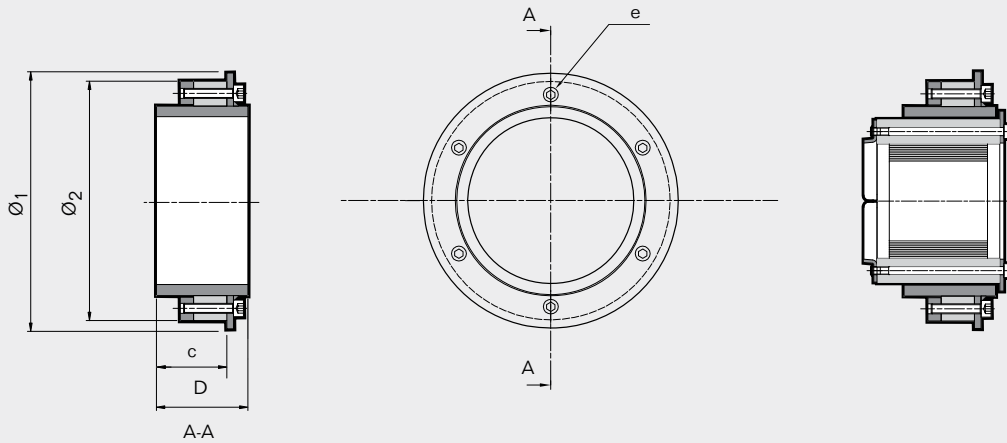
See information and measurements for RS seal on page 71.

Installation instructions are available on www.roxtec.com

RATINGS Fire: A class Water pressure: 4 bar Gas pressure: 2.5 bar

Kit	For cable Ø		Aperture dim. ± 1 mm (0.0394")		External dimensions sleeve		Weight		Art. No
	(mm)	(in)	Ø (mm)	Ø (in)	ØxD (mm)	ØxD (in)	(kg)	(lb)	
WITH CORE									
RS X 43 AISI 316/galv	0+4-23	0+0.157-0.906	83	3.268	92 x 65	3.622 x 2.559	0.8	1.764	RSXG100431021
RS X 50 AISI 316/galv	0+8-30	0+0.315-1.181	91	3.583	100 x 65	3.937 x 2.559	1.2	2.646	RSXG100501021
RS X 75 AISI 316/galv	0+24-54	0+0.945-2.126	116	4.567	125 x 65	4.921 x 2.559	1.6	3.527	RSXG100751021
RS X 100 AISI 316/galv	0+48-70	0+1.890-2.756	146	5.748	155 x 65	6.102 x 2.559	2.2	4.850	RSXG101001021
RS X 125 AISI 316/galv	0+66-98	0+2.598-3.858	171	6.732	180 x 65	7.087 x 2.559	2.8	6.173	RSXG101251021
WITHOUT CORE									
RS X 100 AISI 316 woc/galv	48-70	1.890-2.756	146	5.748	155 x 65	6.102 x 2.559	2.2	4.850	RSXG001001021
RS X 125 AISI 316 woc/galv	66-98	2.598-3.858	171	6.732	180 x 65	7.087 x 2.559	2.8	6.173	RSXG001251021
RS X 150 AISI 316 woc/galv	93-119	3.661-4.685	200	7.874	209 x 65	8.228 x 2.559	3.5	7.716	RSXG001501021
RS X 175 AISI 316 woc/galv	119-145	4.685-5.709	221	8.701	230 x 65	9.055 x 2.559	5.03	11.089	RSXG001751021
RS X 200 AISI 316 woc/galv	138-170	5.433-6.693	251	9.882	260 x 65	10.236 x 2.559	6.55	14.440	RSXG002001021

R X, RS X kits, technical information



	R X 75		R X 100		R X 125		R X 150		R X 200	
Pos	(mm)	(in)	(mm)	(in)	(mm)	(in)	(mm)	(in)	(mm)	(in)
Ø ₁	125	4.921	155	6.102	180	7.087	209	8.228	260	10.236
Ø ₂	115	4.528	145	5.709	170	6.693	199	7.835	250	9.843
c	43	1.693	43	1.693	43	1.693	43	1.693	43	1.693
D	55	2.165	55	2.165	55	2.165	55	2.165	55	2.165
e	*	*	**	**	**	**	**	**	***	***

* SW 5 mm (4x) / SW 0.197" (4x) ** SW 5 mm (6x) / SW 0.197" (6x) *** SW 5 mm (8x) / SW 0.197" (8x)

	RS X 43		RS X 50		RS X 75		RS X 100 (woc)		RS X 125 (woc)	
Pos	(mm)	(in)	(mm)	(in)	(mm)	(in)	(mm)	(in)	(mm)	(in)
Ø ₁	92	3.622	100	3.937	125	4.921	155	6.102	180	7.087
Ø ₂	82	3.228	90	3.543	115	4.527	145	5.709	170	6.693
c	53	2.087	53	2.087	53	2.087	53	2.087	53	2.087
D	65	2.559	65	2.559	65	2.559	65	2.559	65	2.559
e	****	****	****	****	*****	*****	*****	*****	*****	*****

**** SW 4 mm (4x) / SW 0.157" (4x) ***** SW 5 mm (6x) / SW 0.197" (6x)

	RS X 150 (woc)		RS X 175 (woc)		RS X 200 (woc)	
Pos	(mm)	(in)	(mm)	(in)	(mm)	(in)
Ø ₁	209	8.228	230	9.055	260	10.236
Ø ₂	199	7.835	220	8.661	250	9.843
c	53	2.087	53	2.087	53	2.087
D	65	2.559	65	2.559	65	2.559
e	*****	*****	*****	*****	*****	*****

***** SW 5 mm (6x) / SW 0.197" (6x)

Note: All dimensions are nominal values



**THORNE &
DERRICK
INTERNATIONAL**

Thorne & Derrick
+44 (0) 191 410 4292
www.powerandcables.com