

EDITION 2



THORNE &
DERRICK
INTERNATIONAL

Thorne & Derrick

+44 (0) 191 410 4292

www.powerandcables.com

RAIL PRODUCTS

SPECIFIERS GUIDE



Anderton

MISSION STATEMENT



Anderton Concrete Products Ltd Mission Statement

- Exceeding customer expectations by always being first to market with the best products.
- Partnering with our customers to make sure they succeed.
- Demanding that everything we do leads to a cleaner, healthier, safer environment.
- To promote good safe working practices within our industry.
- To raise the profile of concrete product manufacturing as a skilled industry.
- To liaise with the Health & Safety Executive and other bodies, including suppliers.
- Committed to ensuring customer satisfaction by continually improving performance in the development of products, quality, technique and service.
- To satisfy this commitment all employees must understand the importance and responsibilities of quality in their work, and utilise only those approved working practices which will assure the required quality standards are achieved.



Certified by BSI – FM 559191

THE ENVIRONMENT

ANDERTON CONCRETE PRODUCTS LTD operates in an environmentally responsible manner. The resources and processes that we have put in place are focused on achieving industry best practice standards at all of our locations.



Our environmental policy, applied throughout the company, is to:

- Comply, at a minimum, with all applicable environmental legislation and continually improve our environmental stewardship towards industry best practice
- Adhere to ISO14001 policy directives as part of our accreditation
- Ensure that our employees and contractors respect their environmental responsibilities
- Proactively address the challenges of climate change
- Optimise our use of energy and resources through efficiency gains and recycling
- Promote environmentally-driven product innovation and new business opportunities
- Be good neighbours in the many communities in which we operate.

Environmental Management

Achieving our environmental policy objectives at all our locations is a management imperative; this responsibility continues right up to the Anderton Concrete Products Ltd Board level.

Daily responsibility for ensuring that the Company's environmental policy is effectively implemented lies with individual location managers.

These personnel are charged with ensuring that company environmental policies are properly adhered to, and that site managers are fully aware of their responsibilities in this regard.

Index

Anderton Concrete manufactures the full C/I range of troughing products including Tee Pieces, Transitions and Curves, designed to comply with Network Rail standards and as such, has full Network Rail Approval status, Certificate No. PA05/00318 and Link-Up accreditation.

Anderton Concrete offers the widest range of complimentary precast products into the UK Rail Industry, including Drainage Catchpits, Signal Bases, Point Rod Rollers, Ballast Boards, Posts, Postmix and much, much more, all used extensively throughout the rail infrastructure.

Anderton Concrete holds significantly high levels of stock and is allied to a nationwide distribution network ensuring fast, on time deliveries.

Based on a solid reputation for delivering quality products and providing a first class service, Anderton Concrete is committed to continued product and process development ensuring that all customers receive complete satisfaction.

Anderton Concrete is the natural choice for the contractor

Rail Products

Anderlite	6 - 9
Anderlite 500™ - 500mm length units	10 - 11
Ander-fin	12 - 14
Ander-clip	15 - 17
Trough Straight	18 - 19
Lid Straight	20 - 21
Trough Tee	22 - 23
Lid Tee	24 - 25
Trough Curved	26 - 27
Lid Curved	28 - 29
Trough Transition	30
Lid Transition	31

Complementary Products

Ballast Boards	32 - 33
King Boards	34 - 35
Standard Catchpits	36 - 39
Matisa Catchpits	40 - 43
Large Apparatus Case Base	44 - 45
Small Apparatus Case Base	46 - 47
Corner Units	48
Filler Blocks	49
Point Rod Rollers	50
Miscellaneous Rail Products	51 - 53
Station Platform Materials	54 - 55
London Underground Products	56 - 57
Health and Safety Policy	58

Contact Details	59
-----------------	----

ANDERLITE

UP TO 30% WEIGHT REDUCTION OVER TRADITIONAL ROUTE SYSTEMS

The **Anderlite Troughing System** is a lightweight cable route system which combines the strengths and benefits of traditional methods, plus a reduction in weight of up to 30%. This lightweight advantage is both user friendly and cost effective.



The Anderlite range of products have an identical profile to the current C/1 troughing range, thus a transition from system to system is seamless and requires no alteration to traditional lineside infrastructure equipment or practices.

The Anderlite Cable Route Troughing System is the most cost effective lightweight system to procure in the UK, and is up to 50% cheaper than alternative lightweight systems currently on the market. Once procured the Anderlite System provides savings in on-site labour costs and offers a speedier installation process.

Anderlite reduces the risk of manual handling concerns and minimises labour requirements. Also the general reduction in the weight of the product reduces transport costs by up to 20%, lessening the carbon footprint for all industry partners and providing cost savings over traditional systems. The unique cementitious mix design utilises up to 35% of recycled materials which reduces the environmental impact of the product.



Network Rail Approved	✓	Compatible with existing systems	✓
Environmentally friendly	✓	Complete range of C/1 sizes	✓
Up to 30% lighter than traditional systems	✓	Unique mix design	✓
Reduces manual handling concerns	✓	Reduces transport costs by up to 20%	✓
Cementitious based	✓	Optional cable theft deterrent system	✓
Cost effective in purchase	✓	Fire resistant	✓
Cost effective in installation	✓	Weather resistant	✓
Tried and tested	✓	Sulphur resistant	✓
Strong, robust, durable	✓	Anti-static	✓
Long lasting stable installation	✓	Whole life costing solution	✓

ANDERLITE™

Anderlite retains sufficient mass to ensure that once lineside it provides a stable installation that is free from future movement, 'snaking' or disruption brought about from train movement, severe weather conditions or ground movement.

The system also offers the optional benefit of being able to protect cables against theft when used in conjunction with the Anderton Route Security System.

NETWORK RAIL APPROVED



REDUCES
TRANSPORTATION
COSTS BY UP TO 20%

Other inherent qualities of the Anderlite system are its resistance from sulphur attack in certain ground conditions and its excellent resistance qualities against fire and weather. It is also anti-static whilst having no detrimental impact on other lineside infrastructure equipment.



ANDERLITE TROUGH

Standard Straight	Internal Dimensions		External Dimensions	
	Width	Depth	Width	Depth
C/1/6TRW	100	90	190	130
C/1/7TRW	130	130	220	170
C/1/8TRW	150	200	250	240
C/1/9TRW	190	130	280	170
C/1/10TRW	250	130	340	170
C/1/29TRW	350	130	440	170
C/1/43TRW	350	300	440	340

Standard Straight	PADS No	Weight	No. per Tonne	Pallet Qty
C/1/6TRW	0004/131417	24	41	36
C/1/7TRW	0004/131419	32	31	30
C/1/8TRW	0004/131421	45	22	12
C/1/9TRW	0004/131423	36	27	24
C/1/10TRW	0004/131425	40	25	18
C/1/29TRW	0004/131427	46	21	14
C/1/43TRW	0004/131428	75	13	9

ANDERLITE LID

Standard Lid	Internal Dimensions of Trough		External Dimensions of Lid	
	Width	Depth	Length	Width
C/1/6LRW	100	90	1000	190
C/1/7LRW	130	130	1000	220
C/1/8LRW	150	200	1000	250
C/1/9LRW	190	130	1000	280
C/1/10LRW	250	130	1000	340
C/1/29LRW	350	130	1000	440

• Please note once the lid is fitted the internal capacity of the trough will be reduced.

Standard Lid	PADS No	Weight	No. per Tonne	Pallet Qty
C/1/6LRW	0004/131418	16	62	60
C/1/7LRW	0004/131420	20	50	50
C/1/8LRW	0004/131422	22	45	50
C/1/9LRW	0004/131424	25	40	48
C/1/10LRW	0004/131426	31	32	36
C/1/29LRW	0004/131429	46	21	24

ANDERLITE 500™

Making **lite** work

A versatile new length
in the Anderlite™
Troughing Range

C/1/9 TROUGH	18kg
C/1/9 LID	11kg
COMBINED	29kg



Our new lightweight 500mm troughing system is:

1. Lightweight, easy to handle
2. Proven technology
3. Up to 50% cheaper than unproven alternatives
4. Utilises 35% re-cycled materials
5. Reduces transport costs by up to 20%
6. Completely compatible with all existing systems
7. Network Rail approved



ANDERLITE

500mm Trough	PADS No	Weight	No. per Tonne	Pallet Qty
C/1/8TRW/H	0004/131436	23	43	24
C/1/9TRW/H	0004/131438	18	55	48
C/1/10TRW/H	0004/131440	20	50	36
C/1/29TRW/H	0004/131442	23	43	28
C/1/43TRW/H	0004/131443	38	26	18

ANDERLITE

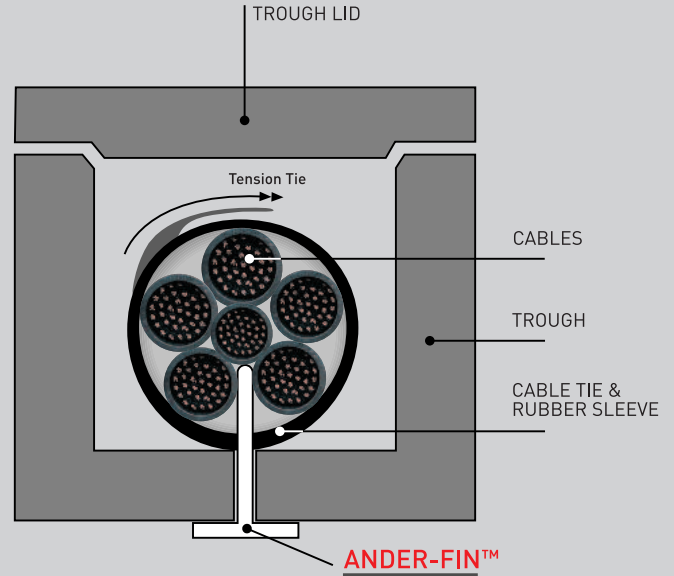
500mm Lid	PADS No	Weight	No. per Tonne	Pallet Qty
C/1/8LRW/H	0004/131437	9.5	105	100
C/1/9LRW/H	0004/131439	11	90	96
C/1/10LRW/H	0004/131441	13	77	72
C/1/29LRW/H	0004/131444	21.5	46	48

ANDER-FIN™



A pioneering cable
theft deterrent.

(Patent Pending)

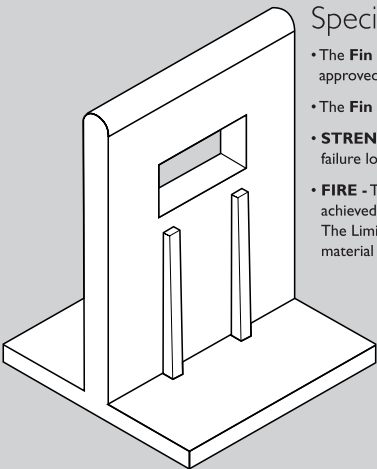


Usage

1. Ander-fin is inserted into Anderton trough from below
2. A network rail approved cable tie with rubber sleeve is threaded through the Ander-fin™
3. The cables are bundled
4. The cable tie is tensioned and secured

ANDER-FIN™

- Cable theft costs the rail industry tens of millions of pounds each year.
- Cable theft causes delays and safety hazards.
- **Ander-fin** helps to prevent cable theft.
- **Ander-fin** enables cables to be secured and tied every metre.
- **Ander-fin** secures long lengths of cable.
- **Ander-fin** is used in conjunction with Anderton cable troughs.
- **Ander-fin** patent pending.



Specification

- The **Fin** is compatible with a range of Network Rail approved clips and sleeves.
- The **Fin** is manufactured from glass filled nylon.
- **STRENGTH** - depending on orientation the **Fin** has a failure load of in excess of 2kN.
- **FIRE** - The **Fin** material has been tested to UL 94 and achieved V5A rating. The Limiting Oxygen Limit (LOI) is 32.5 and the material contains no Halogen.

ANDER-CLIP™



A pioneering cable
theft deterrent.

[Patent Pending]

ANDER-CLIP™



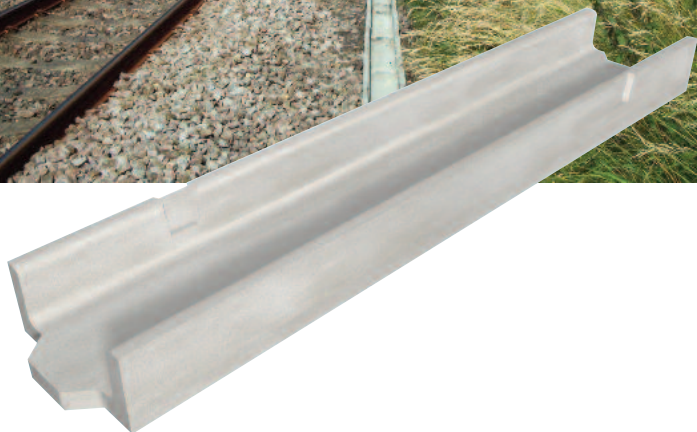
The simple route to secure cabling

1. Each of the two clips are attached to the trough wall in parallel using a hide or soft faced hammer:
2. The lid is fitted to the trough and the band strap is placed over the lid and simply attached to the clips either side. Again a soft faced hammer is used to secure the band into the clips.
3. The teeth on the legs of the strap engage into the clip mechanism holding it securely so the lid cannot be easily removed.

(For access, the locking mechanism can be simply disengaged at the drilled points using circlip pliers.)

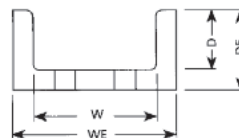
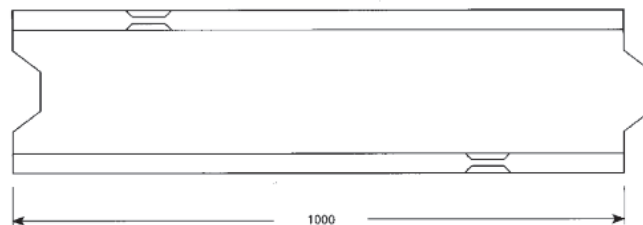
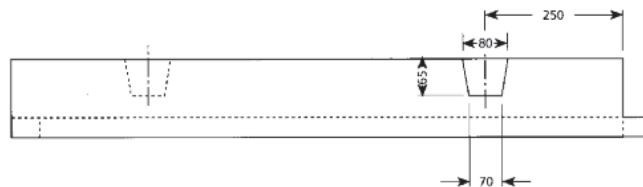
ANDERCLIP	Weight	No. per Tonne	Pallet Qty
C/1/6 Clip	1	1000	25
C/1/7 Clip	1	1000	25
C/1/8 Clip	1	1000	25
C/1/9 Clip	1	1000	25
C/1/10 Clip	1	1000	25
C/1/29 Clip	1	1000	25

TROUGH STRAIGHT



Size of Trough

Standard Straight	Internal Dimensions		External Dimensions	
	Width W	Depth D	Width WE	Depth DE
C/1/6T	100	90	190	130
C/1/7T	130	130	220	170
C/1/8T	150	200	250	240
C/1/9T	190	130	280	170
C/1/10T	250	130	340	170
C/1/29T	350	130	440	170
C/1/43T	350	300	440	340



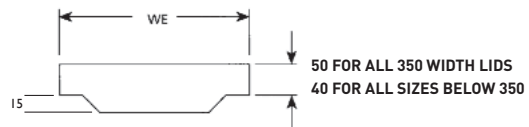
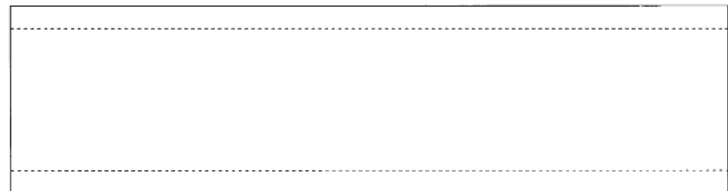
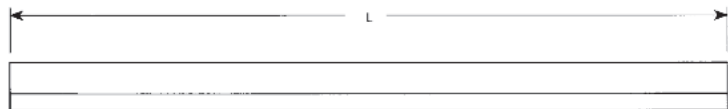
Standard Straight	PADS No	Weight (kg)	No. per Tonne	Pallet Qty
C/1/6T	0004/105351	35	28	36
C/1/7T	0004/105353	48	21	30
C/1/8T	0004/105355	69	14	12
C/1/9T	0004/105357	52	19	24
C/1/10T	0004/105359	60	16	18
C/1/29T	0004/105361	70	14	14
C/1/43T	0004/105363	115	9	9

- Standard Troughs and Lids are for pedestrian traffic only.
- Please note once the lid is fitted the internal capacity of the trough will be reduced.

LID STRAIGHT



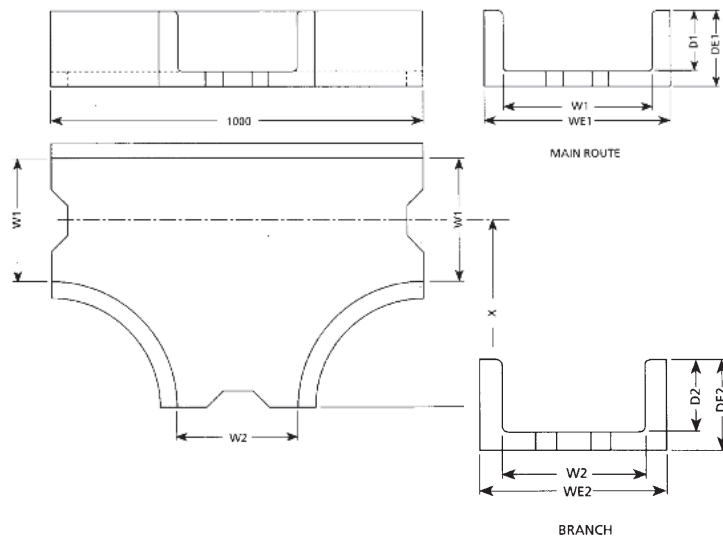
Standard Lid	Size of trough Internal Dimensions	Lid External Length L	Dimensions Width WE
C/1/6L	100 x 90	1000	19
C/1/7L	130 x 130	1000	220
C/1/8L	150 x 200	1000	250
C/1/9L	190 x 130	1000	280
C/1/10L	250 x 130	1000	34
C/1/29L	350 x 130	1000	440



Standard Lid	PADS No	Weight	No. per Tonne	Pallet Qty
C/1/6L	0004/105282	23	26	60
C/1/7L	0004/105285	28	35	50
C/1/8L	0004/105288	32	31	50
C/1/9L	0004/105291	37	27	48
C/1/10L	0004/105294	43	23	36
C/1/29L	0004/105297	72	13	24

- Standard Troughs and Lids are for pedestrian traffic only.
- Please note once the lid is fitted the internal capacity of the trough will be reduced.

TROUGH TEE



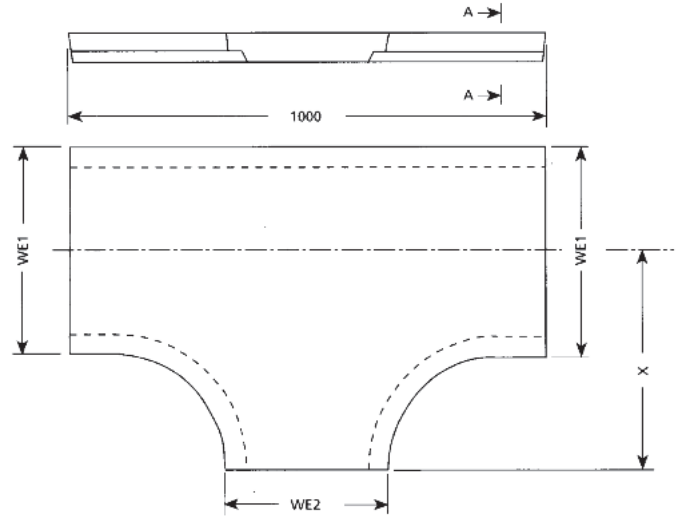
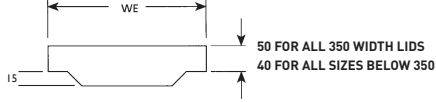
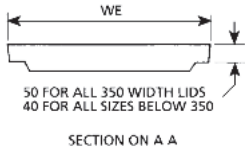
Size of Trough

Product		Main Route		Branch		
Description	To Suit	Width W1	Depth D1	Width W2	Depth D2	(x)
C/1/41TTRW	C.1.6	100	90	100	90	450
C/1/39TTRW	C.1.7	130	130	130	130	450
C/1/23TTRW	C.1.8	150	200	150	200	500
C/1/37TTRW	C.1.9	190	130	190	130	450
C/1/34TTRW	C.1.10	250	130	250	130	450
C/1/80TTRW	C.1.29	350	130	350	130	450
C/1/81TTRW	C.1.43	350	300	350	300	450
C/1/42TTRW	C.1.29	350	130	150	200	450
	with C1.8 Branch					
C/1/32TTRW	C.1.29	350	130	250	130	450
	with C1.10 Branch					

Tee Pieces	PADS No	Weight	No. per Tonne	Pallet Qty
C/1/41TTRW	0004/131466	33	30	10
C/1/39TTRW	0004/131464	45	22	10
C/1/23TTRW	0004/131456	64	15	8
C/1/37TTRW	0004/131462	44	22	10
C/1/34TTRW	0004/131460	47	21	10
C/1/80TTRW	0004/131468	55	18	10
C/1/81TTRW	0004/131486	91	11	2
C/1/42TTRW		112	9	8
C/1/32TTRW	0004/131458	53	18	10

- Standard Troughs and Lids are for pedestrian traffic only.
- Please note once the lid is fitted the internal capacity of the trough will be reduced.

LID TEE

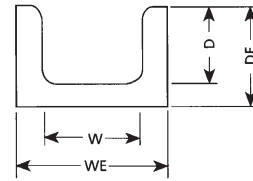
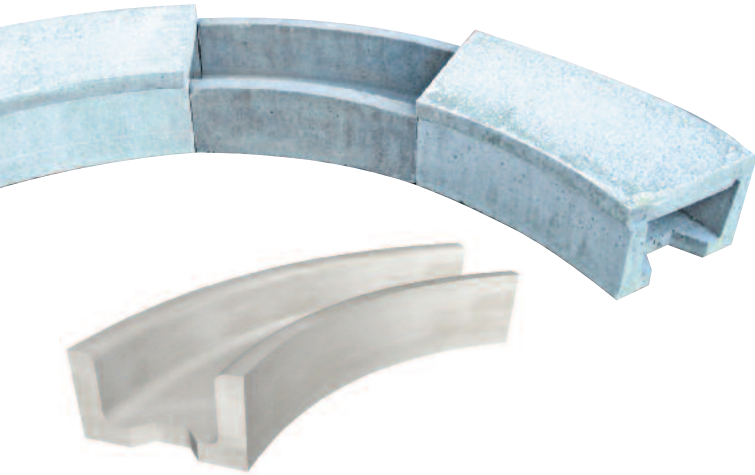


Tee Pieces	To Suit	PADS No	Weight	No. per Tonne	Pallet Qty
C/1/41LTRW	C/1/6T	0004/131467	25	40	20
C/1/39LTRW	C/1/7T	0004/131465	28	35	20
C/1/23LTRW	C/1/8T	0004/131457	35	28	16
C/1/37LTRW	C/1/9T	0004/131463	33	30	20
C/1/34LTRW	C/1/10T	0004/131461	39	25	20
C/1/80LTRW	C/1/29T	0004/131469	51	19	20
C/1/81LTRW	C/1/43T	0004/131469	50	20	5
C/1/42LTRW	C/1/29T with 1.8 Branch	30	33	16	
C/1/32LTRW	C/1/29T with 1.10 Branch	0004/131459	57	17	20

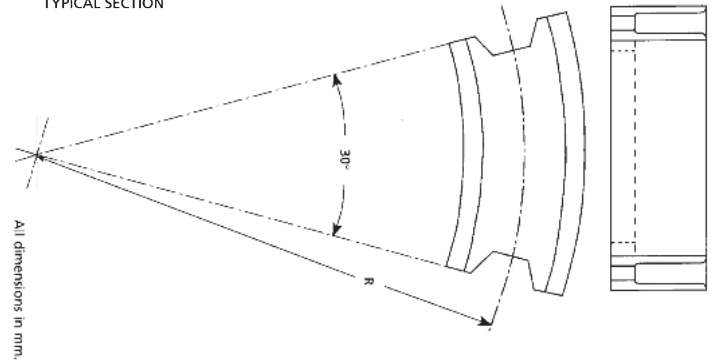
BRB Cat/No	Size of Trough				(x)
	Main route Internal Dimensions	Branch Internal dimensions	Width WE1	Width WE2	
C/1/41LTRW	100 x 90	100 x 90	190	190	450
C/1/39LTRW	130 x 130	130 x 130	220	220	450
C/1/23LTRW	150 x 200	150 x 200	250	250	500
C/1/37LTRW	190 x 130	190 x 130	280	280	450
C/1/34LTRW	250 x 130	250 x 130	340	340	450
C/1/80LTRW	350 x 130	350 x 130	440	440	450
C/1/81LTRW	350 x 300	350 x 300	440	440	450
C/1/42LTRW	350 x 130	150 x 200	440	250	450
C/1/32LTRW	350 x 130	250 x 130	440	340	450

- Standard Troughs and Lids are for pedestrian traffic only.
- Please note once the lid is fitted the internal capacity of the trough will be reduced.

TROUGH CURVED



TYPICAL SECTION

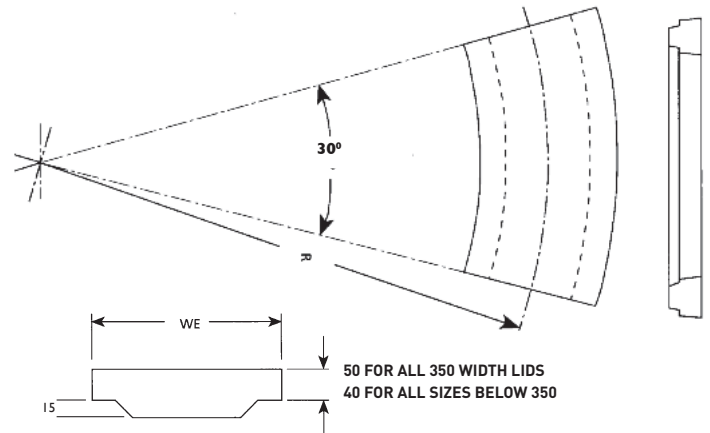


CURVES	PADS No	To Suit	No. per Tonne	Pallet Qty
C/1/16TCRW	0004/131491	C/1/16	52	24
C/1/11TCRW		C/1/16	63	10
C/1/17TCRW	0004/131493	C/1/17	62	24
C/1/12TCRW		C/1/17	33	48
C/1/18TCRW	0004/131495	C/1/18	34	24
C/1/13TCRW		C/1/18	23	10
C/1/19TCRW	0004/131470	C/1/19	55	40
C/1/14TCRW	0004/131487	C/1/19	35	48
C/1/15TCRW	0004/131489	C/1/10	27	10
C/1/20TCRW	0004/131472	C/1/10	47	36
C/1/30TCRW	0004/131497	C/1/29	43	10
C/1/31TCRW	0004/131499	C/1/29	22	10
C/1/82TCRW	0004/131503	C/1/43	16	10

Internal Dimensions			External Dimensions		
Width W	Depth D	Radius R	Width	WE Depth DE	Weight (kg)
100	90	1000	190	130	19
100	90	1500	190	130	16
130	130	1000	220	170	16
130	130	1500	220	170	30
150	200	1000	250	240	29
150	200	1500	250	240	43
190	130	1000	280	170	18
190	130	1500	280	170	28
250	130	1000	340	170	36
250	130	1500	340	170	21
350	130	1000	440	170	23
350	130	1500	440	170	45
350	300	1000	440	340	61

- Standard Troughs and Lids are for pedestrian traffic only.
- Please note once the lid is fitted the internal capacity of the trough will be reduced.

LID CURVED



Curve Lids	PADS No	To Suit	No. per Tonne	Pallet Qty
C/1/16LCRW	0004/131492	C/1/16	125	24
C/1/11LCRW		C/1/16	100	10
C/1/17LCRW	0004/131494	C/1/17	100	24
C/1/12LCRW		C/1/17	62	24
C/1/18LCRW	0004/131496	C/1/18	83	24
C/1/13LCRW		C/1/18	55	10
C/1/19LCRW	0004/131471	C/1/19	90	80
C/1/14LCRW	0004/131488	C/1/19	45	24
C/1/15LCRW	0004/131490	C/1/10	41	10
C/1/20LCRW	0004/131473	C/1/10	71	72
C/1/30LCRW	0004/131498	C/1/29	45	10
C/1/31LCRW	0004/131500	C/1/29	23	10
C/1/82LCRW	0004/131504	C/1/43	38	10

BRB Cat/No	Size of Trough Internal Dimensions		Radius R	Width WE	Weight (kg)
	Width W	Depth D			
4/105251	100	90	1000	190	8
4/105255	100	90	1500	190	10
4/105259	130	130	1000	220	10
4/105260	130	130	1500	220	16
4/105263	150	200	1000	250	12
4/105264	150	200	1500	250	18
4/105267	190	130	1000	280	11
4/105268	190	130	1500	280	22
4/105271	250	130	1000	340	24
4/105272	250	130	1500	340	14
4/105252	350	130	1000	440	22
4/105256	350	130	1500	440	42
4/131416	350	130	1000	440	26

- Standard Troughs and Lids are for pedestrian traffic only.
- Please note once the lid is fitted the internal capacity of the trough will be reduced.

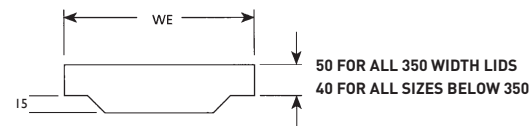
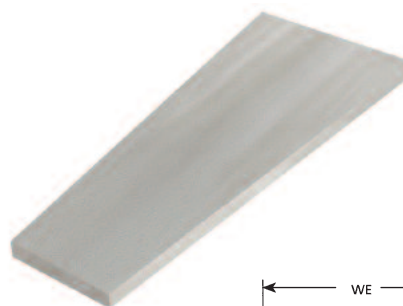
TRANSITION TROUGH



TRANSITIONS	PADS No	To Suit	Weight	No. per Tonne	Pallet Qty
C/1/40TRW	0004/131445	C/1/7 to C/1/6	28	35	40
C/1/38TRW	0004/131447	C/1/9 to C/1/7	35	28	15
C/1/35TRW	0004/131451	C/1/10 to C/1/9	38	26	15
C/1/36TRW	0004/131449	C/1/10 to C/1/8	52	19	15
C/1/61TRW	0004/131480	C/1/43 to C/1/7	66	15	6
C/1/45TRW	0004/131474	C/1/43 to C/1/8	95	10	6
C/1/62TRW	0004/131482	C/1/43 to C/1/9	55	18	6
C/1/63TRW	0004/131484	C/1/43 to C/1/10	57	17	4
C/1/44TRW	0004/131476	C/1/43 to C/1/29	60	16	4
C/1/60TRW	0004/131478	C/1/29 to C/1/9	47	21	12
C/1/33TRW	0004/131453	C/1/29 to C/1/10	43	23	15

- Standard Troughs and Lids are for pedestrian traffic only.
- Please note once the lid is fitted the internal capacity of the trough will be reduced.

TRANSITION LID



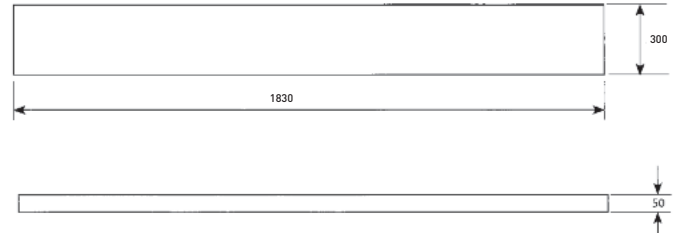
Transitions	PADS No	To Suit	Weight	No. per Tonne	Pallet Qty
C/1/40LRW	0004/131446	C/1/7 to C/1/6	16	62	40
C/1/38LRW	0004/131448	C/1/9 to C/1/7	20	50	30
C/1/35LRW	0004/131452	C/1/10 to C/1/9	25	40	30
C/1/36LRW	0004/131450	C/1/10 to C/1/8	28	35	30
C/1/61LRW	0004/131481	C/1/43 to C/1/7	38	26	15
C/1/45LRW	0004/131475	C/1/43 to C/1/8	30	33	15
C/1/62LRW	0004/131483	C/1/43 to C/1/9	33	30	15
C/1/63LRW	0004/131485	C/1/43 to C/1/10	35	28	15
C/1/60LRW	0004/131479	C/1/29 to C/1/9	36	27	12
C/1/33LRW	0004/131455	C/1/29 to C/1/10	35	28	30

- Standard Troughs and Lids are for pedestrian traffic only.
- Please note once the lid is fitted the internal capacity of the trough will be reduced.

BALLAST BOARDS



Anderton Concrete **ballast boards** are the ideal way to prevent the spread of ballast. Quick and easy to install Anderton ballast boards provide an instant solution to an ongoing problem. Anderton Concrete ballast boards contain steel reinforcement for extra strength and durability, they can also be delivered to site in composite loads with other Anderton Concrete railway products.



Product Description	BRB Cat/No	Size	Weight (kg)	Pack Size
Ballast Board	4/013298	1830 x 300 x 50	60	20
Ballast Board		1830 x 150 x 50	30	40

KING BOARDS



Anderton Concrete **king boards** provide the ideal engineered solution to create a line side recess to house vital infrastructure equipment or a position of safety for work personnel.

The heavy duty king board product has additional reinforcement detail to provide added protection against soil pressures.



Units are available in a variety of sizes.
Please contact our Sales Office with your specific requirements.

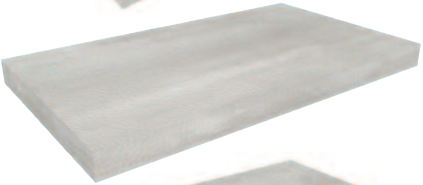
STANDARD CATCHPITS



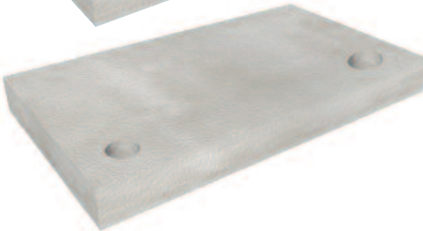
STANDARD
CATCHPIT FRAME



STANDARD
CATCHPIT COVER

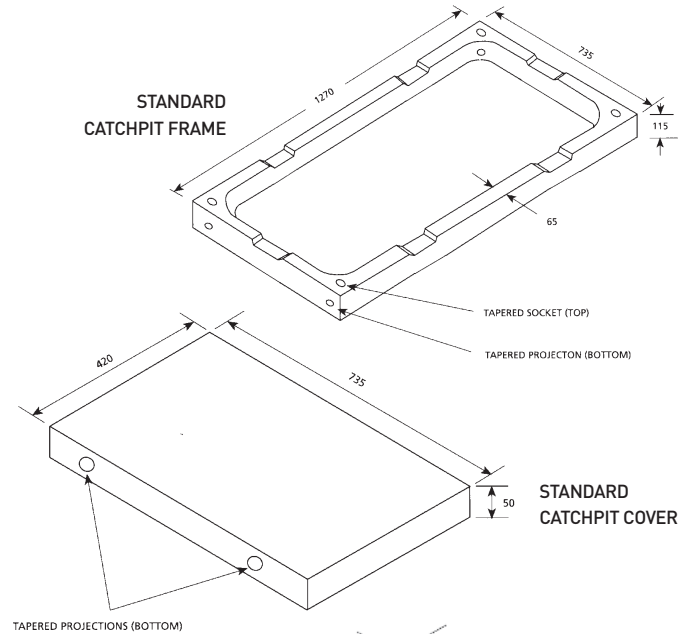


STANDARD
CATCHPIT BASE



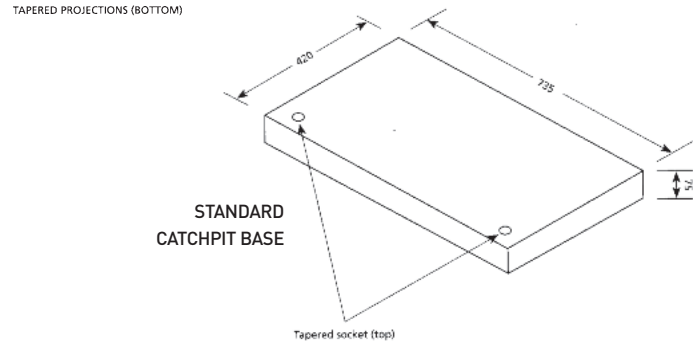
Product Description	BRB Cat/No	Weight (kg)	Pack Size
Standard catchpit cover	4/13508	38	30
Standard catchpit frame	4/13501	71	10
Standard catchpit base	4/13509	58	24

STANDARD
CATCHPIT FRAME



STANDARD
CATCHPIT COVER

TAPERED PROJECTIONS (BOTTOM)



STANDARD
CATCHPIT BASE

Tapered socket (top)

STANDARD CATCHPITS

STANDARD CATCHPIT
HALF FRAME



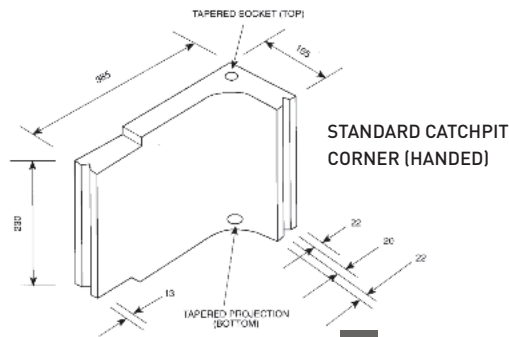
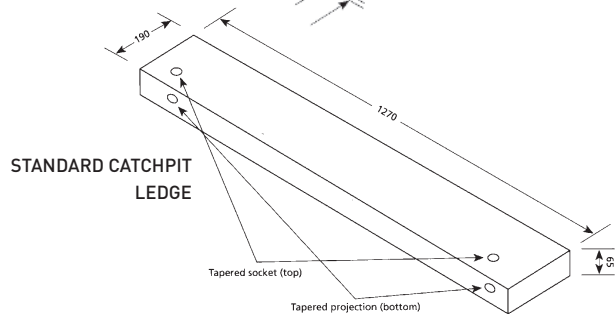
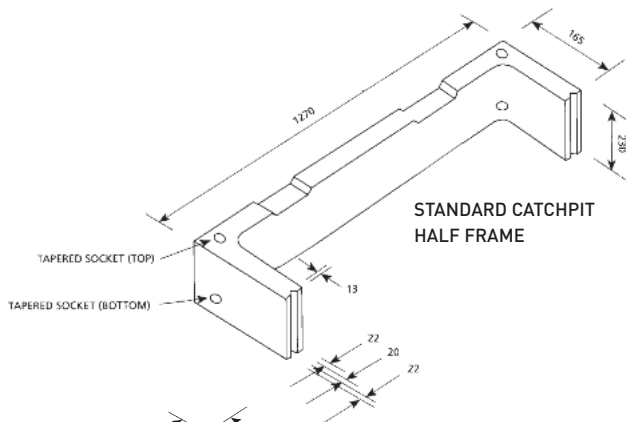
STANDARD CATCHPIT
LEDGE



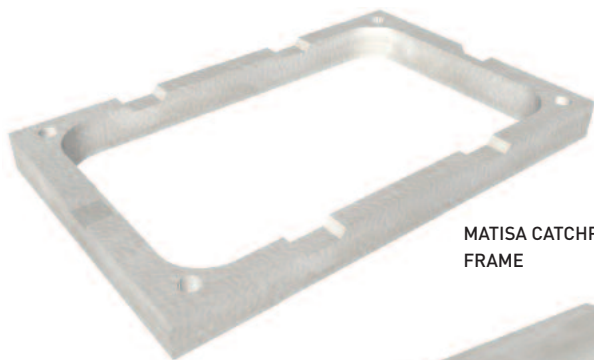
STANDARD CATCHPIT
CORNER (HANDED)



Product Description	BRB Cat/No	Weight (kg)	Pack Size
Standard catchpit half frame	4/13502	56	12
Standard catchpit ledge	4/13510	38	40
Standard catchpit corner LH	4/13506	20	8
Standard catchpit corner RH	4/13507	20	8



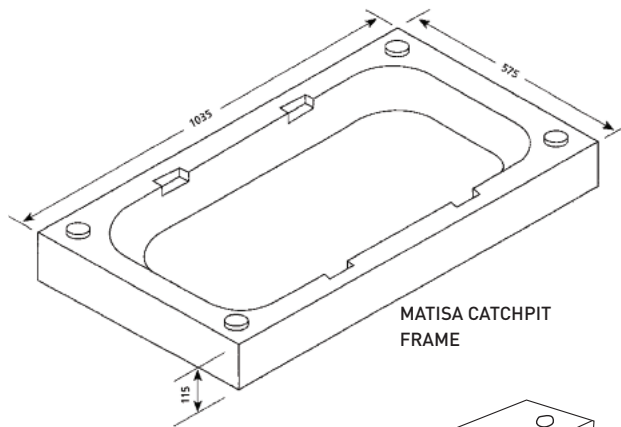
MATISA CATCHPITS



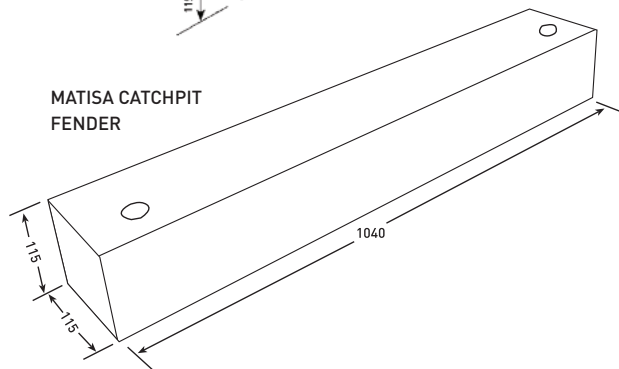
MATISA CATCHPIT
FRAME



MATISA CATCHPIT
FENDER



MATISA CATCHPIT
FRAME



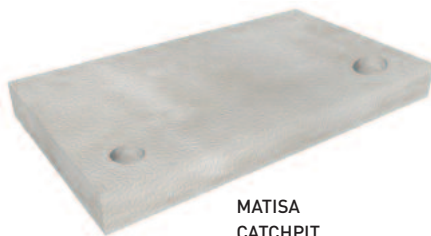
MATISA CATCHPIT
FENDER

Product Description	BRB Cat/No	Weight (kg)	Pack Size
Matisa catchpit frame	4/104514	54	20
Matisa catchpit fender	4/104513	34	20

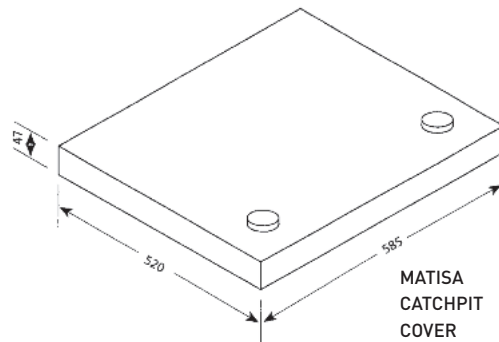
MATISA CATCHPITS



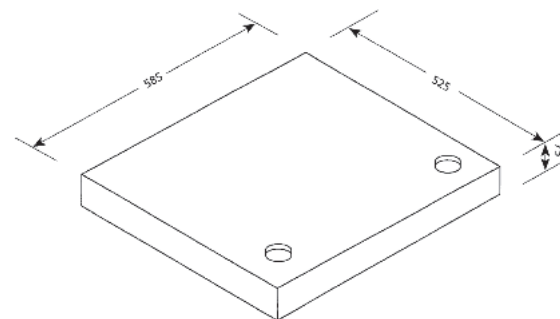
MATISA
CATCHPIT
COVER



MATISA
CATCHPIT
BASES



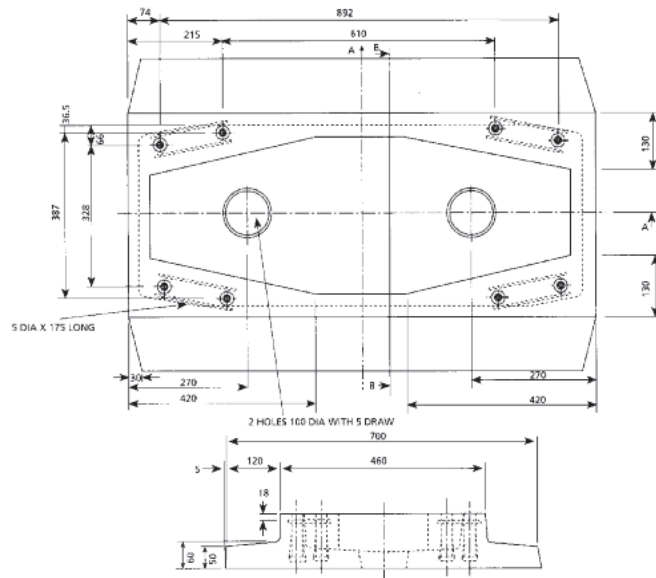
MATISA
CATCHPIT
COVER



MATISA
CATCHPIT
BASES

Product Description	BRB Cat/No	Weight (kg)	Pack Size
Matisa catchpit cover	4/104512	35	20
Matisa catchpit base	4/104511	54	20

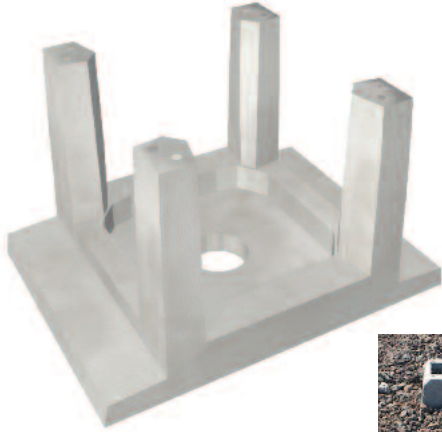
LARGE APPARATUS CASE BASE



Product Description	BRB Cat/No	Length	Width	Depth	Weight (kg)	Pack Size
Large apparatus case base	4/104272	1040	700	115	112	5

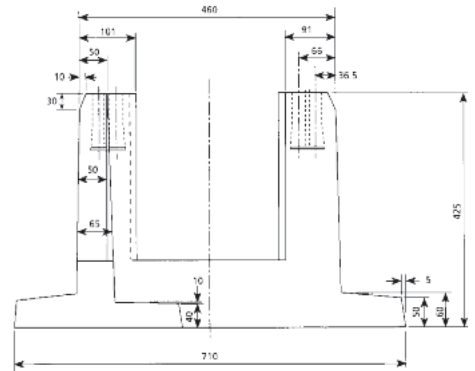
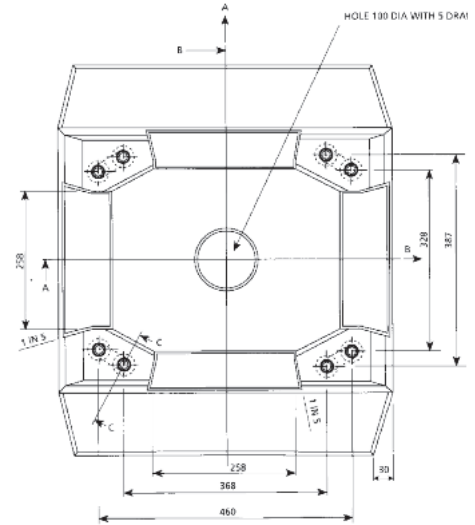
To be used in conjunction with Anderton corner units and Anderton filler blocks.

SMALL APPARATUS CASE BASE



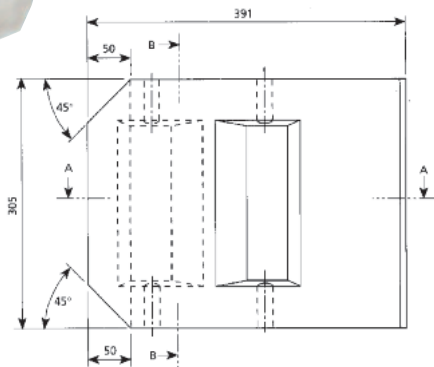
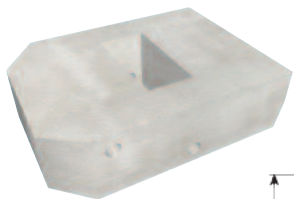
Product Description	BRB Cat/No	Length	Width	Depth	Weight (kg)	Pack Size
Small apparatus case base	4/104281	710	580	425	128	4

To be used in conjunction with Anderton filler blocks.

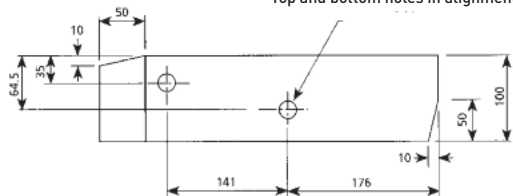


SECTION BB

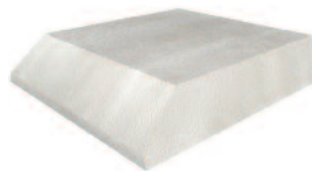
CORNER UNITS



4 holes 20 dia perpendicular to outer faces.
Top and bottom holes in alignment

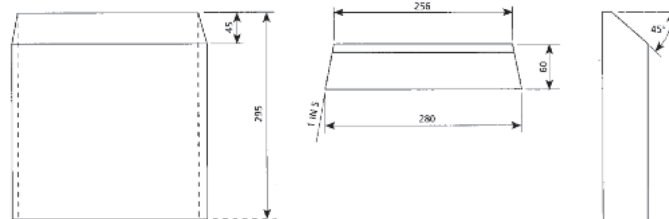


FILLER BLOCKS



Product	BRB					
Description	Cat/No	Length	Width	Depth	Weight (kg)	Pack Size
Corner Unit	4/104326	391	100	305	23	48
Filler Block	4/104301	280	60	295	11	96

Corner units to be used in conjunction with Anderton large apparatus case bases.
Filler blocks to be used in conjunction with Anderton large apparatus case bases or Anderton small apparatus case bases.



All dimensions in mm.

POINT ROD ROLLERS



6 WAY POINT ROD
ROLLER

3 WAY POINT ROD
ROLLER

Product Description	BRB Cat/No	Length	Width	Depth	Weight (kg)	Pack Size
3 Way Point Rod Roller	4/12773	220	273	606	34	12
6 Way Point Rod Roller	4/12774	220	480	606	62	6



MISCELLANEOUS RAIL PRODUCTS

MISCELLANEOUS RAIL PRODUCTS

Universal Telecoms Cabinet Base



Catalogue Number	004/012639
Weight	120kg
Number per pallet	2

Ground Signal SPT Base



Catalogue Number	004/012658
Weight	100kg
Number per pallet	2

Position Light Shunt Signal



Catalogue Number	004/104291
Weight	53kg
Number per pallet	9

Miniature Red / Green Light Unit Post Base



Catalogue Number	004/012657
Weight	240kg
Number per pallet	4

Crank Frame Leg



Catalogue Number	004/015957
Weight	79kg
Number per pallet	6

Signal Wheel Leg



Catalogue Number	004/015958
Weight	34kg
Number per pallet	3



Anderton Concrete is a manufacturer and supplier of platform copings and oversail blocks for use on the railway infrastructure.

STATION PLATFORM MATERIALS

Anderton Concrete copings are independently tested by a UKAS testing laboratory and conform to BS EN 13036-4 Pendulum Test.

Anderton Concrete manufacture as standard various sizes of coping, in a traditional grey colour, in either an 'as cast' or exposed aggregate finish. Anderton Concrete also has the expertise to offer bespoke copers, in a variety of sizes, colours and surface finishes, please contact our sales office for further information.

Anderton Concrete oversail blocks are manufactured to complement the range of Anderton Concrete Platform Copings. Each unit has a side cut out to accommodate location dowels.

COPING STONES

Product Description	Dimensions L x W x D (mm)
Coping Stone	930 x 760 x 100
Coping Stone	1219 x 914 x 100

OVERSAIL BLOCKS

Product Description	Dimensions L x W x D (mm)
Oversail Block	560 x 220 x 200



Typical platform construction



Oversailing Blocks



Exposed Aggregate Finish



Textured Finish

LONDON UNDERGROUND PRODUCTS



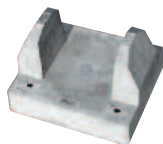
Anderton Concrete manufactures small precast items for the **London Underground** Infrastructure under a Quality Management System certified to ISO 9001.

The standard product range has developed over many years to provide a comprehensive solution to both London Underground and Contractors alike.

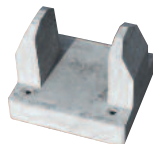
For any inquiries from the standard product range or if you have any bespoke requirements please contact our Northwich sales office.



PEDESTAL
BLOCK



NEGATIVE
SAFETY BLOCK



POSITIVE
SAFETY BLOCK

NOSING STONES



PC 20



PC 30

Product Description	Dimensions		
	L x W x D (mm)	Weight (kg)	Pack Size
PC10 Nosing Stone	600 x 600 x 65	60	10
PC20 Nosing Stone	910 x 685 185/90	150	5
PC30 Nosing Stone	910 x 685 x 90	135	5



PC 10



CABLE POSTS

Product Description	Dimensions	
	L x W x D (mm)	Weight (kg)
1220mm Cable Post	165 x 75	37
1855mm Cable Post	165 x 75	58
2285mm Cable Post	165 x 75	68
3050mm Cable Post	165 x 75	91
4270mm Cable Post	165 x 152/75	165

Product Description

Product Description	Weight (kg)
Cable Post Anchors to suit	53
Cable Post Wedges to suit	3

HEALTH AND SAFETY



ANDERTON CONCRETE PRODUCTS LTD seeks to achieve industry best practice standards of health and safety. We recognise that this is a critical issue for all of our stakeholders, particularly for our employees and contractors.

Our health and safety policy, applied throughout the company, is to:

- Comply, at a minimum, with all applicable legislation and continually improve our health and safety stewardship towards industry best practice
- Ensure that our employees and contractors respect the Company's health and safety imperatives
- Ensure that our company provides a healthy and safe workplace for our employees and contractors, and take due care of all customers and visitors at our locations
- Require all our company employees and contractors to work in a safe manner as mandated by law and industry best practice.

Health and Safety Management

Health and Safety Management is a daily priority of line management. Safety results for the company are closely monitored by senior management and are reported to the Anderton Concrete Products Ltd Board on a monthly basis. Line management is responsible for ensuring that company health and safety policies are fully adhered to, and that site managers and employees, supported by company safety officers, are trained in health and safety risk analysis and prevention.

Where accidents occur they are thoroughly investigated and corrective action is taken to avoid a recurrence. Lessons learned are actively shared via Safety Best Practice groups.

Safety Performance

We have found that the most common causes of accidents are slips, trips and falls, injury by falling and moving objects and improper manual handling; with additional care and attention by all, many of these accidents are preventable. Our goal is zero fatalities and zero accidents. Due to the nature and size of our

business, these are extremely challenging goals. We will continue to devote substantial management and employee time and all the appropriate resources to this area to progress company performance towards those targets.

Product Safety

The products delivered by Anderton Concrete Products Ltd, when properly used, present negligible health risks. Material Safety Data Sheets advising on optimal application procedures are available on request.

CONTACT US

For more information or a quotation for any of our products please contact us using the details below and one of our team will be happy to help.

HEAD OFFICE

Anderton Concrete Products Limited (Cheshire)
Units 1 & 2, Cosgrove Business Park
Soot Hill, Anderton
Northwich, Cheshire CW9 6AA

T: 01606 535300 (Civils)
F: 01606 75905
E: civils@andertonconcrete.co.uk

T: 01606 79436 (Fencing, Building & Rail Products)
F: 01606 75899
E: sales@andertonconcrete.co.uk

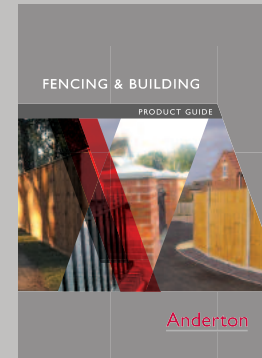
MERSEYSIDE

Anderton Concrete
Products Limited
(Merseyside)
Bridle Way
Bootle
Merseyside L30 4UA

Specifier Mini Guides available on request...



Civil Products



Fencing & Building



THORNE &
DERRICK
INTERNATIONAL

Thorne & Derrick
+44 (0) 191 410 4292
www.powerandcables.com

Anderton

A: Anderton Wharf
Units 1 & 2
Cosgrove Business Park
Soot Hill
Anderton
Northwich
Cheshire CW9 6AA

T: 01606 79436
F: 01606 871590
T: 01606 535300 Civils
F: 01606 75905 Civils

E: sales@andertonconcrete.co.uk
E: civils@andertonconcrete.co.uk
W: www.andertonconcrete.co.uk