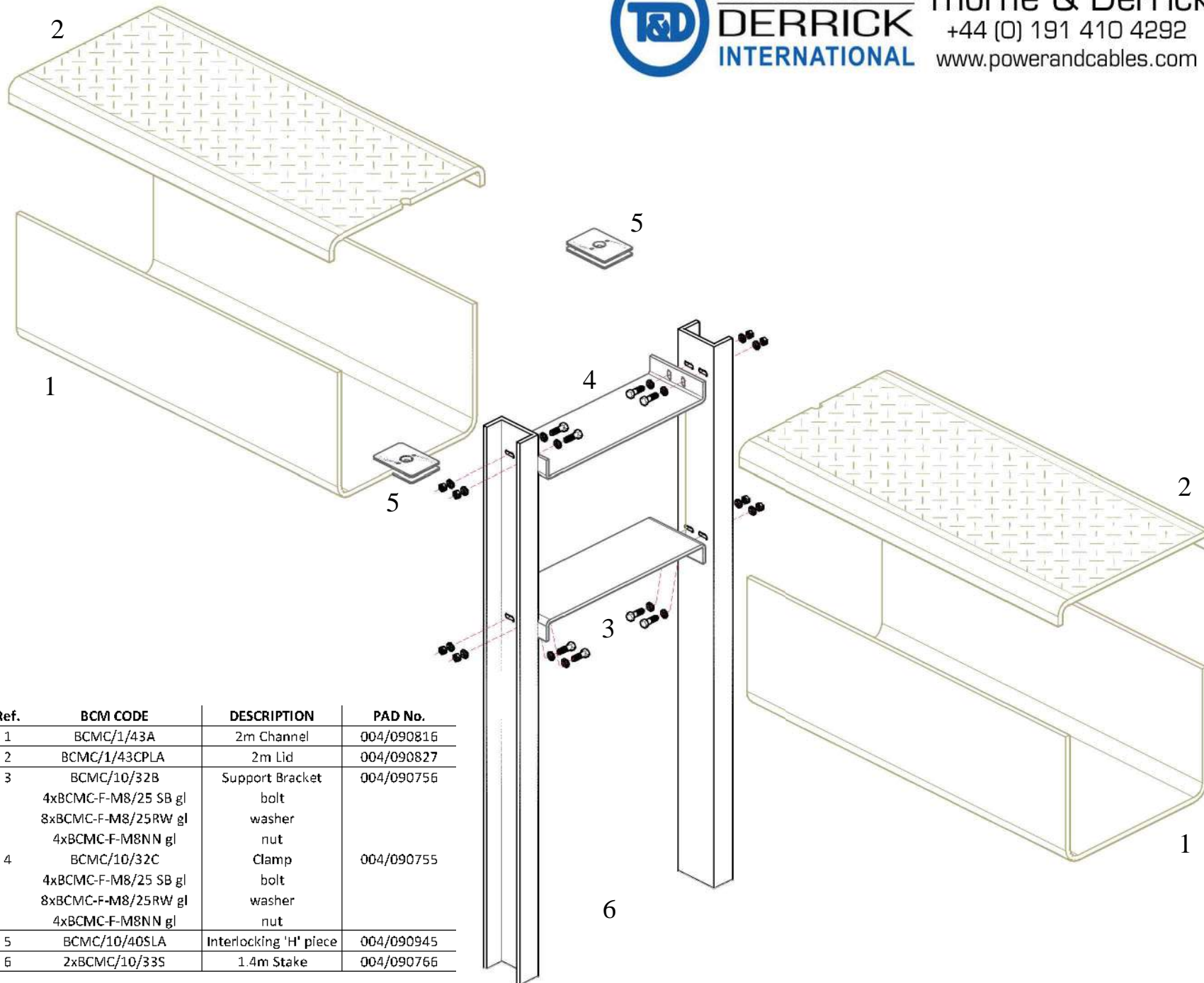




**THORNE &
DERRICK**
INTERNATIONAL

Thorne & Derrick
+44 (0) 191 410 4292
www.powerandcables.com



Ref.	BCM CODE	DESCRIPTION	PAD No.
1	BCMC/1/43A	2m Channel	004/090816
2	BCMC/1/43CPLA	2m Lid	004/090827
3	BCMC/10/32B	Support Bracket	004/090756
4	4xBCMC-F-M8/25 SB gl	bolt	004/090755
	8xBCMC-F-M8/25RW gl	washer	
	4xBCMC-F-M8NN gl	nut	
	BCMC/10/32C	Clamp	
	4xBCMC-F-M8/25 SB gl	bolt	
5	8xBCMC-F-M8/25RW gl	washer	004/090945
	4xBCMC-F-M8NN gl	nut	
	BCMC/10/40SLA	Interlocking 'H' piece	
6	2xBCMC/10/33S	1.4m Stake	004/090766

1. Do not scale.
2. This drawing is the property of BCM GRC Ltd and may not be copied altered or distributed without the consent of BCM GRC Ltd.
3. Tolerances -3mm/+3mm.
4. All cast in sockets are stainless steel, therefore stainless steel bolts are required in all cases. Isolation washers will need to be implemented where galvanised steel occurs.
5. Torque setting for standard M8 ST/ST cast in sockets is 10.6Nm.

NOTES

Rev	Description	Date
-----	-------------	------

Drawing Title
C/1/43 GRC Elevated Channel
Troughing Component Detail

Dwg Status:	INFORMATION	Date:	7/11/13
-------------	-------------	-------	---------

Product code:		Drawn By:	C.A
---------------	--	-----------	-----

Scale:	NTS	Dwg No:	BCMC/1/43-Detail	Rev:	-
--------	-----	---------	------------------	------	---