

# House Service Cut Out Single Pole

*60/80A rated*  
*100A rated*

## Overview and presentation

Devices accepting BS 1361 cylindrical cartridge fuses  
generally fitted at the origin of the installation



## Features

- Two incoming and outgoing Phase terminations which accept up to 35mm<sup>2</sup> conductors in either copper or aluminium, stranded or solid
- Silver plated Phase terminal contact block
- Serrated bores on Phase terminal contact blocks with two M8 hexagon drive pinching screws per conductor
- Sealing wire facility
- Blanking plugs for unused cable entries provided
- Accessories available include cable cover, cable chamber and busbar extensions

**Note** The equipment described on this data sheet must be installed by suitably qualified personnel according to applicable Local/ National Wiring regulations currently in force.

## Low voltage - Cut outs - Single Pole

### Construction

- Body, base and cover..... Glass re-inforced polyester DMC in RAL 7035 colour
- Terminal blocks.....Silver plated brass

### Performance

- Rated voltage ..... 240/415V a.c.
- Max rated current ..... 100A
- Supply frequency..... 50-60Hz
- Flammability rating..... UL VO, self-extinguishing 30 seconds at 960°C
- Recommended terminal torque .....3.25Nm
- Fuse short circuit rating .....33kA at 0.3pf

### Conformity to standards

- Conforms to BS 7657:2010
- Accepts fuse links in accordance with BS 1361:1991

### Weight and dimensions

- Height ..... 98mm
- Width..... 43mm
- Depth..... 96mm
- Weight (excluding fuse)..... 0.43kgs

**Note** Different combinations of fuse cut outs can be ganged to create a range of Triple pole variants.

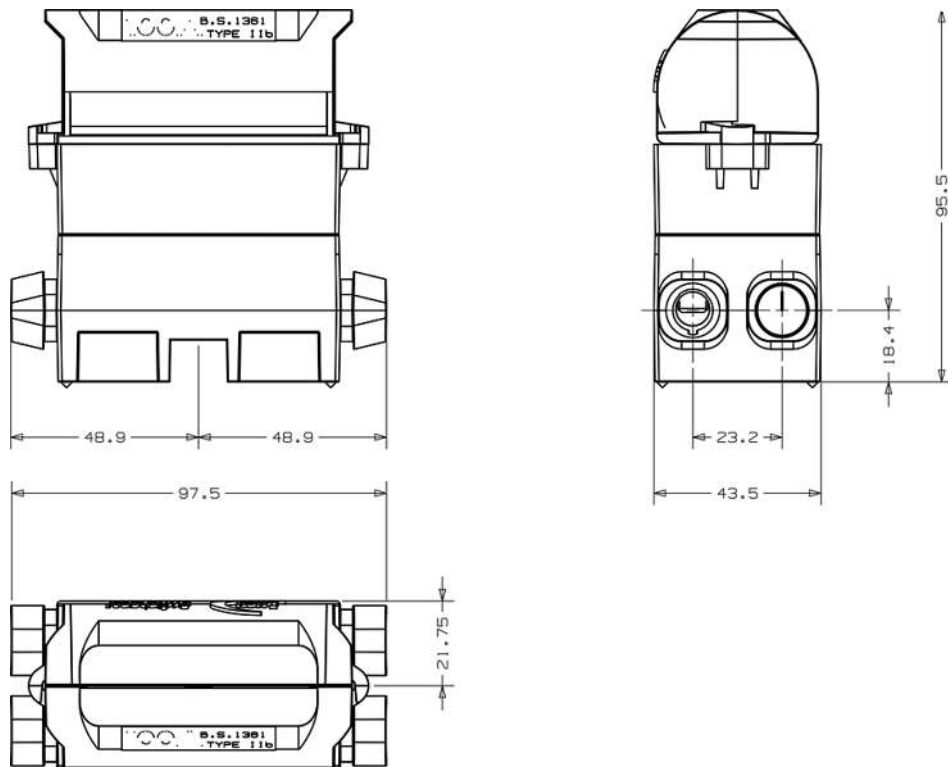


**THORNE &  
DERRICK  
INTERNATIONAL**

**Thorne & Derrick**  
+44 (0) 191 410 4292  
www.powerandcables.com

## Low voltage - Cut outs - Single Pole

### General arrangement and dimensions (mm)



**Disclaimer** Lucy Switchgear has a policy of continuous research and development and accordingly reserves the right to change the design and specifications of its products without prior notice or liability.



THORNE &  
DERRICK  
INTERNATIONAL

Lucy Switchgear

Thorne & Derrick  
+44 (0) 191 410 4292  
www.powerandcables.com