

Cable protection overview

Our cable protection range of products has been used extensively for rail, highways, housing developments, commercial, retail and industrial infrastructure applications.



Applications

We offer a full range of cable protection systems for:

- Power
- Motorway Communications
- Lighting
- Utilities
 - Gas
 - Water
 - Telecommunications
 - Traffic signalling
 - Cable television
 - PVCu specification

Cable protection range

Reflecting our expertise in protecting crucial power, lighting and communications cabling, our UK-manufactured range of pipes are certified to British and European standards and conform to industry standards such as ENATS 12-24, the Electrical Supply Industry Specification for Cable Protection. With over 1,000 tried and tested products to choose from, we provide the largest range of cable protection systems for almost any application.



(Network Rail Parts and Drawing Systems (PADS) Approved).
 Certificate number: PA05/05875
 Approved Ridgiduct and Ridgicoil can be used in conjunction with Under Track Crossing (UTX) chambers, manufactured from Ridgistorm-XL.

Contents

| SECTION 9 | Cable protection | |
|-----------|---------------------------------------|-----------|
| | Cable protection overview | 110 - 111 |
| | Power - Class 1 | 112 - 113 |
| | Power - Class 2 | 114 |
| | Power - Class 3 | 115 |
| | Ridgicoil power and power accessories | 116 - 117 |
| | General purpose power | 118 - 119 |
| | Motorway communications | 120 - 123 |
| | Lighting | 123 - 127 |
| | Utilities | 128 - 133 |
| | Installation advice | 134 - 135 |

Power

Polypipe is the UK's leading supplier to the power and utilities industry and is an approved manufacturer for many Distribution Network Operator (DNO) companies. Our products include cable protection that complies with ENATS 12-24 Classes 1, 2 and 3, as well as above ground solutions such as cable guards and hockey sticks.

Power - Class 1

Ridgiduct Power HV

Manufactured from polypropylene, Ridgiduct Power HV offers a stiff yet flexible twinwall structured cable protection system, which complies fully with ENATS 12-24 Class 1 specification. It is available with a black outer and red inner as standard, but can also be manufactured with a red outer and red inner.



Ridgiduct Power HV key benefits

- Complies with ENATS 12-24 Class 1 specification, 450N compressive strength at 75°C
- Complies with BS EN 61386-24:2010, Type 750N, normal duty impact resistance
- Suitable for use with high voltage, XLPE sheathed cables
- IP4X rated system, protection against ingress of solid foreign objects
- Available with red inner wall and either a black or red outer wall for increased identification
- Supplied with an integral coupling
- Manufactured from polypropylene
- Full range of fittings and accessories available
- Low weight, flexible, durable and high strength



Ridgiduct Power HV bend

| Ridgiduct Power HV Duct | | | | | |
|-------------------------|-------|----------|---------|---------------------|----------|
| ID mm | OD mm | Length m | Colours | Code | Pack qty |
| 100 | 118 | 2 | B R | RBHV100X2 (B or R)▲ | 85 |
| 100 | 118 | 3 | B R | RBHV100X3 (B or R)▲ | 85 |
| 100 | 118 | 6 | B R | RBHV100X6 (B or R) | 85 |
| 125 | 148 | 2 | B R | RBHV125X2 (B or R)▲ | 46 |
| 125 | 148 | 3 | B R | RBHV125X3 (B or R)▲ | 46 |
| 125 | 148 | 6 | B R | RBHV125X6 (B or R) | 46 |
| 150 | 178 | 2 | B R | RBHV150X2 (B or R)▲ | 36 |
| 150 | 178 | 3 | B R | RBHV150X3 (B or R)▲ | 36 |
| 150 | 178 | 6 | B R | RBHV150X6 (B or R) | 36 |

Available in black (B) or red (R). Please specify with order.
 ▲ Red (R) and black (B) are both made to order and subject to lead times.
 Note: Not a sealed system. Where a sealed system is required, our PVCu Power HV Duct with sealed joints tested to BS EN 1277, should be considered. See page 113 for further information.

| Ridgiduct Power HV Double Socket Bends | | | | | |
|----------------------------------------|---------------|--------|---------|---------------------------|----------|
| Nominal size mm | Bend radius m | Angle | Colours | Code | Pack qty |
| 100 | 3.9 | 11.25° | B R | RBHVB100X11X3.9 (B or R)▲ | 1 |
| 100 | 3.9 | 22.5° | B R | RBHVB100X22X3.9 (B or R)▲ | 1 |
| 100 | 1.2 | 45° | B R | RBHVB100X45X1.2 (B or R)▲ | 1 |
| 100 | 1.2 | 90° | B R | RBHVB100X90X1.2 (B or R)▲ | 1 |
| 125 | 3.9 | 11.25° | B R | RBHVB125X11X3.9 (B or R)▲ | 1 |
| 125 | 3.9 | 22.5° | B R | RBHVB125X22X3.9 (B or R)▲ | 1 |
| 125 | 1.2 | 45° | B R | RBHVB125X45X1.2 (B or R)▲ | 1 |
| 125 | 1.2 | 90° | B R | RBHVB125X90X1.2 (B or R)▲ | 1 |
| 150 | 3.9 | 11.25° | B R | RBHVB150X11X3.9 (B or R)▲ | 1 |
| 150 | 3.9 | 22.5° | B R | RBHVB150X22X3.9 (B or R)▲ | 1 |
| 150 | 1.2 | 45° | B R | RBHVB150X45X1.2 (B or R)▲ | 1 |
| 150 | 1.2 | 90° | B R | RBHVB150X90X1.2 (B or R)▲ | 1 |

Available in black (B) or red (R). Please specify with order.
 ▲ Red (R) is made to order and subject to lead times.

| Ridgiduct Coupling | | |
|--------------------|--------|----------|
| ID mm | Code | Pack qty |
| 100 | RBC100 | 10 |
| 125 | RBC125 | 10 |
| 150 | RBC150 | 10 |



Ridgiduct coupling

Trefoil Clip

Suitable for use with both Ridgiduct Power HV duct lengths and bends, the polypropylene Trefoil Clip is designed to support duct arrangement during installation and burial, ensuring consistent spacing of duct lengths and bends.



Trefoil Clip

| Ridgiduct Power HV Trefoil Clip | | | |
|---------------------------------|--------|---------|----------|
| Diameter mm | Colour | Code | Pack qty |
| 100 | B | RBTC100 | 10 |
| 125 | B | RBTC125 | 10 |
| 150 | B | RBTC150 | 10 |

PVCu Power HV

PVCu Power HV is a single wall cable protection system which fully complies with ENATS 12-24 Class 1 specification. Available for both unsealed and sealed systems, with sealed joints tested to BS EN 1277, it is suitable for high, medium and low voltage applications. It is available in black as standard, but can also be manufactured in red.



PVCu Power HV Duct

| PVCu Power HV Duct | | | | | | |
|---------------------------|-------|-------|----------|--------|-------------------------|----------|
| Nominal wall thickness mm | ID mm | OD mm | Length m | Colour | Code | Pack qty |
| UNSEALED | | | | | | |
| 4.1 | 102 | 110 | 6 | B | SD7110X6BNS | 95 |
| 5.2 | 150 | 160 | 6 | B | SD7160X6BNS | 46 |
| 4.1 | 102 | 110 | 6 | R | SD7110X6RNS | 95 |
| 5.2 | 150 | 160 | 6 | R | SD7160X6RNS | 46 |
| SEALED | | | | | | |
| 4.1 | 102 | 110 | 6 | B | SD7110X6BSPE▲ & UG402B▲ | 95 |
| 5.2 | 150 | 160 | 6 | B | SD7160X6BSPE▲ & UG602B▲ | 46 |
| 4.1 | 102 | 110 | 6 | R | SD7110X6RSPE▲ & UG402B▲ | 95 |
| 5.2 | 150 | 160 | 6 | R | SD7160X6RSPE▲ & UG602B▲ | 46 |

▲ Made to order and subject to lead times. Please order duct and coupling together to make a sealed system.

| PVCu Power HV Bends | | | | | |
|---------------------|---------------|--------|---------|---------------------------|----------|
| Nominal size mm | Bend radius m | Angle | Colours | Code | Pack qty |
| 110 | 3.9 | 11.25° | B R | SDB7110X11X3.9 (B or R)▲* | 1 |
| 110 | 3.9 | 22.5° | B R | SDB7110X22X3.9 (B or R)▲* | 1 |
| 110 | 1.2 | 45° | B R | SDB7110X45X1.2 (B or R)▲* | 1 |
| 110 | 1.2 | 90° | B R | SDB7110X90X1.2 (B or R)▲* | 1 |
| 160 | 3.9 | 11.25° | B R | SDB7160X11X3.9 (B or R)▲* | 1 |
| 160 | 3.9 | 22.5° | B R | SDB7160X22X3.9 (B or R)▲* | 1 |
| 160 | 1.2 | 45° | B R | SDB7160X45X1.2 (B or R)▲* | 1 |
| 160 | 1.2 | 90° | B R | SDB7160X90X1.2 (B or R)▲* | 1 |

Available in black (B) or red (R). Please specify with order.
 ▲ Red (R) is made to order and subject to lead times. *For sealed bends, please add the prefix 'S' to the end of the code. Bends for a sealed system are plain ended and bends for an unsealed system are single socketed.

PVCu Power HV key benefits

- Complies with ENATS 12-24 Class 1 specification, 450N compressive strength at 75°C
- Complies with BS EN 61386-24:2010, Type 750N, normal duty impact resistance
- IP47 rated system (watertight up to 1 metre) for sealed systems, otherwise IP4X
- 6m lengths as standard (other lengths available on request)
- Standard markings - Electrical Cable Duct (other markings available on request)



PVCu Power HV bend

Power - Class 2

Ridgiduct Power

Ridgiduct is a twinwall system, specifically engineered to provide a light, yet robust solution for cable protection. Ridgiduct is manufactured from high density polyethylene (HDPE) and the resulting stiff, yet flexible, twinwall structure easily outperforms alternative products.

Ridgiduct Power key benefits

- Complies with ENATS 12-24 Class 2 specification 450N compressive strength at 50°C
- Complies with BS EN 61386-24:2010, Type 750N, normal duty impact resistance
- A preferred choice for many distribution network operator (DNO) companies
- Network Rail PADS approved
- Supplied with an integral coupling
- IP4X rated system, protection against ingress of solid foreign objects
- Low weight, flexible, durable and high strength
- Good impact resistance, even at low temperatures
- Available in an alternative twinwall split duct form for easy installation around existing cables with minimal change in strength



Ridgiduct bend



Ridgiduct coupling

ENATS
(12-24)



ENATS
(12-24)

Network Rail
PA05/05875

Ridgiduct Power Duct

| ID mm | OD mm | Length m | Code | Pack qty |
|-------|-------|----------|--------------|----------|
| 100 | 118 | 2 | RB100X2* | 85 |
| 100 | 118 | 3 | RB100X3* | 85 |
| 100 | 118 | 6 | RB100X6* | 85 |
| 125 | 148 | 2 | RB125X2 | 46 |
| 125 | 148 | 3 | RB125X3 | 46 |
| 125 | 148 | 6 | RB125X6 | 46 |
| 150 | 178 | 2 | RB150X2* | 36 |
| 150 | 178 | 3 | RB150X3* | 36 |
| 150 | 178 | 6 | RB150X6* | 36 |
| 225 | 267 | 6 | RB225X6PE ▲* | 14 |
| 300 | 354 | 6 | RB300X6PE ▲* | 9 |

▲ Made to order and subject to lead times. Supplied plain ended, please order couplings and seals separately. *A sealed system can be achieved using Ridgidrain sealing rings and/or couplings, please see page 23.

Ridgiduct Double Socket Bends

| Nominal size mm | Bend radius m | Angle | Code | Pack qty |
|-----------------|---------------|--------|-----------------|----------|
| 100 | 2.4 | 11.25° | RBB100X11X2.4* | 1 |
| 100 | 2.4 | 22.5° | RBB100X22X2.4* | 1 |
| 100 | 0.45 | 45° | RBB100X45X0.45* | 1 |
| 100 | 0.45 | 90° | RBB100X90X0.45* | 1 |
| 125 | 2.4 | 11.25° | RBB125X11X2.4 | 1 |
| 125 | 2.4 | 22.5° | RBB125X22X2.4 | 1 |
| 125 | 0.61 | 45° | RBB125X45X0.61* | 1 |
| 125 | 0.61 | 90° | RBB125X90X0.61* | 1 |
| 150 | 2.4 | 11.25° | RBB150X11X2.4 | 1 |
| 150 | 2.4 | 22.5° | RBB150X22X2.4 | 1 |
| 150 | 0.61 | 45° | RBB150X45X0.61* | 1 |
| 150 | 0.61 | 90° | RBB150X90X0.61* | 1 |

Sealed Ridgiduct bends are available for 100 & 150mm duct.
*Bend radius compliant with ENATS 12-24.
Manufactured from PVCu.

Ridgiduct Coupling

| ID mm | Code | Pack qty |
|-------|---------|----------|
| 100 | RBC100 | 10 |
| 125 | RBC125 | 10 |
| 150 | RBC150 | 10 |
| 225 | CRD225* | 7 |
| 300 | CRD300* | 3 |

*225mm and 300mm couplings are from the Ridgidrain range.
Note: If the system is required to be watertight, then couplings will be required from the Ridgidrain range. For single socket fixed bellmouths and end caps, please see page 127.

Power - Class 3

Polyduct Power

Polyduct Power is manufactured from medium density polyethylene (MDPE) and is an ENATS 12-24 Class 3 specification product, available in coiled lengths. It has exceptional durability and can be used for either open trench or trenchless applications.



ENATS
(12-24)

Polyduct Power

Polyduct Power Duct

| ID mm | OD mm | Length m | Code | Pack qty |
|-------|-------|----------|----------------|----------|
| 32 | 37 | 25 | PD3237X25BEPE | 1 |
| 32 | 37 | 50 | PD3237X50BEPE | 1 |
| 32 | 37 | 100 | PD3237X100BEPE | 1 |
| 38 | 44 | 25 | PD3844X25BEPE | 1 |
| 38 | 44 | 50 | PD3844X50BEPE | 1 |
| 38 | 44 | 100 | PD3844X100BEPE | 1 |
| 50 | 60 | 25 | PD5060X25BEPE | 1 |
| 50 | 60 | 50 | PD5060X50BEPE | 1 |

Polyduct Power key benefits

- Complies with ENATS 12-24 Class 3, 450N compressive strength at 23°C
- Complies with BS EN 61386-24:2010, Type 450N, normal duty impact resistance
- Available in 25m, 50m or 100m coils plain ended
- Flexibility of coil eliminates the needs for specialised bends
- High impact resistance



ENATS
(12-24)

Polyduct coupling

Polyduct Black Couplings

| ID mm | OD mm | Code | Pack qty |
|-------|-------|-------|----------|
| 32 | 37 | PDC32 | 1 |
| 38 | 44 | PDC38 | 1 |
| 50 | 60 | PDC50 | 1 |

Ridgiduct Power Duct (non-standard sizes)

| ID mm | OD mm | Length m | Code | Coupling code | Pack qty |
|-------|-------|----------|--------|---------------|----------|
| 94 | 110 | 6 | RB94X6 | RBC94 | 95 |

Note: Available as a sealed system using CRD94 couplings and SRD94 sealing rings.



ENATS
(12-24)

Ridgiduct Power Duct

Ridgicoil Power

Ridgicoil Power

Ridgicoil is a coiled twinwall cable protection duct, manufactured from polyethylene with an excellent impact resistance even at low temperatures. It has exceptional durability and flexibility, which eliminates the need for specialist bends. With a smooth bore, Ridgicoil has a low co-efficient of friction for ease of cable installation.

Network Rail

PA05/05875

Note: Sizes 63mm and 110mm only.



Ridgicoil Power key benefits

- Complies with BS EN 61386-24:2010, Type 450N, normal duty impact resistance
- Provides compressive strength 450N at 23°C, but not an ENATS 12-24 approved product
- Network Rail PADS approved
- Ease of use and transportation
- Can be used for trenchless applications
- Long coil lengths for reduced jointing
- Low weight high strength
- Factory installed polypropylene twine and coupling



Ridgicoil coupling



Ridgicoil seals

Network Rail

PA05/05875

Power - accessories



Ridgicoil bend

| Ridgicoil Power Duct | | | |
|----------------------|-------|----------|-------------|
| ID mm | OD mm | Length m | Code |
| 31 | 40 | 50 | RC40X50BE |
| 40 | 50 | 50 | RC50X50BE |
| 50 | 63 | 50 | RC63X50BE* |
| 60 | 75 | 50 | RC75X50BE |
| 71 | 90 | 50 | RC90X50BE |
| 94 | 110 | 50 | RC110X50BE* |
| 140 | 160 | 25 | RC160X25BE |

Printed Electrical Cable Duct.
*Network Rail PADS approved.

Ridgicoil couplings & seals

| Ridgicoil Couplings | | | Ridgicoil Seals | | |
|---------------------|---------|----------|-----------------|---------|----------|
| OD mm | Code | Pack qty | OD mm | Code | Pack qty |
| 40 | RCC40 | 10 | 40 | RCS40 | 10 |
| 50 | RCC50 | 10 | 50 | RCS50 | 10 |
| 63 | RCC63* | 10 | 63 | RCS63* | 10 |
| 75 | RCC75 | 10 | 75 | RCS75 | 10 |
| 90 | RCC90 | 10 | 90 | RCS90 | 10 |
| 110 | RCC110* | 10 | 110 | RCS110* | 10 |
| 160 | RCC160 | 10 | 160 | RCS160 | 10 |

*Network Rail PADS approved

| Ridgiduct Black Long Radius Drawn Bends | | | | |
|-----------------------------------------|----------------|--------|-----------------|----------|
| ID mm | Bend radius mm | Angle | Code | Pack qty |
| 94mm | 420 | 11.25° | RBDB94X11X0.42 | 10 |
| | 420 | 22.5° | RBDB94X22X0.42 | 10 |
| | 420 | 45° | RBDB94X45X0.42 | 7 |
| | 420 | 90° | RBDB94X90X0.42 | 7 |
| 100mm | 420 | 11.25° | RBDB100X11X0.42 | 10 |
| | 420 | 22.5° | RBDB100X22X0.42 | 10 |
| | 420 | 45° | RBDB100X45X0.42 | 7 |
| | 420 | 90° | RBDB100X90X0.42 | 7 |
| 125mm | 600 | 11.25° | RBDB125X11X0.6 | 7 |
| | 600 | 22.5° | RBDB125X22X0.6 | 7 |
| | 600 | 45° | RBDB125X45X0.6 | 4 |
| | 600 | 90° | RBDB125X90X0.6 | 3 |
| 150mm | 610 | 11.25° | RBDB150X11X0.61 | 5 |
| | 610 | 22.5° | RBDB150X22X0.61 | 5 |
| | 610 | 45° | RBDB150X45X0.61 | 4 |
| | 610 | 90° | RBDB150X90X0.61 | 3 |

| Ridgiduct Power Split Duct | | | | |
|----------------------------|-------|----------|------------|----------|
| ID mm | OD mm | Length m | Code | Pack qty |
| 100 | 118 | 1 | RB100X15 ▲ | 85 |
| 100 | 118 | 3 | RB100X35 ▲ | 85 |
| 125 | 148 | 1 | RB125X15 ▲ | 46 |
| 125 | 148 | 3 | RB125X35 ▲ | 46 |
| 150 | 178 | 1 | RB150X15 ▲ | 36 |
| 150 | 178 | 3 | RB150X35 ▲ | 36 |

▲ Made to order and subject to lead times.

| Ridgiduct Split Duct Fittings | | | |
|-------------------------------|-------|---------|----------|
| Description | ID mm | Code | Pack qty |
| 100mm Coupling | 100 | CRBS100 | 10 |
| 150mm Coupling | 150 | CRBS150 | 10 |

| Ridgiduct to PVCu Connectors | | |
|---------------------------------------------|-------------------|----------|
| Description | Code | Pack qty |
| SOCKET TO SPIGOT | | |
| 100mm Ridgiduct socket to 110mm PVCu spigot | ARD100110 | 10 |
| 150mm Ridgiduct socket to 160mm PVCu spigot | ARD150160 | 10 |
| SOCKET TO SOCKET | | |
| 100mm Ridgiduct socket to 110mm PVCu socket | ARD100110 & UG401 | 10 |
| 150mm Ridgiduct socket to 160mm PVCu socket | ARD150160 & UG601 | 10 |

| Cable Guard | | | | |
|-----------------|-------------|-----------|------------|----------|
| Diameter inches | Diameter mm | Length ft | Code | Pack qty |
| 0.75 | 19 | 10 | CG002X10 ▲ | 25 |
| 1.0 | 25 | 10 | CG003X10 ▲ | 25 |
| 1.5 | 38 | 10 | CG004X10 ▲ | 10 |
| 2.0 | 50 | 10 | CG005X10 ▲ | 10 |
| 2.5 | 64 | 10 | CG006X10 ▲ | 10 |
| 3.0 | 80 | 10 | CG007X10 ▲ | 5 |
| 4.0 | 100 | 10 | CG008X10 ▲ | 5 |

▲ Made to order and subject to lead times.

| Hockey Sticks | | | | |
|----------------------------|---------|--------|---------------|----------|
| Utility provider | Size mm | Colour | Code | Pack qty |
| UK Power Networks | 39 | Black | HSPV020BLACK | 25 |
| SSE | 38 | Black | HSPV017SEBBLK | 25 |
| SSE | 38 | White | HSPV017WHITE | 25 |
| Western Power Distribution | 37 | White | HSPV016WHITE | 25 |



Ridgiduct power split duct

Ridgiduct power split duct is mainly used as retrofit ducting for existing cables.



ARD150160



ARD100110



Cable guard



Hockey stick

Power - General purpose (not ENATS compliant)

General Purpose Duct

General Purpose Duct is an integrally socketed duct manufactured from PVCu. It is a cost-effective alternative to higher specification systems for use in light and medium duty applications. The General Purpose Duct system also includes a range of bends, junctions, hockey sticks and end caps. The system is manufactured to traditional accepted dimensions, but does not meet the requirements of BS EN 61386-24:2010. General Purpose Duct is not suitable for Highways England applications and will require a better standard of installation than more robust systems for successful performance. For BBA HAPAS approved power ducting, please see [Ridgiduct Power on page 114](#).



| General Purpose Duct | | | | | |
|----------------------|-------|-------------------|----------|--------|----------|
| OD inches | OD mm | Wall thickness mm | Length m | Code | Pack qty |
| 2 | 54 | 1.5 - 1.7 | 6 | GP2X6B | 400 |
| 3 | 89 | 1.8 - 2.2 | 6 | GP3X6B | 144 |
| 4 | 114 | 1.8 - 2.1 | 6 | GP4X6B | 86 |
| 6 | 168 | 2.2 - 2.9 | 6 | GP6X6B | 36 |
| 8 | 206 | 3.2 - 3.6 | 6 | GP8X6B | 25 |

General purpose ducting lengths include integral socket.
Note: This product comes in colour grey to black for both pipe and fittings.
All sizes are nominal.



General purpose bend

| General Purpose Bends | | | | | |
|-----------------------|-------|-----------|--------|-----------|----------|
| Diameter inches | OD mm | Radius mm | Angle | Code | Pack qty |
| 2 | 54 | 225 | 11.25° | GPB2X11 ▲ | 60 |
| 2 | 54 | 225 | 22.5° | GPB2X22 ▲ | 60 |
| 2 | 54 | 225 | 45° | GPB2X45 | 60 |
| 2 | 54 | 225 | 90° | GPB2X90 | 50 |
| 3 | 89 | 350 | 11.25° | GPB3X11 ▲ | 25 |
| 3 | 89 | 350 | 22.5° | GPB3X22 ▲ | 25 |
| 3 | 89 | 350 | 45° | GPB3X45 | 15 |
| 3 | 89 | 350 | 90° | GPB3X90 | 10 |
| 4 | 114 | 460 | 11.25° | GPB4X11 ▲ | 10 |
| 4 | 114 | 460 | 22.5° | GPB4X22 ▲ | 10 |
| 4 | 114 | 460 | 45° | GPB4X45 | 10 |
| 4 | 114 | 460 | 90° | GPB4X90 | 7 |
| 6 | 168 | 610 | 11.25° | GPB6X11 ▲ | 3 |
| 6 | 168 | 610 | 22.5° | GPB6X22 ▲ | 3 |
| 6 | 168 | 610 | 45° | GPB6X45 | 3 |
| 6 | 168 | 610 | 90° | GPB6X90 | 3 |
| 8 | 206 | 900 | 11.25° | GPB8X11 ▲ | 1 |
| 8 | 206 | 900 | 22.5° | GPB8X22 ▲ | 1 |
| 8 | 206 | 900 | 45° | GPB8X45 | 1 |
| 8 | 206 | 900 | 90° | GPB8X90 | 1 |

▲ Made to order and subject to lead times.
Note: This product comes in colour grey to black for both pipe and fittings.

General Purpose Hockey Sticks, Junctions, End Caps

| Diameter inches | Diameter mm | Code | Pack qty |
|-----------------|-------------|------------|----------|
| HOCKEY STICKS | | | |
| 2 | 54 | GPHS2 ▲ | 25 |
| CONNECTORS | | | |
| 2 | 54 | GPC2 | 10 |
| 3 | 89 | GPC3 | 60 |
| 4 | 114 | GPC4 | 40 |
| 6 | 168 | GPC6 | 15 |
| 8 | 206 | GPC8 | 1 |
| 45° JUNCTIONS | | | |
| 2 | 54 | GPJY2X45 ▲ | 1 |
| 3 | 89 | GPJY3X45 ▲ | 1 |
| 4 | 114 | GPJY4X45 ▲ | 1 |
| 6 | 168 | GPJY6X45 ▲ | 1 |
| 8 | 206 | GPJY8X45 ▲ | 1 |
| 90° JUNCTIONS | | | |
| 2 | 54 | GPJT2X90 ▲ | 1 |
| 3 | 89 | GPJT3X90 ▲ | 1 |
| 4 | 114 | GPJT4X90 ▲ | 1 |
| 6 | 168 | GPJT6X90 ▲ | 1 |
| 8 | 206 | GPJT8X90 ▲ | 1 |
| END CAPS | | | |
| 2 | 54 | GPEC2 | 10 |
| 3 | 89 | GPEC3 | 10 |
| 4 | 114 | GPEC4 | 10 |
| 6 | 168 | GPEC6 | 10 |
| 8 | 206 | GPEC8 | 10 |

▲ Made to order and subject to lead times.



General purpose Hockey stick



General purpose 45° Junction



General purpose 90° Junction



General purpose End cap

Suretwin

Suretwin is a twinwall cost-effective alternative to conventional cable protection systems where a BBA or ENATS compliant duct is not required. The Suretwin system is currently available in 150mm diameter and meets the stiffness and normal duty impact requirements of BS EN 61386-24:2010, Type 450 only.

| Suretwin | | | | |
|----------|-------|----------|-----------|----------|
| ID mm | OD mm | Length m | Code | Pack qty |
| 150 | 178 | 6 | GPT150X6B | 36 |



Suretwin Duct

Motorway Communications

Ridgiduct Motorway Communications

We are able to offer Ridgiduct Motorway Communications 94, 100 and 150mm as a sealed system specifically designed for motorway communications applications. Manufactured from HDPE, Ridgiduct is fully integrated with Polypipe access boxes (refer to Lighting section, [page 122](#)). It complies with BS EN 61386-24:2010, certifying 450N normal duty compression performance at 23°C and meets the requirements of Series 1500 Specification for Highway Works.



Ridgiduct Motorway Communications key benefits

- IP47 rated sealed system (watertight up to 1 metre)
- BBA HAPAS certified as a fully sealed system
- Complies with BS EN 61386-24:2010, Type 450N, normal duty impact resistance
- Network Rail PADS approved
- Print options available
- Can be used for trenchless applications
- Low weight, flexible, durable and high strength
- Good impact resistance even at lower temperatures

Ridgiduct Motorway Communications Duct

| ID mm | OD mm | Length m | Code | Pack qty |
|-------|-------|----------|----------------|----------|
| 94 | 110 | 6 | RB94X6PMCPE/1 | 95 |
| 100 | 118 | 6 | RB100X6PMCPE | 85 |
| 150 | 178 | 6 | RB150X6PMCPE ▲ | 36 |

▲ Made to order and subject to lead times.
Conforms to Highways Agency Specification for sealed systems.
Please order couplings and seals separately, as listed below.
For Scottish market printed Motorway Comms/Power.
Other print options available.



PA05/05875



Ridgiduct Couplings and Seals

| ID mm | Coupling code | Seal code |
|-------|---------------|-----------|
| 94 | CRD94 | SRD94/1 |
| 100 | CRD100 | SRD100 |
| 150 | CRD150 | SRD150 |

1 coupling and 2 seals per joint.
EPDM seals to BS EN 681:Part 1 as standard. Optional nitrile seals are available, but may be subject to order quantities and lead times.



Ridgiduct coupling

ENATS
(12-24)



Ridgiduct sealing rings

EPDM seals to BS EN 681:Part 1 as standard.
Optional nitrile seals are available, but may be subject to order quantities and lead times.



PA05/05460

Ridgiduct Black Long Radius Drawn Bends

| ID mm | Bend radius mm | Angle | Code | Pack qty |
|-------|----------------|--------|-----------------|----------|
| 94mm | 420 | 11.25° | RBDB94X11X0.42 | 10 |
| | 420 | 22.5° | RBDB94X22X0.42 | 10 |
| | 420 | 45° | RBDB94X45X0.42 | 7 |
| | 420 | 90° | RBDB94X90X0.42 | 7 |
| 100mm | 420 | 11.25° | RBDB100X11X0.42 | 10 |
| | 420 | 22.5° | RBDB100X22X0.42 | 10 |
| | 420 | 45° | RBDB100X45X0.42 | 7 |
| | 420 | 90° | RBDB100X90X0.42 | 7 |
| 125mm | 600 | 11.25° | RBDB125X11X0.6 | 7 |
| | 600 | 22.5° | RBDB125X22X0.6 | 7 |
| | 600 | 45° | RBDB125X45X0.6 | 4 |
| | 600 | 90° | RBDB125X90X0.6 | 3 |
| 150mm | 610 | 11.25° | RBDB150X11X0.61 | 5 |
| | 610 | 22.5° | RBDB150X22X0.61 | 5 |
| | 610 | 45° | RBDB150X45X0.61 | 4 |
| | 610 | 90° | RBDB150X90X0.61 | 3 |

Note: Ridgiduct bends come in black only, but can be used with all colours within the Ridgiduct range.



Ridgiduct bend

Comtite™ Ducting Plug

Comtite™ cable protection plugs, when used in conjunction with the insertable cable grommets, ensures full compliance with the requirements of Series 1500 Specification for Highway Works (MCHW) and is the only transit system accredited by the BBA for motorway communications. When used with Ridgiduct Motorway Communication duct, it completes a certified sealed system.



Comtite™ Ducting Plug

| Description | Code | Pack qty |
|---------------------------------------------|----------|----------|
| 94mm plug | DP94 ▲ | 40 |
| 100mm plug | DP100 ▲ | 40 |
| Blanking grommet with rope attachment point | DPG0 ▲ | 10 |
| 9mm grommet | DPG9 ▲ | 10 |
| 12mm grommet | DPG12 ▲ | 10 |
| 14mm grommet | DPG14 ▲ | 10 |
| 16mm grommet | DPG16 ▲ | 10 |
| 18mm grommet | DPG18 ▲ | 10 |
| 21mm grommet | DPG21 ▲ | 10 |
| 24mm grommet | DPG24 ▲ | 10 |
| 27mm grommet | DPG27 ▲ | 10 |
| 4 x 9mm grommet | DPG9X4 ▲ | 10 |
| 7 x 9mm grommet | DPG9X7 ▲ | 10 |

▲ Made to order and subject to lead times.
4 grommets required per plug. In order to achieve a sealed plug, use a blanking grommet where cable grommet is not required.
Patented product.



Comtite™ Ducting Plug key benefits

- IP47 rated sealed system (watertight up to 1 metre)
- BBA HAPAS approved
- Allows for rapid fitting, both new and retrofit
- Integral test valve
- Design resists ejection from the cable protection
- All 4 ports can be utilised by the use of an additional draw cord bracket
- Blanking grommet with rope attachment point

Motorway Communications

Ridgicoil Motorway Communications

Ridgicoil is a coiled twinwall cable protection duct, manufactured from polyethylene with an excellent impact resistance even at low temperatures. It has exceptional durability and flexibility, which eliminates the need for specialist bends. With a smooth bore, Ridgicoil has a low co-efficient of friction for ease of cable installation.



Ridgicoil Motorway Communications key benefits

- Complies with BS EN 61386-24:2010, Type 450N, normal duty impact resistance
- Network Rail PADS approved
- Ease of use and transportation
- Long coil lengths for reduced jointing
- Flexibility of coiled duct eliminates the need for specialist bends
- Integral coupling
- Factory installed polypropylene twine and coupling
- Optional sealing rings for sealed system
- Low weight, high strength
- Can be used for trenchless applications

| Ridgicoil Motorway Communications Duct | | | |
|----------------------------------------|-------|----------|--------------|
| ID mm | OD mm | Length m | Code |
| 50 | 63 | 50 | RC63X50PMCP |
| 94 | 110 | 50 | RC110X50PMCP |



Duct Spacers

High quality injection moulded spacers are available to secure multiple installations of all 94 and 100mm diameter ducts. The unique modular design enables multiple configurations to be assembled. Duct spacers comply with the requirements of MCHW 1530.



Duct spacers

| Duct Spacers | | | |
|------------------------------------------|------------|----------|----------|
| Description | Duct ID mm | Code | Pack qty |
| 2 way Duct Spacer (to suit 110mm O.D.) ▲ | 94 | RBS110X2 | 50 |
| 4 way Duct Spacer (to suit 110mm O.D.) | 94 | RBS110X4 | 25 |
| 6 way Duct Spacer (to suit 110mm O.D.) ▲ | 94 | RBS110X6 | 12 |
| 2 way Duct Spacer (to suit 118mm O.D.) ▲ | 100 | RBS118X2 | 50 |
| 4 way Duct Spacer (to suit 118mm O.D.) | 100 | RBS118X4 | 25 |
| 6 way Duct Spacer (to suit 118mm O.D.) ▲ | 100 | RBS118X6 | 12 |

▲ Made to order and subject to lead times.
Note: Highways England requires 1 per metre.

Draw cord

Draw cord is manufactured from high quality polypropylene to a nominal breaking strength of 5kN.



Draw cord

| Draw Cord | | |
|-------------------------------|------------|-------|
| Description | Pallet qty | Code |
| 6mm dia. x 220m | 160 | DC220 |
| 6mm dia. x 500m (wooden drum) | 72 | DC500 |

Special note for applications subject to Highways England requirements

It should be noted that a number of versions of the Manual of Contract Documents for Highway Works are in use and individual contracts can be subject to substantial variation. Suitability should always be checked with the overseeing organisation. Products selected should be BBA approved or meet the requirements of Table 5/2 unless exceptional requirements demand an alternative. It should also be noted that there are differences between requirements for ducts in Series 500 and 1500 of the Specification for Highway Works.

Lighting

Ridgiduct Lighting

Ridgiduct Lighting is a twinwall, low weight, flexible cable protection system, specially manufactured from HDPE in orange for use in street lighting and traffic signal applications. A full range of access and junction boxes, bends, reducers and adaptors are available.



| Ridgiduct Lighting Duct | | | | |
|-------------------------|-------|----------|----------------------|----------|
| ID mm | OD mm | Length m | Code | Pack qty |
| 94 | 110 | 6 | RB94X6O(SL or TS) | 95 |
| 100 | 118 | 6 | RB100X6O(SL or TS) ▲ | 85 |
| 150 | 178 | 6 | RB150X6O(SL or TS) | 36 |

▲ Made to order and subject to lead times.
Available with street lighting (SL) or traffic signal (TS) print. Please specify with order.



Ridgiduct Lighting key benefits

- Complies with BS EN 61386-24:2010, Type 450N, normal duty impact resistance
- BBA and BBA HAPAS approved
- Network Rail PADS approved
- Good impact resistance, even at low temperatures
- Flexible in application, with a minimal requirement for special bends
- Available with print options for street lighting and traffic signals
- Supplied with an integral coupling
- Low weight, flexible, durable and high strength

Lighting



Ridgiduct coupling

ENATS
(12-24)



Ridgiduct sealing rings

EPDM seals to BS EN 681:Part 1 as standard. Optional nitrile seals are available, but may be subject to order quantities and lead times.



PA05/05460



Ridgiduct bend

| Ridgiduct Couplings and Seals | | |
|-------------------------------|---------------|-----------|
| ID mm | Coupling code | Seal code |
| 94 | CRD94 | SRD94/1 |
| 100 | CRD100 | SRD100 |
| 150 | CRD150 | SRD150 |

1 coupling and 2 seals per joint. EPDM seals to BS EN 681:Part 1 as standard. Optional nitrile seals are available, but may be subject to order quantities and lead times.

| Ridgiduct Black Long Radius Drawn Bends | | | | |
|-----------------------------------------|----------------|--------|-----------------|----------|
| ID mm | Bend radius mm | Angle | Code | Pack qty |
| 94mm | 420 | 11.25° | RBDB94X11X0.42 | 10 |
| | 420 | 22.5° | RBDB94X22X0.42 | 10 |
| | 420 | 45° | RBDB94X45X0.42 | 7 |
| | 420 | 90° | RBDB94X90X0.42 | 7 |
| 100mm | 420 | 11.25° | RBDB100X11X0.42 | 10 |
| | 420 | 22.5° | RBDB100X22X0.42 | 10 |
| | 420 | 45° | RBDB100X45X0.42 | 7 |
| | 420 | 90° | RBDB100X90X0.42 | 7 |
| 125mm | 600 | 11.25° | RBDB125X11X0.6 | 7 |
| | 600 | 22.5° | RBDB125X22X0.6 | 7 |
| | 600 | 45° | RBDB125X45X0.6 | 4 |
| | 600 | 90° | RBDB125X90X0.6 | 3 |
| 150mm | 610 | 11.25° | RBDB150X11X0.61 | 5 |
| | 610 | 22.5° | RBDB150X22X0.61 | 5 |
| | 610 | 45° | RBDB150X45X0.61 | 4 |
| | 610 | 90° | RBDB150X90X0.61 | 3 |

Note: Ridgiduct bends come in black only, but can be used with all colours within the Ridgiduct range.

| Polyduct Lighting Duct | | | | | |
|------------------------|-------|-------------------|----------|----------------------|----------|
| ID mm | OD mm | Wall thickness mm | Length m | Code | Pack qty |
| 50 | 60 | 5 | 6 | PD5060X60(TS or SL) | 250 |
| 97 | 107 | 5 | 6 | PD97107X60(TS or SL) | 85 |

Available with street lighting (SL) or traffic signal (TS) print. Please specify with order.

| Polyduct Lighting Bends | | | | |
|-------------------------|-------|-----------|------------|----------|
| OD mm | Angle | Radius mm | Code | Pack qty |
| 60 | 45° | 350 | PDB60X450 | 25 |
| 60 | 90° | 225 | PDB60X900 | 25 |
| 107 | 45° | 450 | PDB107X450 | 1 |
| 107 | 90° | 450 | PDB107X900 | 1 |



Polyduct Lighting



Polyduct Lighting bend

Ridgicoil Lighting

Ridgicoil is a coiled, twinwall cable protection duct, manufactured from polyethylene with an excellent impact resistance even at low temperatures. It has exceptional durability and flexibility, which eliminates the need for specialist bends. With a smooth bore, Ridgicoil has a low co-efficient of friction for ease of cable installation.



| Ridgicoil Lighting Duct | | | |
|-------------------------|-------|----------|---------------------|
| ID mm | OD mm | Length m | Code |
| 50 | 63 | 50 | RC63X50O(SL or TS) |
| 94 | 110 | 50 | RC110X50O(SL or TS) |

Available with street lighting (SL) or traffic signal (TS) print. Please specify with order.



PA05/05875

Ridgicoil couplings & seals

| Ridgicoil Couplings | | | Ridgicoil Seals | | |
|---------------------|---------|----------|-----------------|---------|----------|
| OD mm | Code | Pack qty | OD mm | Code | Pack qty |
| 63 | RCC63* | 10 | 63 | RCS63* | 10 |
| 110 | RCC110* | 10 | 110 | RCS110* | 10 |

*Network Rail PADS approved



Ridgicoil coupling



Ridgicoil seals



PA05/05875

Ridgicoil Lighting key benefits

- Complies with BS EN 61386-24:2010, Type 450N, normal duty impact resistance
- Network Rail PADS approved
- Ease of use and transportation
- Long coil lengths for reduced jointing
- Factory installed polypropylene twine and coupling
- Low weight high strength
- Can be used for trenchless applications

Scottish Lighting

Lighting in Scotland has specific requirements and for this purpose we manufacture a single wall cable protection range. Supplied with 1 coupling fitted per length, our Scottish lighting system is available in 60mm and 100mm diameter coils.



Scottish Lighting Coil

| Scottish Lighting Purple Cable Protection & Fittings | | | |
|------------------------------------------------------|----------|-------|------------------|
| Description | Size mm | ID mm | Code |
| SCOTTISH LIGHTING SINGLE WALL CORRUGATED | | | |
| 100m Scottish Lighting coil | 60 | 53 | SSL60X100P ▲ |
| 40m Scottish Lighting coil | 100 | 90 | SSL100X40P ▲ |
| SCOTTISH LIGHTING JUNCTION BOXES | | | |
| | 100 | | SSLJB100 ▲ |
| SCOTTISH LIGHTING COUPLINGS | | | |
| | 60 | | DC60 ▲ |
| | 100 | | DC100M ▲ |
| SCOTTISH LIGHTING REDUCERS | | | |
| Slotted | 100 X 60 | | SSLR100X60Slot ▲ |
| Unslotted | 100 X 60 | | SSLR100X60 ▲ |
| SCOTTISH LIGHTING END CAP | | | |
| | 100 | | SSLEC4PIN |

▲ Made to order and subject to lead times. Purple as standard. Other colours available on request. Minimum order 50 coils.



Scottish Lighting end cap



Scottish Lighting slotted reducer



Scottish Lighting coupling

Lighting

Pole boxes

The range of 4 pole boxes is available in 290 x 275mm and 450 x 450mm sizes, incorporating integral housings for 114 and 140mm poles and are manufactured from polyethylene. The pole box provides 450mm depth of cover as standard, extendable if required using modular access boxes as rising sections.

Pole boxes and access boxes key benefits

- Robust, single-piece injection or rotational mouldings
- High strength, structured wall construction
- Manufactured in impact resistant polyethylene for installation in all conditions
- Corrosion free and chemical resistant material
- Ultraviolet light resistant material, suitable for extended storage periods
- Light, easy to handle, transport and install
- Modular construction, allowing access boxes to be used as rising sections as required
- Pre-trepanned points of entry to accommodate 54, 63, 110 and 118mm outside diameter ducting
- Can also be stacked



| Pole Boxes | | | | | | | |
|-------------|-------------|-----------|----------|----------|----------|----------|--------------------|
| Code | Description | Height mm | Opening | | External | | Pole housing ID mm |
| | | | Width mm | Depth mm | Width mm | Depth mm | |
| PB2902751 ▲ | 290 x 275 | 615 | 320 | 305 | 690 | 415 | 114 |
| PB2902752 ▲ | 290 x 275 | 615 | 320 | 305 | 690 | 415 | 140 |
| PB4504501 ▲ | 450 x 450 | 605 | 465 | 465 | 875 | 600 | 114 |
| PB4504502 ▲ | 450 x 450 | 605 | 465 | 465 | 875 | 600 | 140 |

▲ Made to order and subject to lead times.
The clear opening for boxes is greater than the clear opening for frames.

Access boxes

Access boxes are available in 5 sizes, from 290 x 275mm to 600 x 600mm to allow access to cabling.

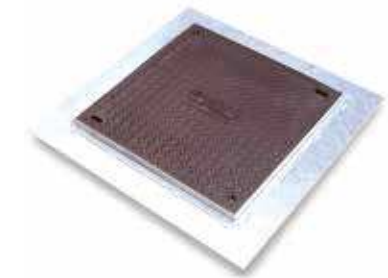


| Access Boxes | | | | | | | |
|--------------|-------------|-----------|----------|----------|----------|----------|----------|
| Code | Description | Height mm | Opening | | External | | Depth mm |
| | | | Width mm | Depth mm | Width mm | Depth mm | |
| AC2902751 | 290 x 275 | 307 | 320 | 310 | 385 | 375 | |
| AC4503001 | 450 x 300 | 305 | 485 | 330 | 550 | 395 | |
| AC4504501 | 450 x 450 | 330 | 475 | 475 | 545 | 545 | |
| AC6004501 | 600 x 450 | 320 | 635 | 485 | 700 | 550 | |
| AC6006001 | 600 x 600 | 320 | 635 | 635 | 700 | 700 | |

The clear opening for boxes is greater than the clear opening for frames.
See the relevant tables for details of clear opening frames.

Composite covers

Advanced skid resistance composite covers are available for the range of pole and access boxes. Manufactured in high strength, fibre-reinforced polyester resin and to BS EN 124 Class B 125.



Composite cover

| Composite Covers | | Composite Cover Frames | |
|------------------|-----------------|------------------------|-----------------|
| Code | Nominal size mm | Code | Nominal size mm |
| CC290275 | 290 x 275 | CCF290275L | 290 x 275 |
| CC450300 | 450 x 300 | CCF450300L | 450 x 300 |
| CC450450 | 450 x 450 | CCF450450L | 450 x 450 |
| CC600450 | 600 x 450 | CCF600450L | 600 x 450 |
| CC600600 | 600 x 600 | CCF600600L | 600 x 600 |

A locking frame is required and must be ordered separately.

Galvanised steel covers

Galvanised steel covers and frames are manufactured to the FACTA (Fabricated Access Cover Trade Association) Class B specification, equivalent to BS EN 124 Class B 125. Typical places of installation include areas subject to slow moving wheel loads, including footways, pedestrian areas, car parks and verges.



Galvanised steel cover

| Galvanised Steel Covers & Frames | |
|----------------------------------|-----------------|
| Code | Nominal size mm |
| GCF290275 | 290 x 275 |
| GCF450300 | 450 x 300 |
| GCF450450 | 450 x 450 |
| GCF600450 | 600 x 450 |
| GCF600600 | 600 x 600 |

Ductile iron covers and frames

Ductile iron access box covers are manufactured to BS EN 124 Class B 125.



Ductile iron cover

| Ductile Iron Covers & Frames | |
|------------------------------|------------------|
| Code | Clear opening mm |
| DCF450450 ▲ | 450 x 450 |
| DCF600450 ▲ | 600 x 450 |
| DCF600600 ▲ | 600 x 600 |

▲ Made to order and subject to lead times.

Utilities

Our range of utility ducting is available in a variety of NJUG classification colours to provide cable protection for electricity, street lighting, motorway communications, gas, water, cable TV and telecommunications.



KEY - Typical NJUG colour coding

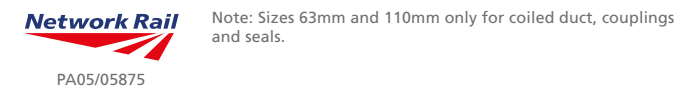
| | |
|-----------------------------------------|--------------------------------|
| Black (B) - Electricity | Yellow (Y) - Gas |
| Orange (O) - Street Lighting | Blue (BL) - Water |
| Purple (P) - Street Lighting (Scotland) | Green (G) - Cable Television |
| Purple (P) - Motorway Communications | Grey (GR) - Telecommunications |

Ridgicoil Utilities

Ridgicoil is a strong yet flexible alternative to conventional twinwall ducting manufactured from polyethylene for underground utilities. Ridgicoil's flexibility eliminates the need for special bends and the smooth bore has a low co-efficient of friction for ease of cable installation.

| ID mm | OD mm | Length m | Code | Colours |
|-------|-------|----------|------------|--------------|
| 31 | 40 | 50 | RC40X50 | B |
| 40 | 50 | 50 | RC50X50 | B Y BL |
| 50 | 63 | 50 | RC63X50** | B Y BL O G P |
| 60 | 75 | 50 | RC75X50 | B |
| 71 | 90 | 50 | RC90X50 | B |
| 94 | 110 | 50 | RC110X50** | B Y BL O G P |
| 140 | 160 | 25 | RC160X25 | B |

*Please check the requirements of the utility company, who may stipulate a requirement for perforated duct. For perforated duct please see Gas Ducting on page 127.
**Network Rail PADS approved.



Ridgicoil couplings & seals

| Ridgicoil Couplings | | | Ridgicoil Seals | | |
|---------------------|---------|----------|-----------------|---------|----------|
| OD mm | Code | Pack qty | OD mm | Code | Pack qty |
| 40 | RCC40 | 10 | 40 | RCS40 | 10 |
| 50 | RCC50 | 10 | 50 | RCS50 | 10 |
| 63 | RCC63* | 10 | 63 | RCS63* | 10 |
| 160 | RCC160 | 10 | 75 | RCS75 | 10 |
| 75 | RCC75 | 10 | 90 | RCS90 | 10 |
| 90 | RCC90 | 10 | 110 | RCS110* | 10 |
| 110 | RCC110* | 10 | 160 | RCS160 | 10 |

*Network Rail PADS approved



Ridgicoil coupling



Ridgicoil seals

Ridgiduct Utilities

Ridgiduct is a lightweight, twinwall cable protection system that can be manufactured in a range of NJUG classification colours, from HDPE, to meet the cable protection needs of all utilities applications.



| ID mm | OD mm | Length m | Code | Colours | Pack qty |
|-------|-------|----------|-----------|--------------|----------|
| 94 | 110 | 6 | RB94X6 | B Y BL O G P | 95 |
| 100 | 118 | 6 | RB100X6 | B Y BL O G P | 85 |
| 125 | 148 | 6 | RB125X6 | B *** | 46 |
| 150 | 178 | 6 | RB150X6 | B Y BL O G P | 36 |
| 225 | 266 | 6 | RB225X6** | B Y BL | 14 |
| 300 | 354 | 6 | RB300X6** | B Y BL | 9 |

*Please check the requirements of the utility company, who may stipulate a requirement for perforated duct. For perforated duct please see Gas Ducting below.
Not BBA approved. *Not Network Rail PADS approved.



Ridgiduct couplings

| ID mm | Coupling code | Sealed system |
|-------|---------------|-----------------|
| 94 | RBC94 | CRD94 & SRD94/1 |
| 100 | RBC100 | CRD100 & SRD100 |
| 125 | RBC125 | N/A |
| 150 | RBC150 | CRD150 & SRD150 |
| 225 | CRD225 | CRD225 & SRD225 |
| 300 | CRD300 | CRD300 & SRD300 |

* For a Sealed system 1 CRD coupling and 2 SRD seals required per joint.

Ridgiduct Utilities key benefits

- Complies with BS EN 61386-24:2010, Type 450N, normal duty impact resistance
- BBA HAPAS approved
- Network Rail PADS approved
- Low weight, flexible, durable and high strength
- Good impact resistance at low temperatures
- Available from stock
- Available in a range of colours which comply with NJUG classifications
- Supplied with an integral coupling
- Print options available



ENATS (12-24)

Ridgiduct coupling

Utilities



Ridgiduct bend

| Ridgiduct Black Long Radius Drawn Bends | | | | |
|-----------------------------------------|----------------|--------|-----------------|----------|
| ID mm | Bend radius mm | Angle | Code | Pack qty |
| 94mm | 420 | 11.25° | RBDB94X11X0.42 | 10 |
| | 420 | 22.5° | RBDB94X22X0.42 | 10 |
| | 420 | 45° | RBDB94X45X0.42 | 7 |
| | 420 | 90° | RBDB94X90X0.42 | 7 |
| 100mm | 420 | 11.25° | RBDB100X11X0.42 | 10 |
| | 420 | 22.5° | RBDB100X22X0.42 | 10 |
| | 420 | 45° | RBDB100X45X0.42 | 7 |
| | 420 | 90° | RBDB100X90X0.42 | 7 |
| 125mm | 600 | 11.25° | RBDB125X11X0.6 | 7 |
| | 600 | 22.5° | RBDB125X22X0.6 | 7 |
| | 600 | 45° | RBDB125X45X0.6 | 4 |
| | 600 | 90° | RBDB125X90X0.6 | 3 |
| 150mm | 610 | 11.25° | RBDB150X11X0.61 | 5 |
| | 610 | 22.5° | RBDB150X22X0.61 | 5 |
| | 610 | 45° | RBDB150X45X0.61 | 4 |
| | 610 | 90° | RBDB150X90X0.61 | 3 |

Note: Ridgiduct bends come in black only, but can be used with all colours within the Ridgiduct range.

Gas Ducting

Our Gas Ducting is a PVCu single wall perforated duct, supplied in yellow and manufactured to BS 4962. The perforations allow for gas to vent safely in the event of a leak. Gas Ducting is suitable for applications where utility companies stipulate the requirement for a perforated duct for the insertion of a gas pipe.



Gas ducting

| Gas Ducting | | | | |
|-------------|----------|-------------|-------------|---------------|
| OD mm | Length m | Description | Code | Coupling code |
| 60 | 25 | Perforated | LD6025YGAS | DC60 |
| 60 | 50 | Perforated | LD6050YGAS | DC60 |
| 60 | 150 | Perforated | LD60150YGAS | DC60 |
| 100 | 25 | Perforated | LD10025YGAS | DC100M* |
| 100 | 50 | Perforated | LD10050YGAS | DC100M* |

*Made from polypropylene, other couplings are made from PVCu.

Ducting accessories



Single socket fixed bellmouth



Plastic end cap

| Ridgiduct Accessories | | |
|-------------------------------|-----------|----------|
| Size mm | Code | Pack qty |
| SINGLE SOCKET FIXED BELLMOUTH | | |
| 94 | RBBM94 ▲ | 1 |
| 100 | RBBM100 ▲ | 1 |
| 125 | RBBM125 ▲ | 1 |
| 150 | RBBM150 ▲ | 1 |
| PLASTIC END CAP | | |
| 94 | RBEC94 | 1 |
| 100 | EC1059 | 1 |
| 125 | EC3051 | 1 |
| 150 | EC1778 | 1 |

▲ Made to order and subject to lead times. End caps may be red or yellow.

PVCu Cable TV Duct

A range of specialist PVCu telecommunications ducting systems, manufactured in accordance with dimensions and performance requirements tried and tested by the telecommunications industry.



| PVCu Cable TV Duct | | | | | |
|--------------------|-------|----------|--------|---------|----------|
| ID mm | OD mm | Length m | Code | Colours | Pack qty |
| 49 | 54 | 6 | TD54X6 | G GR ▲ | 400 |
| 90 | 96.5 | 6 | TD96X6 | G GR * | 121 |

▲ Made to order and subject to lead times. Available in green (G) or grey (GR). Please specify with order. *90mm green and grey duct meet the requirements of BS EN 50086.

| PVCu Cable TV Swept Tees | | | |
|--------------------------|------------|---------|----------|
| Description | Code | Colours | Pack qty |
| 96 x 54mm | TDJT96X54G | G ▲ | 15 |

▲ Made to order and subject to lead times.

| PVCu Cable TV Bends | | | | |
|---------------------|--------|--------------------|---------|----------|
| OD mm | Angle | Code | Colours | Pack qty |
| 54 | 11.25° | TDB54X11G | G ▲ | 60 |
| 54 | 22.5° | TDB54X22G | G ▲ | 60 |
| 54 | 45° | TDB54X45G | G ▲ | 60 |
| 54 | 90° | TDB54X90G | G ▲ | 50 |
| 96.5 | 11.25° | TDB96X11 (G or GR) | G GR ▲ | 15 |
| 96.5 | 22.5° | TDB96X22 (G or GR) | G GR ▲ | 15 |
| 96.5 | 45° | TDB96X45 (G or GR) | G GR ▲ | 15 |
| 96.5 | 90° | TDB96X90 (G or GR) | G GR ▲ | 10 |

▲ Made to order and subject to lead times. Available in green (G) or grey (GR). Please specify with order.



PVCu Cable TV bend

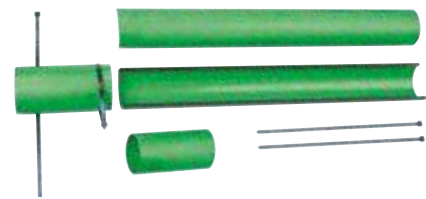
PVCu Cable TV Duct key benefits

- Durable, high quality construction
- Low co-efficient of friction for easy cable installation
- A short 54mm branch on swept tees for trouble-free installation in congested footways
- PVCu telecommunication ducts include integral sockets and are available in green as standard. Grey and other colours are also available on request subject to minimum order quantities and lead times

Utilities



PVCu Cable TV coupling



PVCu Cable TV duct repair kit

| PVCu Cable TV Couplings | | | |
|-------------------------|---------|---------|----------|
| Description | Code | Colours | Pack qty |
| 54mm | TDC54G | G ▲ | 10 |
| 54mm slip | TDSC54G | G ▲ | 10 |
| 96mm | TDC96G | G ▲ | 50 |
| 96mm slip | TDSC96G | G ▲ | 50 |

▲ Made to order and subject to lead times.

| PVCu Cable TV Duct Repair Kit | | | |
|-------------------------------|-------------------|----------|----------|
| Description | Standard length m | Code | Pack qty |
| 96.5mm duct repair kit | 0.5 | DRK096 ▲ | 1 |

▲ Made to order and subject to lead times. Components for repairing sections of damaged duct.

PVCu specification and utility ducts

Our specification and utility ducts are widely and successfully used for the carriage of all types of services in a range of applications including industrial, domestic and commercial. Specification ducts are more robust than General Purpose Duct. PVCu utility ducts were the first widely available thermoplastic ducts and are available in a number of different sizes to suit all common specification requirements.

PVCu specification and utility duct key benefits

- 110 and 160mm utility ducting for electrical cables, water services, telecommunications and gas services
- 110 and 160mm OD Type 4660 ducting in dimensional compliance with BS 4660 available sealed and unsealed

| Type 4660 Non-Sealed Duct | | | |
|---------------------------|----------|------------|----------|
| OD mm | Length m | Code | Pack qty |
| 110 | 6 | SD110X6B ▲ | 95 |
| 160 | 6 | SD160X6B ▲ | 46 |

▲ Made to order and subject to lead times. (Dimensions compliant only)

| Type 4660 Couplings | | |
|---------------------|----------|----------|
| ID mm | Code | Pack qty |
| 110 | SDC110 ▲ | 1 |
| 160 | SDC160 ▲ | 1 |

▲ Made to order and subject to lead times. Grey to black in colour as standard, other colours available on request.

| Type 4660 Bends | | | |
|-----------------|--------|-------------|----------|
| OD mm | Angle | Code | Pack qty |
| 110 | 11.25° | SDB110X11 ▲ | 1 |
| 110 | 22.5° | SDB110X22 ▲ | 1 |
| 110 | 45° | SDB110X45 ▲ | 1 |
| 110 | 90° | SDB110X90 ▲ | 1 |
| 160 | 11.25° | SDB160X11 ▲ | 1 |
| 160 | 22.5° | SDB160X22 ▲ | 1 |
| 160 | 45° | SDB160X45 ▲ | 1 |
| 160 | 90° | SDB160X90 ▲ | 1 |

▲ Made to order and subject to lead times. Grey to black in colour as standard, other colours available on request.

| Type BS4660 Sealed Duct | | | |
|-------------------------|----------|--------------|----------|
| OD mm | Length m | Code | Pack qty |
| 110 | 6 | SD110X6BPE ▲ | 95 |
| 160 | 6 | SD160X6BPE ▲ | 46 |

▲ Made to order and subject to lead times. (Dimensions compliant only)

| Type BS4660 Couplings | | |
|-----------------------|----------|----------|
| ID mm | Code | Pack qty |
| 110 | UG402B ▲ | 1 |
| 160 | UG602B ▲ | 1 |

▲ Made to order and subject to lead times. Note: Order couplings separately.

| Type BS4660 Bends | | | |
|-------------------|-------|---------------|----------|
| OD mm | Angle | Code | Pack qty |
| 110 | 45° | SDB110X45PE ▲ | 1 |
| 110 | 90° | SDB110X90PE ▲ | 1 |
| 160 | 45° | SDB160X45PE ▲ | 1 |
| 160 | 90° | SDB160X90PE ▲ | 1 |

▲ Made to order and subject to lead times.



Type 4660 bend



Type BS4660 coupling



Type BS4660 bend

Installation advice

Installation information

Ridgiduct twinwalled high density polyethylene (HDPE) cable protection must be installed in accordance with general requirements and any additional site requirements. The general requirements are to be in accordance with MCHW, Volume 3, as shown below. Cable protection laid in depths of cover, other than those specified below, must be laid in accordance with the procedures described in the contract with Highways England (HE). Ridgiduct must be adequately protected against damage from site construction traffic and from agricultural or similar operations. When used as cable protection for fibre optic cabling, the recommendations in BS 7718:1996 should be followed.

Procedure (unsealed)

Joints are made by a simple push-fit of one cable protection length into the coupling attached to the adjacent length, ensuring that the connection is fully made. Inspection points can be made in the conventional manner depending upon the type of services to be installed.

Pole and access box installation advice

We recommend that the systems be installed in general accordance with the traffic control signals unit (TCSU) specification. Our pole and access boxes are designed to meet the requirements of the TCSU, making installation easy and trouble-free. Local specifications and requirements may apply.

Covers and frames

Access box covers and frames should meet the requirements of BS EN 124 Class B 125. In carriageways or other locations where vehicles may run over access boxes, heavier grades of cover may be required.

General

In footways, cable protection for signal post cables and linking cables must have minimum cover depths of 450mm and 250mm respectively. The minimum depth of cover in carriageways is 600mm. Subject to local cable protection specification, cable protection should be bedded on 100mm of compacted bedding material. Cable protection lengths must be continuous and fully jointed, with the printing placed uppermost when laying.

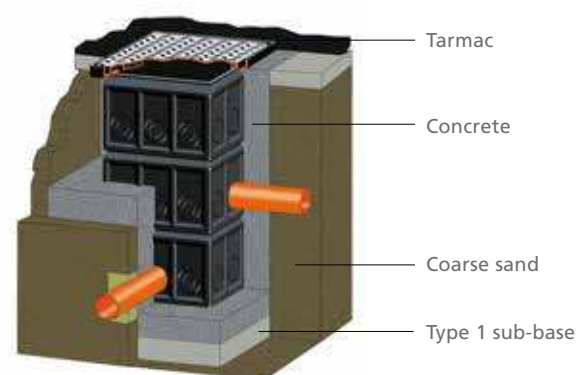
Suitable surround material should also be used to fill any voids between multiple cable protection and should extend to 100mm above the cable protection. Polypropylene draw cords should be provided in each cable protection with no knots or joints and should extend a minimum of 1 metre into each access box.

Pole and access boxes

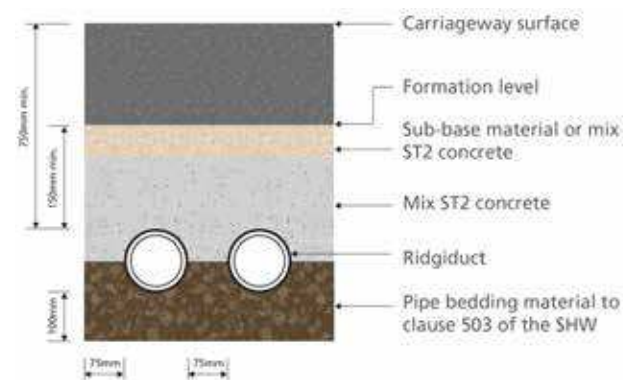
Cable protection ducting is easily connected to the selected entry point. The pre-trepanned section for the size of cable protection to be used can be cut out with a knife or hole saw. The cable protection should be inserted through the opening and cut to length. Boxes that may be subject to traffic loading are typically installed as illustrated.

Typical installations

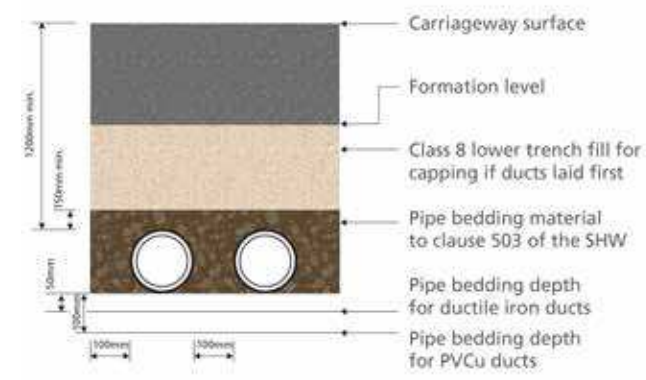
Typical installation of a 450 x 450mm Access box subject to vehicle traffic



Typical unsealed standard duct installations type A shallow ducts (750 - 1200mm cover)



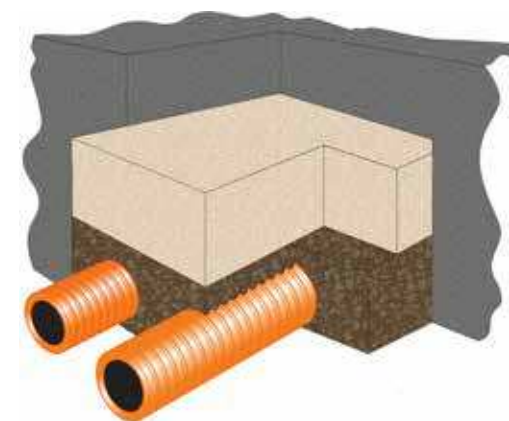
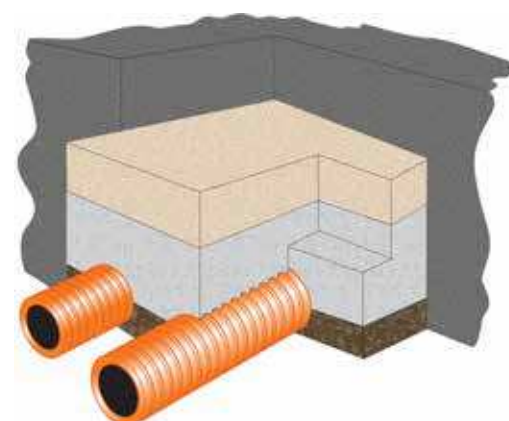
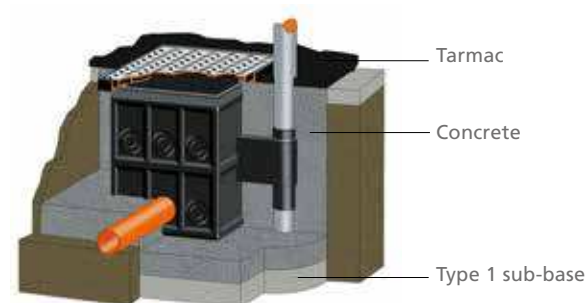
Type B deep cuts (over 1200mm cover)



Minimum clearance between duct and drain



Typical installation of a Polypipe 450 x 450mm Pole box



Motorway Communications installations should be in accordance with MCHW Series 1500. Please call our Technical Team on +44 (0) 1509 615100 for more information on installation details, multiple duct configurations and sealed systems.