

TTGI1

HEAT-SHRINKABLE SINGLE CORE XLPE INDOOR TERMINATION

Up to 36 kV

- 6/10 (12) kV**
- 6.35/11 (12) kV**
- 12/20 (24) kV**
- 12.7/22 (24) kV**
- 18/30 (36) kV**
- 19/33 (36) kV**

Application

Heat-shrinkable terminations for polymeric cables, are widely used by power utilities and in industrial applications. For use indoor in controlled environmental conditions.

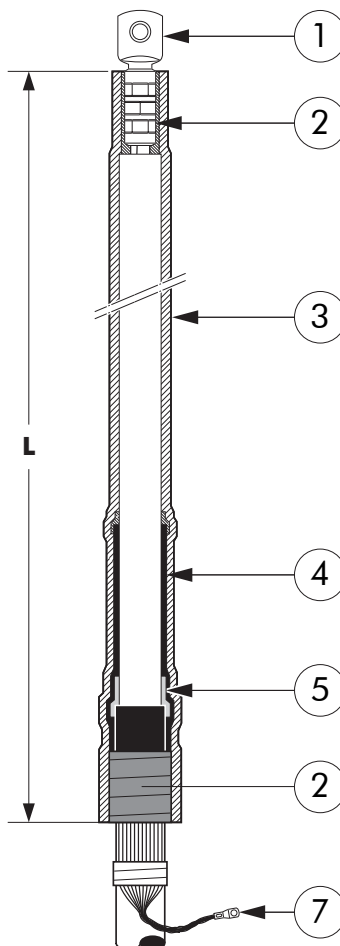
Design

1. Cable lug (supplied on request).
2. Water sealing mastic.
3. Anti-tracking heat-shrinkable tube.
4. Stress control heat-shrinkable tube.
5. Stress control mastic.
6. Anti-tracking shed (only for 36TTGI1).
7. Earthing lug.

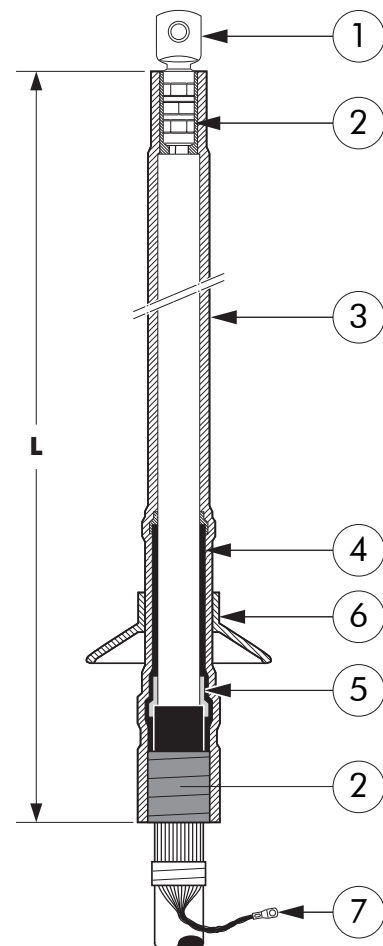
Specifications and standards

Meets the requirements of CENELEC HD 629.1 and IEC 60502-4.

17TTGI1 & 24TTGI1



36TTGI1



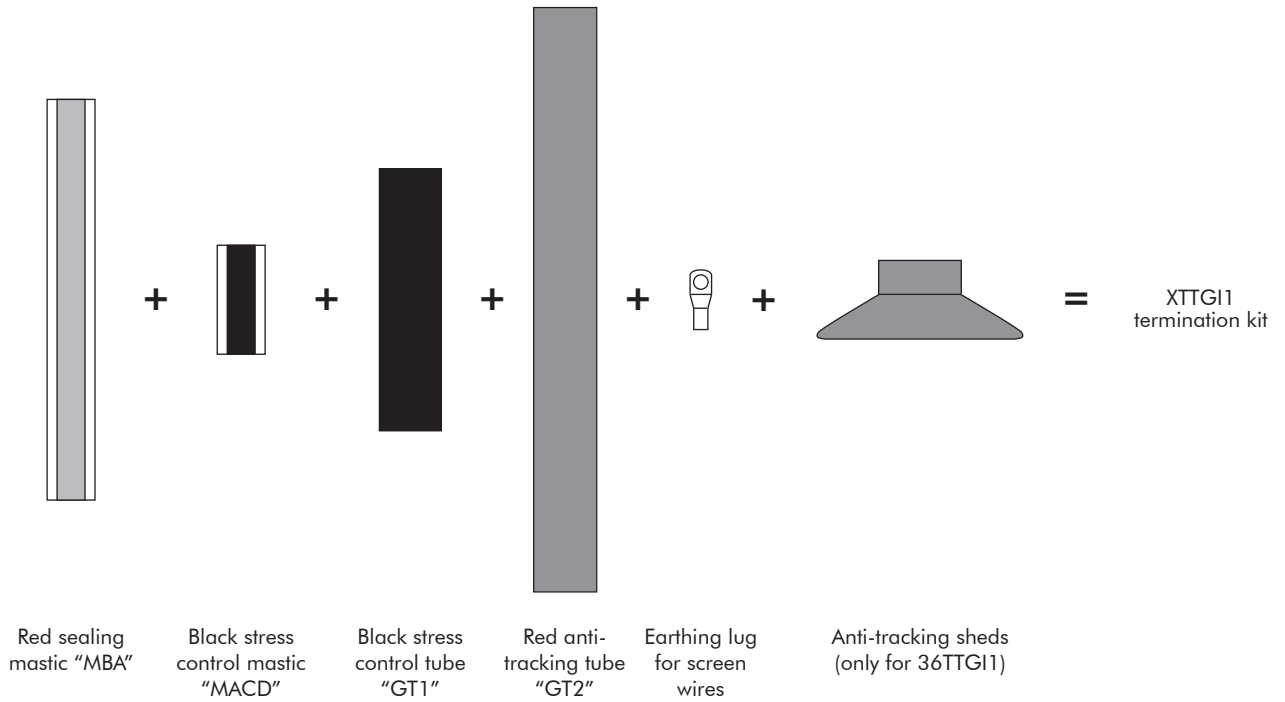
| Termination type | Voltage Um (kV) | Length "L" (mm) | Conductor sizes (mm ²) | |
|------------------|-----------------|-----------------|------------------------------------|------|
| | | | min. | max. |
| 17TTGI1 | 12 | 480 | 25 | 630 |
| 24TTGI1 | 24 | 520 | 25 | 630 |
| 36TTGI1 | 36 | 620 | 35 | 630 |

08/2007

Kit contents

The complete TTGI1 termination kit comprises the following components:

The kit also comprises installation instructions.



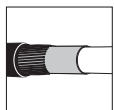
Ordering instructions

Select the part number corresponding to both system voltage and conductor size.

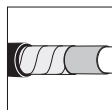
Example:

An indoor termination for a 24 kV, 150 mm² stranded aluminium cable with copper wire screen is requested, without cable lug.
Order: 3 x 24TTGI1.240i.

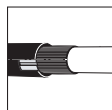
| Ordering part number | Voltage U ₀ /U (kV) | Conductor size range (mm ²) | |
|----------------------|--------------------------------|---|------|
| | | min. | max. |
| 17TTGI1.50i | 6/10 & 6.35/11 | 25 | 50 |
| 17TTGI1.120i | 6/10 & 6.35/11 | 70 | 120 |
| 17TTGI1.300i | 6/10 & 6.35/11 | 150 | 300 |
| 17TTGI1.630i | 6/10 & 6.35/11 | 400 | 630 |
| 24TTGI1.95i | 12/20 & 12.7/22 | 25 | 95 |
| 24TTGI1.240i | 12/20 & 12.7/22 | 50 | 240 |
| 24TTGI1.630i | 12/20 & 12.7/22 | 300 | 630 |
| 36TTGI1.120i | 18/30 & 19/33 | 35 | 120 |
| 36TTGI1.300i | 18/30 & 19/33 | 150 | 300 |
| 36TTGI1.630i | 18/30 & 19/33 | 400 | 630 |



For use with copper wire screened cables. An earthing lug is included.



For use with copper tape screened cables. Order: -Ai instead of -i (e.g. 24TTGI1.240Ai).



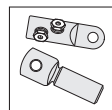
For use with aluminium tape screened cables (C 33-226). Please contact our representative.



For use with three-core cables: see TTGI3.



For use with other cables. Please contact our representative.



Can be supplied with all common types of cable lugs.