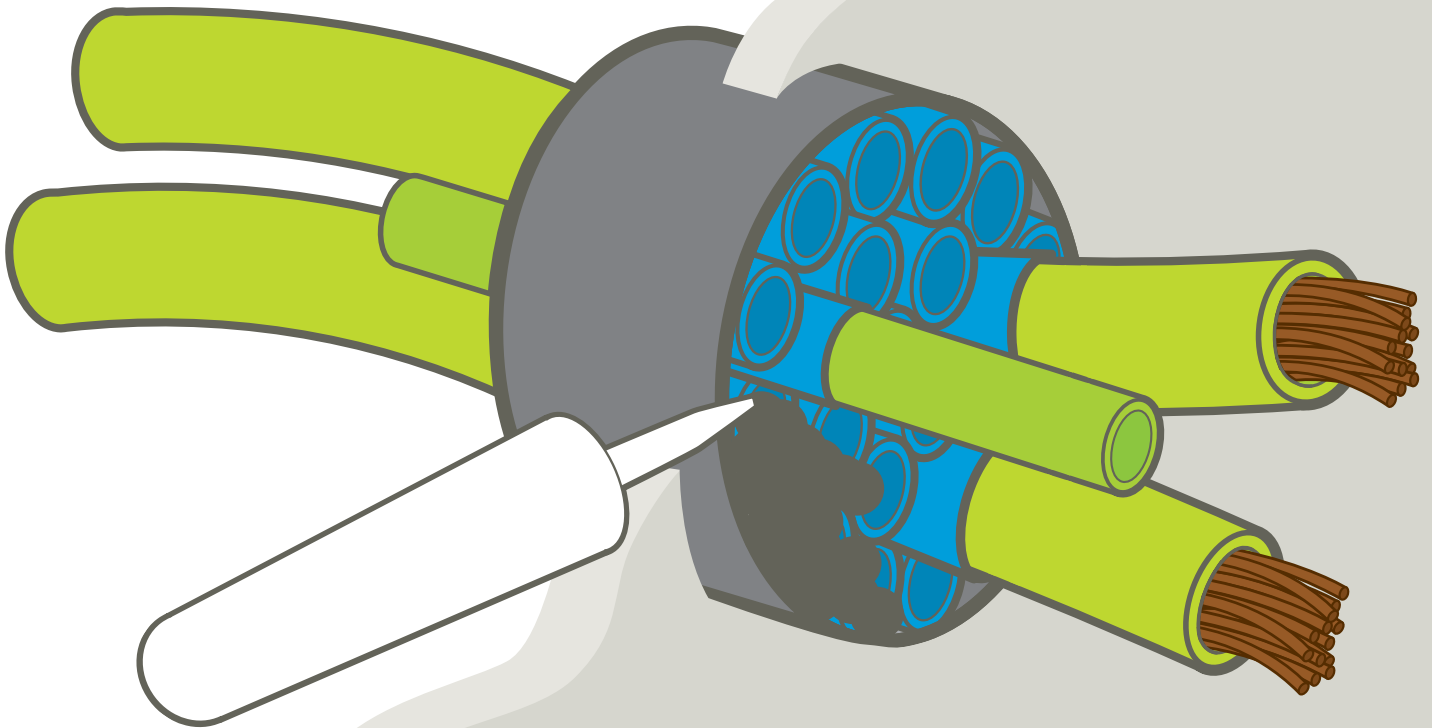


RISE

Multi Cable and Pipe Duct Sealing System.



“...an effective and simple solution to gastight and watertight sealing requirements.”



THORNE &
DERRICK
INTERNATIONAL

Thorne & Derrick

+44 (0) 191 410 4292

www.powerandcables.com

Features.

Simple and effective

The original RISE Duct Sealing system is a multi-cable duct sealing system which continues to provide an effective and simple solution to all watertight and gastight duct sealing requirements but uses our individual RISE split Insert sleeves rather than the innovative NOFIRNO multi sleeves used in the NOFIRNO system.

Few components

The RISE WG system consists of only 2 components; blue RISE split rubber insert sleeves, used to guarantee cable separation and pack any free space within a cable transit and FIWA Sealant, a high quality silicone based fire resistant and water repellent sealant. The simplicity of the system makes installation easy.

Gas and water tight

The RISE Sealing system is a high performing water seal and gastight seal and will withstand high pressures of up to 1.5 bar (22psi) when installed

correctly. This high performance has been witnessed in many applications during both approval testing and site installation but only when using both insert sleeves and sealant together.

If the RISE insert sleeves are not used you will always find it difficult to achieve cable separation and therefore leave potential leak paths for gas or water ingress. The sleeves not only provide a good sound and long term backing to the sealant layer but also ensure the cables are supported and separated from each other and do not touch the inside of the cable duct.

Installation

The range of RISE Duct Sealing systems are designed to be fast and simple to install, making it easier to achieve an effective gas tight and water tight seal. Full installation instructions are available for the RISE WG Duct Sealing system and we also have on our website our instructional RISE WG Duct Seal installation video.

We have a range of standard duct kits

available to suit the most popular sized ducts as well as the full range of installation tools needed to ensure simple installation of our RISE Duct Seal system.

We can provide installation advice, support and training to help ensure that you are fully equipped for the task.

Future expansion or removing cables

Installing additional cables is a simple process. The 20mm soft rubber layer of sealant is cored to expose one of the empty RISE insert sleeves. The new cable is passed through one of these empty sleeves and sealant is then applied around the new cable and finished in the usual way. There is no need to disassemble the whole transit to maintain the water and gastight properties.

Benefits.

Ensures DSEAR compliance

WIMES compliant

Few components

Tested to prove no deterioration in performance for more than 50 years.

Suitable for trefoil cables

Resistant to Methane, Hydrogen Sulphide and Chlorine

No frame required

Ease of re-entry for adding cables

Quick and easy to install

Provides flood protection and protects against gas ingress.

Cost-effective

Resistant to submersion in petrol, diesel and synthetic transmission oils

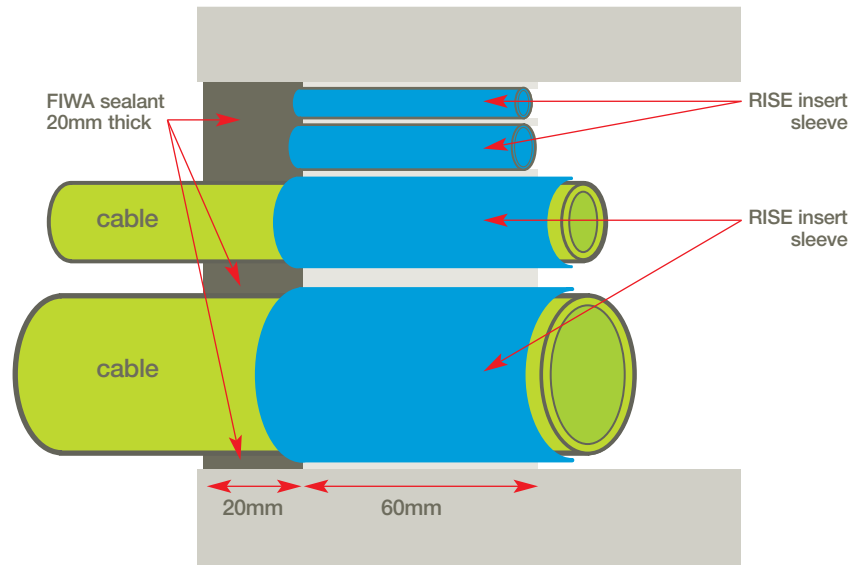
Ensures ATEX compliance

Installation layout.

Onshore application.

Gastight and watertight

The elasticity and high bonding strength of FIWA sealant offers a flexible seal, which resists movement, shock and vibration, as well as high pressure. The RISE rubber insert sleeves are applied to provide cable separation and a backing for the application of the FIWA sealant. For gastight and watertight applications, our standard 60mm RISE sleeve is sufficient.



- 20mm layer FIWA (or NOFIRNO) sealant
- 60mm RISE insert sleeves
- Certified Pressure Resistance – 1.5 bar
- WIMES, DSEAR, ATEX & APEA compliant

Standard RISE kits – order table.

REQUIREMENT	SIZE	ORDER CODE
GASTIGHT/WATERTIGHT	3 X 50MM DUCTS	RISEDUCT3X50WG
GASTIGHT/WATERTIGHT	100MM DUCT	RISEDUCT100WG
GASTIGHT/WATERTIGHT	125MM DUCT	RISEDUCT125WG
GASTIGHT/WATERTIGHT	150MM DUCT	RISEDUCT150WG

NOTE: RISE can be used to suit **ANY** size opening. If the above standard selection does not suit your requirements please contact us.



TOOLS REQUIRED

- High ratio sealant gun
- Long nose pliers
- Approved degreasing wipes
- Cellulose sponges
- Cartridge cutter
- Water spray
- Wooden 20mm depth gauge
- Long cartridge nozzles & angle connectors
- Head torch
- Disposable nitrile gloves

INSTALLATION KITS AVAILABLE

RISE Finishing Kit

(includes water spray, cloths, nitrile gloves, depth gauge)

RISE Full Installation Kit (includes all tools)