

MF4 Hybrid Connectors - 'D' Section



Principle Application:

Stranded and solid shaped service conductors.

Range:

Product Reference	Type	Core C.S.A. (mm ²)	
		Min	Max
MF4/23	Straight Through	6*	16
MF4/26	Straight Through	6*	16
MF4/27	Straight Through	6*	16

Note: For jointing other core configurations/sizes please contact Sicame

The **Hepworth MF4** hybrid range of mechanical connectors are designed for straight connections on stranded or solid service cables. The aluminium connector yoke is electro-tinned as standard and is supplied with brass grub screws making it suitable for jointing copper/aluminium, sector/circular shaped conductors.

MF4 Hybrid Connectors - 'D' Section

Secondary Application:

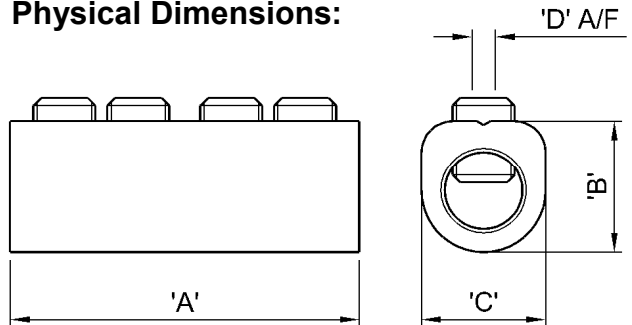
Stranded and solid circular conductors.

Range:

Product Reference	Type	Maximum Core C.S.A. (mm ²)	
		Solid	Stranded
MF4/23	Straight Through	35	35
MF4/26	Straight Through	35	35
MF4/27	Straight Through	35	35

* Note: Conductors below 6mm² should be doubled and, if necessary, doubled again to achieve a satisfactory cross sectional area.

Physical Dimensions:



Product Reference	Dimensions (mm)			
	'A'	'B'	'C'	'D'
MF4/23	35.0	14.0	11.7	3.0
MF4/26	55.0	14.0	11.7	3.0
MF4/27	84.0	14.0	11.7	3.0

Material:

Body: Aluminium Alloy (Tinned)

Screws: Brass

Test Specification:

BS EN 61238-1 : 2003 Compression and Mechanical Connectors for power cables for rated voltages up to 36 kV. Test Methods and Requirements.

Test report numbers—TTR/323, TTR/319, TTR/334

Fitting Instructions:

1. Strip the core insulation equal to the length of the connector + 3mm.
2. Thoroughly abrade and clean all conductors to be jointed.
3. Align cores within connector and tighten screws on each side of the connector consecutively, until tight.

Note: * Conductor cores 4mm² and below should be doubled, and if necessary doubled again, to achieve the necessary cross-sectional area.