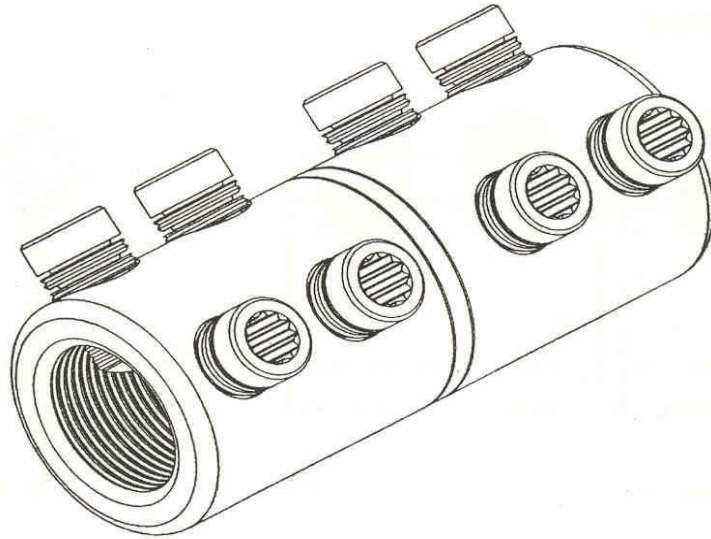


Straight-through
mechanical ferrule with
moisture / contaminant
block

MECHANICAL CONNECTORS



MF8 Connector



Principle Application

Straight jointing of solidal/stranded, aluminium/copper circular conductor cores.

Range

Product Reference	Core c.s.a. (mm ²)	
	Min	Max
MF8	800	1000

Note: For jointing other core configurations/sizes please contact Sicame Technical Dept

The **Hepworth MF8** mechanical ferrule is manufactured from solid aluminium alloy bar, thereby providing an integral moisture/contaminant block. The ferrules also utilise the patented 'universal' range taking shear bolts.



THORNE &
DERRICK
INTERNATIONAL

Thorne & Derrick
+44 (0) 191 410 4292
www.powerandcables.com

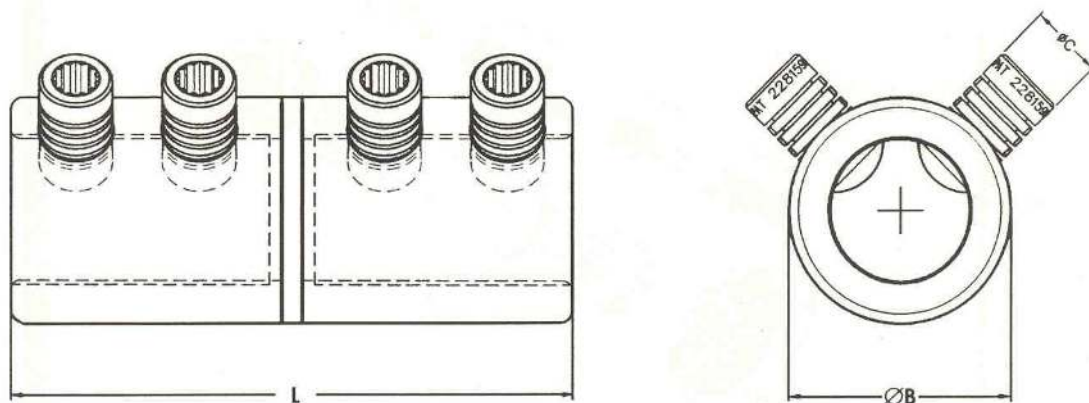
2.01c

Straight-through
mechanical ferrule with
moisture / contaminant
block

MECHANICAL CONNECTORS

MF8 Connector

Physical Dimensions



Product Reference	Dimensions (mm)		
	L	ØB	ØC
MF8	173	64	18

Material

Aluminium Alloy

Fitting instructions

1. Strip insulation from each core equal to the depth of the bore guide + 5mm.
2. Thoroughly abrade exposed conductor cores. (See note)
3. Position the conductor cores within the connector ensuring they are fully located.
4. Fit the universal shear bolts and tighten consecutively one turn at a time until the bolts have sheared.

Note

When jointing copper conductor wrap the supplied brass gauze around the core prior to installation.



THORNE &
DERRICK
INTERNATIONAL

Thorne & Derrick
+44 (0) 191 410 4292
www.powerandcables.com

2.01d