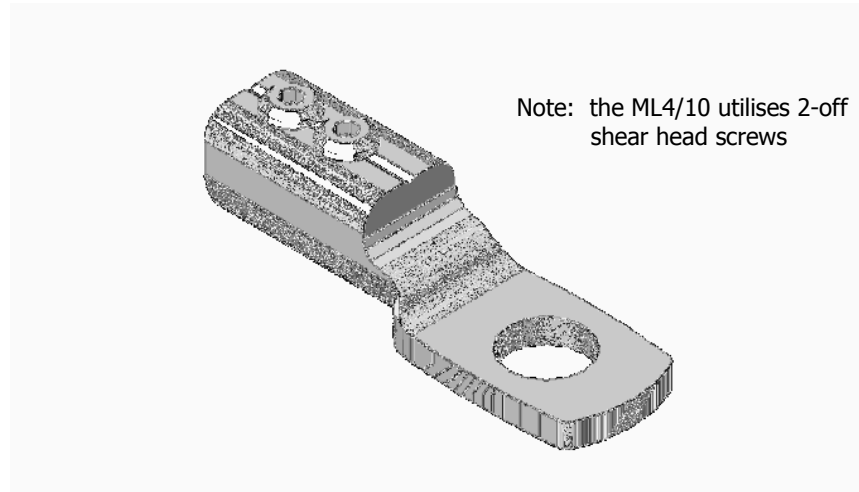


**ML4 Connectors - 'D' & Heatshrink
Section**



Principle Application

Termination of stranded/solid circular cored conductors.

Range

Product Reference	Core csa (mm ²)				Stud Size	Approx. Unit Weight (grams)
	Stranded		Solid			
	Min	Max	Min	Max		
ML4/1-6	6*	25	16	35	M6	
ML4/1-10	6*	25	16	35	M10	
ML4/2-10	16	50	16	70	M10	
ML4/2-12	16	50	16	70	M12	
ML4/9-12	35	70	35	95	M12	
ML4/9-16	35	70	35	95	M16	
ML4/10-12	35	95	35	120	M12	
ML4/10-16	35	95	35	120	M16	

Note: For jointing other core configurations/sizes please contact Sicame Technical Dept

The **Hepworth ML4** range of mechanical connectors are designed for the termination of stranded/solid, circular/shaped conductor cores.

The mechanical lugs are manufactured in copper alloy and suitable for jointing either copper or aluminium cored conductor.

ML4 Connectors - 'D' & Heatshrink Section

Secondary Application

Termination of stranded/solid shaped cored conductors.

Range

Product Reference	Core csa (mm ²)				Stud Size	Approx. Unit Weight (grams)
	Stranded		Solid			
	Min	Max	Min	Max		
ML4/1-6	6*	16	16	16	M6	
ML4/1-10	6*	16	16	16	M10	
ML4/2-10	16	50	16	50	M10	
ML4/2-12	16	50	16	50	M12	
ML4/9-12	35	70	35	50	M12	
ML4/9-16	35	70	35	50	M16	
ML4/10-12	35	70	35	70 (4-C only)	M12	
ML4/10-16	35	70	35	70 (4-C only)	M16	

Note: For jointing other core configurations/sizes please contact Sicame Technical Dept

Material

Copper Alloy

Test Specifications

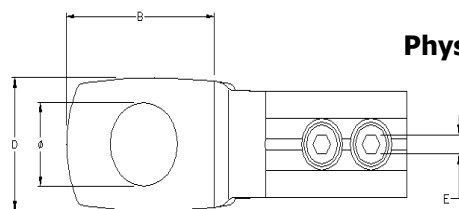
BS4579 : Pt 1 : 1970 &

BS4579 : Pt 3 : 1976

Fitting Instructions

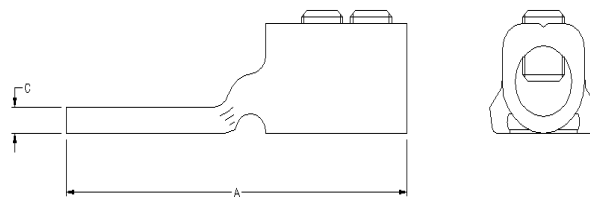
1. Cut the service cables to length and strip the core insulation equal to the length of bore +3mm.
2. Thoroughly abrade the conductor core.
3. Fully insert conductor core within barrel and tighten screws consecutively, until tight.

* Note: Conductor cores below 6mm² should be doubled, and doubled again (if necessary) to achieve a satisfactory cross sectional area.



Physical Dimensions

Note: the ML4/10 utilises 2-off brass shear head screws



Product Reference	Dimensions (mm)					
	A	B	C	D	E (A/F)	Æ
ML4/1-6	58.0	26.0	4.0	15.0	3.0	6.4
ML4/1-10	58.0	26.0	4.0	15.0	3.0	10.5
ML4/2-10	66.0	28.0	4.0	21.0	3.0	10.5
ML4/2-12	66.0	28.0	4.0	21.0	3.0	13.0
ML4/9-12	66.0	28.0	4.0	21.0	3.0	13.0
ML4/9-16	66.0	28.0	4.0	21.0	3.0	16.5
ML4/10-12	84.0	29.0	4.0	21.0	13.0	13.0
ML4/10-16	84.0	29.0	4.0	21.0	13.0	16.5