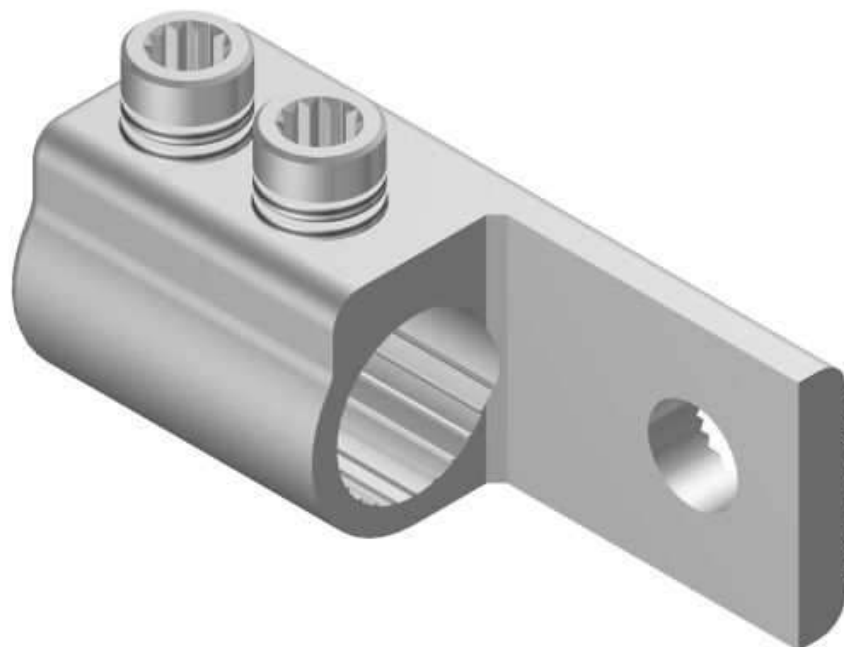


**ML6 Connectors****Principle Application:**

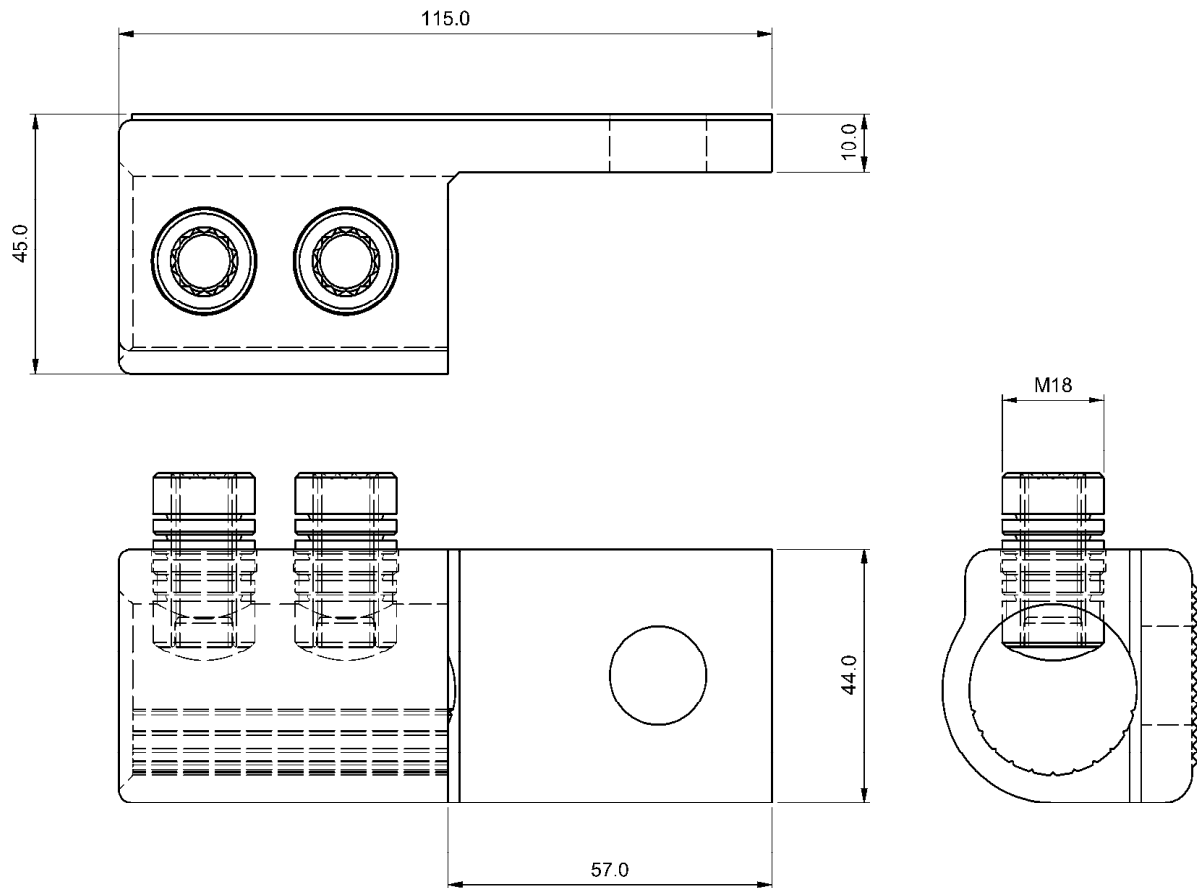
Termination of solid cored conductors.

**Range:**

Product Reference	Stranded Core C.S.A. (mm <sup>2</sup> )		Stud Size
	Min	Max	
ML6-16	480 (4 x 120)	600	M16
ML6-20	480 (4 x 120)	600	M20

**ML6 Connector**

**Physical Dimensions**



**Material:**

Aluminium Alloy