

NET/1 Connectors



Principle Application

The connection of consac cable (aluminium sheath) to waveform cable neutral/earth wires.

Range

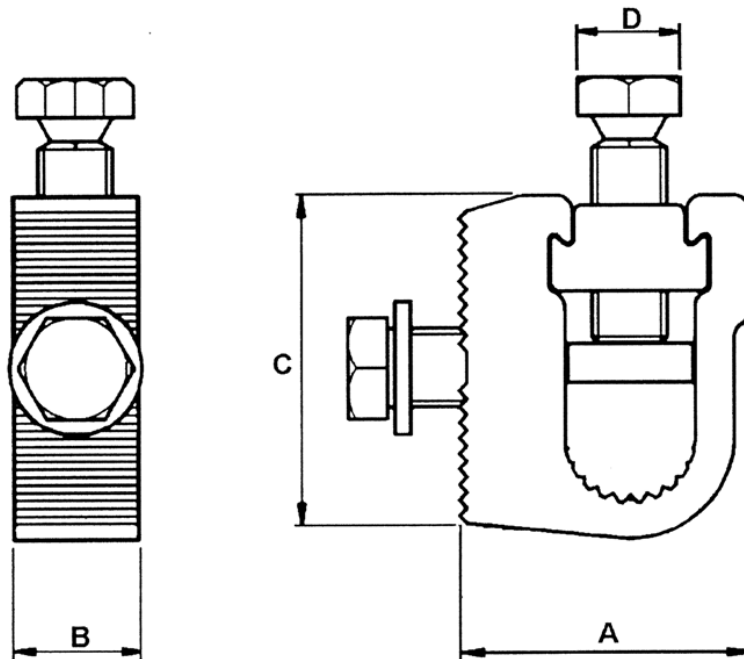
| Product Reference | Conductor c.s.a. (mm ²) | |
|-------------------|-------------------------------------|-----|
| | min | max |
| NET/1 | 40 | 240 |

The Hepworth Neutral/Earth Connector has been designed to connect either stranded copper or stranded aluminium neutral/earth conductors of CNE (waveform) mains distribution cables to the aluminium sheath of CONSAC cable.

All joint configurations can be accommodated dependant on the total cross sectional area of neutral/earth conductor to be jointed.

NET/1 Connectors

Physical Dimensions



| Ref. Code | Dimensions (mm) | | | |
|-----------|-----------------|----|----|----|
| | A | B | C | D |
| NET/1 | 37 | 16 | 44 | 13 |

Material

Body: Brass

Screw: Brass

Test Specification:

To meet the requirements of BS EN 61238-1.

Fitting Instructions:

1. Punch a M10 clearance hole in consac aluminium sheath and assemble connector to sheath.
2. Arrange the CNE conductors into a bunch and where necessary cut the conductors to length.
3. Thoroughly abrade all conductors around the assembly area.
4. Fit the conductors into the yoke, insert the bridge piece and tighten the screw until positive location is achieved.
5. Due to the connector employing a shear head system check for even distribution of the conductors before finally tightening the screw until the head shears.