

### APPLICATION

Separable straight plug designed to connect polymeric insulated cable to cable.

Mates with the elbow, straight and branch joint connectors.

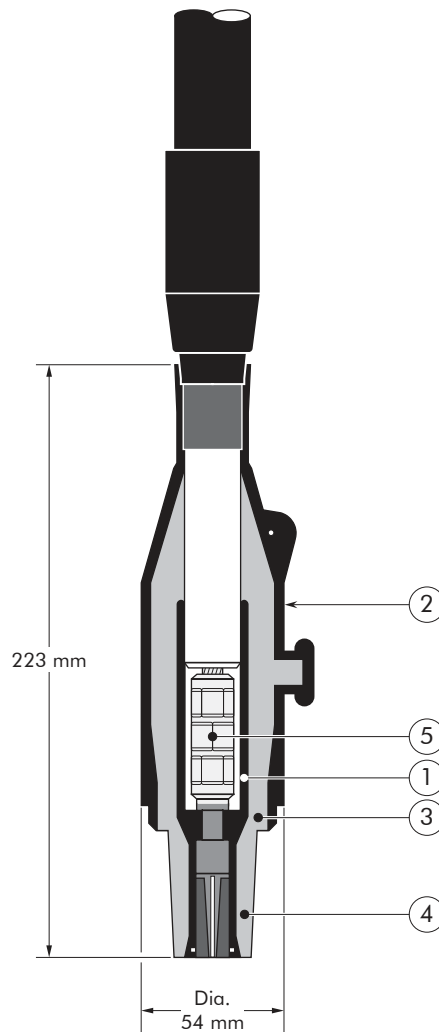
### TECHNICAL CHARACTERISTICS

- The thick conductive EPDM jacket provides a total safe to touch screen which ensures safety for personnel.
- Each straight plug is tested for AC withstand and partial discharge prior to leaving the factory.

### DESIGN

Separable connector comprising:

1. Conductive EPDM insert.
2. Conductive EPDM jacket.
3. Insulating EPDM layer moulded between the insert and the jacket.
4. Type A interface as described by CENELEC EN 50180 and 50181.
5. Conductor connector.



6/10 (12) kV  
6.35/11 (12) kV  
8.7/15 (17.5) kV  
12/20 (24) kV  
12.7/22 (24) kV

**Up to 24 kV - 200 A**

**EUROMOLD®**

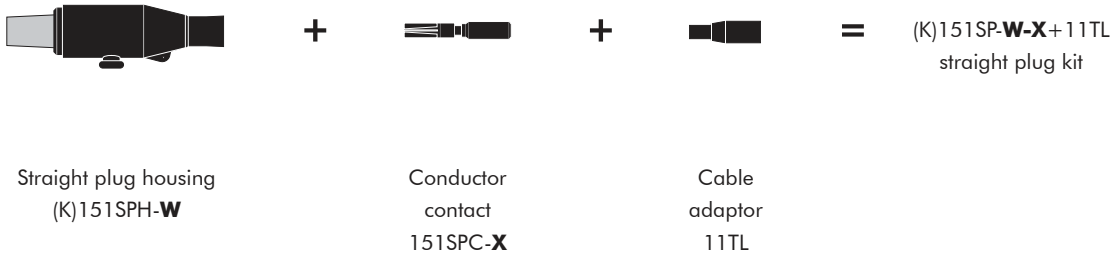
Separable plug type	Voltage $U_m$ (kV)	Current $I_r$ (A)	Conductor sizes (mm <sup>2</sup> )	
			min	max
151SP	12	200	16	95
K151SP	24	200	16	95

05/2017

## KIT CONTENTS

The complete (K)151SP straight plug kit comprises the following components:

The kit also comprises lubricant, wipers, installation instructions and crimp chart.



## ORDERING INSTRUCTIONS

Select the part number which gives the best centring to the cable core insulation diameter and substitute **X** using table X, according to the conductor size and type.  
Add a 'K' for use up to 24 kV.

TABLE W

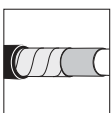
Ordering part number	Dia. over core insulation (mm)	
	min	max
151SP-A-X+11TL-FA/FAB	14.6	18.7
151SP-B-X+11TL-FB/FG	17.2	21.2
151SP-B-X+11TL-GA/GAB	19.7	23.0
151SP-C-X+11TL-GB/GH	22.2	26.4

### EXAMPLE:

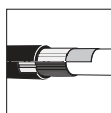
The copper wire screened cable is 12 kV, 50 mm<sup>2</sup> stranded aluminium with a diameter over core insulation of 16.9 mm.  
Order a 151SP-A-50(K)M-12-2+11TL-FA/FAB straight plug kit.

TABLE X

Conductor sizes (mm <sup>2</sup> )	Aluminium		Copper
	DIN hexagonal	Deep indent	DIN hexagonal
16	-	-	16(K)M-11-2
25	25(K)M-12-2	25KM-12-1	25(K)M-11-2
35	35(K)M-12-2	35KM-12-1	35(K)M-11-2
50	50(K)M-12-2	50(K)M-12-1	50(K)M-11-2
70	70(K)M-12-2	70(K)M-12-1	70(K)M-11-2
95	95(K)M-12-2	95(K)M-12-1	95(K)M-11-2



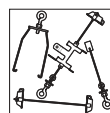
For use with copper tape screened cables.  
Order: Kit MT.



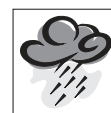
For use with AluPe or C 33-226 cables.  
Please contact our representative.



For use with other cable types.  
Please contact our representative.



For adapted bail restraints: see 'Bail restraints and typical applications'.



For outdoor applications.  
Order: +MWS.



Components can be ordered individually.



**THORNE & DERRICK**  
INTERNATIONAL

**Thorne & Derrick**  
+44 (0) 191 410 4292  
www.powerandcables.com