

### APPLICATION

For use in equipment insulated with oil fluid, typically for transformers, switchgear, capacitors...

### TECHNICAL CHARACTERISTICS

Each bushing is tested for AC withstand and partial discharge prior to leaving the factory.



### DESIGN

The equipment bushing is a moulded epoxy insulated part in accordance with CENELEC EN 50180.

### SPECIFICATIONS AND STANDARDS

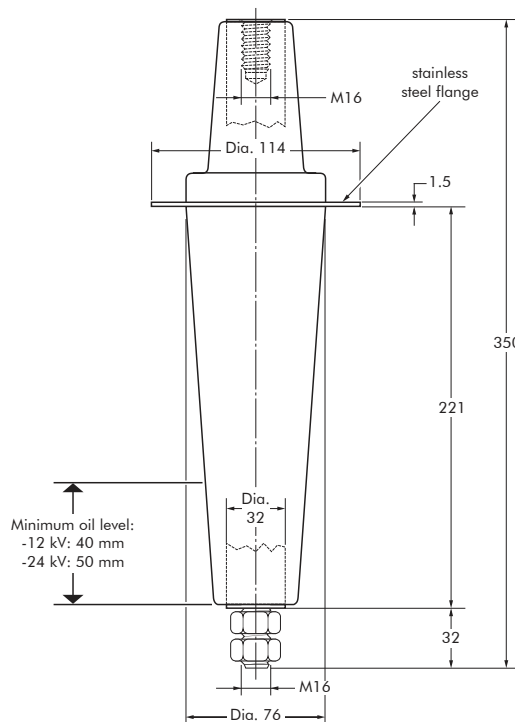
The bolted type equipment bushings 672T1 meet the requirements of IEC 60137.

### ORDERING INSTRUCTIONS

To order the equipment bushing, specify the type.

For use in potentially explosive atmospheres (for 12 kV max.).

Order: -/ATEX.



6/10 (12) kV  
6.35/11 (12) kV  
8.7/15 (17.5) kV  
12/20 (24) kV  
12.7/22 (24) kV

Up to 24 kV - 1250 A

**EUROMOLD®**

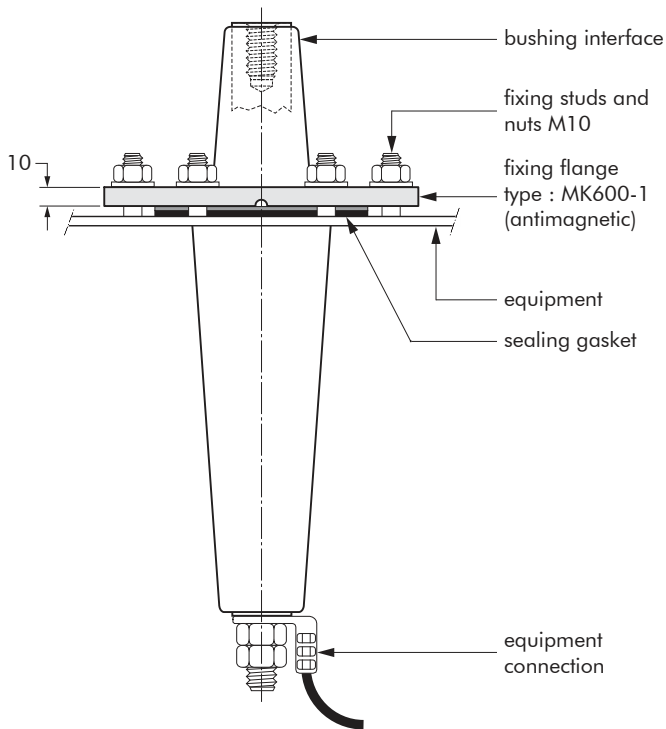
In mm.

Equipment bushing type	Voltage Um (kV)	Current Ir (A)
672T1	12	1250
K672T1	24	1250

05/2017

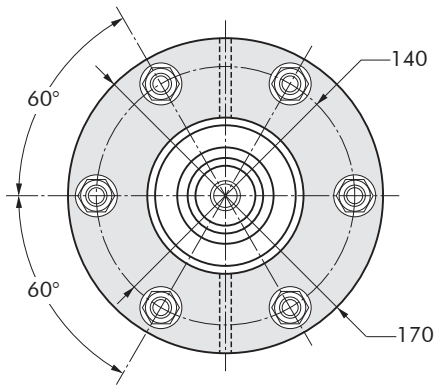
# FIXINGS FOR EQUIPMENT BUSHINGS

## 672T1 BUSHING



## BUSHING FIXING FLANGE

To order the bushing fixing flange, simply specify MK600-1.



In mm.