



PRODUCT RANGE
2019



Thorne & Derrick
+44 (0) 191 410 4292
www.powerandcables.com

RAIL, STRUCTURAL
AND BESPOKE SOLUTIONS?
ASK ANDERTON.

Anderton Concrete is an Ibstock Plc company.
Registered in England.
VAT no: 114102047 Company No: 63230



Welcome to Anderton Concrete

Our comprehensive product range, specialising in solutions for various retaining walls, cable protection and identification products, has been developed to meet virtually all builders merchants' and contractors' needs alike.

With such extensive manufacturing capabilities we have the proficiency to produce either bespoke products or larger volume orders and offering a flexible nationwide delivery service.



Certified by BSI – FM 559191

- **Keystone** (EN 771-3:2011)
- **Slopeloc** (EN 771-3:2011)
- **Stepoc** (EN 15435:2008)

Contents

Rail solutions	Structural solutions
TROUGHING PRODUCTS	RETAINING WALL SYSTEMS
Anderlite™ Troughs and Lids	Stepoc
Anderlite™ 500 Troughs and Lids	Slopeloc
Ander-Fin™ Cable Theft Deterrent	Keystone
Ander-Loc Cable Theft Deterrent	Concrete Block Ancillaries
Ander-Lift Troughing Handling Tool	
Easi-Lift Trough Lid	
Trough Tee	
Lid Tee	
Trough Curved	
Lid Curved	
Trough Transition	
Lid Transition	
COMPLEMENTARY PRODUCTS	
Ballast Boards	
King Boards	
Standard Catchpits	
Matisa Catchpits	
Large Apparatus Case Base	
Small Apparatus Case Base	
Corner Units	
Filler Blocks	
Miscellaneous Rail Products	
Station Platform Materials	
London Underground Products	
	Bespoke solutions
	SPECIALIST APPLICATIONS
	Bespoke offering
	Information
	THE COMPLETE SOLUTION
	Sustainability and Environment
	Health and Safety Policy
	The Istock structure





Rail solutions?
The answer's Anderton.

Up to 30% weight reduction over traditional route systems.



Anderlite is available in 1000mm and 500mm trough sections (not in C/1/6 or C/1/7 sizes)

The Anderlite Troughing System is a lightweight cable route system which combines the strengths and benefits of traditional manufacturing methods, but with a reduction in weight of **up to 30%**.

This revolutionary product offers a cost effective, safer method for cable routing.

Anderlite is approved in the full, traditional C/1 size range allowing a seamless transition from existing ground routes to new route or allowing cost effective, easy maintenance.

Manufactured in the UK, Anderlite is always available to deliver within a few days.

Anderlite reduces the risk of manual handling concerns and minimises labour requirements. The general reduction in the weight of the product reduces transport costs by up to 20%, lessening the carbon footprint for all industry partners and providing cost savings over traditional systems. The unique cementitious mix design utilises up to 7% of recycled materials which reduces the environmental impact of the product. It is easy to install with sufficient mass to avoid pinning.

Reduces transport costs by up to

20%

Up to 7%

recycled materials utilised

- Network Rail Approved
- Cement replacements used to lower embodied CO²
- Up to 30% lighter than traditional systems
- Reduces manual handling concerns
- Cementitious based
- Cost effective in purchase
- Cost effective in installation
- Tried and tested
- Strong, robust, durable
- Long lasting stable installation

- Compatible with existing systems
- Complete range of C/1 sizes
- Unique mix design
- Reduces transport costs by up to 20%
- Optional cable theft deterrent system
- Fire resistant
- Weather resistant
- Resists chemical attack in certain ground conditions
- Anti-static
- Whole life costing solution



Anderlite retains sufficient mass to ensure that once lineside it provides a stable installation that is free from future movement, 'snaking' or disruption brought about from train movement, severe weather conditions or ground movement.

Anderlite concrete is naturally fire resistant. The system also offers the optional benefit of being able to protect cables against theft when used in conjunction with Ander-Loc and Ander-Fin.

Network Rail Approved

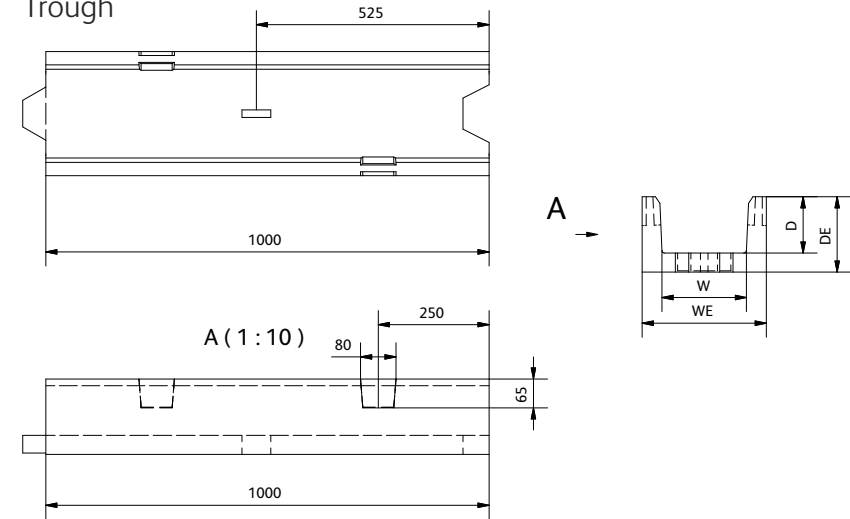
ANDERLITE TROUGH									
Standard Straight	PADS No	Internal Dimensions		External Dimensions		Weight	No. per Tonne	Pallet Quantity	
		Width W	Depth D	Width WE	Depth DE				
C/1/6TRW	0004/131417	100	90	190	130	24	41	36	
C/1/7TRW	0004/131419	130	130	220	170	32	31	30	
C/1/8TRW	0004/131421	150	200	250	240	45	22	15	
C/1/9TRW	0004/131423	190	130	280	170	38	27	24	
C/1/10TRW	0004/131425	250	130	340	170	40	25	18	
C/1/29TRW	0004/131427	350	130	440	170	46	21	14	
C/1/43TRW	0004/131428	350	300	440	340	75	13	9	

ANDERLITE LID									
Standard Straight	PADS No	Internal Dimensions of Trough		External Dimensions of Lid		Weight	No. per Tonne	Pallet Quantity	
		Width W	Depth D	Length	Width WE				
C/1/6LRW	0004/131418	100	90	1000	190	16	62	60	
C/1/7LRW	0004/131420	130	130	1000	220	20	50	50	
C/1/8LRW	0004/131422	150	200	1000	250	22	45	50	
C/1/9LRW	0004/131424	190	130	1000	280	28	36	48	
C/1/10LRW	0004/131426	250	130	1000	340	31	32	36	
C/1/29LRW	0004/131429	350	130	1000	440	46	21	20	

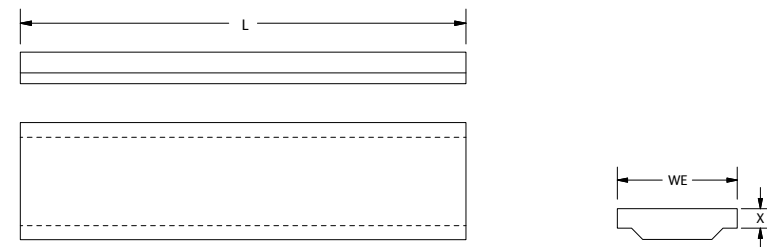
Transportation costs reduced by up to 20%

Other inherent qualities of the Anderlite system are its resistance from chemical attack in certain ground conditions and its excellent resistance qualities against fire and weather. It is also anti-static whilst having no detrimental impact on other lineside infrastructure equipment.

Trough



Lid



X = 50 for all 350 width lids / 40 for all sizes below 350

• Please note once the lid is fitted the internal capacity of the trough will be reduced.

Anderlite™ 500

Anderlite™ 500

Making lite work – a versatile new length in the Anderlite™ Troughing Range.



C/1/9 TROUGH 19KG

C/1/9 LID 14KG

COMBINED 33KG



Specification

- Lightweight, easy to handle
- Proven technology
- Up to 4x cheaper than alternatives and fast becoming the industry No.1 troughing product
- Utilises 7% recycled materials
- Reduces transport costs by up to 20%
- Completely compatible with all existing systems
- Network Rail approved

ANDERLITE 500mm TROUGH

Product code	PADS No	Internal Dimensions		External Dimensions		Weight	No. per Tonne	Pallet Quantity
		Width W	Depth D	Width WE	Depth DE			
C/1/8TRW/H	0004/131436	150	200	250	240	23	43	24
C/1/9TRW/H	0004/131438	190	130	280	170	19	55	48
C/1/10TRW/H	0004/131440	250	130	340	170	20	50	36
C/1/29TRW/H	0004/131442	350	130	440	170	23	43	36
C/1/43TRW/H	0004/131443	350	300	440	340	38	26	18

ANDERLITE 500mm LID

Product code	PADS No	External Dimensions of Lid		Weight	No. per Tonne	Pallet Quantity
		Width W	Depth D			
C/1/8LRW/H	0004/131437	250	40	11	105	100
C/1/9LRW/H	0004/131439	280	40	14	90	96
C/1/10LRW/H	0004/131441	340	40	16	77	72
C/1/29LRW/H	0004/131444	440	50	23	46	40

Ander-Fin™ cable theft deterrent

Ander-Fin™ cable theft deterrent

The simple route to secure cabling.



Maximum disruption of vehicular cable pull

Even when pulled by a vehicle, the cable cannot be extracted from the trough. Ander-Fin stops cable theft.

Protect against cable theft from just £1 per metre with Ander-Fin – the newly approved cable anchoring system from Anderton.

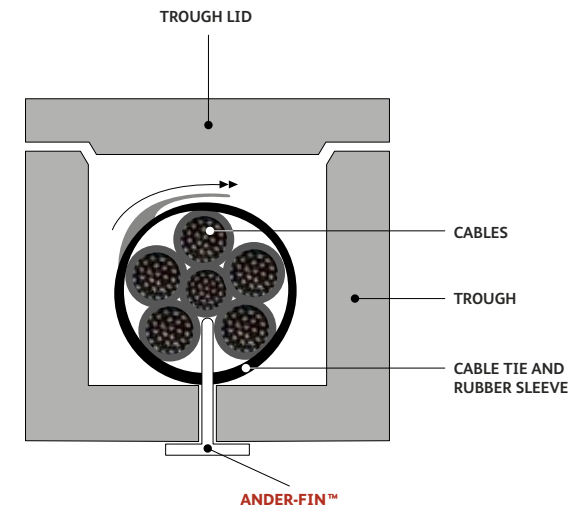
- Cable theft costs the rail industry thousands of delayed minutes each year and is costly to replace
- Cable theft causes safety hazards
- Ander-Fin helps to prevent cable theft by securing and tying the cables to the trough
- Ander-Fin secures long lengths of cable
- Used in conjunction with Anderton cable troughs
- Ander-Fin cable anchoring system is patent approved

Usage

- Ander-Fin is inserted into Anderton trough from below
- A Network Rail approved cable tie with rubber sleeve is threaded through the Ander-Fin
- The cables are bundled
- The cable tie is tensioned and secured

Specification

- The fin is compatible with a range of Network Rail approved clips and sleeves
- The fin is manufactured from glass filled nylon
- Strength depending on orientation of the fin has a failure load in excess of 2kN
- FIRE – The fin material has been tested to UL 94 and achieved V5A rating
- Limiting Oxygen Limit is 32.5 and the material contains no halogen



Ander-Loc cable theft deterrent

Ander-Loc cable theft deterrent

The UK's most popular cable theft deterrent!



Ander-Loc – the pioneering cable theft deterrent system

Our pioneering new system provides the ideal solution of effectively deterring cable theft or vandalism in high risk areas.

1.



Each of the two clips are attached to the trough wall in parallel using a hide or soft faced hammer.

2.



The lid is fitted to the trough and the band strap is placed over the lid and simply attached to the clips either side. Again a soft faced hammer is used to secure the band into the clips.

3.



The teeth on the legs of the strap engage into the clip mechanism holding it securely so the lid cannot be easily removed. (For access, the locking mechanism can be simply disengaged at the drilled points using circlip pliers).

ANDER-LOC			
Description	Weight	No. per Tonne	Pack size
C/1/6 Clip	1	1000	25
C/1/7 Clip	1	1000	25
C/1/8 Clip	1	1000	25
C/1/9 Clip	1	1000	25
C/1/10 Clip	1	1000	25
C/1/29 Clip	1	1000	25
C/1/43 Clip	1	1000	25

• Pack includes 25 straps and 50 clips

Ander-Lift

Fast efficient and safe handling of troughing, simple to set and use.



Used in pairs the Ander-Lift tool facilitates the easy lifting of Anderlite troughing system sections

- The tool is lightweight and easy to use
- The tool is adjustable for use with all C/1 straights
- Can be used in conjunction with the Anderlite troughing system
- Insulated for use in third rail areas
- SWL – 80kg per pair
- Encourages a two man lift

**Making
lite work**

Easi-Lift trough lid

The Anderton Easi-Lift lid makes lid installation safer, quicker and easier with its innovative design which prevents finger trapping.

Anderton Concrete has identified that in some circumstances there is a risk of finger trapping when placing lids onto concrete troughs.

In order to mitigate this, the lids have four recesses on the underside near to the four corners to provide finger lifting points, suitable for a two man lift.

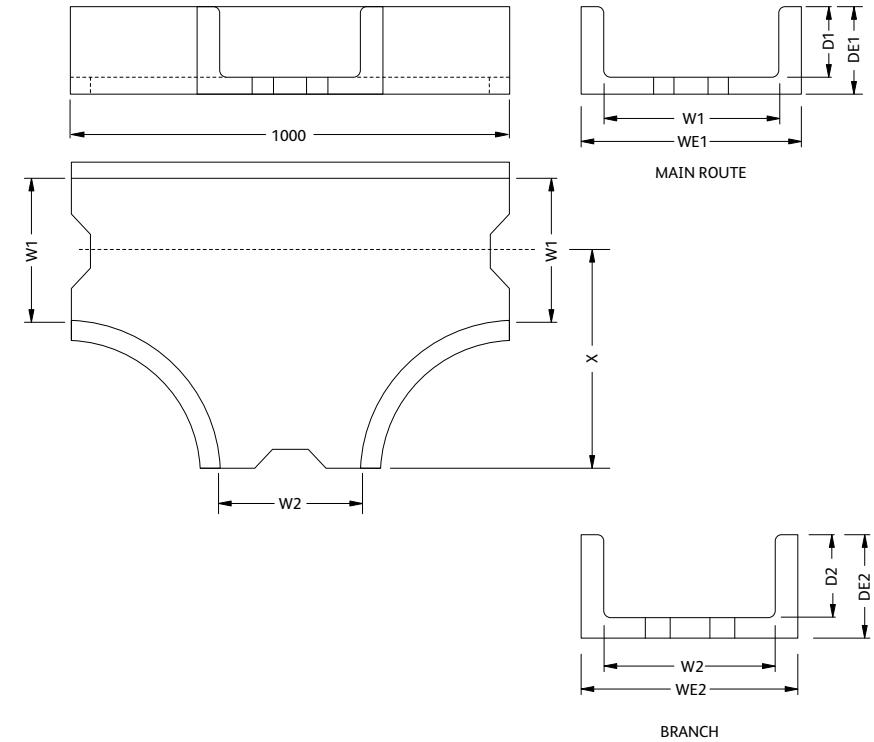
The Easi-Lift will be coming soon throughout the Anderlite Range.

NEW DESIGN REDUCES LID WEIGHT



Trough tee

Trough tee

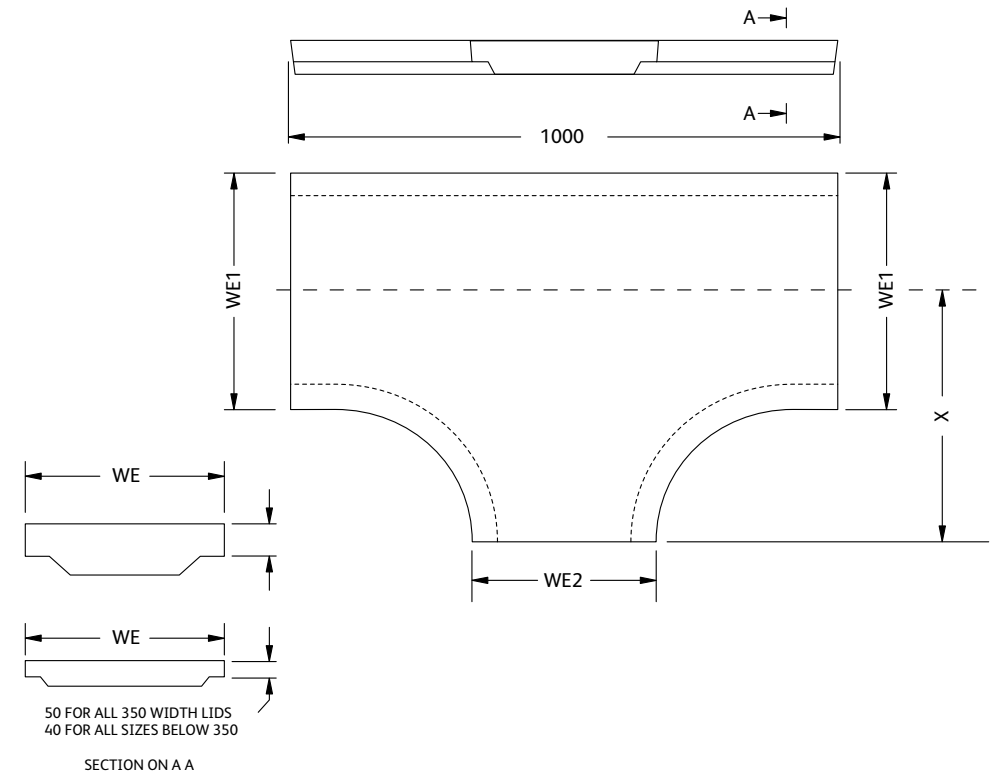


TROUGH TEE				
Product code	PADS No.	Weight (kg)	No. per Tonne	Pallet Quantity
C/1/41TTRW	0004/131466	33	30	10
C/1/39TTRW	0004/131464	45	22	10
C/1/23TTRW	0004/131456	64	15	8
C/1/37TTRW	0004/131462	44	22	10
C/1/34TTRW	0004/131460	47	21	10
C/1/80TTRW	0004/131468	55	18	10
C/1/81TTRW	0004/131486	91	11	4
C/1/42TTRW	-	112	9	8
C/1/32TTRW	0004/131458	53	18	10

TROUGH TEE						
Product code	To Suit	Main Route		Branch		X
		Width W1	Depth D1	Width W2	Depth D2	
C/1/41TTRW	C/1/6	100	90	100	90	450
C/1/39TTRW	C/1/7	130	130	130	130	450
C/1/23TTRW	C/1/8	150	200	150	200	500
C/1/37TTRW	C/1/9	190	130	190	130	450
C/1/34TTRW	C/1/10	250	130	250	130	450
C/1/80TTRW	C/1/29	350	130	350	130	450
C/1/81TTRW	C/1/43	350	300	350	300	450
C/1/42TTRW	C/1/29 with C/1/8 Branch	350	130	150	200	450
C/1/32TTRW	C/1/29 with C/1/10 Branch	350	130	250	130	450

- Standard Troughs and Lids are for pedestrian traffic only.
- Please note once the lid is fitted the internal capacity of the trough will be reduced.

Lid tee



LID TEE					
Product code	PADS No.	To suit	Weight (kg)	No. per Tonne	Pallet Quantity
C/1/41LTRW	0004/131467	C/1/6T	25	40	20
C/1/39LTRW	0004/131465	C/1/7T	28	35	20
C/1/23LTRW	0004/131457	C/1/8T	35	28	16
C/1/37LTRW	0004/131463	C/1/9T	33	30	20
C/1/34LTRW	0004/131461	C/1/10T	39	25	20
C/1/80LTRW	0004/131469	C/1/29T	51	19	20
C/1/81LTRW	0004/131469	C/1/43T	50	20	20
C/1/42LTRW	-	C/1/29T with 1/8 Branch	33	16	16
C/1/32LTRW	0004/131459	C/1/29T with 1/10 Branch	57	17	20

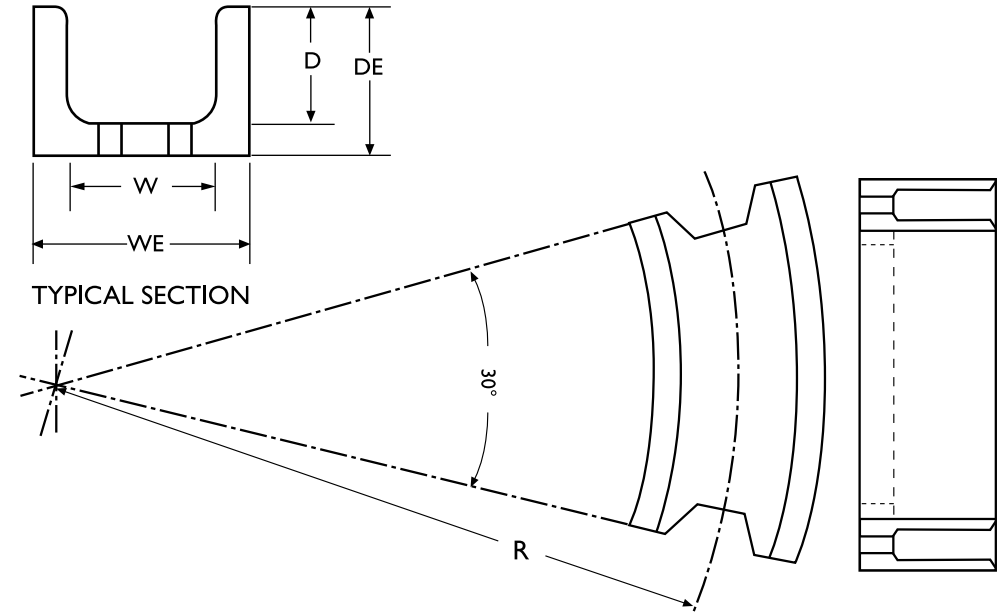
- Standard Troughs and Lids are for pedestrian traffic only.
- Please note once the lid is fitted the internal capacity of the trough will be reduced.

LID TEE					
Product code	Internal Dimensions		Width WE	Width WE2	Size of Trough Branch
	Dimensions 1	Dimensions 2			
C/1/41LTRW	100 x 90	100 x 90	190	190	450
C/1/39LTRW	130 x 130	130 x 130	220	220	450
C/1/23LTRW	150 x 200	150 x 200	250	250	500
C/1/37LTRW	190 x 130	190 x 130	280	280	450
C/1/34LTRW	250 x 130	250 x 130	340	340	450
C/1/80LTRW	350 x 130	350 x 130	440	440	450
C/1/81LTRW	350 x 300	350 x 300	440	440	450
C/1/42LTRW	350 x 130	150 x 200	440	440	450 with C/1/8 Branch
C/1/32LTRW	350 x 130	250 x 130	440	440	450

- Standard Troughs and Lids are for pedestrian traffic only.
- Please note once the lid is fitted the internal capacity of the trough will be reduced.

Trough curved

Trough curved



TROUGH CURVED				
Product code	PADS No.	To suit	No. per Tonne	Pallet Quantity
C/1/16TCRW	0004/131491	C/1/6	52	24
C/1/11TCRW	-	C/1/6	63	10
C/1/17TCRW	0004/131493	C/1/7	62	24
C/1/12TCRW	-	C/1/7	33	48
C/1/18TCRW	0004/131495	C/1/8	34	24
C/1/13TCRW	-	C/1/8	23	10
C/1/19TCRW	0004/131470	C/1/9	55	40
C/1/14TCRW	0004/131487	C/1/9	35	48
C/1/15TCRW	0004/131489	C/1/10	27	10
C/1/20TCRW	0004/131472	C/1/10	47	36
C/1/30TCRW	0004/131497	C/1/29	43	10
C/1/31TCRW	0004/131499	C/1/29	22	10
C/1/82TCRW	0004/131503	C/1/43	16	10

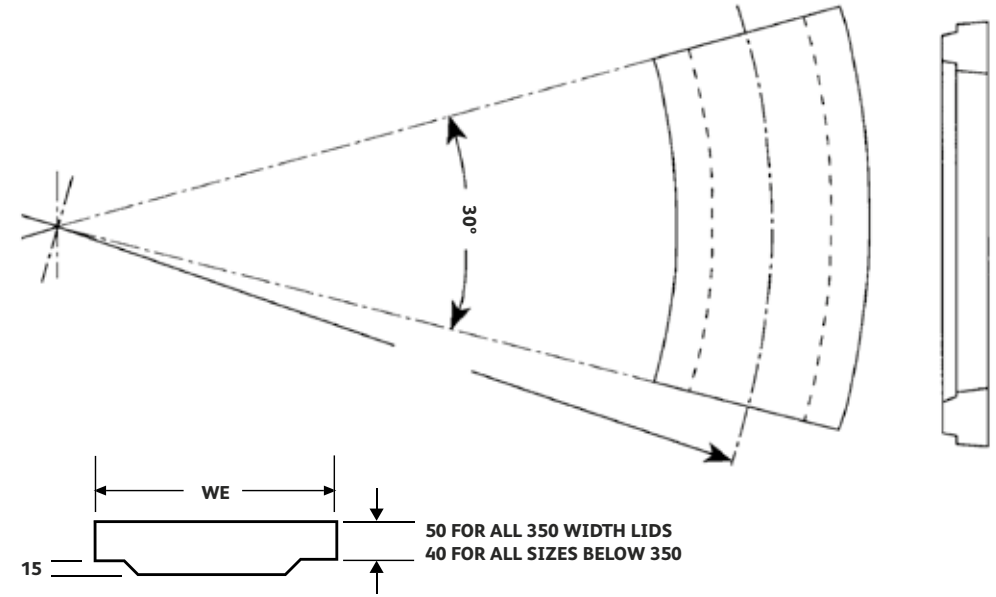
- Standard Troughs and Lids are for pedestrian traffic only.
- Please note once the lid is fitted the internal capacity of the trough will be reduced.

TROUGH CURVED					
Description	Internal Dimensions		Radius R	Width WE	Weight (kg)
	Width W	Depth D			
C/1/16TCRW	190	90	1000	130	19
C/1/11TCRW	190	90	1500	130	16
C/1/17TCRW	220	130	1000	170	16
C/1/12TCRW	220	130	1500	170	30
C/1/18TCRW	250	200	1000	240	29
C/1/13TCRW	250	200	1500	240	43
C/1/19TCRW	280	130	1000	170	18
C/1/14TCRW	280	130	1500	170	28
C/1/20TCRW	340	130	1000	170	21
C/1/15TCRW	340	130	1500	170	36
C/1/30TCRW	440	130	1000	170	23
C/1/31TCRW	440	130	1500	170	45
C/1/82TCRW	440	300	1000	340	61

- Standard Troughs and Lids are for pedestrian traffic only.
- Please note once the lid is fitted the internal capacity of the trough will be reduced.

Lid curved

Lid curved



LID CURVED

Product code	PADS No.	To suit	No. per Tonne	Pallet Quantity
C/1/16LCRW	0004/131492	C/1/16	125	24
C/1/11LCRW	-	C/1/16	100	10
C/1/17LCRW	0004/131494	C/1/17	100	24
C/1/12LCRW	-	C/1/17	62	48
C/1/18LCRW	0004/131496	C/1/18	83	24
C/1/13LCRW	-	C/1/18	55	10
C/1/19LCRW	0004/131471	C/1/19	90	80
C/1/14LCRW	0004/131488	C/1/19	45	48
C/1/20LCRW	0004/131473	C/1/10	71	48
C/1/15LCRW	0004/131490	C/1/10	41	10
C/1/30LCRW	0004/131498	C/1/29	45	24
C/1/31LCRW	0004/131500	C/1/29	23	30
C/1/82LCRW	0004/131504	C/1/43	38	24

- Standard Troughs and Lids are for pedestrian traffic only.
- Please note once the lid is fitted the internal capacity of the trough will be reduced.

TROUGH CURVED

Description	Internal Dimensions		Radius R	Width WE	Weight (kg)
	Width W	Depth D			
C/1/16LCRW	100	90	1000	190	8
C/1/11LCRW	100	90	1500	190	10
C/1/17LCRW	130	130	1000	220	10
C/1/12LCRW	130	130	1500	220	16
C/1/18LCRW	150	200	1000	250	12
C/1/13LCRW	150	200	1500	250	18
C/1/19LCRW	190	130	1000	280	11
C/1/14LCRW	190	130	1500	280	22
C/1/20LCRW	250	130	1000	340	14
C/1/15LCRW	250	130	1500	340	24
C/1/30LCRW	350	130	1000	440	22
C/1/31LCRW	350	130	1500	440	42
C/1/82LCRW	350	130	1000	440	26

- Standard Troughs and Lids are for pedestrian traffic only.
- Please note once the lid is fitted the internal capacity of the trough will be reduced.

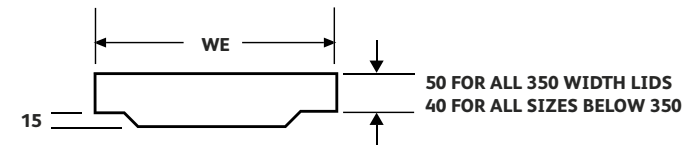
Trough transition



TROUGH TRANSITIONS					
Transitions	PADS No.	To suit	Weight (kg)	No. per Tonne	Pallet Quantity
C/1/40TRW	0004/131445	C/1/7 to C/1/6	28	35	20
C/1/38TRW	0004/131447	C/1/9 to C/1/7	35	28	15
C/1/35TRW	0004/131451	C/1/10 to C/1/9	38	26	15
C/1/36TRW	0004/131449	C/1/10 to C/1/8	52	19	15
C/1/61TRW	0004/131480	C/1/43 to C/1/7	66	15	6
C/1/45TRW	0004/131474	C/1/43 to C/1/8	95	10	6
C/1/62TRW	0004/131482	C/1/43 to C/1/9	55	18	6
C/1/63TRW	0004/131484	C/1/43 to C/1/10	57	17	4
C/1/44TRW	0004/131476	C/1/43 to C/1/29	60	16	4
C/1/60TRW	0004/131478	C/1/29 to C/1/9	47	21	12
C/1/33TRW	0004/131453	C/1/29 to C/1/10	43	23	15

- Standard Troughs and Lids are for pedestrian traffic only.
- Please note once the lid is fitted the internal capacity of the trough will be reduced.

Lid transition

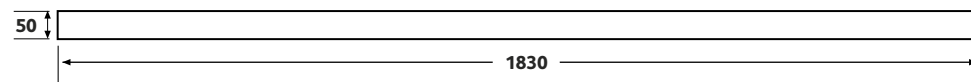
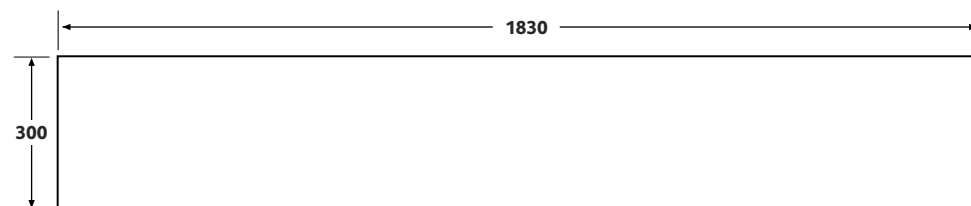


LID TRANSITIONS					
Transitions	PADS No.	To suit	Weight (kg)	No. per Tonne	Pallet Quantity
C/1/40LRW	0004/131446	C/1/7 to C/1/6	16	62	20
C/1/38LRW	0004/131448	C/1/9 to C/1/7	20	50	30
C/1/35LRW	0004/131452	C/1/10 to C/1/9	25	40	30
C/1/36LRW	0004/131450	C/1/10 to C/1/8	28	35	30
C/1/61LRW	0004/131481	C/1/43 to C/1/7	38	26	15
C/1/45LRW	0004/131475	C/1/43 to C/1/8	30	33	15
C/1/62LRW	0004/131483	C/1/43 to C/1/9	33	30	15
C/1/63LRW	0004/131485	C/1/43 to C/1/10	35	28	15
C/1/60LRW	0004/131479	C/1/29 to C/1/9	36	27	12
C/1/33LRW	0004/131455	C/1/29 to C/1/10	35	28	30

- Standard Troughs and Lids are for pedestrian traffic only.
- Please note once the lid is fitted the internal capacity of the trough will be reduced.

Ballast boards

Anderton Concrete ballast boards are the ideal way to prevent the spread of ballast.



Quick and easy to install Anderton ballast boards provide an instant solution to an ongoing problem.

Anderton Concrete ballast boards contain steel reinforcement for extra strength and durability, they can also be delivered to site in composite loads with other Anderton Concrete railway products.

- Quick and easy to install
- Steel reinforcement for extra strength and durability
- Delivered to site in composite loads
- 3 x 5.5mm steel reinforcement

BALLAST BOARDS					
Product Description	Product code	Resistant Moment kNm	Size	Weight (kg)	Pack Size
Ballast Board	4/013298	0.66 kNm	1830 x 300 x 50	60	20
Ballast Board	-	0.441 kNm	1830 x 150 x 50	30	40

WE CAN ALSO SUPPLY WETCAST SLOTTED POSTS AND POST MIX IN CONJUNCTION WITH THIS PRODUCT

King boards

The ideal engineered concrete solution.



Anderton Concrete king boards provide the ideal engineered solution to create a line side recess to house vital infrastructure equipment or a position of safety for work personnel.

The heavy duty king board product has additional reinforcement detail to provide added protection against soil pressures.

King boards are available in a number of different sizes, for further details **please contact our sales office on 01606 79436.**

**Contact us
for sizing
information**

King boards



Standard catchpits

Standard catchpits



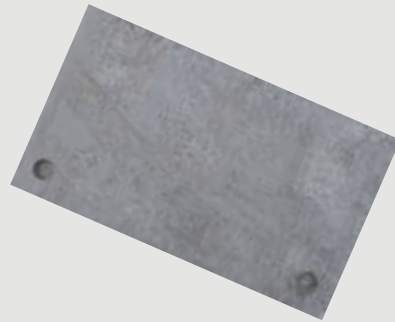
STANDARD CATCHPIT COVER



STANDARD CATCHPIT FRAME

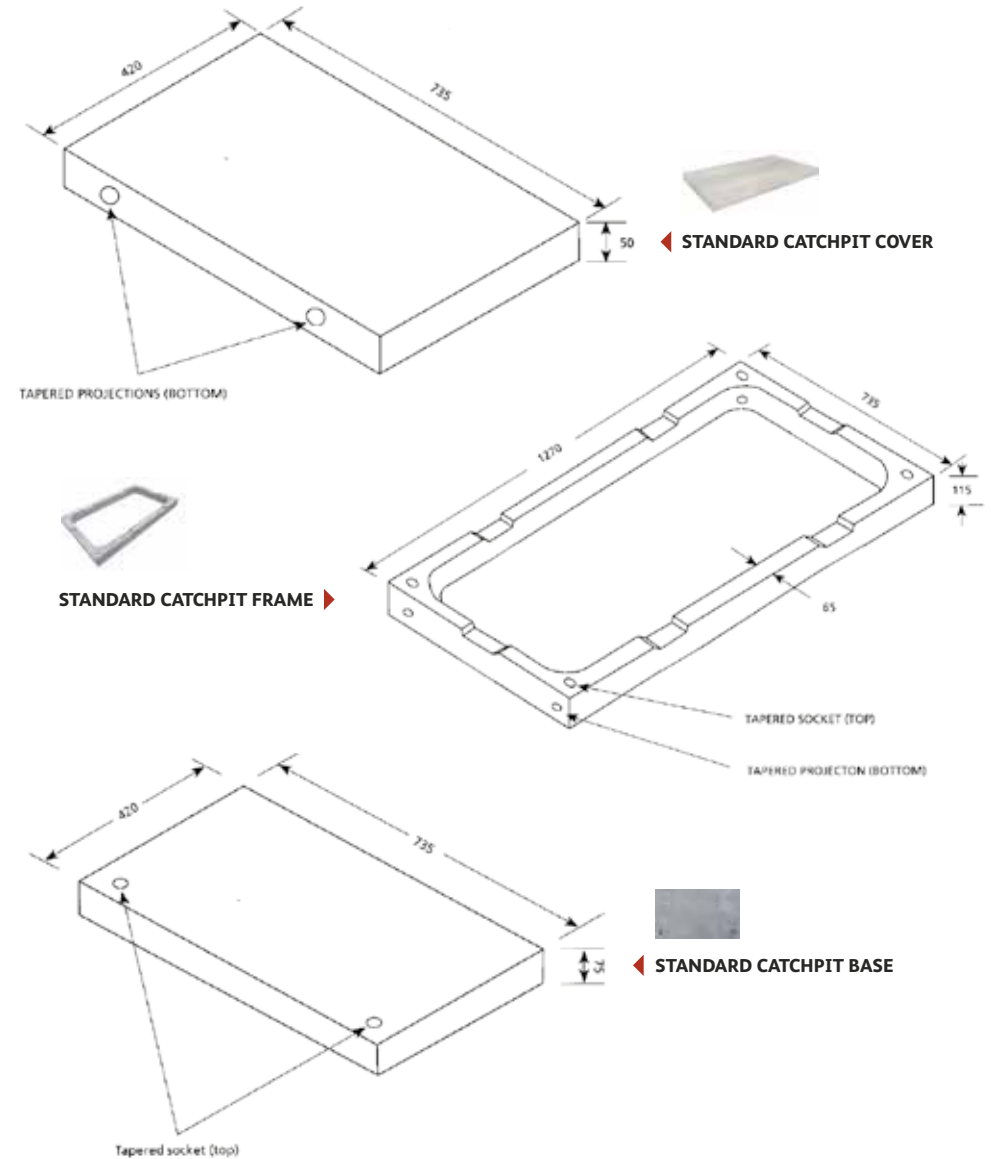


STANDARD CATCHPIT BASE



STANDARD CATCHPITS

Product Description	Product code	Weight (kg)	Pack Size
Standard Catchpit Cover	4/13508	38	30
Standard Catchpit Frame	4/13501	71	10
Standard Catchpit Base	4/13509	58	24



Standard catchpits

STANDARD CATCHPIT HALF FRAME



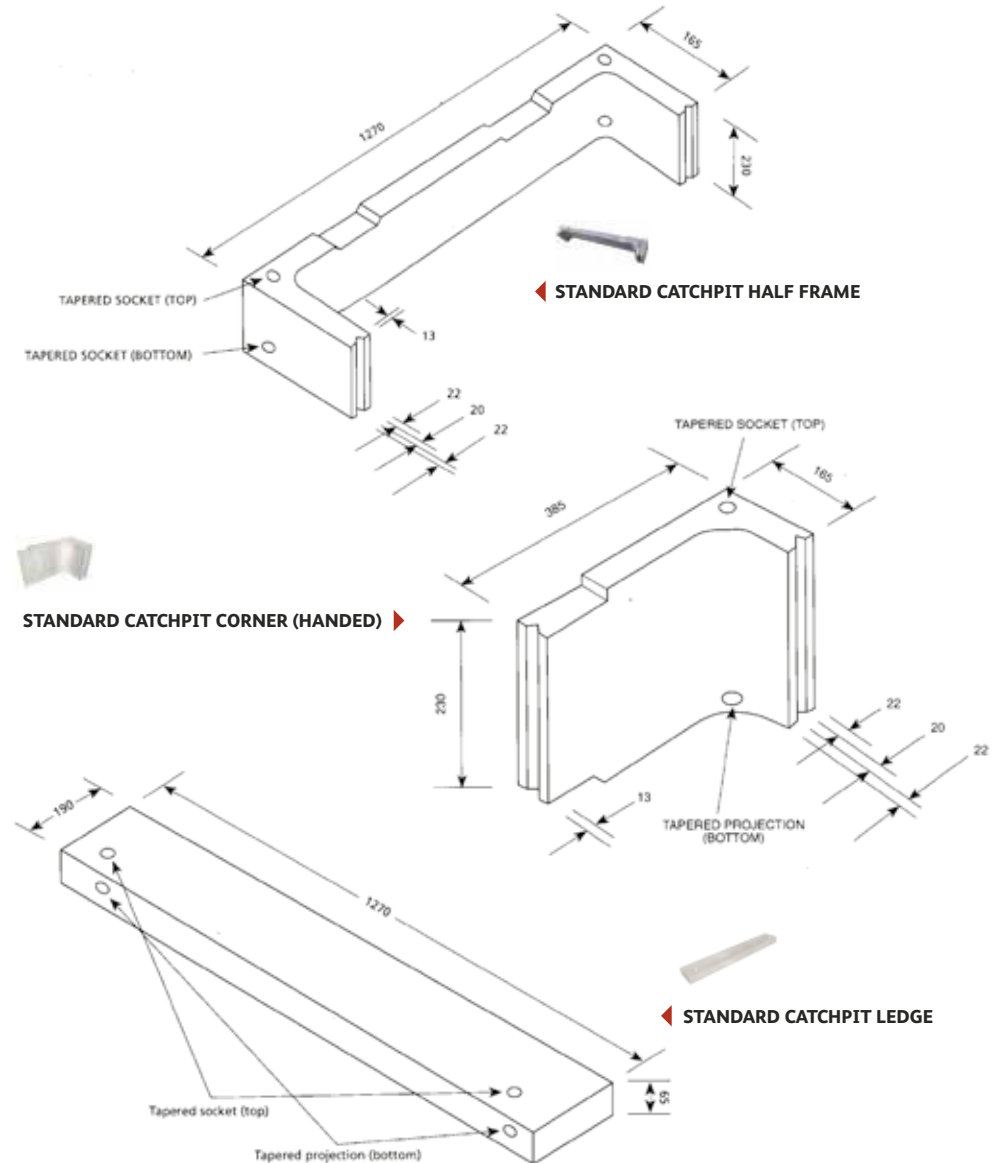
STANDARD CATCHPIT LEDGE



STANDARD CATCHPIT CORNER (HANDED)

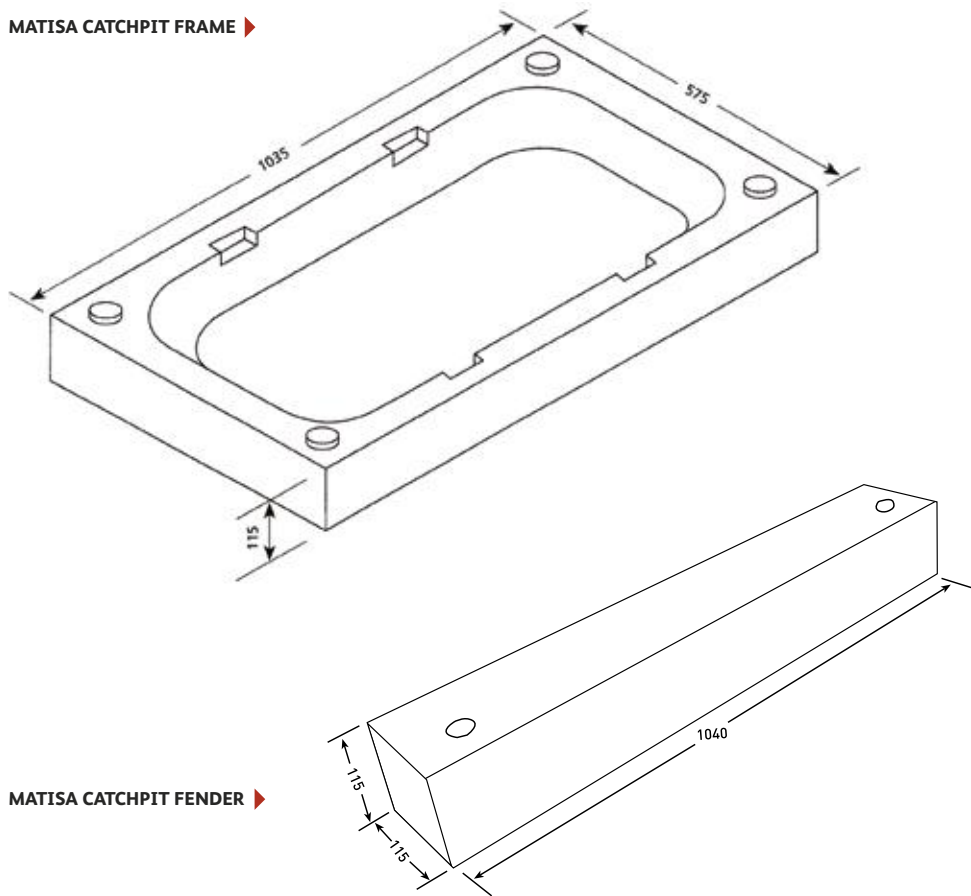


STANDARD CATCHPITS			
Product Description	Product code	Weight (kg)	Pack Size
Standard Catchpit Half Frame	4/13502	56	12
Standard Catchpit Ledge	4/13510	38	40
Standard Catchpit Corner LH	4/13506	20	30
Standard Catchpit Corner RH	4/13507	20	30



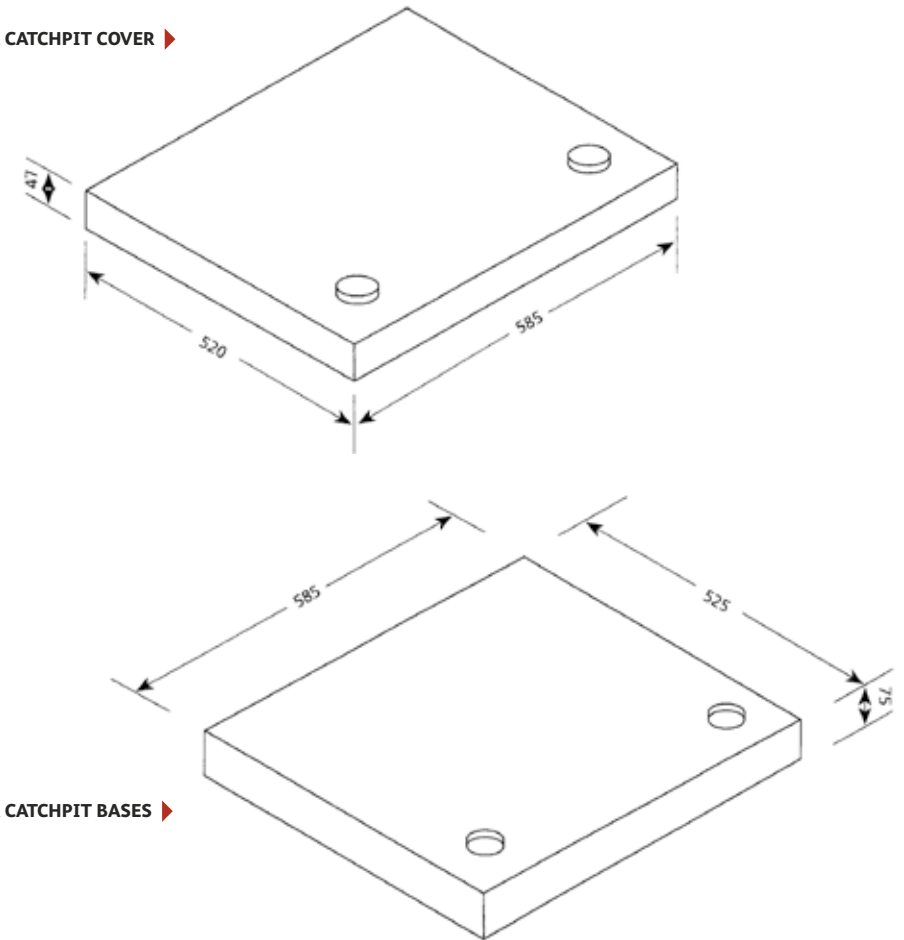
Matisa catchpits

MATISA CATCHPIT FRAME ▶



MATISA CATCHPIT FENDER ▶

MATISA CATCHPIT COVER ▶



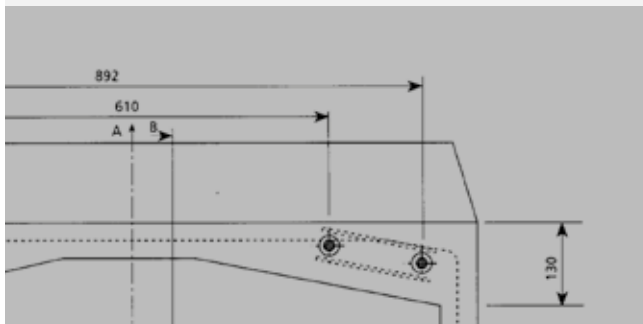
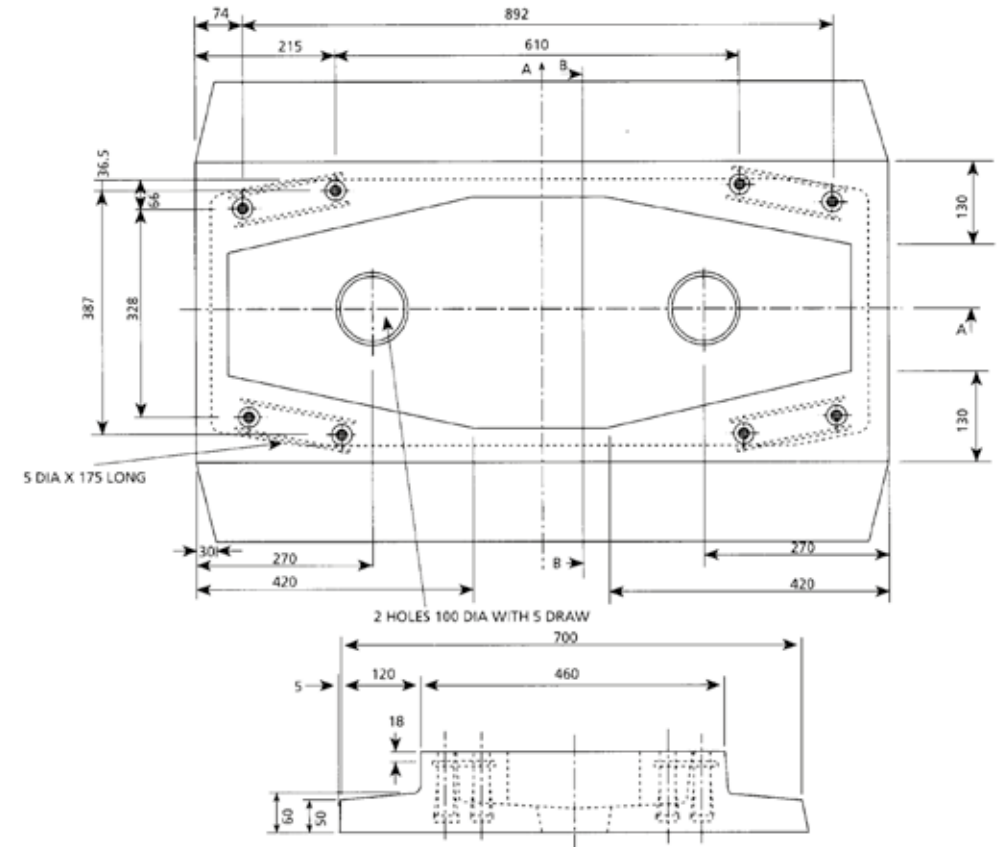
MATISA CATCHPIT BASES ▶

MATISA CATCHPITS			
Product Description	Product code	Weight (kg)	Pack Size
Matisa Catchpit Frame	4/104514	54	20
Matisa Catchpit Fender	4/104513	34	20

MATISA CATCHPITS			
Product Description	Product code	Weight (kg)	Pack Size
Matisa Catchpit Cover	4/104512	35	20
Matisa Catchpit Base	4/104511	54	20

Large apparatus case base

Large apparatus case base



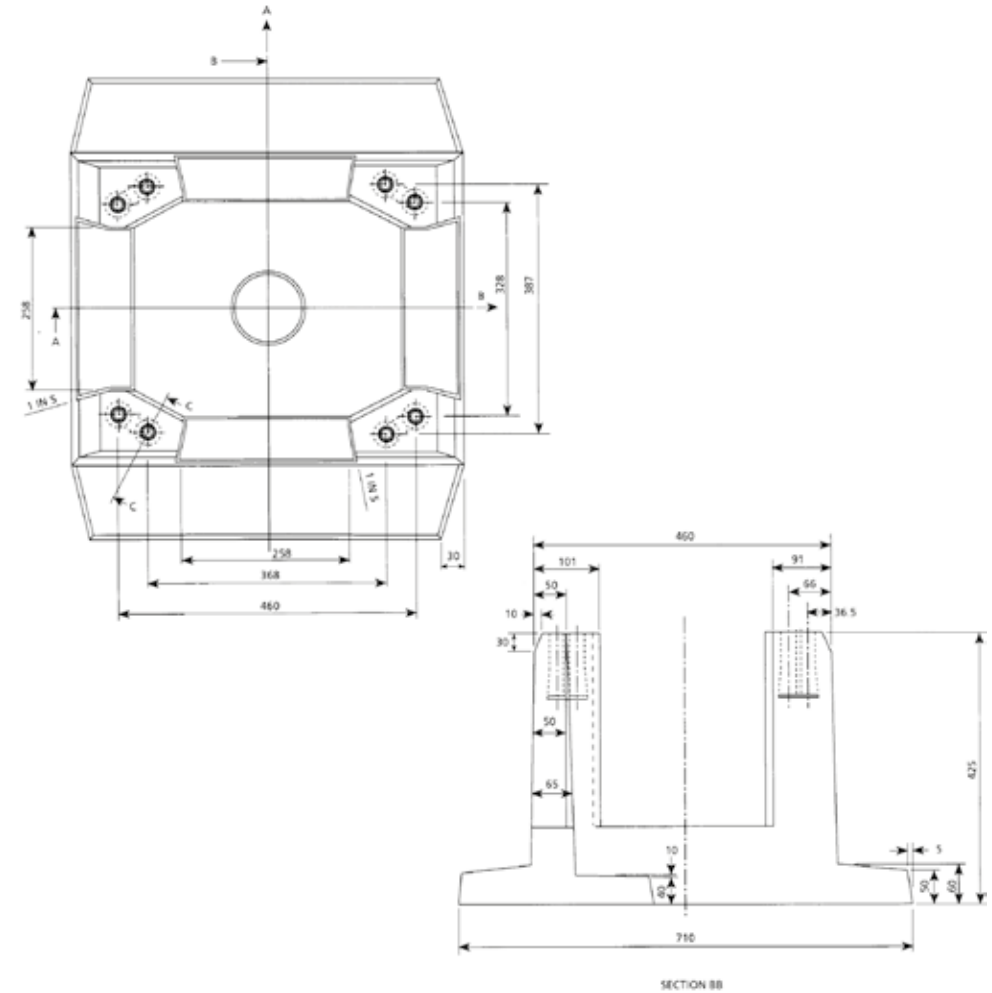
To be used in conjunction with Anderton corner units and Anderton filler blocks.

LARGE APPARATUS CASE BASE				
Product Description	Product code	Dimensions L x W x D (mm)	Weight (kg)	Pack Size
Large Apparatus Case Base	4/104272	1040 x 700 x 115	112	5

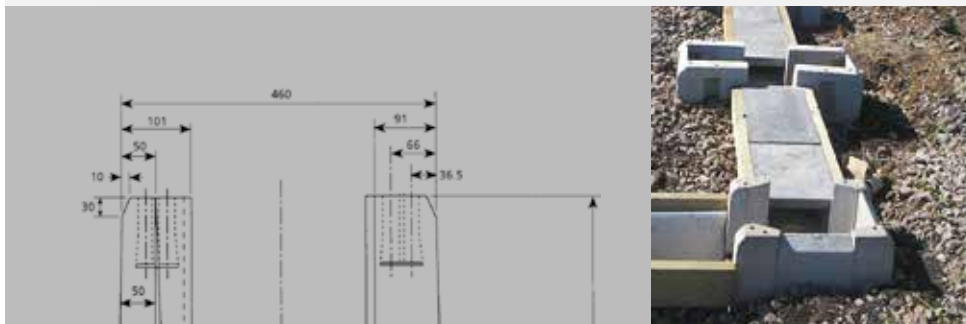
- M16 Fixing Bolts not included

Small apparatus case base

Small apparatus case base

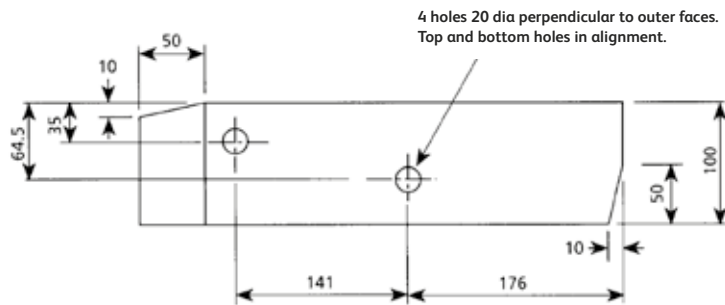
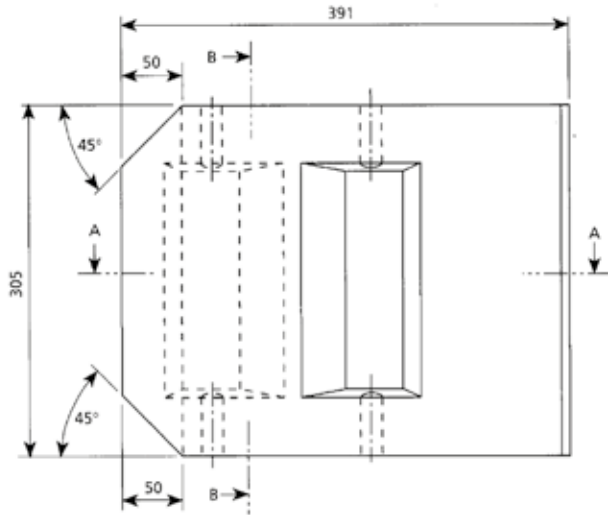


To be used in conjunction with Anderton filler blocks.

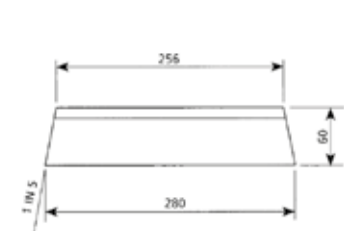
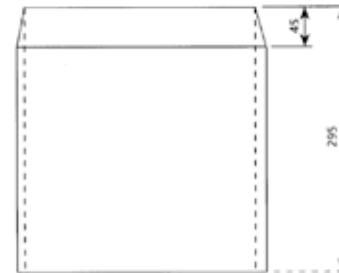


SMALL APPARATUS CASE BASE				
Product Description	Product code	Dimensions L x W x D (mm)	Weight (kg)	Pack Size
Small Apparatus Case Base	4/104281	710 x 580 x 425	128	4

Corner units



Filler blocks



CORNER & FILLER BLOCKS

Product Description	Product code	Dimensions L x W x D (mm)	Weight (kg)	Pack Size
Corner unit	0004/104326	391 x 100 x 305	23	48
Filler block	0004/104301	280 x 60 x 295	11	96

Corner units to be used in conjunction with Anderton large apparatus case bases.

Filler blocks to be used in conjunction with Anderton large apparatus case bases or Anderton small apparatus case bases.

Miscellaneous rail products

UNIVERSAL TELECOMS CABINET BASE

Catalogue Number	Weight (kg)	No. per pallet
004/012639	120	2



1' 6" SPT BASE

Catalogue Number	Weight (kg)	No. per pallet
004/012658	100	2



3 WAY POINT ROD ROLLER

Cat No.	Dimensions L x W x D (mm)	Weight (kg)	Pack Size
4/12773	220 x 273 x 606	34	12



6 WAY POINT ROD ROLLER

Cat No.	Dimensions L x W x D (mm)	Weight (kg)	Pack Size
4/12774	220 x 480 x 606	62	6



POSITION LIGHT SHUNT SIGNAL

Catalogue Number	Weight (kg)	No. per pallet
004/104291	53	9



PLINTH FOR LIGHT

Catalogue Number	Weight (kg)	No. per pallet
004/012002	778	1



MARKER POST

Product Description	Dimensions (mm)	Weight (kg)
Type M4	1230	31



TYPE 2 MARKER POST

Product Description	Dimensions (mm)	Weight (kg)
Head to take 100 x 76mm plate	762mm (L)	24



MINIATURE RED / GREEN LIGHT UNIT POST BASE

Catalogue Number	Weight (kg)	No. per pallet
004/012657	240	4



CRANK FRAME LEG

Catalogue Number	Weight (kg)	No. per pallet
004/015957	79	6



TRANSBASE/DUCT

Catalogue Number	Dimensions (mm)	Weight (kg)
-	305 x 305 x 230	50



BLOCK TYPE MARKER

Catalogue Number	Dimensions (mm)	Weight (kg)
-	305 x 305 x 152	33
-	610 x 610 x 102	87



SIGNAL WHEEL LEG

Catalogue Number	Weight (kg)	No. per pallet
004/015958	34	3



EARTH ROD CORE AND SURROUND

Catalogue Number	Dimensions (mm)	Weight (kg)
-	315 x 315 x 210mm	34



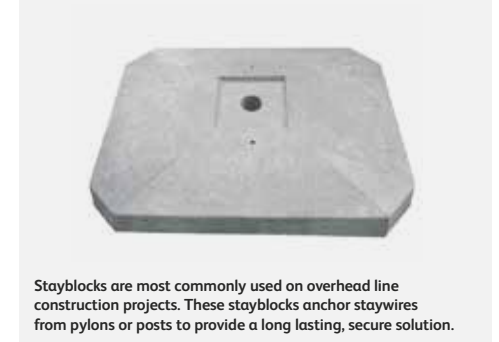
CABLE COVER

Dimensions L x W x D (mm)	Weight (kg)	Pack Size
914 x 152 x 63/38	15.6	100
914 x 229 x 63/38	23	63
914 x 305 x 63/38	29	49



STAYBLOCK

Description	Dim. (mm)	Hole	Weight (kg)	No. per pack
Stayblock 30	15.6	30	24	30
Stayblock 75	23	75	24	30
Stayblock Z	29	Square	70	12



Station platform materials

Manufacturer and supplier of station platform materials for the railway infrastructure.



Anderton Concrete coping are independently tested by a UKAS testing laboratory and conform to BS EN 13036-4 Pendulum Test.

Anderton Concrete manufacture as standard various sizes of coping, in a traditional grey colour, in either a textured or exposed aggregate finish. Anderton Concrete also has the expertise to offer bespoke copers, in a variety of sizes, colours and surface finishes, please contact our sales office for further information.

Anderton Concrete oversail blocks are manufactured to complement the range of Anderton Concrete Platform Copings. Each unit has a side cut out to accommodate location dowels.



Typical platform construction



Oversailing blocks



Exposed aggregate finish



Textured finish

COPING STONES	
Product Description	Dimensions L x W x D (mm)
Coping stone	930 x 760 x 100
Coping stone	1219 x 914 x 100

OVERSAIL BLOCKS	
Product Description	Dimensions L x W x D (mm)
Oversail Block	560 x 220 x 200

London Underground products

Manufacturer of precast items for the London Underground infrastructure.



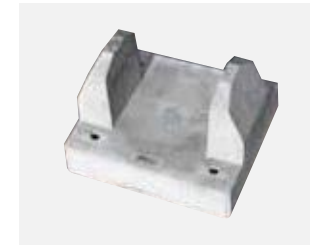
Anderton Concrete manufactures small precast items for the London Underground infrastructure under a Quality Management System certified to ISO 9001.

The standard product range has developed over many years to provide a comprehensive solution to both London Underground and Contractors alike.

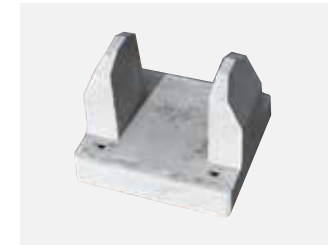
For any inquiries from the standard product range or if you have any bespoke requirements please contact our Northwich sales office.



Pedestal block



Negative safety block



Positive safety block

Nosing stones



PC10



PC20



PC30

NOSING STONES			
Product Description	Dimensions L x W x D (mm)	Weight (kg)	Pack Size
PC10	600 x 600 x 65	60	10
PC20	910 x 685 x 185/90	150	5
PC30	910 x 685 x 90	135	5

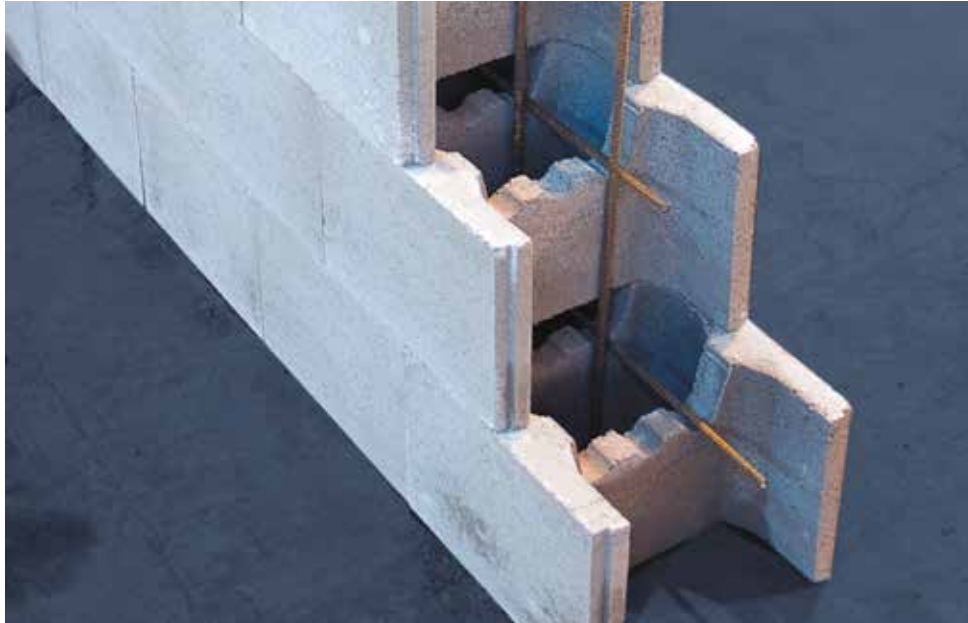
CABLE POSTS			
Product Description	Dimensions L x W x D (mm)	Weight (kg)	Pack Size
1220mm cable post	1220 x 165 x 75	37	-
1885mm cable post	1885 x 165 x 75	58	-
2285mm cable post	2285 x 165 x 75	68	-
3050mm cable post	3050 x 165 x 75	91	-
4270mm cable post	4270 x 165 x 152/75	165	-

CABLE POST ACCESSORIES			
Product Description	Dimensions L x W x D (mm)	Weight (kg)	Pack Size
Cable post anchors to suit	-	53	-
Cable post wedges to suit	-	3	-



Structural solutions?
The answer's Anderton.

The real alternative to shuttered concrete.



Designed to readily accept vertical and horizontal reinforcement; Stepoc is a system of concrete shuttering blocks that are highly-engineered and dimensionally coordinated.

Stepoc is filled with concrete, which is pumped down through the inter-connected cavities in the blocks. The blocks unique design creates a cascade or waterfall effect which ensures a smooth filling of the pumped concrete, forcing out air and eliminating segregation, to create walls which have immense compressive and lateral strength.

Stepoc walls have achieved the highest rating for a Security Barrier System under the SEAP (Security Equipment Assessment Panel) testing regime.



Stepoc retaining walls



Brick clad Stepoc



Curved Stepoc walls

Stepoc enables the fast construction of single skin retaining walls up to 4.0 metres high, subject to a design carried out by a structural engineer. It can be filled in a single pour from 1.8-2.25m depending on block thickness. Stepoc is available in three widths, 200, 256 and 325mm and at less than 20kg per unit.

Stepoc is proven in use on applications the length and breadth of the UK with a huge growth in sales over recent years proving its suitability and popularity.

Anderton has a team of experienced personnel with a wealth of knowledge in the construction industry on hand to assist the customer. Stepoc combines the ease of blockwork construction with the versatility of in-situ concrete, and yet is faster to apply than both.

Usage

- Retaining walls
- Basement walls
- Flood alleviation schemes
- Swimming pools
- Laterally-loaded panels
- Blast panels
- Lift shafts
- Platform edges
- Multi-storey structures

Type 200



L2 – Full Length Standard

L3 – Full Length Plain End

L4 – Half Length Plain End

Type 256



V2 – Full Length Standard

V3 – Full Length Plain End

V5 – Third Length Standard

V6 – Third Length Plain End

Type 325



Z2 – Full Length Standard

Z3 – Full Length Plain End

Z4 – Half Length Standard

STEPOC BLOCK DIMENSIONS								
	Unit	Length (mm)	Width	Height	Weight (kg)	Pack Size	m ² per pack	Product Code
TYPE 200	L2	400	200	225	18.5	40	3.60	STEP200L2FLI
	L3	400	200	225	18.5	40	3.60	STEP200L3FLE
	L4	200	200	225	9	80	3.60	STEP200L4HLI
TYPE 256	V2	400	256	225	19.8	32	2.88	STEP256V2FLI
	V3	400	256	225	20	32	2.88	STEP256V3FLE
	V5	133	256	225	8	96	2.88	STEP256V5TLI
	V6	133	256	225	8.5	96	2.88	STEP256V6TLE
TYPE 325	Z2	325	325	225	19.8	24	1.75	STEP325Z2FLI
	Z3	325	325	225	20	24	1.75	STEP325Z3FLE
	Z4	162.5	325	225	10.5	48	1.75	STEP325Z4HLI

- Fire resistant to Euroclass A1.
- **Note:** All products are supplied on pallets and shrink wrapped to aid in transportation and handling.

Pour Heights

There is a maximum height for each pour so that stability is not lost in the dry laid blocks as they are filled. Lower heights for each pour can also be used. We would also recommend the use of temporary propping at free ends and corners during the filling process.



If multiple concrete pours are required, the concrete of the previous pour should finish 50-75mm from the top of the course of Stepoc, with the vertical bars projecting the equivalent of a splice length taken from the engineer's schedule. This is to ensure a proper key between consecutive pours.

STEPOC MAXIMUM BUILD HEIGHTS		
Stepoc	Max courses	Pour heights (m)
200 Stepoc	8	1.80
256 Stepoc	10	2.25
325 Stepoc	10	2.25

Design

The design of Stepoc walls should be carried out by a qualified structural engineer using the appropriate method for the particular situation. Stepoc walls can either be designed as a reinforced masonry wall to EN 1996-1-1: 2005 +A1:2012 or a reinforced concrete section to BS EN 1992-1-1 (2004 +A1:2014).

Basements

When used in a basement situation waterproofing should be designed by a qualified engineer.

Infill Concrete Mix

The concrete should possess the characteristic strength specified by the structural engineer who has carried out the design of the wall, but not less than C32/40 as per BS EN 206:2013+A1:2016.

The concrete should be designed to be suitable for the specific means of delivery, and a consistence class of S4.

The maximum aggregate size should not exceed 10mm and the mix should contain no less than 380kg/m³ of fresh concrete.

Filling is best accomplished by a concrete pump or skip with a 75mm nozzle, and the design of the concrete should take this into account. Mechanical vibration must not be used. The use of water reducing agents is acceptable to lower cement content in the mix design.

Finishing

Stepoc can be faced with a number of different finishes including brick, stone and render. Wall ties can be incorporated during construction of the walls to allow the facing material to be tied in as appropriate.



Swimming pool applications

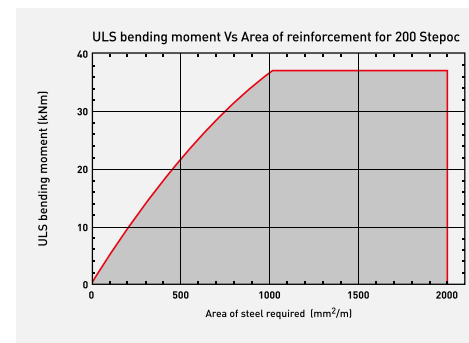


Curved walls

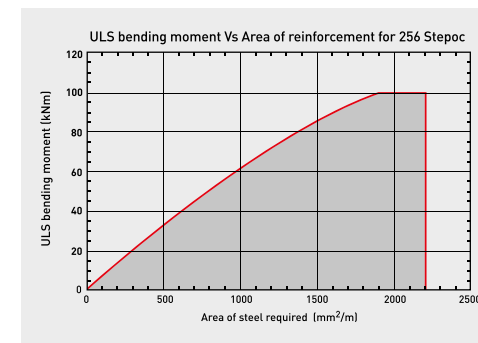


Pouring concrete

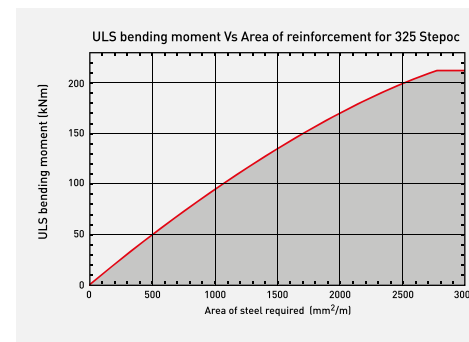
ULS Bending Moment for Stepoc 200, 256, 325



200mm STEPOC



256mm STEPOC



325mm STEPOC

STEPOC VERTICAL BAR CENTRES*	
Stepoc	Centres (mm)
200 Stepoc	200
256 Stepoc	133
325 Stepoc	162.5

STEPOC CONCRETE MIX	
Stepoc	Concrete infill
200 Stepoc	0.11m ³ per m ²
256 Stepoc	0.15m ³ per m ²
325 Stepoc	0.19m ³ per m ²

Did you know?

Anderton Concrete provide typical design examples and additional guidance to assist the engineer with the design process. All products can also be downloaded as CAD files. Anderton Concrete also provide standard setting out drawings for corners, ends and rebar positions.

*Chart for standard wall run, for setting out of corners Stepoc for swimming pool applications and ends please see details supplied with quote.

Slopec

Innovative and attractive retaining system for soil faced slopes.



A straightforward dry lay block system for facing retaining slopes.

Slopec can be used domestically in garden retaining wall projects or on a larger scale in commercial applications for embankment repairs and situations where an aesthetic slope is required.

For more information on this product please call our Structural Division on 0333 234 34 34

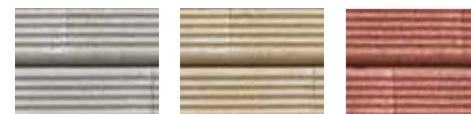
- Unique economical alternative to vertical retaining walls
- Professional indemnity backed design
- All units less than 20kgs
- Proven block/grid connection
- Choice of colours – bespoke colours available to special order
- Fast, efficient delivery

Slopec is a dry laid concrete block system with a unique ribbed face appearance that can be built as a gravity wall, and therefore be easily erected by the DIY enthusiast or alternatively as a structural wall by more experienced installers.

When the blocks are used in conjunction with a geogrid (i.e. Tensar RE500 series) and the patented blue comb connector, exceptionally strong reinforced earth walls can be constructed up to a height of approximately 5m which are suitable for both domestic and commercial applications.

Slopec can also be used as a facing material to stabilised slopes therefore providing a more attractive finish that may suit the project requirements.

Standard colours



Flint

Yorkstone

Sandstone



Slopec landscaping options



Reinforced earth Slopec



Slopec feature wall

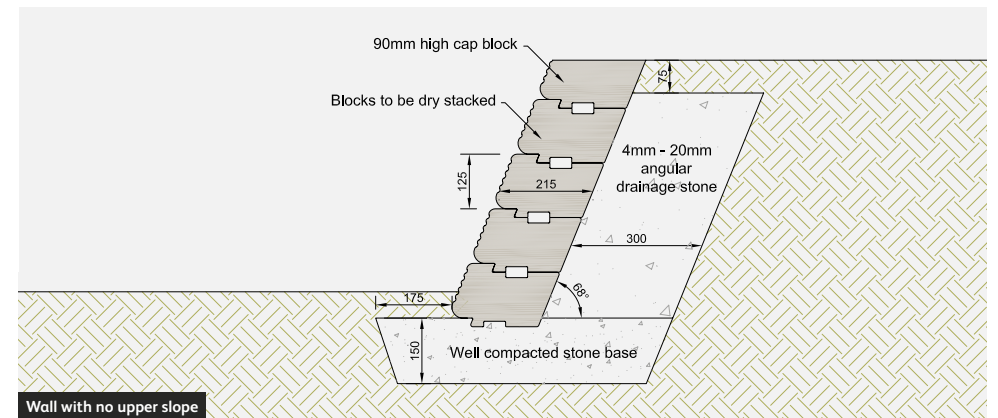
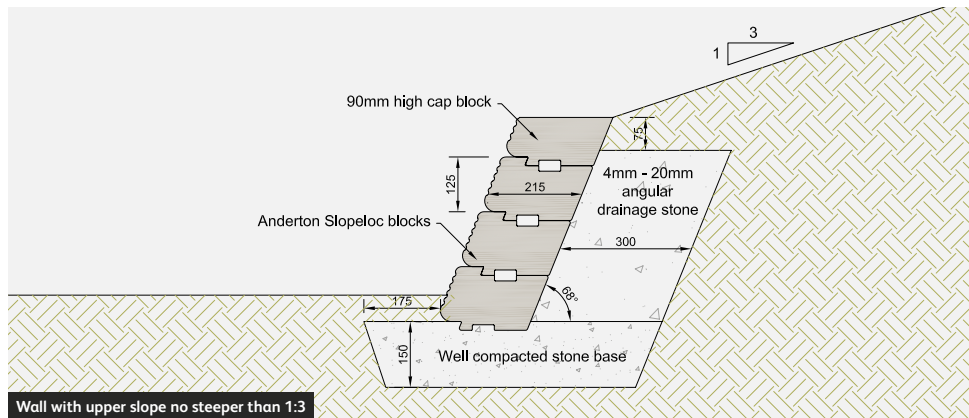
- The reproduction of colour is as close as is possible within the photographic and printed processes.
- Where precise colour tolerances are vital, you are advised to view actual product samples.
- Whenever practical, blocks should be mixed from more than one pack.



Design service

We have many years of experience developing our Slopecloc products and are able to offer exceptional levels of design and service support. We have an experienced technical support team and a very comprehensive design support programme to assist you with your individual requirements.

SLOPELOC		
Dimensions L x W x H (mm)	Exposed face area	Weight (kg)
300 x 245 x 125	0.0375m ²	16.5
Pack Size: 72 – Coverage 2.70m²		



Typical Cross Section: Notes:

1. Wall shall be founded upon Competent Foundation Soils.
2. Slopecloc walls have been designed on a 5kPa Surcharge.
3. Well graded stone fill assumed with the following geo-technical properties Phi' pk=36'.

The number one retaining walling system on the market today.



Keystone's ability to connect positively with proprietary geogrid systems has enabled it to be built to heights over 15 metres worldwide.

Ideal for railway tunnels and bridges – Keystone's simple, dry build construction enables it to handle the most challenging site design and allows railways to remain open while a structure is being built, minimising delay time.

Usage

- Retaining walls
- Embankments
- Culverts
- Bridge abutments
- Tunnel entrances
- Access ramps
- River diversions / flood alleviation schemes

Keystone provides design flexibility to meet the unique challenges of modern commercial development projects.



Keystone walls at Southend-on-Sea



Keystone during construction



Keystone retaining wall in Flint finish

Aesthetic impact

Whether you are building tall retaining walls, short walls, using curves or corners, considering rapid changes in elevation detail or using Keystone with other specialist materials. This proven system enhances the architectural importance of any structure whether new-build or refurbishment.

A Keystone retaining wall offers a positive solution to the most challenging and demanding design and construction requirements. This inner strength is complemented by the aesthetic impact of a system capable of combining classic lines, graceful curves, shadows and textures.

Standard colours



Flint



Yorkstone



Sandstone



Pewter



Ivory

Premium colours

Other special colours can be produced on request subject to quantity.

- The reproduction of colour is as close as is possible within the photographic and printed processes.
- Where precise colour tolerances are vital, you are advised to view actual product samples.
- Whenever practical, blocks should be mixed from more than one pack.

Keystone is a system of modular retaining wall units that are manufactured from high strength, durable concrete which are laid dry and can be used in conjunction with a geogrid to provide tall walls or to accommodate high surcharges. Alternatively, it can be used with or without a concrete backing to create a gravity wall.



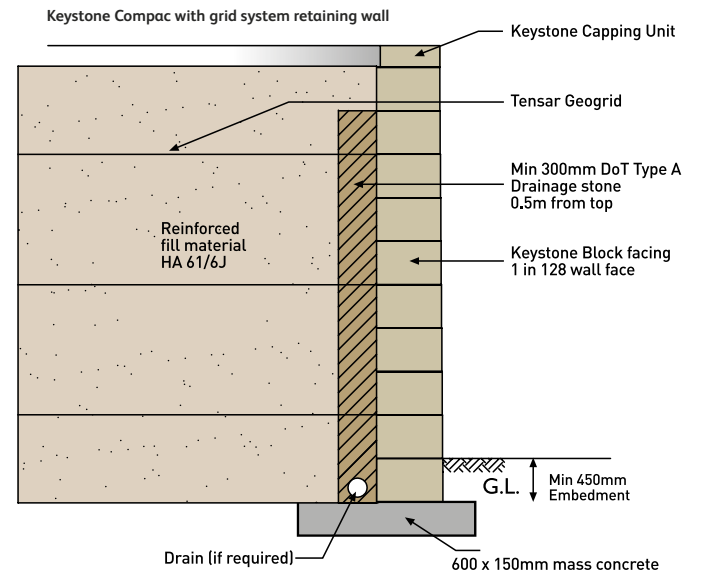
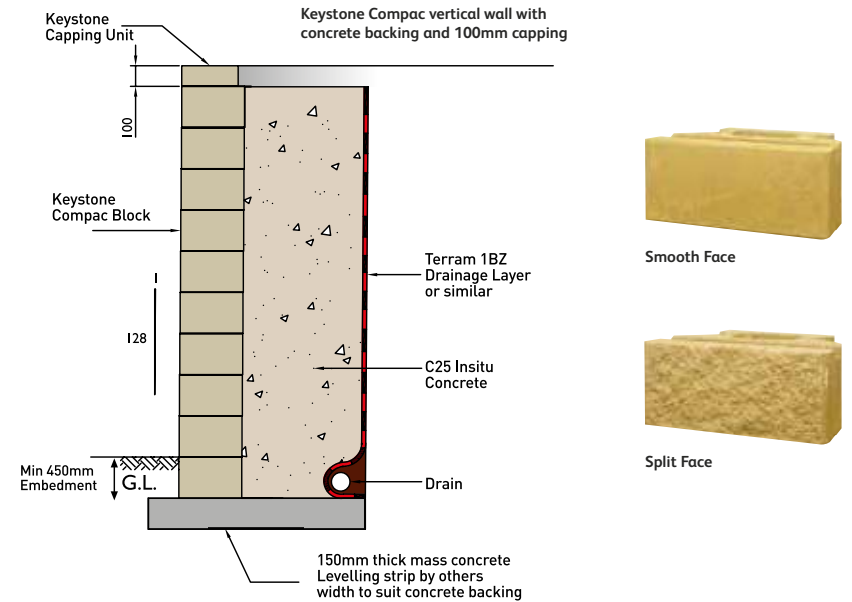
Keystone retaining wall

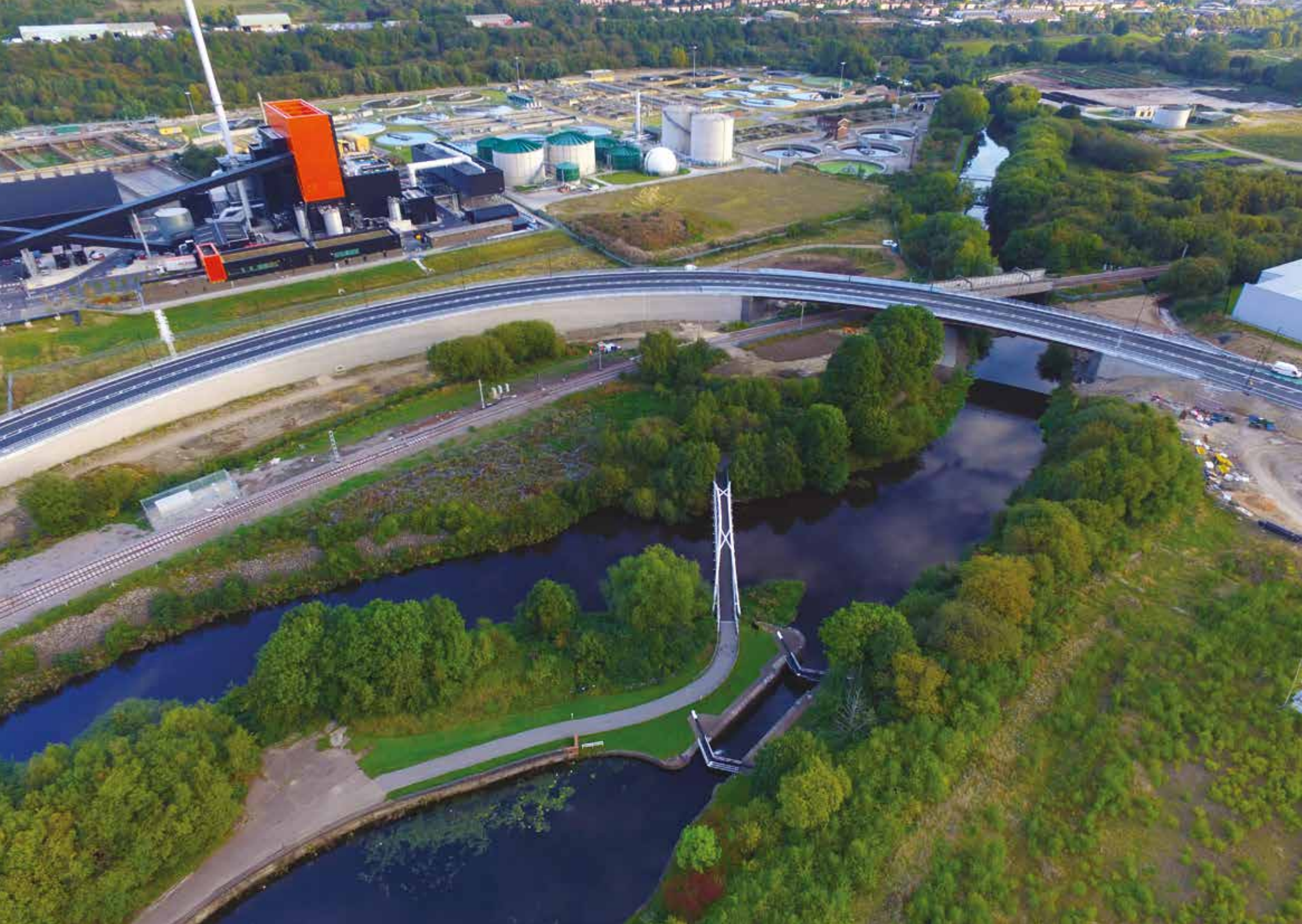


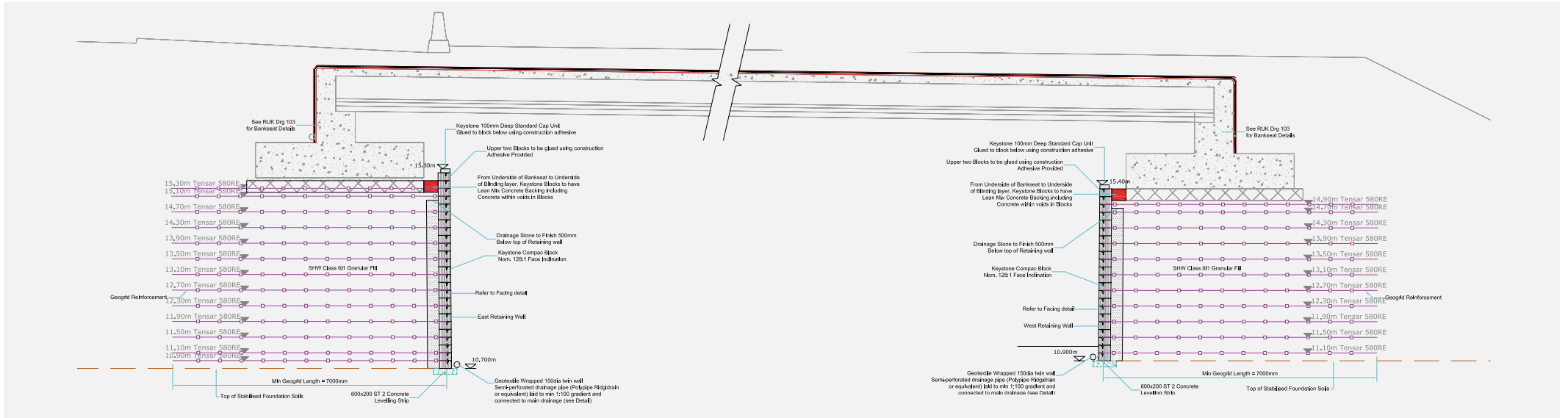
Simple installation of temporary safety railings

Keystone uses a unique high strength fixing system which securely locks the component parts in place. At the centre of the system is the patented blue comb connector that provides exceptionally high connection strengths.

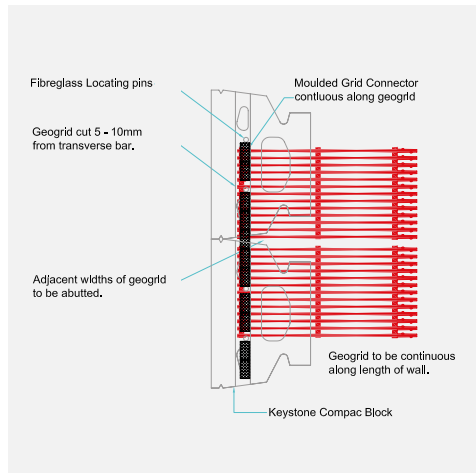
A combination of Keystone modular units, positive pin connections and soil reinforcing geogrids delivers 'rock solid' stability and performance its enhanced connection between grid and block is critical to ensure economic designs.







Bridge abutment diagram



Plan on Compac Block Face

Geogrid

Tensar RE500 Geogrids is a uniaxial geogrid that is manufactured from sheet polyethylene, punched and stretched under temperature-controlled conditions. The RE500 grades are manufactured to give enhanced long-term tensile strength performance, where this is required.

TENSAR GRID		
Product	Roll Dim (m)	Roll area (m ²)
RE510	75 x 1.3	97.5
RE520	75 x 1.3	97.5
RE540	50 x 1.3	65
RE560	50 x 1.3	65
RE570	50 x 1.3	65
RE580	50 x 1.3	65

Connectors - 250 per box



Design

Keystone is available on a design and supply basis. Our engineers have a wealth of knowledge and expertise in the field of Geotechnology.

Wherever possible we aim to work with clients from the outset, in order to offer them the most cost-effective design solutions possible.

Certification

This system has the **British Board of Agrément** approval. This Certificate contains all respective design and construction information.



HAPAS 14/H217

Easy to install

- **Interlocked, mortar-free assembly**
No mortar required, allowing free flow drainage through the wall, releasing hydrostatic loads
- **Patented fibreglass pin system**
These ensure a proper alignment, unit interlock and the ability to create convex or concave curves
- **Rapid installation**
A walling system that allows for faster construction – no mortar, simple foundations and straight-forward build

Ancillary components

A choice of ancillary components are available to add the ‘finishing touches’ to walls and to solve on-site engineering problems.

Design service

We have many years of experience developing our Keystone products and are able to offer exceptional levels of design and service support. We have an experienced technical support team and a very comprehensive design support programme to assist you with your individual requirements.

Creating gravity or unreinforced walls up to 2m high Keystone can be used to create gravity or unreinforced wall up to 2m in height. For most applications, no structural foundation is required and a simple levelling pad will suffice. Even in the case of unreinforced soil walls – only the base course of facing units require bedding on mortar.

Creating reinforced soil walls

For taller and more critical walls, Keystone units are combined with soil reinforcement options to create larger composite structures. With this properly designed combination, the reinforced soil mass can support greater earth pressure and surcharge loads; and the pin/comb fixing concept allows geogrid material to be fully incorporated into the structure of the wall providing an exceptionally strong ‘mechanical’ link.



Railway station walls



Bridge abutment



Anderton Concrete is the UK licensee for Keystone Retaining Wall Systems

The Keystone system comprises of four units – Compac, Corners, Caps and Slips. These units provide the ability to vary height and the opportunity to further explore the variations created by light and shadow by introducing band courses.



Compac

Compac is the perfect choice for either gravity or reinforced walls. Available with a split or smooth finish.

KEYSTONE – COMPAC		
Dimensions L x W x H (mm)	Exposed face area	Weight (kg)
455 x 300 x 200	0.091m ²	39.5
200H Pack Size: 24 – Coverage 2.184m²		

Corner block

Keystone corner block is used to create 90 degree corners. It is available with a split or smooth finish.

KEYSTONE – CORNER BLOCK		
Dimensions L x W x H (mm)	Exposed face area	Weight (kg)
455 x 228 x 200	0.136m ²	43.6
Pack Size: 32 – Coverage 2.92m²		



Caps

Caps are available with a smooth top surface, and in split or smooth profiles.

KEYSTONE – CAPS		
Dimensions L x W x H (mm)	Exposed face area	Weight (kg)
455 x 267 x 100	0.0455m ²	25.9
455 x 228 x 200	0.091m ²	43.5
100H Caps Pack Size: 48 – Coverage 2.184m²		
200H Caps Pack Size: 32 – Coverage 2.912m²		

Slips

Slips are used to face concrete or piled structures to provide continuity of appearance. Split face finish only.

KEYSTONE – SLIPS		
Dimensions L x W x H (mm)	Exposed face area	Weight (kg)
455 x 95 x 200	0.091m ²	17.5
Pack Size: 64 – Coverage 5.82m²		

Concrete block ancillaries



Pre-cast ancillary products to complement traditional beam and block flooring.

Beam and block flooring is the traditional and cost-effective suspended flooring system for ground and upper floors and Anderton Concrete now offers pre-cast ancillary products to complement this system.

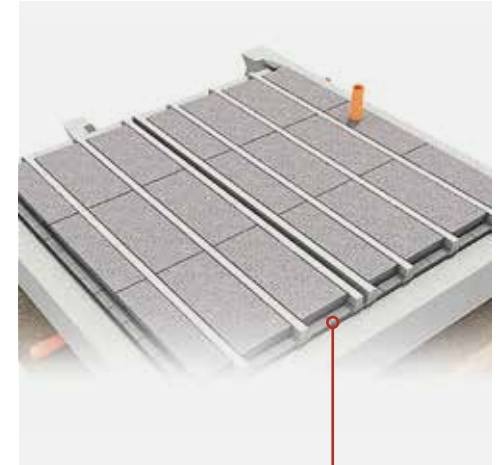
Anderton Concrete coursing slips save a split brick course at side bearing or between end bearing.

Coursing slip

COURSING SLIPS					
Product code	Length (mm)	Width (mm)	Height (mm)	Weight (kg)	Pack Size
COS03510N	385	100	35	2.3	228
COS04510N	385	100	45	2.9	204

Closure blocks

Anderton Concrete closure blocks are designed to fit between floor beams on the bearing ends. This saves cutting bricks or blocks when building the wall through the ends of the beams using standard centres.



Closure block

CLOSURE BLOCKS					
Product code	Length (mm)	Width (mm)	Height (mm)	Weight (kg)	Pack Size
TCL10010N	528	100	138	13.6	56
TCL14010N	528	140	138	19.4	56

- Closure Blocks are available in 10N/mm² strength as standard. For other strengths please contact Sales Office.

Bespoke products

A fully trained, experienced workforce at your service.



Bespoke solutions?
The answer's Anderton.

Anderton Concrete has for many years supplied various precast solutions for many different applications. To further complement its already extensive product range Anderton Concrete offers a bespoke precast manufacturing service.

The Anderton bespoke team offers experience and prides itself in its ability to turn around enquiries to meet the most demanding of deadlines.

Anderton Concrete bespoke provides precast solutions to your individual concepts and designs.

**Providing
precast
solutions**

Sustainability and environment

Anderton Concrete operates in an environmentally responsible manner. The resources and processes that we have put in place are focused on achieving industry best practice standards at all of our locations.



Our environmental policy, applied throughout the company, is to:

- Comply, at a minimum, with all applicable environmental legislation and continually improve our environmental stewardship towards industry best practice
- Ensure that our employees and contractors respect their environmental responsibilities
- Proactively address the challenges of climate change
- Optimise our use of energy and resources through efficiency gains and recycling
- Promote environmentally-driven product innovation and new business opportunities
- Be good neighbours in the many communities in which we operate

Environmental management

Achieving our environmental policy objectives at all our locations is a management imperative; this responsibility continues right up to the Anderton Concrete Products Ltd Board level.

Daily responsibility for ensuring that the Company's environmental policy is effectively implemented lies with individual location managers. These personnel are charged with ensuring that company environmental policies are properly adhered to, and that site managers are fully aware of their responsibilities in this regard.



Certified by BSI – EMS 596268

Health and safety policy

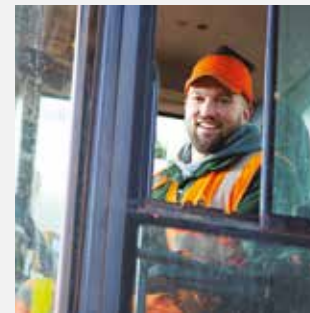


Anderton Concrete seeks to achieve industry best practice standards of health and safety. We recognise that this is a critical issue for all of our stakeholders, particularly for our employees and contractors.

Health and Safety Management

Health and safety is a daily priority of line management. Safety results for the company are closely monitored by senior management and are reported to the Anderton Concrete Products Ltd Board on a monthly basis.

Line management is responsible for ensuring that company health and safety policies are fully adhered to, and that site managers and employees, supported by company safety officers, are trained in health and safety risk analysis and prevention. Where accidents occur they are thoroughly investigated and corrective action is taken to avoid a recurrence. Lessons learned are actively shared via Safety Best Practice groups.



Applied throughout the company, our health and safety policy, is to:

- Comply, at a minimum, with all applicable legislation and continually improve our health and safety stewardship towards industry best practice
- Ensure that our employees and contractors respect the Company's health and safety imperatives
- Ensure that our company provides a healthy and safe workplace for our employees and contractors, and take due care of all customers and visitors at our locations
- Require all our company employees and contractors to work in a safe manner as mandated by law and industry best practice

Safety Performance

We have found that the most common causes of accidents are slips, trips and falls, injury by falling and moving objects and improper manual handling: with additional care and attention by all, many of these accidents are preventable. Our goal is zero accidents.

Due to the nature and size of our business, these are extremely challenging goals. We will continue to devote substantial management and employee time and all the appropriate resources to this area to progress company performance towards those targets.

Product Safety

The products delivered by Anderton Concrete Products Ltd, when properly used, present negligible health risks. Material Safety Data Sheets advising on optimal application procedures are available on request.

At the heart of building

The Ibstock structure

Drawing on over 200 years of experience in building the face of Britain, Ibstock knows that the customer of today needs to get the best value out of their supply partners.

We recognise our responsibilities as a manufacturer to meet all of our customers' needs. By having a product offering spanning across 6 distinct channels, we enable the construction of homes and spaces that inspire people to work and live better. Ibstock is at the heart of building.



WALLING	FACING BRICKS
	SPECIAL BRICKS
	WALLING STONE
	SPECIAL WALLING STONE
	ARCHITECTURAL MASONRY
	CAST STONE
	FAÇADE SYSTEMS
	RETAINING WALLS
	LINTELS, SILLS AND ARCHES



RAIL AND INFRASTRUCTURE	TROUGHING
	CABLE THEFT
	BOARDS, BLOCKS AND BASES
	CATCHPITS
	INSPECTION CHAMBERS



ROOFING	ROOF TILES
	CHIMNEYS
	ROOF WINDOWS
	SOFITS
	ROOFING ACCESSORIES



FLOORING AND GROUNDWORK	FLOOR BEAMS
	DOOR STEPS
	GULLY SURROUNDS
	SCREED RAILS



GARDEN AND LANDSCAPING	FENCING
	CAPS AND COPINGS
	BOLLARDS
	BALUSTRADES
	PATH EDGING
	URBAN LANDSCAPING



BESPOKE SERVICES	ENGRAVING AND CUTTING
	FLOOR BEAM DESIGN AND SUPPLY SOLUTIONS
	BESPOKE CONCRETE PRODUCTS