



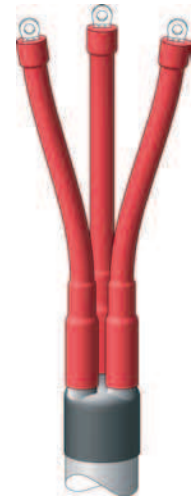
## Heat Shrink Terminations for use on XLPE and Paper Cables 1.9/3.6kV

In conditions of high humidity, chemical and dust contamination, it is recommended that red anti-track materials are used for extra reliability and long term service.



Single Core PILC / XLPE Indoor / Outdoor Type		
Part Number	Cable Range	Tail Length
1TIS-3.6A	25-70mm <sup>2</sup>	300mm
1TIS-3.6B	95-300mm <sup>2</sup>	300mm
1TIS-3.6C	400-630mm <sup>2</sup>	300mm

3 Core PILC / XLPE Indoor / Outdoor Type		
Part Number	Cable Range	Tail Length
3TIS-3.6A	25-70mm <sup>2</sup>	600mm
3TIS-3.6B	95-185mm <sup>2</sup>	600mm
3TIS-3.6C	240-400mm <sup>2</sup>	600mm



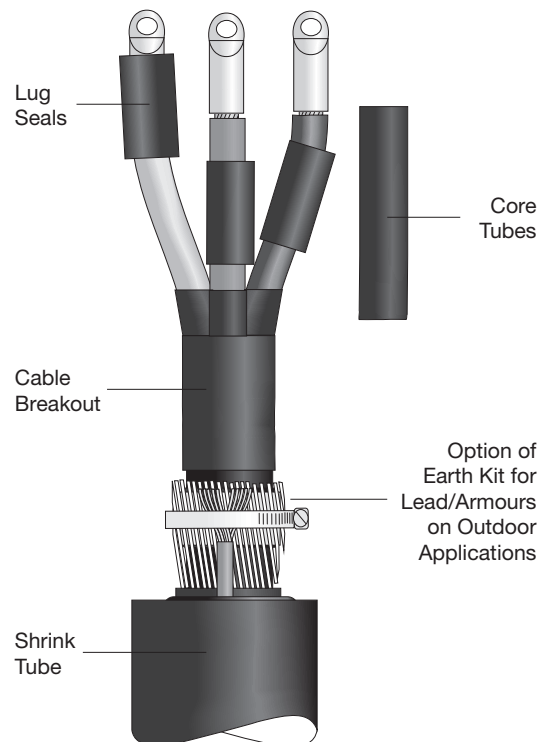
## Heat Shrink Terminations for LV PILC Cables 0.6/1kV

3/4 Core PILC Termination		
Part Number	Cable Range	Tail Length
SPS 4-35-600-3	4-35mm <sup>2</sup>	600mm
SPS 4-35-1000-3	4-35mm <sup>2</sup>	1000mm
SPS 50-150-600-3	50-150mm <sup>2</sup>	600mm
SPS 50-150-1000-3	50-150mm <sup>2</sup>	1000mm
SPS 185-300-600-3	185-300mm <sup>2</sup>	600mm
SPS 185-300-1000-3	185-300mm <sup>2</sup>	1000mm

Table above lists part number for 3 core kits, if 4 core, last digit should read - 4

Example: SPS 50-150-600-4

**Note:** Picture shows outdoor earthing components. If indoor type, the gland kit selected normally takes care of the earthing requirements.

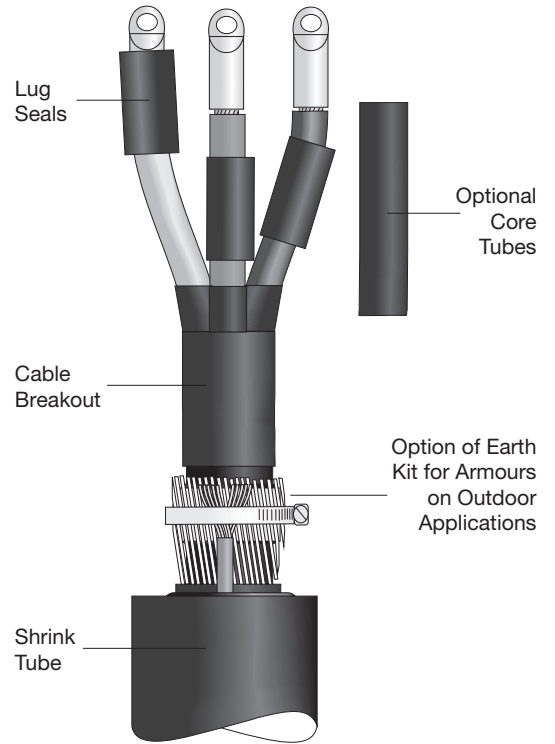


## Heat Shrink Terminations XLPE/SWA/PVC Cables 0.6/1kV

2 Core Type	
Part Number	Cable Range
SPS 4-35-2X	4-35mm <sup>2</sup>
SPS 35-150-2X	35-150mm <sup>2</sup>
SPS 150-400-2X	150-400mm <sup>2</sup>

3 Core Type	
Part Number	Cable Range
SPS 10-35-3X	10-35mm <sup>2</sup>
SPS 50-95-3X	50-95mm <sup>2</sup>
SPS 120-185-3X	120-185mm <sup>2</sup>
SPS 185-300-3X	185-300mm <sup>2</sup>

4 Core Type	
Part Number	Cable Range
SPS 10-35-4X	10-35mm <sup>2</sup>
SPS 50-95-4X	50-95mm <sup>2</sup>
SPS 120-185-4X	120-185mm <sup>2</sup>
SPS 185-300-4X	185-300mm <sup>2</sup>



**Note:** Standard tail length if core tubes are required is 600mm. Terminations for single core cables will be lug seal only. Please specify if alternative length is required.

### Earthing Accessories

If earthing of the armours is required, suffix E1=Indoor EO=Outdoor

*Example: If a 4 core 185mm<sup>2</sup> XLPE/SWA/PVC termination with indoor earthing is required the part number would be: SPS 185-300-4XE1.*

Bolt on earth glands are also available and are listed on pages 15 and 16.

### Test Reports

Independent test reports are available upon request.