

THORNE &
DERRICK
INTERNATIONAL

Thorne & Derrick
+44 (0) 191 410 4292
www.powerandcables.com

MPJEM-U

Low Voltage Industrial Cable Joint Kits

For Un-Armoured Cables (Excludes Connectors)



BI CAST JEM

Application

Straight joints for LV cables with copper conductors from 1.5mm² to 300mm²

Features

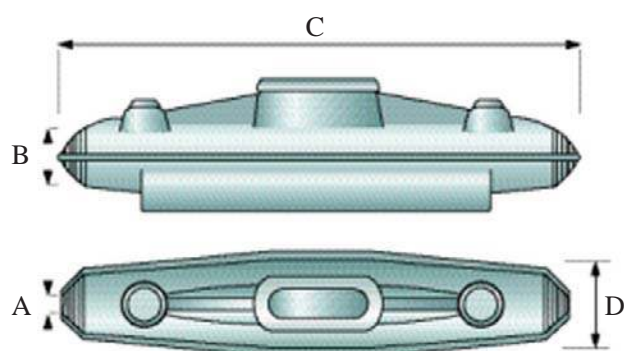
- Low Hazard Isocyanate free JEM resin
 - Twin Pack mixing in clear laminate sachets
 - Extremely low viscosity combined with enhanced adhesion
- Transparent injection moulded polypropylene shells up to size 4 and vacuum formed clear HIPS for the larger sizes.
- Slim-line design for use with compression connectors



MPJEM-U Low Voltage Industrial Cable Joints

Technical Data

- > Low Voltage Straight Joints for 600/1000 Volt unarmoured polymeric insulated copper conductors.
- > Tested and approved to BS EN 50393 & ENA ER C81
- > JEM Resin
 - Easier mixing in "Twin Pack" totally enclosed mixing in a clear laminate sachet.
 - Extremely low mix viscosity allows void free joint filling.
 - JEM Resin is insensitive to moisture and will cure under water.
 - Enhanced adhesion to XLPE, MDPE, PVC & lead.
 - High flash point, non-flammable liquid - No special storage or transport requirements.
 - Not classified as irritating to the skin or eyes.
 - Does not cause skin sensitization.



Shell Dimensions

Joint Ref.	Min. box entry Ø 'A'	Max. box entry Ø 'B'	Box length 'C'	Internal Ø 'D'
MPJEMJ1U	12mm	26mm	185mm	35mm
MPJEMJ2U	14mm	32mm	245mm	48mm
MPJEMJ3U	23mm	39mm	325mm	52mm
MPJEMJ4U	28mm	50mm	375mm	68mm
MPJEMJ5U	32mm	58mm	520mm	102mm
MPJEMJ6U	45mm	75mm	705mm	124mm
MPJEMJ7U	40mm	89mm	862mm	140mm
MPJEMJ8U	57mm	95mm	900mm	150mm

Table 1

Joint selection for 2, 3 and 4 core Un-Armoured Cables

Nominal Area of Conductor	Two Core Ref.	Three Core Ref.	Four Core Ref.	Connector Ref.
1.5mm ²	MPJEMJ1U	MPJEMJ1U	MPJEMJ1U	BERS
2.5mm ²	MPJEMJ1U	MPJEMJ1U	MPJEMJ1U	BEBS
4mm ²	MPJEMJ1U	MPJEMJ1U	MPJEMJ1U	BEYS
6mm ²	MPJEMJ1U	MPJEMJ1U	MPJEMJ1U	BT6CS
10mm ²	MPJEMJ1U	MPJEMJ1U	MPJEMJ1U	BT10CS
16mm ²	MPJEMJ1U	MPJEMJ1U	MPJEMJ1U	BT16CS
25mm ²	MPJEMJ1U	MPJEMJ1U	MPJEMJ2U	BT25CS
35mm ²	MPJEMJ2U	MPJEMJ2U	MPJEMJ2U	BT35CS

Nominal Area of Conductor	Two Core Ref.	Three Core Ref.	Four Core Ref.	Connector Ref.
50mm ²	MPJEMJ2U	MPJEMJ2U	MPJEMJ3U	BT50CS
70mm ²	MPJEMJ3U	MPJEMJ3U	MPJEMJ4U	BT70CS
95mm ²	MPJEMJ4U	MPJEMJ4U	MPJEMJ4U	BT95CS
120mm ²	MPJEMJ4U	MPJEMJ4U	MPJEMJ5U	BT120CS
150mm ²	MPJEMJ5U	MPJEMJ5U	MPJEMJ5U	BT150CS
185mm ²	MPJEMJ5U	MPJEMJ5U	MPJEMJ5U	BT185CS
240mm ²	MPJEMJ5U	MPJEMJ5U	MPJEMJ6U	BT240CS
300mm ²	MPJEMJ6U	MPJEMJ6U	MPJEMJ6U	BT300CS



Note: Un-armoured cables have varying constructions so it is advisable to check the cable O/D with table 1 above. MPJEMJ-U joints are provided without connectors - compression connectors can be provided separately.