

900SA-CD Interface F Surge arrester

72.5 kV

Application

Surge arrester designed to protect 72.5 kV class components, including transformers, equipment, cable and accessories from high voltage surges resulting from lightning or switching.

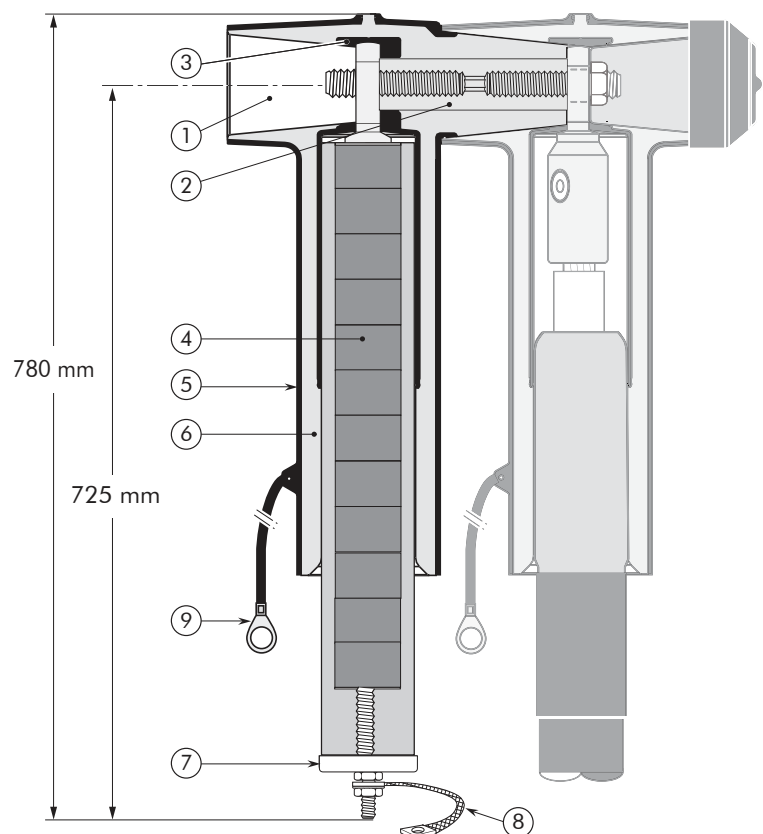
Technical characteristics

- This surge arrester is a metal oxide varistor surge arrester in an elbow configuration.
- Each separable surge arrester is tested for AC withstand and partial discharge prior to leaving the factory.

U (U_m)
60-69 (72.5) kV

Design

1. Type F interface ref. CENELEC EN 50180 and 50181
2. Bus for 909PB/G (contact rod and stud)
3. Conductive EPDM insert
4. Metal oxide valve elements
5. Conductive EPDM jacket
6. Insulating EPDM layer moulded between the insert and the jacket
7. Steel cap
8. Earthing connection
9. Earthing lead



It has been designed to be used with the R909TB/G separable tee connector.

Specifications and standards

The 900SA-CD surge arresters meet the test requirements of IEC 60099-4 and EN 60099-4.

Surge arrester type	Nominal discharge current I _n (kA)	Rated voltage U _r (kV)	Max. continuous operating voltage* U _c (kV)	I _{sc} Rated short-circuit current (kA, 0.2s)
900SA-10-74-CD20	10	74	59.2	20
900SA-10-74-CD31.5	10	74	59.2	31.5

* Other voltage on request.

For detailed electrical ratings please see page 29-30.

Kit contents

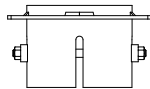
The complete 900SA-CD surge arrester kit comprises 1x the following components:

The kit also comprises:
 + installation instructions
 + silicone grease and nylon vent rod
 + gloves and wiper
 + contact rod and stud



Surge arrester
900SA-CD

+



Support
900SA

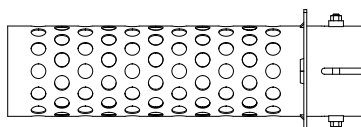
=

900SA-10-74-CD20
surge arrester kit



Surge arrester
900SA-CD

+



Cover
900SA

=

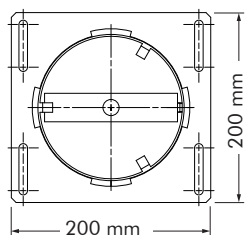
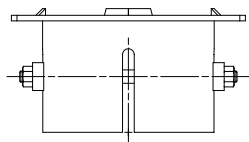
900SA-10-74-CD31.5
surge arrester kit

Ordering instructions

For rated short-circuit current 31.5 kA, 0.2s order the surge arrester kit 900SA-10-74-CD31.5.

Support 900SA

To support the weight of the surge arrester.



Cover 900SA

To obtain an increased short circuit level up to 31.5 kA.

To support the weight of the surge arrester.

