

**R909TB/G**  
**Interface F**  
**Tee connector**

**72.5 kV**  
**1250 A\***

**Application**

Separable tee shape connector designed to connect polymeric insulated cable to equipment (transformers, switchgears, ...). Also connects cable to cable when using the appropriate mating parts.

**Technical characteristics**

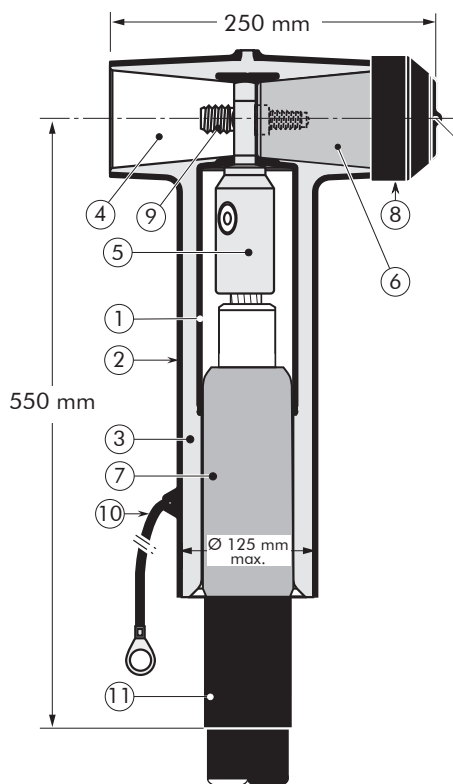
- The thick conductive EPDM jacket provides a total safe to touch screen which ensures safety for personnel.
- Each separable connector is tested for AC withstand and partial discharge prior to leaving the factory.

**U (U<sub>m</sub>)**  
**60-69 (72.5) kV**

**Design**

1. Conductive EPDM insert
2. Conductive EPDM jacket
3. Insulating EPDM layer moulded between insert and jacket
4. Type F interface ref. CENELEC EN 50180 and 50181
5. Conductor connector (hexagonal crimping or bolted type)
6. Basic insulating plug
7. Cable reducer
8. Conductive EPDM cap
9. Stud + nut + washer
10. Earthing lead
11. Heat-shrinkable sleeve

The screen break design enables cable outer sheath testing without removing or dismantling the connector.



**Specifications and standards**

The R909TB/G separable tee connector is type tested acc. to IEC 60840.

Separable connector type	Max. operating voltage U <sub>m</sub> (kV)	Continuous current I <sub>n</sub> (A)	Conductor cross-section** (mm <sup>2</sup> )	
			min	max
R909TB/G	72.5	1250*	95	1200

\* When installed on an appropriate equipment bushing.

\*\* Indicative for cables with 10 mm insulation wall thickness.

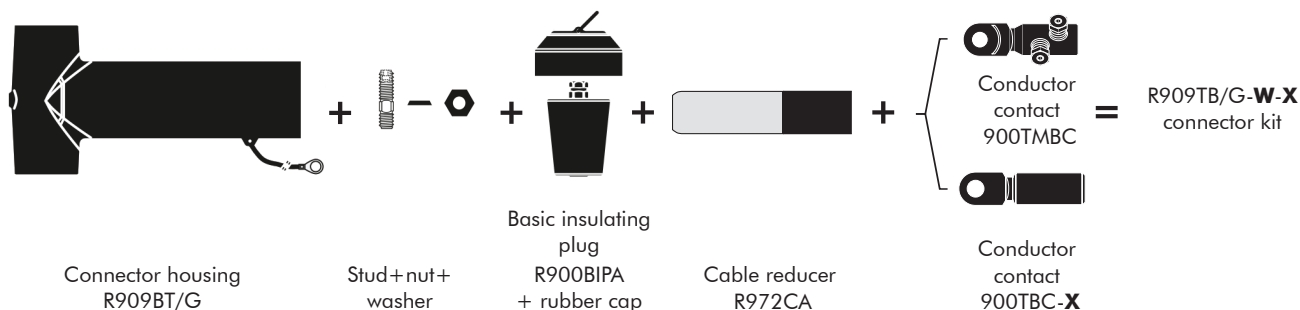
For detailed electrical ratings please see page 29-30.

## Kit contents

The complete R909TB/G tee connector kit comprises 1x the following components:

The kit also comprises:

- + installation instructions
- + silicone grease
- + sealing mastic
- + gloves
- + roll adhesive tape
- + heat-shrinkable sleeve



## Ordering instructions

To order the tee connector, select the ordering part number which gives you the best centering of your core insulation diameter and substitute **X** using **Table X**, according to your conductor size and type.

### Order example:

The copper wire screened cable is 72.5 kV, 800 mm<sup>2</sup> round stranded aluminium with a diameter over XLPE core insulation of 58 mm after preparation and 50 mm<sup>2</sup> copper wire screen.  
Order  
R909TB/G-50-800.1200-14-5  
+ 50x10KU-V tee connector kit.

For screen wire cable lug please see page 17-18.

Table W

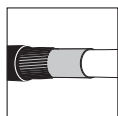
Ordering part number	Ø over core insulation* (mm)	
	min.	max.
3 x R909TB/G-25-X	27	33.5
3 x R909TB/G-30-X	32.5	41
3 x R909TB/G-37-X	40	48
3 x R909TB/G-43-X	46.5	51
3 x R909TB/G-46-X	49.5	55
3 x R909TB/G-50-X	54	59
3 x R909TB/G-53-X	57	64
3 x R909TB/G-58-X	62.5	68

\* after cable preparation

Table X

Conductor size (mm <sup>2</sup> )	Aluminium and Copper conductor (RMV)		Copper conductor (RMV)
	Bolted		DIN hexagonal
95	95.240-14-5	185.400-14-5	95(K)M-11-2
120			120(K)M-11-2
150			150(K)M-11-2
185	400.630-14-5	800.1200-14-5	185(K)M-11-2
240			240(K)M-11-2
300			300(K)M-11-2
400	800.1200-14-5	1200(K)M-11-2	400(K)M-11-2
500			500(K)M-11-2
630			630(K)M-11-2
800	1200(K)M-11-2	1200(K)M-11-2	800(K)M-11-2
1000			1000(K)M-11-2
1200			1200(K)M-11-2

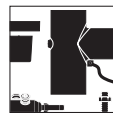
RMV: round stranded compacted conductors



For use with copper wire screened cables. No further earthing device is necessary.



For use with other cable types. Please contact our representative.



Components can be ordered individually.



When installed on an appropriate equipment bushing: 1250 A continuously.