

Surge arrester POLIM-R..-2ND



Overvoltage protection of

- Traction systems (fixed installations and rolling stock)

Application

- Direct current (DC)
- Outdoor and indoor

Technical data

Surge arrester with metal oxide resistors without spark gaps (MO surge arrester), direct molded silicone housing, grey color, designed and tested according EN 50526-1.

Nominal discharge current I_n 8/20 μ s	20 kA peak
Class	DC-B
High current impulse I_{hc} 4/10 μ s	100 kA peak
Switching current impulse I_{sw} 30/60 μ s	2000 A peak
Charge transfer capability Q_t	5 As
Energy withstand capability W	19 kJ/kV _{Uc}
Short circuit rating I_s	20 kA DC for 0.2 s

The thermal stability of the MO surge arrester is proved in the operating duty test according class DC-B with two times the charge transfer capability (total 10 As).

The arrester POLIM-R..-2ND has with $Q_t = 5$ As twice the charge transfer capability as required in minimum for class DC-B.

Mechanical loads

Torque moment	20 Nm
Short term load SSL horizontal to axis	60 Nm
Long term load SSL horizontal to axis	30 Nm

Shock and vibration tested according IEC 61373.

General data

Ambient air temperature	-60 to +40 °C (for higher values contact manufacturer)
Altitude	up to 1800 m (for higher values contact manufacturer)



Thorne & Derrick
+44 (0) 191 410 4292
www.powerandcables.com

Electrical data

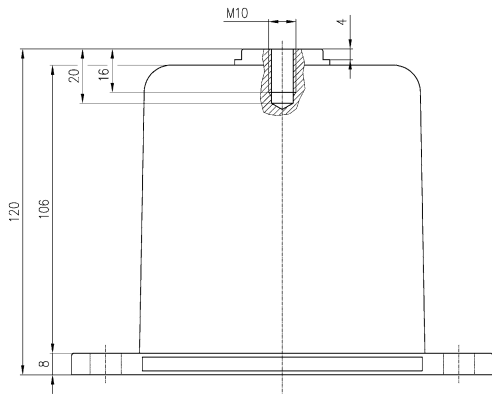
$U_c (= U_r)$ * Continuous operating voltage	Residual voltage U_{res} in kV peak at specified impulse current									
	wave 1/... μ s		wave 8/20 μ s					wave 30/60 μ s		
kV DC	10 kA	20 kA	2 kA	4 kA	10 kA	20 kA	40 kA	500 A	1000 A	2000 A
0.14	0.35	0.38	0.30	0.32	0.33	0.34	0.38	0.28	0.29	0.30
0.29	0.72	0.77	0.61	0.64	0.68	0.70	0.77	0.58	0.60	0.61
0.36	0.88	0.94	0.75	0.79	0.83	0.86	0.94	0.71	0.73	0.75
0.49	1.20	1.28	1.02	1.07	1.13	1.17	1.28	0.96	0.99	1.02
0.56	1.37	1.47	1.17	1.23	1.29	1.34	1.47	1.10	1.14	1.17
0.85	2.08	2.22	1.77	1.86	1.95	2.03	2.22	1.67	1.72	1.77
1.0	2.43	2.60	2.08	2.18	2.29	2.38	2.60	1.96	2.01	2.07

* The rated voltage U_r of the arrester coincides with the continuous operating voltage U_c .

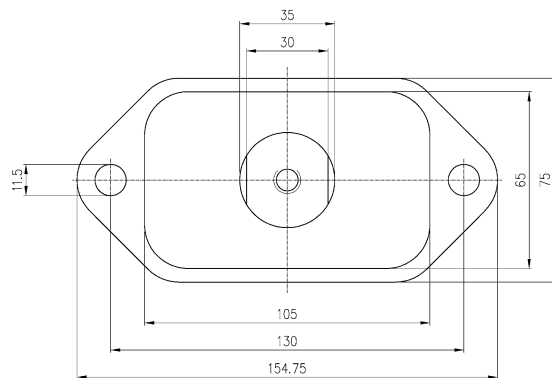
Housing

U_c Continuous operating voltage	Creepage distance	Flashover distance	Height	Weight	Insulation withstand voltage of empty housing			
					1.2/50 μ s		1 min wet	
					required values acc. to EN	guaranteed	required values acc. to EN	guaranteed
kV DC	mm	mm	mm	kg	kV peak	kV peak	kV DC	kV DC
0.14	115	115	120	< 1.5	0.50	20	0.34	10
0.29	115	115	120	< 1.5	1.03	20	0.70	10
0.36	115	115	120	< 1.5	1.27	20	0.86	10
0.49	115	115	120	< 1.5	1.72	20	1.17	10
0.56	115	115	120	< 1.5	1.97	20	1.34	10
0.85	115	115	120	< 1.5	2.99	20	2.03	10
1.0	115	115	120	< 1.5	3.50	20	2.38	10

Dimensions (mm)



Standard dimensions without accessories
(may be subject to changes)
Dimensions according outline drawing 1HC0015766
Outline drawings with accessories on request



Structure of type designation

POLIM-R 0.14-2 ND

Type of arrester _____
 U_c = Continuous operating voltage _____
 Housing _____
 Direct current _____

For further information please contact:

**ABB Switzerland Ltd
High Voltage Products**

Surge Arresters

Jurastrasse 45

CH-5430 Wettingen/Switzerland

Tel. +41 58 585 29 11

Fax +41 58 585 55 70

E-mail: sales.sa@ch.abb.com

www.abb.com/arrestersonline

For detailed information regarding the dimensioning of our products see the following ABB documents:

- Application guidelines
Overvoltage protection
Metal oxide surge arresters in medium voltage systems
- Application guidelines
Overvoltage protection
Metal oxide surge arresters in railway facilities

For pdf or print version please send E-mail to:
sales.sa@ch.abb.com

Note

We reserve the right to make technical changes or modify the contents of this document without prior notice. With regard to purchase orders the agreed particulars shall prevail. ABB AG does not accept any responsibility whatsoever for potential errors or possible lack of information in this document. We reserve all rights in this document and in the subject matter and illustrations contained therein. Any reproduction, disclosure to third parties or utilization of its contents – in whole or in parts – is forbidden without prior written consent of ABB AG.

Copyright © 2013 ABB
All rights reserved

1HC009395 E01 AB



Thorne & Derrick
+44 (0) 191 410 4292
www.powerandcables.com

Power and productivity
for a better world™

