

SRDI HEAT-SHRINKABLE THREE CORE XLPE INDOOR TERMINATION

Up to 36 kV

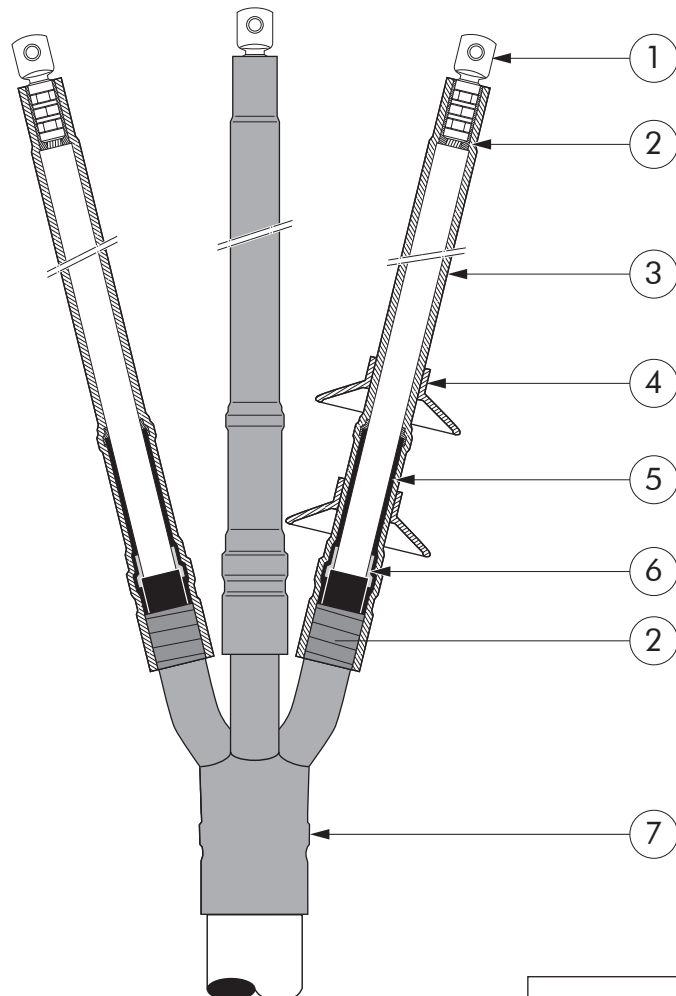
6/10 (12) kV
6.35/11 (12) kV
8.7/15 (17.5) kV
12/20 (24) kV
12.7/22 (24) kV
18/30 (36) kV
19/33 (36) kV

Application

Heat-shrinkable terminations for three core polymeric cables, widely used by power utilities and in industrial applications. For use indoor in controlled environmental conditions.

Design

1. Cable lug (supplied on request).
2. Water sealing mastic.
3. Anti-tracking heat-shrinkable tube.
4. Anti-tracking sheds (when required).
5. Stress control heat-shrinkable tube.
6. Stress control mastic.
7. Break-out.



Specifications and standards

Meets the requirements of CENELEC HD 629.1 and IEC 60502-4.

Ordering instructions

Select the part number and add both system voltage and conductor size range.

Example part number:
SRDI 12/120-240

Termination type	Voltage class (Um)	12 kV (&17 kV)	24 kV	36 kV
SRDI	Cable cross section (mm ²)	35-95	25-70	50-120
		120-240	95-185	150-240
		240-500	240-400	240-400



For use with other sizes and cable types. Please contact our representative.

11/2012