



Terminations / Joints and Accessories for 11kV Triplex Cable

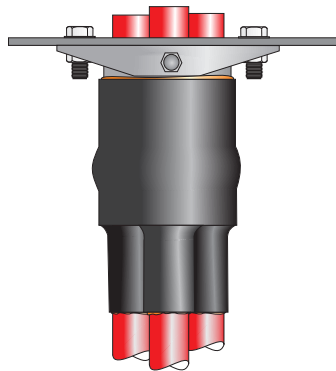
Triplex cable is essentially 3 x single core cables spun together in “triplex” formation. Used extensively by the UK electricity companies and medium voltage jointing contractors, it’s easier and quicker to install than either 3 core or separate single core cables.

Shrink Polymer Systems offer a range of products from stock to suit.



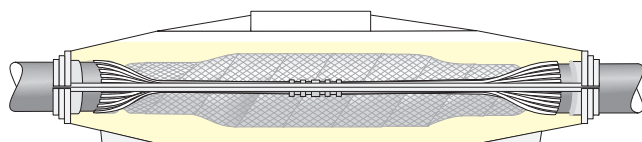
Terminations		
Part Number Indoor	Cable Range	Part Number Outdoor
1TIS-12TX-B	95-185mm ²	1TES-12TX-B
1TIS-12TX-C	300mm ²	1TES-12TX-C

For Bushing Protection Boots, see page 13 and 14



Bolt On Heat Shrink Glands	
Part Number	Cable Range
SPS 1197	95mm ²
SPS 1095	185-300mm ²

Heat Shrink Joints	
Part Number	Cable Range
SPJ 12TX-95-185-1	95-185mm ²
SPJ 12TX-185-300-1	185-300mm ²



Heat Shrink / Resin Combination Joints	
Part Number	Cable Range
SPUJ 12TX-95-185-1	95-185mm ²
SPUJ 12TX-185-300-1	185-300mm ²

Notes: For cold applied or heat shrink bushing protection boots, see page 13 and 14. For shearbolt mechanical lugs and ferrules, see page 42. For cable preparation tools, see page 43. For trifurcating joints (3 core to 3 x single core, see page 23) Cold shrink versions of the above can also be supplied