



Cembre



**PORTABLE ELECTRO-HYDRAULIC PUMP
 GROUPE HYDRO-ELECTRIQUE PORTATIF
 TRAGBARE ELEKTRO-HYDRAULISCHE PUMPE
 BOMBA ELECTRO-HIDRAULICA PORTATIL
 POMPA ELETTRO-OLEODINAMICA PORTATILE**

B70M-P24

B70M-P24A

B70M-P24-KV

B70M-P24A-KV

B85M-P24



ENGLISH

OPERATION AND MAINTENANCE MANUAL 4

FRANÇAIS

NOTICE D'UTILISATION ET ENTRETIEN 10

DEUTSCH

BEDIENUNGSANLEITUNG 16

ESPAÑOL

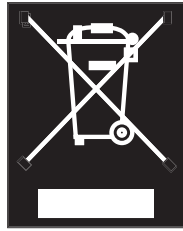
MANUAL DE USO Y MANTENIMIENTO 22

ITALIANO

MANUALE D'USO E MANUTENZIONE..... 28



**WARNING LABEL - ETIQUETTES SIGNALÉTIQUE - HINWEISSCHILDER -
ETIQUETA DE ATENCION - ETICHETTA AVVERTENZE**



See page 47
Voir page 47
Siehe Seite 47
Vease página 47
Vedere pag. 47

	<ul style="list-style-type: none"> – Before using the pump, carefully read the instructions in this manual. – Avant d'utiliser ce groupe, lire attentivement les instructions de cette notice. – Vor Inbetriebnahme unbedingt die Bedienungsanleitung durchlesen. – Antes de utilizar la bomba, leer atentamente las instrucciones contenidas en este manual. – Prima di utilizzare la pompa, leggere attentamente le istruzioni contenute in questo manuale.
	<ul style="list-style-type: none"> – Do not short circuit the batteries. – Ne jamais court-circuiter les bornes d'une batterie. – Schliessen Sie die Kontakte nicht kurz. Brandgefahr! – No poner en cortocircuito las baterías. – Mai mettere in corto circuito le batterie.
	<ul style="list-style-type: none"> – Always recycle the batteries. – Recycler toujours les batteries. – Verbrauchte Akkus stets dem Recycling zuführen. – Reutilizar siempre las baterías. – Riciclate sempre le batterie.
	<ul style="list-style-type: none"> – Do not discard batteries into garbage can or the like. – Ne pas jeter de batteries dans une poubelle ou autre lieu non prévu à cet effet. – Verbrauchte Akkus nicht der allgemeinen Abfallentsorgung zuführen. – No tirar las baterías al cubo de basura o lugar parecido. – Non buttate le batterie fuori uso nei cestini della spazzatura o luoghi simili.

- Pump type
- Groupe type
- Pumpe Typ
- Bomba tipo
- Tipo di pompa
- Year
- Année
- Jahr
- Año
- Anno
- Max oil pressure
- Pression max. d'huile
- Max. Arbeitsdruck
- Presión max aceite
- Pressione massima olio
- Motor supply
- Alimentation moteur
- Versorgung Motor
- Alimentación motor
- Alimentazione motore
- Oil supply
- Debit d'huile
- Fördermenge
- Caudal de aceite
- Portata olio



WAARSCHUWINGEN

- Keep the pump and flexible hose away from naked flames and sources of heat above 70°C.
- The factory fitted spring steel, spiral guards must be in place at each end of the flexible hose.
- Do not touch the flexible hose when under pressure.
- When using the pump, the flexible hose must be uncoiled and laid out straight.
- Before connecting or disconnecting the couplings, check that the oil pressure is zero.

- Tenir la pompe et le flexible éloignés des flammes et des sources de chaleur supérieures à 70°C.
- Les extrémités du flexible doivent être dotées des protections prévues.
- Ne pas toucher le flexible quand il est sous pression.
- Étendre complètement le flexible pendant l'utilisation de la pompe.
- Avant de brancher ou de débrancher le raccord rapide, vérifier que la pression de l'huile est nulle.

- Pumpen und schläuche sind von flammen bzw. von wärmequellen mit einer temperatur von mehr als 70°C entfernt zu halten.
- Die enden des schlauches müssen mit den vorgesehenen schutzelementen versehen sein.
- Der unter druck stehende schlauch darf nicht berührt werden.
- Der schlauch muss bei der benutzung ausgerollt und flach ausgelegt sein.
- Vor dem verbinden oder lösen der schnellkupplungen muss kontrolliert werden das die pompe drucklos ist.

- Mantener la bomba y la manguera flexible alejados de llamas y de fuentes de calor con temperatura superior a 70°C
- Los extremos de la manguera flexible deben estar dotadas de las protecciones previstas.
- No tocar la manguera flexible cuando se encuentra bajo presión.
- Extender completamente la manguera flexible durante la utilización de la bomba.
- Antes de acoplar o de desacoplar los acoplamientos rápidos, comprobar que la presión del aceite sea nula.

- Tenere la pompa ed il tubo flessibile lontani da fiamme libere e da fonti di calore superiori a 70°C.
- Sulle estremita' del tubo flessibile devono essere presenti le protezioni previste.
- Non toccare il tubo flessibile quando questo é in pressione.
- Stendere completamente il tubo flessibile durante l'utilizzo della pompa.
- Prima di connettere o sconnettere gli innesti rapidi, verificare che la pressione dell'olio sia nulla.

1. GENERAL CHARACTERISTICS

		B70M-P24 B70M-P24-KV	B70M-P24A B70M-P24A-KV	B85M-P24
Max operating pressure	bar (psi)	700 (10,000)		850 (12,150)
Oil supply	litres/min (gpm)	0,6 (0.16)		0,5 (0.13)
Weight with battery	kg (lbs)	9,2 (20.2)		10 (22)
Degree of protection		IP 54		
Motor	Volt DC	24		
Operating temperature	°C (°F)	-10 to +50 (+14 to +122)		
Battery		24 Volt NiMH		
Battery charger supply	Volt / Hz	220 - 240 / 50 - 60	120 / 50 - 60	220 - 240 / 50 - 60
Oil reservoir capacity	cm ³ (gal.)	1000 (0.26)		
Recommended oil		AGIP ARNICA 22 or equivalent		
Recommended oil for "KV" versions		TOTAL DIEKAN 1640 or equivalent		
Dimensions: LxWxH	mm (inch.)	390x163x323 (15.3x6.4x12.7)		

Safety: the pump is fitted with a maximum pressure valve and pressure switch; **MPC1** gauge, is available upon request (see pag. 42) to check the proper setting of the pressure switch.

Acoustic Noise (Directive 2006/42/EC, annexe 1, point 1.7.4.2 letter u)

- The weighted continuous acoustic pressure level equivalent A
at the work place L_{pA} is equal to 63,9 dB (A)
- The maximum value of the weighted acoustic displacement pressure C
at the work place L_{pCPeak} is..... < 130 dB (C)
- The acoustic power level emitted by the machine L_{WA}
is equal to..... 74,5 dB (A)



Hydraulic pumps manufactured by Cembre S.p.A. are developed for use with crimping or cutting heads. According to this specific use, they do not need and are not equipped with an oil non-return safety system.

For this reason, use in applications different from those intended (for example with hydraulic jacks, lifting systems or similar) can be dangerous for the operator.

Cembre S.p.A. does not accept any liability arising from the use of its hydraulics pumps for applications different from those listed in its catalogues or other documentation.

2. UNIT DESCRIPTION (Ref. to Fig. 9)

* Not applicable to insulated pump

- 01 HYDRAULIC PUMP
- 02 OIL FILLER CAP (CODE 6800076)
- 03 ANCHOR RING FOR SHOULDER STRAP (CODE 6040427)
- 04 INTEGRAL HANDLE
- 05 MECHANICAL PRESSURE RELEASE BUTTON (CODE 6000476)
- 06 BATTERY RESIDUAL POWER DISPLAY
- 07 SOCKET FOR CONNECTING THE REMOTE HAND CONTROLLER
- 08 SOCKET FOR CONNECTING TO EXTERNAL 24V DC SUPPLY*
- 09 QUICK RELEASE FEMALE AUTOMATIC HYDRAULIC COUPLER (CODE 6060122)
- 09 QUICK RELEASE FEMALE AUTOMATIC HYDRAULIC COUPLER, for use with insulated pump only (CODE 6060130)
- 10 REMOTE HAND CONTROLLER* (CODE 2596112)
- 11 Ni-MH RECHARGEABLE BATTERY
- 12 SELF-VENTILATING BATTERY CHARGER, 220 - 240 V / 50-60 Hz (CODE 2596100)
- 13 3 METRE (9.8 ft) HIGH PRESSURE FLEXIBLE HOSE WITH QUICK RELEASE MALE/FEMALE AUTOMATIC HYDRAULIC COUPLINGS*
- 14 SHOULDER STRAP (CODE 6000354)
- 15 CANVAS BAG TYPE CVB-009 FOR STORING ACCESSORIES (CODE 2593309)
- 16 REMOTE PNEUMATIC HAND CONTROLLER, for use with insulated pump only (CODE 2596113)

3. INSTRUCTION FOR USE

The pump is supplied with the battery completely discharged; before use, fully charge the battery using the charger supplied (see § 3.5).

In order to extract the battery from its housing we recommend you lay the pump on its back (see Fig. 2): press the release button downwards (1) remove the battery (2); to insert it, simply slide it in along the guides until it locks.

3.1) Setting up

- Carry the pump using the integral handle (04) or the shoulder strap (14) attached to the rings (03) (see Fig. 9).
- Position the pump on a flat surface. There are two stable work positions recommended:
 - *vertical*, resting on its base.
 - *horizontal*, resting on its back where moulded ribs improve firmness and stability (see Fig. 3). Should it be necessary however, the pump's hermetically sealed hydraulic circuit allows it to operate in any position.
- Remove "REMOTE CONTROLLER" protective cap, connect the remote hand controller to the socket (07) (see Fig. 4): tighten the plug (90) by turning the bezel clockwise until it locks.
- Check the high pressure hose (13), if abrasions are evident, or if the hose is kinked or damaged, do not use; connect the hose to the hydraulic head, and to the corresponding female coupler (09) on the pump (see Fig. 5).

3.2) Operation

- Operate push button (GREEN) on the remote hand controller (10) to activate the motor and pump oil to the hydraulic head.
- The pump will stop automatically when the nominal operating pressure is achieved, and oil pressure will be maintained, conserving battery capacity. If the push button is released before the nominal operating pressure is reached, the pump will stop and will maintain the oil pressure at the achieved level. To complete the operating cycle, press and hold the push button.
- By pressing the pressure release button (RED) the ram of the hydraulic head connected to the pump will retract. To interrupt the "RETURN OIL" stage, release the button: the ram of the hydraulic head will stop in the position reached.

i *If required, by pressing hard on the mechanical pressure release button (05), positioned on the front of the pump, the oil will return to the reservoir whatever the status of the battery or external power supply.*

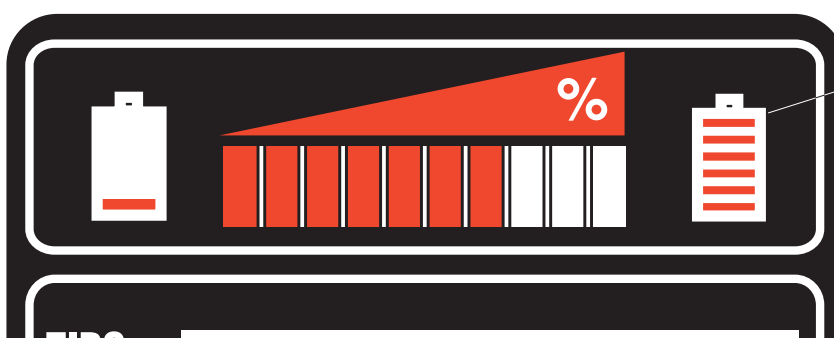
! *Do not build up pressure if the pump is not connected to the flexible hose and the head, this may damage the pump quick coupler (09), thus originating oil seepage.*



3.3) Battery status

Inserting the battery into the pump or releasing the operating push button, automatically displays the residual power level for 5 seconds (06).

The number of led's illuminated indicates the residual power level:



06

- 10 leds illuminated: fully charged
- 5 leds illuminated: 50 % capacity
- 1 led illuminated: minimum charge

3.4) Power from an external source (Ref. to Fig. 6)

Using the integral socket (08) (see Fig. 6) the pump can operate from a external power supply (24 V dc - min. 30A).

Using a connecting cables **type ESC...**, available as optional accessories , proceed as follows:

- **Make sure that the voltage is 24V dc.**
- Connect the cable **ESC...** to the external supply, for the cable with spring clips be sure to comply with the polarity: red (+), black (-).
Should the polarity be accidentally reversed, the tool will not be damaged but will operate using only the integral battery (11). For rectification, reposition the clips correctly.
- Remove the "24V DC" protective cap and connect the other end of the **ESC...** cable to the socket (08) of the pump; tighten the plug (91) by turning the bezel clockwise until it locks.
- When the work is finished, disconnect the cable and replace the protective cap.



When operating with power supply from an external source, never short circuit the metal contacts inside the battery housing. we advise leaving the battery (11) in its housing, where it will supply power in parallel with the external source.

3.5) Using the battery charger

Carefully follow the instructions in the battery charger manual.

The charging time with the specific charger supplied is approx. 60 minutes.

3.6) General information on how to use batteries

To use the batteries correctly, please follow these rules:

- Use the battery until the residual power display still has 1-2 red leds showing (see § 3.3): this means the battery is almost completely discharged and no loss of the life of the battery has occurred.
- Charge the battery before completely discharging.
- Be particularly careful when charging a new battery the first 2-3 times, in order to ensure maximum available power.
- Allow the battery to cool down to ambient temperature, prior to recharging, as heat may affect the recharging process.
- Charge the battery at ambient temperature of 10°C - 40°C (50°F - 104°F).
- Never recharge a fully charged battery, overcharging shortens the battery service life.

3.7) Storage (Ref. to Fig. 7)

- After completion of the work: **release the oil pressure** by pressing the release push button (see § 3.2) and make sure that the ram of the head connected is completely retracted.
- Disconnect and store the remote controller (10) and hose (13) in the canvas accessories bag (15).
- Replace the protective caps.
- Store the unit in a clean, dry environment.

4. WARNING



The pump is unsuitable for continuous use and should be allowed to cool down following uninterrupted, successive operations; for instance, having exhausted a fully charged battery in one session, delay battery replacement for a few minutes.

Observe recommended rest periods also when using an external power supply.

- Avoid dirty surfaces: dust and sand are a danger to any hydraulic equipment.
- Before disconnecting the hydraulic head from the hose, make sure that the ram is completely retracted.
- Do not bend or kink the hydraulic hose.

4.1) Thorough cleaning

The pump is robust, completely sealed and requires very little daily maintenance.

Compliance with the following points should help to maintain the optimum performance of the unit:

- After every use, the pump and accessories must be wiped with a clean cloth, taking care to remove any residue, especially around the sockets (07 and 08), the quick coupler (09) and inside the protective caps.

4.2) Flexible hose

The flexible hose is designed for high-pressure operation and should not be tightly bent, knotted, kinked or squashed.

Take care when storing the pump in the plastic case, the hose should be coiled in wide loops.



High pressure flexible hoses are subject to a natural ageing process which can result in a reduction in performance potentially affecting safety of the operator. As a result their life span is limited.

*In order to ensure safe use of their units, **Cembre** recommends replacing the hose within 10 years from the date printed on the fittings.*



Before using the pump always check the integrity of the flexible hose and the quick couplers making sure there are no abrasions, cuts, deformations or swellings.

5. MAINTENANCE

Periodically check, at least every 6 months, the oil level in the pump.

Top up if necessary (see 5.1)

5.1) Topping up the oil (Ref. to Fig. 7)

- Position the pump on its base on a flat surface.
- Completely discharge the oil pressure by pushing the pressure release button.
- Check the level of the oil and **top up very slowly** to completely fill the oil reservoir.
- When the operation is finished replace the cap (02).

To avoid air bubbles forming, we recommend keeping the oil reservoir always full.

Always use clean recommended oil, see § 1.

Do not use old or recycled oil.

Do not use hydraulic brake fluid.

Insulated versions of the pump contain special insulating oil which must not be polluted with any other types of oil.



Ensure that used oil is disposed of in accordance with current legislation.

5.2) Purging air bubbles from the internal hydraulic circuit (Ref. to Fig. 8)

The operations of connecting and disconnecting the flexible hose and hydraulic heads could cause air bubbles to form in the hydraulic circuit over time, adversely affecting the performance of the pump.

To purge air bubbles from the circuit proceed as follows:

- Connect the hose and the hydraulic head to the pump.
- Place the hydraulic head onto a flat surface, keeping it in a vertical position.
- Leave the pump in inclined position (see Fig. 8) at a height approximately 1,5 m (4.9 ft) higher than the head.
- Operate push button until the pressure switch intervenes.
- Completely discharge the oil pressure pushing the release button.
- Repeat at least 3-4 times to ensure all bubbles collect in the upper part of the reservoir.
- Check the oil level, topping up if necessary (see § 5.1).

6. FAULT DIAGNOSIS

SYMPTOM	POSSIBLE CAUSES	REMEDY
The pump does not start when the remote controller push button.	<i>Discharged battery.</i>	Charge the battery (see § 3.5).
	<i>Incorrect connection of the remote controller plug.</i>	Connect plug correctly and secure with the locking bezel (see § 3.1).
The pump starts but immediately stops.	<i>Incorrect connection of the high pressure hose to the pump or to the hydraulic head.</i>	Check the quickcouplers for correct connection (see § 3.1).
The pump starts but the oil is not pressurised.	<i>Insufficient oil in the reservoir.</i>	Top up the oil reservoir (see § 5.1).
No advancement, slow or pulsating advancement of the ram of the hydraulic head connected to the pump.	<i>Air in the internal hydraulic circuit of the pump.</i>	Purge air bubbles in the internal hydraulic circuit (see § 5.2).
After long use the pump will not start.	<i>The thermal switch has triggered because of motor overheating.</i>	Allow the pump to rest and wait until the motor has cooled down.
It is not possible to couple the flexible hose to the pump.	<i>Residual pressure of the oil in the hose.</i>	Connect the flexible hose to the pump keeping the release button pushed.

If after these actions, the pump still does not operate correctly, please return it to **Cembre** (see § 7).

1. CARACTERISTIQUES GENERALES

		B70M-P24 B70M-P24-KV	B70M-P24A B70M-P24A-KV	B85M-P24
Pression max. de travail	bar (psi)	700 (10,000)		850 (12,150)
Debit d'huile	litres/min (gpm)	0,6 (0.16)		0,5 (0.13)
Poids avec batterie	kg (lbs)	9,2 (20.2)		10 (22)
Niveau de protection		IP 54		
Moteur	Volt DC	24		
Température de fonctionnement	°C (°F)	-10 to +50 (+14 to +122)		
Batterie		24 Volt NiMH		
Chargeur de batterie	Volt / Hz	220 - 240 / 50 - 60	120 / 50 - 60	220 - 240 / 50 - 60
Capacité du réservoir	cm ³ (gal.)	1000 (0.26)		
Huile recommandée		AGIP ARNICA 22 ou équivalent		
Huile recommandée pour versions "KV"		TOTAL DIEKAN 1640 ou équivalent		
Dimensions: LxLxH	mm (inch.)	390x163x323 (15.3x6.4x12.7)		

Sécurité: le groupe est pourvu d'une valve de surpression et d'un pressostat. Pour vérifier le bon fonctionnement du pressostat, un manomètre spécial notre réf. **MPC1** (voir pag. 42), est disponible à la demande.

Pression sonore aérienne (Directive 2006/42/CE, annexe 1, point 1.7.4.2, lettre u)

- Le niveau de pression sonore continue équivalente pondérée A
sur le poste de travail L_{pA} est.....63,9 dB (A)
- Le niveau de pression sonore instantanée pondérée C
sur le poste de travail L_{pCPeak} est..... < 130 dB (C)
- Le niveau de puissance acoustique dégagée par la
machine L_{WA} est.....74,5 dB (A)



Les pompes hydrauliques produites par Cembre S.p.A. ont été développées pour être utilisées avec les têtes de sertissage et coupe-câble. Dans l'application pour laquelle elles sont prévues, elles n'ont pas besoin de sécurité anti-retour d'huile, et par conséquent, n'en possèdent pas. Pour cette raison, leur utilisation dans toutes les applications différentes de celles auxquelles elles sont destinées (par exemple l'alimentation de vérins hydrauliques, de systèmes de levage, ou autres applications similaires), peut exposer l'opérateur à un danger.

Cembre S.p.A. décline toute responsabilité pour d'éventuels problèmes dus à une utilisation de ses pompes hydrauliques différente de celle indiquée sur ses catalogues ou autres supports.

2. DESCRIPTION DE L'UNITE (Voir Fig. 9)

* Non fourni pour les unités en version isolée

- 01 GROUPE HYDRAULIQUE
- 02 BOUCHON DE REMPLISSAGE DE L'HUILE (CODE 6800076)
- 03 ANNEAU DE FIXATION BANDOULIERE (CODE 6040427)
- 04 POIGNEE
- 05 BOUTON MECANIQUE DE DÉCOMPRESSION (CODE 6000476)
- 06 INDICATEUR DE CHARGE DE LA BATTERIE
- 07 CONNECTEUR POUR RACCORDER LA POIGNEE DE COMMANDE
- 08 CONNECTEUR POUR RACCORDER LE CABLE D'UNE ALIMENTATION EXTERIEURE *
- 09 RACCORD RAPIDE FEMELLE PUSH-PULL (CODE 6060122)
- 09 RACCORD RAPIDE FEMELLE PUSH-PULL, seulement pour unité en version isolée (CODE 6060130)
- 10 POIGNEE DE COMMANDE* (CODE 2596112)
- 11 BATTERIE Ni-MH
- 12 CHARGEUR DE BATTERIE AUTO-VENTILÉ, 220 - 240 V / 50-60 Hz (CODE 2596100)
- 13 FLEXIBLE HAUTE PRESSION LONGUEUR 3 METRES (9.8 ft) EQUIPE DE RACCORDS MALE/FEMELLE AUX EXTREMITES*
- 14 BANDOULIERE POUR LE TRANSPORT (CODE 6000354)
- 15 SACOCHE TYPE CVB-009 POUR LE TRANSPORT DES ACCESSOIRES (CODE 2593309)
- 16 POIGNEE DE COMMANDE PNEUMATIQUE, seulement pour unité en version isolée (CODE 2596113)

FRANÇAIS

3. INSTRUCTIONS D'UTILISATION

Le groupe est fourni batterie déchargée; avant utilisation, il est donc nécessaire de le charger en utilisant le chargeur de batterie prévu à cet effet (voir § 3.5).

Pour extraire la batterie de son logement, il est conseillé de placer le groupe sur le côté (voir Fig. 2): presser vers le bas le bouton de décrochage (1), extraire la batterie (2); pour la remettre en place, il suffira de l'engager en la faisant glisser sur les glissières jusqu'à l'enclenchement.

3.1) Mise en service

- Transporter le groupe à l'aide de la poignée (04) ou de la bandoulière (14) fixée aux anneaux (03) (voir Fig. 9).
- Placer le groupe sur une surface plane. Deux positions stables de travail sont prévues:
 - *verticale*, appuyé sur le fond.
 - *horizontale*, appuyée sur le côté présentant des renforts en relief afin d'optimiser l'appui et la stabilité (voir Fig. 3).

En cas de besoin, il est possible de travailler avec le groupe dans n'importe quelle position grâce au réservoir étanche de l'huile.

- Enlever le bouchon de protection "REMOTE CONTROLLER", relier la poignée de commande au connecteur (07) (voir Fig. 4): serrer le connecteur (90) en tournant la bague dans le sens des aiguilles d'une montre jusqu'à ce qu'elle soit bloquée.
- S'assurer que le flexible est en parfait état; brancher le raccord femelle au raccord mâle de la tête hydraulique à utiliser, et le raccord mâle au raccord femelle (09) du groupe.

3.2) Fonctionnement

- Prendre la poignée de commande (10) et presser le bouton de mise en marche (VERT). De cette manière, on active le moteur du groupe qui met l'huile en pression et alimente la tête hydraulique qui lui est reliée.
- La pression de service atteinte, le groupe s'arrête automatiquement grâce au déclenchement du pressostat, et la pression est maintenue. L'arrêt automatique permet de limiter la consommation d'énergie de la batterie.
En relâchant le bouton de mise en marche avant que la pression nominale de service n'ait été atteinte, le groupe s'arrêtera et maintiendra la pression de l'huile stable à la valeur atteinte à cet instant. Pour achever le cycle de travail, il faudra appuyer à nouveau et maintenir pressé le bouton de mise en marche.
- Lorsqu'on appuie sur le bouton de décompression (ROUGE), la phase de "RETOUR HUILE" commence; le piston de la tête hydraulique connectée retourne vers la position primitive et donc l'huile retourne dans le réservoir du groupe. En relâchant le bouton de décompression à n'importe quel moment, on interrompt la phase de "RETOUR HUILE" du groupe; le piston de la tête hydraulique s'arrêtera dans la position qu'il a atteint à cet instant.

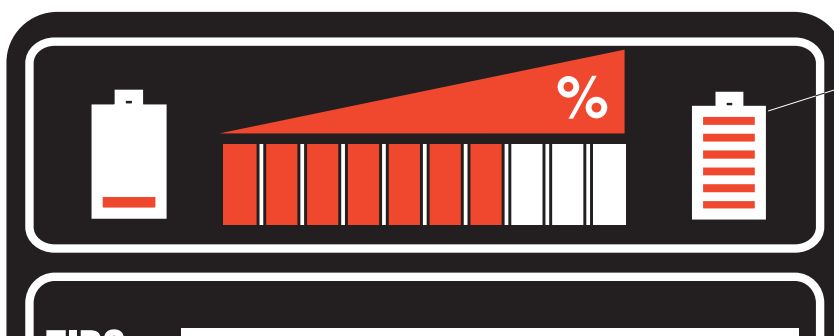
i En cas de besoin, appuyer à fond sur le bouton mécanique de décompression (05) placé sur le côté du groupe pour obtenir le retour de l'huile dans le réservoir indépendamment de l'état de charge de la batterie.

⚠ Ne pas monter en pression si la pompe n'est pas connectée au flexible et à la tête, cela pourrait endommager le raccord rapide (09) de la pompe et provoquer une fuite d'huile.



3.3) Autonomie de la batterie

Au moment de l'introduction de la batterie dans le groupe ou au moment de relâcher le bouton de mise en marche, le niveau de charge de la batterie s'affiche automatiquement pendant 5 secondes sur l'indicateur de charge (06), ce qui permet de connaître immédiatement l'autonomie qui reste:



- 06**
- 10 led allumées: autonomie maximale
 - 5 led allumées: autonomie au 50 %
 - 1 led allumée: autonomie minimale

3.4) Alimentation à partir d'une source extérieure (Voir Fig. 6)

Le groupe peut être alimenté par une source extérieure (**24 V dc - 30A mini**) raccordée au connecteur (08) (voir Fig. 6).

En utilisant les câbles **type ESC...** fournis en option, procéder de la façon suivante:

- **Vérifier que la tension d'alimentation est 24 Volt dc.**
- Connecter le câble **ESC..** à la source extérieure; dans le cas du câble avec les pinces d'alimentation respecter la polarité: rouge (+), noire (-).
Dans le cas d'une inversion de la polarité dans la connexion, l'outil ne subira pas de dommages mais il continuera à fonctionner au moyen de la batterie interne (11); pour obtenir le fonctionnement correct, il suffira d'inverser les pinces à la source.
- Enlever le capuchon "**24V DC**" et connecter l'autre côté du câble avec le connecteur (08) du groupe; serrer le connecteur (91) en tournant la virole dans le sens des aiguilles d'une montre jusqu'à son blocage.
- Une fois le travail terminé, déconnecter le câble et remettre le capuchon de protection.



Pendant l'alimentation à partir d'une source extérieure, ne jamais court-circuiter les contacts métalliques à l'intérieur de l'espace de la batterie; nous conseillons donc de laisser la batterie (11) dans son logement, elle fournira de l'énergie parallèlement à la source extérieure.

3.5) Utilisation du chargeur de batterie

Suivre attentivement les instructions indiquées sur le manuel du chargeur.

Le temps de charge de la batterie est environ 60 minutes.

3.6) Informations de caractère général sur l'utilisation des batteries

Pour obtenir la durée maximale de service de la batterie, nous vous conseillons d'observer les règles suivantes:

- Utiliser la batterie jusqu'au moment où l'affichage automatique de l'énergie restante affiche 1-2 led rouges (voir § 3.3); cela correspond à une situation de décharge presque complète sans toutefois compromettre leur durée.
- Recharger la batterie avant qu'elle ne soit complètement déchargée.
- Faire particulièrement attention aux 2-3 premières recharges quand la batterie est neuve, pour assurer le maximum de sa capacité disponible.
- Au moment de son extraction du groupe, si la batterie montre un échauffement modéré, attendre le refroidissement avant de la recharger.
- Recharger la batterie à une température ambiante comprise entre 10°C et 40°C (50°F - 104°F).
- Ne jamais recharger une batterie complètement chargée.

3.7) Rangement

- Après l'utilisation, **veiller à ce que le circuit hydraulique ne soit plus sous pression**, en pressant le bouton de décompression et s'assurer que le piston de la tête soit complètement rétracté.
- Débrancher la poignée de commande, le flexible et les ranger dans la sacoche.
- Remonter les bouchons de protection.
- Stocker le groupe dans un endroit sec.

4. RECOMMANDATIONS



La pompe n'est pas conçue pour une utilisation en continu; après avoir effectué une quantité d'opérations consécutives à partir d'une batterie complètement chargée, au moment du remplacement de la batterie, nous suggérons d'observer une période d'arrêt pour permettre le refroidissement de la pompe.

Laisser reposer l'outil même en cas d'utilisation d'un alimentateur de réseau.

- Eviter de poser le groupe sur des sols à risques: poussière et sable sont des dangers pour tout système hydraulique.
- Avant de débrancher la tête hydraulique du flexible, s'assurer que le piston de la tête soit complètement rétracté.
- Eviter que le flexible pour haute pression soit plié étroitement ou pincé, ce qui pourrait compromettre l'intégrité.
- Stocker le groupe dans un endroit sec pendant les périodes d'inactivité.

4.1) Nettoyage élémentaire

Ce groupe est robuste, complètement scellé et ne nécessite aucune attention ou entretien particulier. Les recommandations qui suivent sont néanmoins souhaitables pour lui assurer une longévité optimum:

- Chaque jour après utilisation, le groupe et ses accessoires doivent être nettoyés à l'aide d'un chiffon propre, particulièrement les connecteurs (07 et 08) le raccord rapide (09) et les bouchons de protection.

4.2) Flexible

Ne jamais plier brusquement le flexible, le tordre ou le piétiner.

Le ranger dans le coffret en prenant soin de garder un rayon de courbure le plus large possible.



Les flexibles hydrauliques à haute pression sont soumis à un vieillissement naturel qui peut altérer leurs performances; en conséquence, leur durée de vie est limitée.

Afin de garantir la sécurité des opérateurs, Cembre recommande de remplacer le flexible dans les 10 ans suivant la date imprimée sur les raccords du flexible.



Avant d'utiliser la pompe, s'assurer du parfait état du flexible et des raccords rapides, assurez-vous qu'il n'y a pas d'abrasions, de coupures, de déformations ou de gonflements.

5. ENTRETIENS

Vérifier régulièrement le niveau d'huile du groupe, (environ tous les 6 mois), et le compléter si nécessaire (voir § 5.1).

5.1) Complément d'huile (Voir Fig. 7)

- Placer le groupe sur une surface plane.
- Décompresser complètement le circuit hydraulique en maintenant pressé le bouton de décompression.
- Devisser et enlever le bouchon (02).
- Vérifier le niveau d'huile; le cas échéant, **rajouter très lentement** de l'huile jusqu'au remplissage complet du réservoir.
- Après avoir terminée l'opération, visser à fond le bouchon (02).

Pour éviter la formation de poches d'air, il est conseillé de maintenir le réservoir d'huile toujours plein.

Utiliser exclusivement un type d'huile mentionné au § 1.

Ne jamais utiliser d'huile usagée ou recyclée.

Il est indispensable que l'huile soit neuve.

Les pompes en version isolée contiennent une huile à haute capacité isolante.

Ne pas la contaminer avec d'autres types d'huile!



En cas de changement d'huile, l'huile usagée doit être éliminée conformément aux normes en vigueur.

5.2) Expulsion des bulles d'air du circuit hydraulique du groupe (Voir Fig. 8)

Les opérations de connexion et déconnexion du flexible et des têtes hydrauliques pourraient, avec le temps, causer la formation de bulles d'air dans le circuit hydraulique de la pompe avec pour conséquence un dysfonctionnement de l'appareil.

Pour éjecter les bulles d'air, procéder de la façon suivante:

- Connecter le flexible et la tête hydraulique à la pompe.
- Appuyer la tête hydraulique sur un plan, en la maintenant en position verticale.
- Maintenir la pompe en position inclinée (voir Fig. 8) à une hauteur d'à peu près 1,5 m (4.9 ft) supérieure de celle de la tête.
- Actionner la pompe en pressant le bouton de mise en marche jusqu'à l'intervention du pressostat.
- Décharger complètement la pression de l'huile en pressant le bouton de décompression.
- Recommencer la même opération 3 ou 4 fois pour s'assurer que les bulles d'air s'accumulent bien dans la partie supérieure du réservoir.
- Contrôler le niveau d'huile, et compléter le réservoir si besoin est (voir § 5.1).

6. FONCTIONNEMENT ANORMAL DU GROUPE ET SOLUTIONS POSSIBLES

PROBLEME	CAUSES POSSIBLES	SOLUTIONS
Le groupe ne fonctionne pas en actionnant le bouton de mise en marche de la poignée de commande.	<i>Batterie déchargée.</i>	Charger la batterie (voir § 3.5).
	<i>Mauvais raccordement du câble de la poignée de commande.</i>	Vérifier le branchement du connecteur de la poignée de commande (voir § 3.1).
La pompe se met en fonctionnement mais s'arrête immédiatement.	<i>Le flexible est mal raccordé au niveau du groupe ou de la tête</i>	Vérifier les raccordements du flexible. Si cette opération n'est pas possible, décompresser le circuit hydraulique et réessayer (voir § 3.1).
Le groupe fonctionne mais le circuit hydraulique ne monte pas en pression.	<i>Il manque de l'huile dans le réservoir du groupe.</i>	Compléter le niveau de l'huile (voir § 5.1).
Le piston de la tête hydraulique ne monte pas, progresse très lentement, monte et redescend pulsativement.	<i>Présence des bulles d'air dans le circuit hydraulique du groupe.</i>	Expulser les bulles d'air du le circuit hydraulique du groupe (voir § 5.2).
Après un emploi intensif, le groupe ne démarre pas.	<i>Déclenchement de la protection thermique à cause d'une surchauffe du moteur-pompe.</i>	Laisser reposer le groupe et attendre que la température du moteur s'abaisse.
Il n'est pas possible de connecter le flexible à la pompe.	<i>Pression résiduelle de l'huile à l'intérieur du flexible.</i>	Connecter le flexible à la pompe en tenant pressé le bouton de décompression.

Si le groupe ne fonctionne toujours pas, le retourner à **Cembre** (voir § 7).

1. ALLGEMEINE EIGENSCHAFTEN

		B70M-P24 B70M-P24-KV	B70M-P24A B70M-P24A-KV	B85M-P24
Max. Arbeitsdruck	bar (psi)	700 (10,000)		850 (12,150)
Fördermenge	litres/min (gpm)	0,6 (0.16)		0,5 (0.13)
Gewicht inkl. Akku	kg (lbs)	9,2 (20.2)		10 (22)
IP Klasse		IP 54		
Gleichstrom-Motor	Volt DC	24		
Zulässige Umgebungstemperatur	°C (°F)	-10 to +50 (+14 to +122)		
Akku		24 Volt NiMH		
Ladegerät	Volt / Hz	220 - 240 / 50 - 60	120 / 50 - 60	220 - 240 / 50 - 60
Tankvolumen	cm ³ (gal.)	1000 (0.26)		
Empfohlenes Öl		AGIP ARNICA 22 oder ähnliches		
Empfohlenes Öl für "KV" Ausführung		TOTAL DIEKAN 1640 oder ähnliches		
Abmessungen: LxBxH	mm (inch.)	390x163x323 (15.3x6.4x12.7)		

Sicherheit: Die Pumpe ist mit einem Überdruckventil und Druckschalter ausgestattet.

Die Eichung des Druckschalters kann mit dem Messgerät **MPC1** (siehe Seite 42), das auf Anfrage lieferbar ist, gemessen werden.

Lärmschutzbestimmung (Richtlinie 2006/42/EG, Anhang 1, Nummer 1.7.4.2, Buchstabe u)

- Der konstante Lärmpegel entsprechend Gewichtung A
am Arbeitsplatz L_{pA} entspricht 63,9 dB (A)
- Der höchste Lärmpegel entsprechend Gewichtung C
am Arbeitsplatz L_{pCPeak} entspricht < 130 dB (C)
- Die Lärmbelastung des Geräts L_{WA}
entspricht..... 74,5 dB (A)



Die von Cembre S.p.A. hergestellten hydraulischen Pumpen sind für den Einsatz mit hydraulischen Schneid- und Pressköpfen entwickelt worden. Für diese Anwendungen ist ein absolut sicheres Druckhaltesystem nicht notwendig. Aus diesem Grund kann deren Einsatz für andere Anwendungen, als die für die sie bestimmt sind (z.B. die Versorgung von Hydraulikwinden, Hebeanlagen oder ähnliches), den Benutzer in Gefahr bringen.

Cembre S.p.A. enthält sich jeglicher Haftung für den Einsatz ihrer Hydraulikpumpen für andere Anwendungen, die nicht gemäß ihren eigenen Katalogen oder anderem Informationsmaterial beschrieben sind.

2. EINHEITSBESCHREIBUNG (Siehe Bild 9)

* Nicht bei isolierter Ausführung

- 01 HYDRAULIKPUMPE
- 02 ÖLVERSCHLUSSKAPPE (CODE 6800076)
- 03 TRAGEGRIEMENRING (CODE 6040427)
- 04 TRANSPORTGRIFF
- 05 MECHANISCHER DRUCKABLASSKNOPF (CODE 6000476)
- 06 AKKUANZEIGE
- 07 ANSCHLUSS FÜR FERNBEDIENUNG
- 08 ANSCHLUSS FÜR EXTERNE SPANNUNGSQUELLE*
- 09 SCHNELLKUPPLUNG (CODE 6060122)
- 09 SCHNELLKUPPLUNG, Nur für Pumpen in isolierter Ausführung (CODE 6060130)
- 10 HANDFERNBEDIENUNG* (CODE 2596112)
- 11 AKKU Ni-MH
- 12 EIGENBELÜFTETES BATTERIELADEGERÄT, 220 - 240 V / 50-60 Hz (CODE 2596100)
- 13 FLEXIBER HOCHDRUCKSCHLAUCH LÄNGE 3 METER (9.8 ft) VORGESHEN MIT ÖLVERLUSTFREIEN SCHNELLKUPPLUNGEN*
- 14 TRAGERIEMEN (CODE 6000354)
- 15 SEGELTUCHTASCHE TYP CVB-009 FÜR DAS ZUBEHÖR (CODE 2593309)
- 16 PNEUMATISCHE HANDFERNBEDIENUNG, Nur für Pumpen in isolierter Ausführung (CODE 2596113)

3. BEDIENUNGSHINWEISE

Die Pumpe wird mit vollständig entladenelem Akku geliefert. Es wird empfohlen, diesen vor dem Gebrauch mit dem Ladegerät aufzuladen (siehe § 3.5).

Um den Akku aus der Pumpe zu entfernen, sollte man die Pumpe auf die Seite legen (siehe Bild 2). Den Arretierungsknopf am Akku (1) nach unten drücken und gleichzeitig den Akku (2) herauschieben. Beim Einsetzen des Akkus ist er auf die Führungen zu schieben bis die Arretierung erfolgt.

3.1) Vorbereitung

- Die Pumpe am Griff (04) oder mit dem an den Ringen (03) befestigten Trageriemen (14) transportieren (siehe Bild 9).
- Die Pumpe auf einer flachen Ebene abstellen. Es sind zwei stabile Arbeitsstellungen vorgesehen:
 - *senkrecht*, am Boden liegend.
 - *waagrecht*, auf der Seite liegend. Für eine ausreichende Stabilität sorgt die Form des Gehäuses (siehe Bild 3).


Bei Bedarf kann die Pumpe auch in jeder anderen Stellung benutzt werden, da ein geschlossenes Ölsystem verwendet wurde.


- Die Staubschutzkappe "**REMOTE CONTROLLER**" entfernen und die Fernbedienung auf die Steckerkupplung (07) montieren (siehe Bild 4). Den Stecker (90) durch das Anziehen der Überwurfmutter im Uhrzeigersinn bis zum Anschlag arretieren.
- Den flexiblen Hochdruckschlauch (13) auf eventuelle Beschädigungen kontrollieren und anschließend mit der Pumpe und dem Werkzeug verbinden.

Im Bedarfsfall kann auf alle Fälle dank des dichten Öltanks mit der Pumpe (siehe Bild 5) in jeder beliebigen Stellung gearbeitet werden.

3.2) Betrieb

- Die Fernbedienung (10) in die Hand nehmen und den Startknopf (GRÜN) drücken: der Motor wird eingeschaltet und beginnt das Öl zu fördern. Das Öl strömt in das angeschlossene Werkzeug.
- Bei Erreichen des max. Betriebsdruckes **schaltet der Druckschalter den Motor ab**, der Druck wird gehalten und der Energieverbrauch eingeschränkt.
- Wird der Startknopf vor dem Erreichen des max. Betriebsdruckes losgelassen, bleibt das Werkzeug in der Stellung stehen. Um den Betriebsdruck weiter zu erhöhen ist, muss der Startknopf erneut betätigt werden.
- Wird der Druckablassknopf (ROT) gedrückt, fließt das Öl in den Öltank zurück und der Kolben des Werkzeuges fährt zurück. Sobald der Druckablassknopf losgelassen wird, bleibt der Kolben des Werkzeuges in der Stellung stehen.

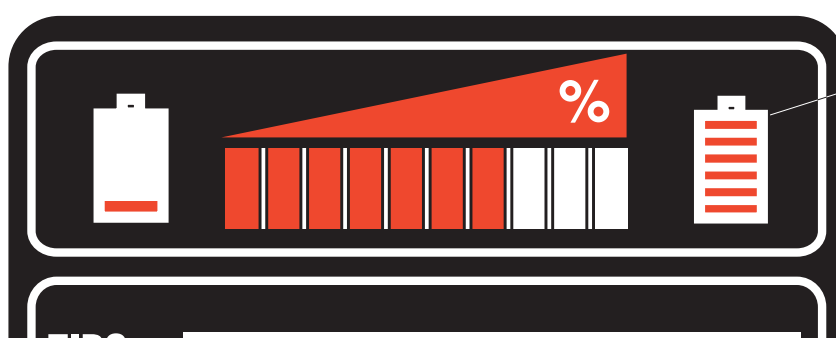
 *Bei Bedarf kann der mechanische Druckablassknopf (05) auf der Vorderseite der Pumpe betätigt werden und das Öl fließt in den Tank zurück. Dieser Vorgang ist unabhängig vom Ladezustand des Akkus.*

 *Die Pumpe Nie ohne angeschlossenem Schlauch oder ohne Kopf auf Hochdruck bringen, indem das den Schnellanschluss (09) der Pumpe ernst beschädigen könnte und Öl Verlust ergeben.*



3.3) Akkuladezustand

Beim Einsetzen des Akkus in die Pumpe und beim Loslassen des Startknopfes wird das Ladeniveau des Akkus automatisch für 5 Sekunden auf der Ladeanzeige (06) angezeigt, wodurch eine sofortige Kontrolle der restlichen Batteriekapazität möglich ist:



- 10 LED eingeschaltet: Maximale Ladung
- 5 LED eingeschaltet: Ladung zu 50 %
- 01 LED eingeschaltet: Minimale Ladung

3.4) Speisung mit externer Energiequelle (Siehe Bild 6)

Die Pumpe kann auch mit eine externe Energiequelle (**24V dc - min. 30A**) oder einem externen Akku über den Anschluss (08) (siehe Bild 6) betrieben werden.

Verwenden Sie die als Zubehör lieferbare Verbindungskabel **Typen ESC ...** und gehen Sie folgendermaßen vor:

- **Überprüfen Sie, daß die Speisespannung 24 Volt (Gleichstrom) ist.**
- Das Verbindungskabel an die externe Energiequelle, bei Federzangen die Polarität Berücksichtigen: rot (+), schwarz (-).
Bei Vertauschung der Polarität nimmt das Werkzeug keinen Schaden und arbeitet über den eingebauten Akku (11). Um über die externe Energiequelle zu arbeiten, müssen die Federzangen nur korrekt angeschlossen werden.
- Entfernen Sie den Schutzkappe "24V DC" und schließen Sie die andere Seite des Verbindungskabels an den Anschluss (08) der Pumpe und klemmen Sie den Anschluss (91) fest, indem sie die Hutmutter im Uhrzeigersinn bis zum Anschlag drehen.
- Entfernen Sie nach Abschluß der Arbeit das Verbindungskabel und setzen Sie die Schutzkappe auf.



Die kontakte des akku im gehäuse dürfen beim arbeiten mit einer externen energie-quelle nicht kurzgeschlossen werden. Wir empfehlen daher den akku (11) im gehäuse zu lassen, da sie auch noch parallel zur externen stromquelle energie liefert.

3.5) Verwendung des Ladegerätes

Die von MAKITA in der Bedienungsanleitung gegebenen Hinweise sind zu befolgen.

Die Ladezeit beträgt ca. 60 Minuten

3.6) Allgemeine Informationen über den Gebrauch der Akkus

Zum die Akkus auf korrekte Weise zu verwenden, empfehlen wir folgende Regeln zu beachten:

- Den Akku so lange verwenden, bis bei der automatischen Energieanzeige 1 bis 2 rote Led ersichtlich sind (siehe Punkt 3.3). Dies entspricht einem Zustand von fast vollständiger Entladung des Akkus, ohne das ihre Leistung dadurch gefährdet wird.
- Den Akku nachladen, bevor er vollkommen entladen ist.
- Bitte beachten, das bei neuen Akkus nach den ersten 2-3 Ladezyklen die maximale Kapazität zur Verfügung steht.
- Sollte der Akku leicht warm sein, empfiehlt es sich, mit der Wiederaufladung zu warten.
- Den Akku nur bei einer Raumtemperatur von 10°C bis 40°C (50°F - 104°F) laden.
- Erneutes Laden eines voll geladenen Akkus unterlassen. Überladen verkürzt die Lebensdauer des Akkus.

3.7) Ruhestellung (Siehe Bild 7)

- Nach dem Beendigen der Arbeit das angeschlossene Werkzeug durch Betätigen des Druckablassknopfes **vollständig entlasten** (siehe Punkt 3.2). Es ist darauf zu achten, dass sich der Kolben des Werkzeuges vollständig in der Ausgangsstellung sich befindet.
- Die Fernbedienung (10) lösen, den Hochdruckschlauch (13) abkuppeln und in der mitgelieferten Segeltuchtasche (15) verstauen.
- Die Schutzkappen befestigen.
- Die Pumpe in trockenen Orten aufbewahren.

4. HINWEISE



Die Akkuwerkzeuge sind nicht für einen Dauereinsatz geeignet. Wenn ein voll geladener Akku durch hintereinander ausgeführte Arbeiten getauscht werden muss, empfehlen wir vor dem Akkuwechsel das Werkzeug eine angemessene Zeit abkühlen zu lassen.

Das Schaltnetzteil ist nicht für den Dauerbetrieb geeignet!

- Schmutzige Böden vermeiden: Staub und Sand entsprechen einer Gefahr für alle hydraulischen Vorrichtungen.
- Bevor der Kopf gelöst wird, sich vergeissern das der Kolben des selben komplett zurückgefahren ist.
- Es muß vermieden werden, den Hochdruckschlauch in engen Kurven zu biegen bzw. Knoten zu machen, die ihn beschädigen könnten.
- Die Pumpe während der Ruhezeiten an trockenen Orten aufbewahren.

4.1) Pflege

Die Pumpe ist robust und benötigt keine spezielle Pflege oder Instandhaltung.

Zur Erhaltung der Garantieansprüche beachten Sie folgende Hinweise:

- Dieses hydraulische Pumpe sollte vor starker Verschmutzung geschützt werden, da diese für ein hydraulisches System gefährlich ist. Jeden Tag nach der Arbeit sollte die Pumpe mit einem Tuch von Schmutz und Staub gereinigt werden; besonders auf den Anschlüsse (07 und 08) auf der Schnellkupplung (09) und Schutzkappen.

4.2) Hydraulikschlauch

Der Hydraulikschlauch ist für einen hohen Arbeitsdruck ausgelegt und sollte während des Arbeitsvorganges nicht geknickt oder gekrümmt werden.

Bei Lagerung der Pumpe muss der Schlauch in der Kunststoffkoffer um die Pumpe ohne Krümmungen gelegt werden.



Grundsätzlich unterliegen alle Schlauchleitungen auch bei sachgemäßer Lagerung und zulässiger Beanspruchung während des Einsatzes einer natürlichen Alterung. Durch die Alterung wird die Leistungsfähigkeit der Schlauchleitung verringert und somit ist die Lebensdauer begrenzt.

*Um dem Bediener den sicheren Einsatz seiner Geräte zu gewährleisten, empfiehlt **Cembre** den Schlauch innerhalb von 10 Jahren nach der Herstellung der Schlauchleitung zu wechseln.*

Das Datum der Fertigstellung der Schlauchleitung befindet sich auf den Anschlusssteilen.



Vor dem Einsatz der Pumpe immer überprüfen, ob der Hochdruckschlauch und die Schnellanschlüsse unversehrt sind und keine Abschürfungen, Einschnitte, Verformungen oder Beulen aufweisen.

5. WARTUNG

Der Ölstand im Pumpenkörper muß regelmäßig (mindestens alle 6 Monate) geprüft werden. Das Nachfüllen, wenn erforderlich, vornehmen (siehe § 5.1).

5.1) Öl nachfüllen (Siehe Bild 7)

- Die Pumpe auf eine ebene Unterlage stellen.
- Den Öldruck durch Betätigen des Druckablassknopfes vollständig ablassen.
- Ölverschlusskappe (02) entfernen.
- Ölstand kontrollieren und wenn notwendig **sehr langsam Öl nachfüllen**.
- Tank wieder mit der Ölverschlusskappe (02) verschliessen.

Um Luft im System zu vermeiden, sollte der Tank stets vollständig gefüllt sein.

Zum Nachfüllen immer das unter Pkt. 1 angegebene Öl benutzen.
 Niemals mit gebrauchtem oder altem Öl nachfüllen. Das Öl muß sauber sein.
 Isolierte Pumpen enthalten Öl mit besonderen Isoliereigenschaften, die den höchsten Anforderungen entsprechen.
 Deshalb darf dieses Öl nicht mit anderen Ölen gemischt werden.



Bei einem Ölwechsel sind unbedingt die vorgeschriebenen Normen zur Entsorgung von Altöl zu beachten.

5.2 Entfernen von Luftblasen (Siehe Bild 8)

Durch das ständige Anschliessen von Press- und Schneidköpfen kann mit der Zeit in den Ölkreislauf der Pumpe Luft gelangen und damit die Arbeitsweise beeinflussen.

Zum Entlüften sind folgende Schritte notwendig:

- Einen Hydraulikkopf mit Schlauch an die Pumpe anschliessen.
- Den Hydraulikkopf auf eine ebene Unterlage legen.
- Die Pumpe ca. 1,5 m (4.9 ft) über dem Hydraulikkopf in einer schrägen Position halten (siehe Bild 8).
- Die Pumpe durch Betätigen des Startknopfes bis zur Druckabschaltung in Gang setzen.
- Den Druckablassknopf betätigen.
- Diesen Vorgang 3-4 mal wiederholen, so das sich die Luftblasen im oberen Teil des Öltanks sammeln.
- Ölstand kontrollieren und bei Bedarf nachfüllen (siehe § 5.1).

6. HINWEISE ZUR FEHLERBEHEBUNG

FEHLER	MÖGLICHE URSACHEN	SOLUTIONS
Beim Drücken des Startknopfes läuft die Pumpe nicht an.	Akku entladen.	Den Akku laden (siehe § 3.5).
	Unkorrekte Verbindung des Kabels der Fernbedienung.	Sich vergewissern, daß der Stecker auf korrekte Weise eingesetzt und blockiert ist (siehe § 3.1).
Die Pumpe läuft an, hält aber sofort wieder an.	Unkorrekte Verbindung des Hochdruckschlauchs mit der Pumpe bzw. mit dem Kopf.	Die Verbindung überprüfen, indem die Schnellanschlüsse tief eingesetzt werden, um sie in der vorgesehenen Position zu blockieren (siehe § 3.1).
Die Pumpe läuft an, aber das Öl erreicht den vorgesehenen Druck nicht.	Kein Öl im Behälter.	Öl nachfüllen (siehe § 5.1).
Der Kolben des an die Pumpe angeschlossenen Kopfs fährt nicht vor oder fährt nur stotternd oder sehr langsam vor.	Vorhandensein von Luftblasen im internen Pumpenkreis.	Entlüften (siehe § 5.2).
Nach einem intensiven Gebrauch startet die Pumpe nicht.	Eingriff der thermischen Schutzvorrichtung wegen übermäßiger Erwärmung des Pumpenmotors.	Die Pumpe ruhen lassen und das Sinken der Motortemperatur abwarten.
Der Hochdruckschlauch lässt sich nicht an die Pumpe kuppeln.	Im Hochdruckschlauch ist noch Druck aufgebaut.	Den Schlauch an die Pumpe kuppeln und gleichzeitig den Druckablassknopf betätigen.

Sollte die Pumpe nach diesen Maßnahmen immer noch nicht auf korrekte Weise funktionieren, muß sie **Cembre** (siehe § 7) zurückgegeben werden.

1. CARACTERÍSTICAS GENERALES

		B70M-P24 B70M-P24-KV	B70M-P24A B70M-P24A-KV	B85M-P24
Presión máx.de trabajo	bar (psi)	700 (10,000)		850 (12,150)
Caudal de aceite	litres/min (gpm)	0,6 (0.16)		0,5 (0.13)
Peso completa de batería	kg (lbs)	9,2 (20.2)		10 (22)
Grado de protección		IP 54		
Motor	Volt DC	24		
Temperatura de funcionamiento	°C (°F)	-10 to +50 (+14 to +122)		
Batería		24 Volt NiMH		
Cargador de batería	Volt / Hz	220 - 240 / 50 - 60	120 / 50 - 60	220 - 240 / 50 - 60
Capacidad dep. de aceite	cm ³ (gal.)	1000 (0.26)		
Aceite recomendado		AGIP ARNICA 22 o equivalente		
Aceite recomendado para versión "KV"		TOTAL DIEKAN 1640 o equivalente		
Dimensiones: LxAxA	mm (inch.)	390x163x323 (15.3x6.4x12.7)		

Seguridad: la bomba está provista de una válvula de seguridad y de presóstato; la presión correcta del presóstato es verificable mediante el instrumento adecuado **MPC1** (vease pag. 42) disponible mediante pedido.

Nivel sonoro aéreo (Directiva 2006/42/CE, anexo 1, punto 1.7.4.2, letra u)

- El nivel de presión acústica continua equivalente ponderado A en el puesto de trabajo L_{pA} es de..... 63,9 dB (A)
- El nivel máximo de la presión acústica instantánea ponderada C en el puesto de trabajo L_{pCPeak} es..... < 130 dB (C)
- El nivel de potencia acústica emitida por la máquina L_{WA} es igual a..... 74,5 dB (A)

ESPAÑOL



Las bombas hidráulicas fabricadas por Cembre S.p.A. han sido desarrolladas para ser usadas con cabezas de compresión y de corte. En función de su uso específico no necesitan, y por eso no están equipadas con un sistema de seguridad antirretorno de aceite. Por esta razón su empleo en cualquier aplicación diferente de aquellas a la que están destinadas, por ejemplo alimentación de cilindros hidráulicos, de sistemas de levantamiento o similares, puede exponer al operario a situaciones peligrosas.

Cembre S.p.A. no acepta ninguna responsabilidad derivada del empleo de sus bombas oleodinámicas en aplicaciones que no sean aquellas indicadas en sus catálogos u otro material informativo.

2. DESCRIPCIÓN DE LA UNIDAD (Ref. a Fig. 9)

* Non previsto para unidad en versión aislada

- 01 BOMBA HIDRAULICA
- 02 TAPON RELLENADO DE ACEITE (COD. 6800076)
- 03 ANILLO UNION CORREA (COD. 6040427)
- 04 EMPUÑADURA
- 05 BOTON MECANICO PARA DESCARGAR EL ACEITE (COD. 6000476)
- 06 INDICADOR DE CARGA DE LA BATERIA
- 07 CONECTOR PARA LA CONEXION DEL MANDO
- 08 CONECTOR PARA LA CONEXION DEL CABLE PARA LA ALIMENTACION DESDE FUENTE EXTERNA*
- 09 ACOPLAMIENTO AUTOMATICO HEMBRA (COD. 6060122)
- 09 ACOPLAMIENTO AUTOMATICO HEMBRA, solamente para unidad en versión aislada (COD. 6060130)
- 10 MANDO MANUAL* (COD. 2596112)
- 11 BATERIA Ni-MH
- 12 CARGADOR DE BATERIA AUTO-VENTILADO, 220 - 240 V / 50-60 Hz (COD. 2596100)
- 13 MANGUERA FLEXIBLE DE 3 METROS (9.8 ft) DE LONGITUD CON ACOPLAMIENTOS AUTOMATICOS MACHO-HEMBRA*
- 14 CORREA DE TRANSPORTE (COD. 6000354)
- 15 BOLSA DE TELA TIPO CVB-009 PARA EL ALMACENAMIENTO DE LOS ACCESORIOS (COD. 2593309)
- 16 MANDO MANUAL PNEUMATICO, solamente para unidad en versión aislada (COD. 2596113)

3. INSTRUCCIONES DE USO

La bomba se suministra con la batería completamente descargada; por tanto antes de usarla se debe proceder a su carga utilizando el cargador de batería adjunto (véase § 3.5).


Para extraer la batería de su alojamiento, es aconsejable colocar la bomba sobre el costado (véase Fig. 2): presionar hacia abajo el botón de desenganche (1), extraer la batería (2); para volver a colocarla, bastará con introducirla haciéndola deslizarse a fondo sobre las guías.


3.1) Preparación

- Transportar la bomba por medio de la empuñadura (04) o de la correa para colgar (14) fijada a los aros (03) (véase Fig. 9).
- Colocar la bomba sobre una superficie plana. Están previstas dos posiciones estables de trabajo:
 - *vertical*, apoyada sobre el fondo.
 - *horizontal*, apoyada sobre el costado provisto de refuerzos en relieve al fin de optimizar el apoyo y la estabilidad (véase Fig. 3).
- En caso de necesidad, es posible trabajar con la bomba en cualquier posición gracias al depósito estanco de aceite.
- Quitar el tapón de protección "**REMOTE CONTROLLER**", conectar el mando al conector (07) (véase Fig. 4): apretar el conector (90) girando la abrazadera en el sentido horario hasta que quede bloqueada.
- Controlar que la manguera flexible para alta presión (13) no presente puntos desgastados; conectar el acoplamiento rápido hembra a la cabeza hidráulica y el acoplamiento macho a la correspondiente hembra (09) sobre la bomba (ver Fig. 5).

3.2) Funcionamiento

- Asir el mando (10) y presionar el botón de arranque (VERDE).
De esta manera, se activa el motor de la bomba que pone el aceite bajo presión y alimenta la cabeza hidráulica conectada al mismo.
- Una vez alcanzada la presión de funcionamiento, la bomba se detiene automáticamente al activarse el presóstato y la presión se mantiene. La parada automática permite limitar el consumo de energía de la batería.
Si se suelta el botón antes de que haya sido alcanzada la presión nominal de funcionamiento, la bomba se detiene y mantendrá estable la presión del aceite al valor alcanzado en ese momento. Para llevar a cabo el ciclo de trabajo, habrá que presionar nuevamente el botón de arranque y mantenerlo presionado.
- Cuando se presiona el botón de descarga (ROJO), inicia la fase de "RETORNO ACEITE"; el pistón de la cabeza hidráulica conectada vuelve a la posición de origen y por lo tanto el aceite vuelve al depósito de la bomba. Al soltar el botón de descarga en cualquier momento, se interrumpe la fase de "RETORNO ACEITE" de la bomba; el pistón de la cabeza hidráulica se detendrá en la posición que tenga en ese momento.

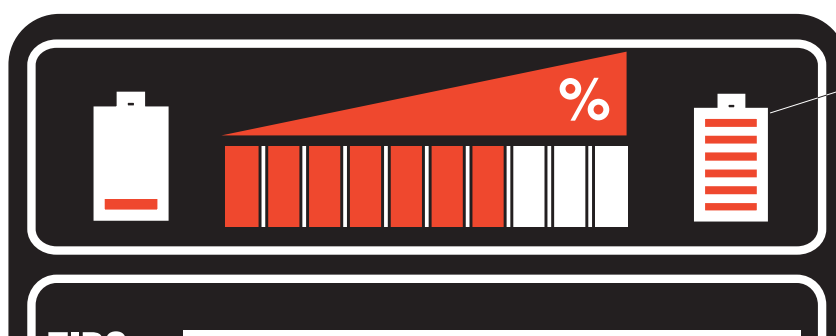
 *En caso de necesidad, apretar a fondo el botón mecánico de descarga (05) situado en el costado de la bomba al fin de obtener el retorno del aceite en el depósito independientemente del estado de carga de la batería.*

 *No aumentar la presión, si la bomba no está conectada a la cabeza por medio de la manguera flexible, ya que de lo contrario, se podría dañar el acoplamiento (09), lo que originaría una filtración del aceite.*



3.3) Autonomía de la batería

Con la introducción de la batería en la bomba y al soltar el botón de arranque el nivel de carga de la batería es visualizado automáticamente durante 5 segundos sobre el indicador de carga (06), esto permite conocer inmediatamente la autonomía restante:



06

- 10 led encendidos: autonomía máxima
- 5 led encendidos: autonomía al 50 %
- 1 led encendido: autonomía mínima

3.4) Alimentación desde fuente externa (Ref. Fig. 6)

La herramienta puede ser activada también con un alimentador (24 V dc - min. 30A) o con una batería externa por medio del conector (08) (ver Fig. 6).

Utilizando los cables de conexión **tipo ESC...** suministrados como accesorios opcionales, proceder de la manera siguiente:

- **Verificar que la tensión de alimentación es de 24 Volt dc.**
- Conectar el cable ESC... a la fuente externa, en el caso de cable con las pinzas de resorte respetar la polaridad: rojo (+), negro (-).
En el caso de una inversión de polaridad en la conexión, la herramienta no sufrirá daños sino que continuará funcionando por medio de la batería (11) que se encuentra a bordo de la herramienta, para obtener el correcto funcionamiento bastará con invertir las pinzas de resorte.
- Quitar el tapón "24V DC" y conectar el otro lado del cable de conexión al conector (08) de la bomba; apretar el conector (92) girando su virola en sentido horario hasta su bloqueo.
- Terminado el trabajo desconectar el cable de conexión y volver a poner el tapón de protección.



Durante la alimentación con fuente externa, no cortocircuitar nunca los contactos metálicos en el interior del espacio de la batería, aconsejamos para esto dejar la batería (11) en su alojamiento, ésta suministrará energía en paralelo a la fuente externa.

3.5) Utilización del cargador de batería

Seguir atentamente las instrucciones detalladas del manual correspondiente.

El tiempo de carga es aproximadamente de 60 minutos.

3.6) Informaciones de carácter general sobre la utilización de las baterías

Para un uso correcto de las baterías, les aconsejamos atenerse a las siguientes reglas:

- Utilizar la batería hasta que la visualización automática de la energía restante muestre 1-2 led rojos (ver § 3.3); esto corresponde a una situación de descarga casi completa de la batería, sin que por otra parte la duración de su vida quede comprometida.
- Cargue la batería antes de que se descargue completamente.
- Estar particularmente atento a las 2-3 primeras recargas cuando la batería está nueva, para asegurarse el máximo de la capacidad disponible.
- En el momento de la extracción de la bomba, en caso de que la batería manifestase un cierto calentamiento, esperar a que se enfríe antes de la recarga.
- Cargue la batería a una temperatura ambiente de 10°C - 40°C (50°F - 104°F).
- Nunca cargar una batería que está completamente cargada, al exceso de carga acorta la vida de servicio de la batería.

3.7) Puesta en reposo (Ref. Fig. 7)

- Terminado el trabajo **soltar siempre y completamente la presión del aceite** apretando el botón de descarga (ver § 3.2).
- Desconectar el mando (10), la manguera (13) y volverla a poner en el alojamiento correspondiente en la bolsa de tela.
- Volver a poner los tapones de protección.
- Guardar la bomba en un lugar seco.

4. ADVERTENCIAS



La bomba no esta preparada para un empleo continuo; una vez ejecutado el numero de operaciones máximo permitido por una batería, a la hora de cambiarla, aconsejamos un oportuno período de pausa para permitir el enfriamiento de la bomba misma.

También utilizando alimentadores de red observar oportunos períodos de pausa.

- Evitar terrenos sucios; el polvo y la arena representan un peligro para todo equipo hidráulico.
- Antes de desconectar la cabeza hidráulica a la manguera flexible, comprobar que el pistón de la cabeza esté completamente retraído.
- Evitar que la manguera flexible para alta presión se doble con pliegues apretados o nudos que podrían comprometer su integridad.
- Guardar la bomba en un lugar seco durante los periodos de inactividad.

4.1) Limpieza adecuada

La unidad es robusta, completamente precintada y no requiere cuidados especiales.

Para obtener un funcionamiento correcto, bastará tener algunas precauciones sencillas:

- Tenga presente que el polvo, la arena y la suciedad en general, representan un peligro para toda herramienta hidráulica.
- Tras cada día de uso, se debe limpiar la bomba y los accesorios con un trapo limpio, teniendo cuidado de eliminar la suciedad depositada, especialmente los conectores (07 y 08), el acoplamiento rápido (09) y dentro los tapones de protección.

4.2) Manguera flexible

No doblar nunca bruscamente la manguera flexible, no torcerlo ni pisarlo.

Guardarla en la caja teniendo cuidado de mantener el radio de curvatura más amplio posible.



Las mangueras hidráulicas de alta presión están sujetas a un envejecimiento natural que puede reducir su rendimiento; como resultado su vida útil es limitada.

*Con el fin de garantizar a los operarios el uso seguro de sus unidades, **Cembre** recomienda reemplazar la manguera en un plazo de 10 años a partir de la fecha impresa sobre los empalmes de la manguera.*



Antes de utilizar la bomba, comprobar siempre la integridad de la manguera flexible y de los acoplamientos rápidos, asegúrese de que no haya abrasiones, cortes, deformaciones o hinchazones.

5. MANTENIMIENTO

Controlar periódicamente, por lo menos cada 6 meses, el nivel de aceite en el cuerpo de la bomba y, si es necesario, proceder a su rellenado.

5.1) Rellenado de aceite (Ref. Fig. 7)

- Apoyar la bomba sobre un plano horizontal.
- Descargar completamente la presión del aceite apretando el botón de descarga.
- Destornillar y quitar el tapón (02).
- Verificar el nivel de aceite dentro del depósito; en caso de necesidad, **añadir aceite muy lentamente** hasta llenar completamente el deposito.
- A operación terminada, a tornillar completamente el tapón (02).

Para evitar la formación de burbujas de aire, es aconsejable mantener el depósito de aceite siempre lleno.

Use exclusivamente uno de los tipos de aceite recomendados en el Epig. 1.

No use nunca aceite usado.

Debe ser aceite limpio.

Las bombas en versión aislada contienen aceite con altas características aislantes, no contaminarlas con aceites de otro tipo.



En caso de un eventual cambio de aceite, deposite el aceite usado, respetando escrupulosamente la legislación específica respecto a la materia.

5.2) Eliminación de las burbujas de aire en el circuito hidráulico (Ref. Fig. 8)

Los procesos de conexión y desconexión de la manguera flexible a las cabezas hidráulicas, pueden causar a lo largo del tiempo que se formen burbujas de aire en el circuito hidráulico de la bomba, con la consiguiente falta de funcionamiento de la misma.

Con el objeto de eliminar las burbujas de aire, hay que proceder de la siguiente manera:

- Conectar la manguera y la cabeza hidráulica a la bomba.
- Colocar la cabeza hidráulica en una superficie plana, colocándola en posición vertical.
- Dejar la bomba inclinada (ver Fig. 8) y en una posición aproximada de 1,5 m (4.9 ft) más alta que la cabeza.
- Hacer funcionar la bomba pulsando el botón de arranque, hasta que entre en funcionamiento el presóstato.
- Descargar completamente la presión del aceite, pulsando el botón de descarga.
- Repetir al menos 3 ó 4 veces los pasos arriba mencionados, para garantizar que todas las burbujas de aire se acumulen en la parte superior del depósito.
- Controlar el nivel de aceite y si es necesario, rellenarlo (ver § 5.1).

6. FUNCIONAMIENTO ANÓMALO DE LA BOMBA Y SOLUCIONES POSIBLES

INCONVENIENTES	POSIBLES CAUSAS	REMEDIOS
Apretando el pulsador de accionamiento del mando la bomba no se pone en marcha.	<i>Batería descargada.</i>	Cargar la batería (véase § 3.5).
	<i>Conexión incorrecta del mando manual:</i>	Verificar que el conector esté correctamente insertado y bloqueado (véase § 3.1).
La bomba se pone en marcha pero se apaga enseguida.	<i>Conexión incorrecta de la manguera de alta presión a la bomba o a la cabeza.</i>	Verificar la conexión insertando a fondo los acoplamientos rápidos para obtener el bloqueo (véase § 3.1).
La bomba se pone en marcha pero el aceite no se pone bajo presión.	<i>Falta de aceite en el depósito.</i>	Proceder al rellenado del aceite (véase § 5.1).
El pistón de la cabeza conectada a la bomba no avanza, o bien se mueve muy lentamente ó vibra.	<i>Burbujas de aire en el circuito hidráulico del aceite.</i>	Eliminar las burbujas de aire (véase § 5.2).
Después de un empleo intensivo, la bomba no arranca.	<i>Activación de la protección térmica debido a un recalentamiento del motor-bomba.</i>	Dejar descansar la bomba y esperar que la temperatura del motor descienda.
No es posible conectar la manguera flexible a la bomba.	<i>Presión residual del aceite en la manguera.</i>	Conectar la manguera flexible a la bomba, pulsando el botón de descarga.

Si, aún después de estas intervenciones, la bomba no funcionara correctamente llevarla a **Cembre** (véase § 7).

1. CARATTERISTICHE GENERALI

		B70M-P24 B70M-P24-KV	B70M-P24A B70M-P24A-KV	B85M-P24
Pressione max.di esercizio	bar (psi)	700 (10,000)		850 (12,150)
Portata olio	litres/min (gpm)	0,6 (0.16)		0,5 (0.13)
Peso, completa di batteria	kg (lbs)	9,2 (20.2)		10 (22)
Grado di protezione		IP 54		
Motore	Volt DC	24		
Temperatura di utilizzo	°C (°F)	-10 to +50 (+14 to +122)		
Batteria		24 Volt NiMH		
Caricabatteria	Volt / Hz	220 - 240 / 50 - 60	120 / 50 - 60	220 - 240 / 50 - 60
Capacità del serbatoio	cm ³ (gal.)	1000 (0.26)		
Olio consigliato		AGIP ARNICA 22 o équivalente		
Olio consigliato per versioni "KV"		TOTAL DIEKAN 1640 o équivalente		
Dimensioni: LxLxA	mm (inch.)	390x163x323 (15.3x6.4x12.7)		

Sicurezza: la pompa è munita di valvola di massima pressione e di pressostato la cui corretta taratura è verificabile mediante l'apposito strumento **MPC1** (rif. a pag. 42) fornibile a richiesta.

Rumore Aereo (Direttiva 2006/42/CE, allegato 1, punto 1.7.4.2, lettera u)

- Il livello di pressione acustica continuo equivalente ponderato A
nel posto di lavoro L_{pA} è pari a 63,9 dB (A)
- Il valore massimo della pressione acustica istantanea ponderata C
nel posto di lavoro L_{pCPeak} è < 130 dB (C)
- Il livello di potenza acustica emessa dalla macchina L_{WA}
è pari a 74,5 dB (A)



Le pompe oleodinamiche prodotte da Cembre S.p.A. sono state sviluppate per essere usate con teste da compressione e da taglio. In funzione del loro impiego specifico non necessitano, e quindi non sono dotate, di un sistema sicuro di antiritorno dell'olio.

Per questa ragione il loro uso in qualsiasi applicazione diversa da quelle a cui sono destinate (ad esempio alimentazione di martinetti idraulici, di sistemi di sollevamento o similari), può esporre l'operatore a pericolo.

Cembre S.p.A. non accetta alcuna responsabilità derivante dall'uso delle sue pompe oleodinamiche in applicazioni che non siano quelle indicate sui propri cataloghi o altro materiale informativo.

2. DESCRIZIONE DELL' UNITA' (Rif. a Fig. 9)

* Non previsto per unità in versione isolata

- 01 POMPA OLEODINAMICA
- 02 TAPPO RABBOCCO OLIO (COD. 6800076)
- 03 ANELLO PER FISSAGGIO TRACOLLA (COD. 6040427)
- 04 IMPUGNATURA
- 05 PULSANTE MECCANICO DI SCARICO OLIO (COD. 6000476)
- 06 INDICATORE LIVELLO DI CARICA DELLA BATTERIA
- 07 CONNETTORE PER IL COLLEGAMENTO DELLA PULSANTIERA DI COMANDO
- 08 CONNETTORE PER IL COLLEGAMENTO ALL'ALIMENTAZIONE DA FONTE ESTERNA*
- 09 INNESTO RAPIDO FEMMINA A BLOCCAGGIO AUTOMATICO (COD. 6060122)
- 09 INNESTO RAPIDO FEMMINA A BLOCCAGGIO AUTOMATICO, solo per unità in versione isolata (COD. 6060130)
- 10 PULSANTIERA DI COMANDO* (COD. 2596112)
- 11 BATTERIA Ni-MH
- 12 CARICABATTERIA AUTOVENTILATO, 220 - 240 V / 50-60 Hz (COD. 2596100)
- 13 TUBO FLESSIBILE ALTA PRESSIONE LUNGHEZZA 3 METRI (9.8 ft) INTESTATO CON INNESTI RAPIDI MASCHIO/FEMMINA*
- 14 TRACOLLA PER IL TRASPORTO (COD. 6000354)
- 15 SACCA DI TELA TIPO CVB-009 PER IL CONTENIMENTO DEGLI ACCESSORI (COD. 2593309)
- 16 PULSANTIERA DI COMANDO PNEUMATICA (COD. 2596113), solo per unità in versione isolata

3. ISTRUZIONI PER L'USO

La pompa viene fornita con batteria completamente scarica; prima dell'uso è quindi necessario provvedere alla sua ricarica utilizzando l'apposito caricabatteria (vedi § 3.5).


Per estrarre la batteria dalla sua sede si consiglia di posizionare la pompa sul fianco (vedi Fig. 2): premere verso il basso il pulsante di sgancio (1), estrarre la batteria (2); per la sua introduzione, sarà sufficiente inserirla facendola scorrere nelle guide fino al suo bloccaggio.


3.1) Preparazione

- Trasportare la pompa tramite l'impugnatura (04) o la tracolla (14) fissata agli anelli (03) (vedi Fig. 9).
- Posizionare la pompa su una superficie piana. Sono previste due posizioni stabili di lavoro:
 - *verticale*, appoggiata sul fondo.
 - *orizzontale*, appoggiata sul fianco provvisto di tassellature in rilievo per ottimizzare appoggio e stabilità (vedi Fig. 3).
- Se fosse necessario, è comunque possibile lavorare con la pompa in qualunque posizione grazie al serbatoio stagno dell'olio.
- Togliere il tappo di protezione "**REMOTE CONTROLLER**", collegare la pulsantiera di comando (10) al connettore (07) (vedi Fig. 4): serrare il connettore (90) ruotandone la ghiera in senso orario fino al suo blocco.
- Controllare che il tubo flessibile (13) non presenti punti usurati quindi collegarne le estremità all'innesto maschio della testa oleodinamica e all'innesto femmina (09) sulla pompa (vedi Fig. 5).

3.2) Funzionamento

- Impugnare la pulsantiera (10) e premere il pulsante di avvio (VERDE): in questo modo viene attivato il motore della pompa che porta in pressione l'olio ed alimenta la testa oleodinamica ad essa collegata.
 - Raggiunta la pressione di esercizio, **la pompa si arresta automaticamente** grazie all'intervento del pressostato e la pressione viene mantenuta. L'arresto automatico permette di limitare il consumo energetico della batteria.
- Rilasciando il pulsante di avvio prima del raggiungimento della pressione nominale di esercizio, la pompa si arresterà mantenendo la pressione dell'olio stabile al valore raggiunto in quel momento. Per completare il ciclo di lavoro si dovrà premere nuovamente e mantenere premuto il pulsante di avvio.
- Premendo il pulsante di scarico (ROSSO) inizierà la fase di "RITORNO OLIO", si otterrà il ritorno del pistone della testa oleodinamica collegata e, di conseguenza, il ritorno dell'olio nel serbatoio della pompa. Rilasciando il pulsante di scarico in qualsiasi momento è possibile interrompere la fase di "RITORNO OLIO" della pompa: il pistone della testa oleodinamica si arresterà nella posizione raggiunta in quel momento.

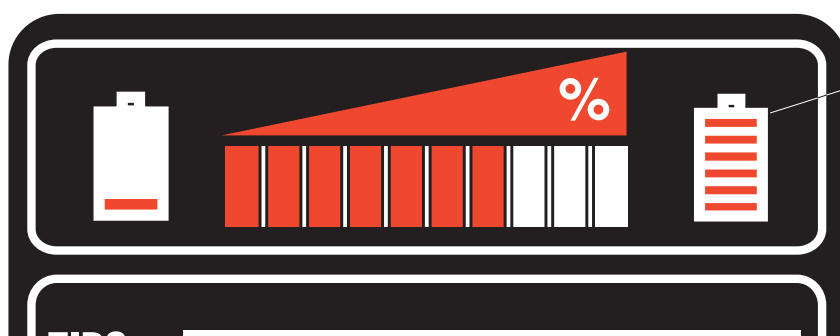
 *In caso di necessità, premendo a fondo il pulsante meccanico di scarico (05), posizionato sul fianco della pompa, è possibile ottenere il ritorno dell'olio nel serbatoio indipendentemente dallo stato di carica della batteria.*

 *Non mandare in pressione la pompa priva di tubo flessibile e testa, ciò potrebbe causare il danneggiamento dell'innesto rapido (09) della pompa con conseguente trafilamento d'olio.*



3.3) Autonomia della batteria

Con l'inserimento della batteria all'interno della pompa e al rilascio del pulsante di avvio, il livello di carica della batteria è visualizzato automaticamente per 5 secondi sull' indicatore di carica (06), ciò permette di conoscere immediatamente l'autonomia residua:



06

- 10 led accesi: massima autonomia
- 5 led accesi: autonomia al 50 %
- 1 led acceso: minima autonomia

3.4) Alimentazione da fonte esterna (Rif. a Fig. 6)

La pompa può essere attivata anche con un alimentatore (24 V dc - min. 30 A) o batteria esterna, tramite il connettore (08) (vedi Fig. 6).

Utilizzando gli appositi cavi di collegamento tipo ESC..., forniti come accessori opzionali, procedere nel modo seguente:

- **Verificare la tensione di alimentazione: 24 V dc.**
- Connettere il cavo ESC... all'alimentazione esterna; nel caso di cavo intestato con pinze a molla rispettare la polarità nel collegamento: rosso (+), nero (-).
In caso di inversione di polarità nel collegamento, la pompa non subirà danni ma continuerà a funzionare tramite la batteria (11) a bordo, per ottenere il corretto funzionamento basterà invertire le pinze a molla.
- Togliere il tappo "24V DC" e collegare l'altro capo del cavo di collegamento al connettore (08) della pompa; serrare il connettore (91) ruotandone la ghiera in senso orario fino al suo blocco.
- A lavoro ultimato scollegare il cavo di collegamento e rimettere il tappo di protezione bloccandolo a fondo.



Durante l'alimentazione con fonte esterna, mai cortocircuitare i contatti metallici all'interno del vano batteria, consigliamo per questo di lasciare la batteria (11) nel suo alloggiamento, essa fornirà energia in parallelo alla fonte esterna.

3.5) Utilizzo del caricabatterie

Seguire attentamente le istruzioni dettagliate sul relativo manuale.

Mediamente il tempo di ricarica della batteria con l'apposito caricabatteria é di 60 minuti.

3.6) Informazioni di carattere generale sull'uso delle batterie

Per un uso corretto delle batterie, consigliamo di attenersi alle seguenti regole:

- Utilizzare la batteria fino a che la visualizzazione automatica dell'energia residua mostri 1 - 2 led accesi (vedi § 3.3); ciò corrisponde ad una situazione di scarica quasi completa della batteria, senza peraltro che ne sia compromessa la durata di vita.
- Caricare la batteria prima che si scarichi completamente.
- Fare particolare attenzione alle prime 2 o 3 ricariche quando la batteria è nuova, per assicurarsi il massimo della capacità disponibile.
- Al momento dell'estrazione dalla pompa, nel caso la batteria manifestasse un moderato riscaldamento, aspettare che si raffreddi prima della ricarica.
- Caricare la batteria ad una temperatura ambiente compresa fra 10°C e 40°C (50°F - 104°F).
- Mai caricare una batteria completamente carica, la carica eccessiva ne riduce la durata di vita.

3.7) Messa a riposo (Rif. a Fig. 7)

- A lavoro ultimato **rilasciare sempre e completamente la pressione dell'olio** mantenendo premuto il pulsante di rilascio (vedi § 3.2), assicurarsi che il pistone della testa collegata sia completamente represso.
- Scollegare la pulsantiera (10), il tubo per alta pressione (13) e riporli nell'apposita sede nella custodia di tela (15).
- Rimettere i tappi di protezione.
- Custodire la pompa in luogo asciutto.

4. AVVERTENZE



La pompa non è adatta ad un utilizzo continuo; dopo aver eseguito il numero di operazioni consecutive consentite da una batteria completamente carica, in occasione del cambio batteria consigliamo un opportuno periodo di pausa per permettere il raffreddamento della pompa. Osservare opportuni periodi di pausa anche utilizzando alimentatori esterni.

- Evitare terreni sporchi: la polvere e la sabbia rappresentano un pericolo per ogni apparecchiatura oleodinamica.
- Prima di sconnettere la testa oleodinamica collegata al tubo flessibile, verificare che il pistone della stessa sia completamente represso.
- Evitare che il tubo flessibile per alta pressione venga piegato con curvature strette o nodi che potrebbero comprometterne l'integrità.
- Custodire la pompa e gli accessori in luogo asciutto durante i periodi di inattività.

4.1) Accurata pulizia

La pompa è robusta, completamente sigillata e non richiede attenzioni particolari.

Per ottenere un corretto funzionamento basterà osservare alcune semplici precauzioni:

- Dopo ogni giorno d'uso si deve ripulire l'unità e gli accessori con uno straccio pulito avendo cura di eliminare lo sporco depositatosi su di essi specialmente sui connettori (07 e 08) sull'innesto rapido (09) e nei relativi tappi di protezione.

4.2) Tubo flessibile

Il tubo flessibile non deve essere mai piegato bruscamente, annodato o calpestato.

Va riposto nella sacca avendo cura di fargli compiere il più largo raggio di curvatura possibile.



I tubi flessibili per alta pressione sono soggetti a naturale invecchiamento che ne può ridurre le prestazioni; di conseguenza la loro durata di vita è limitata.

*Al fine di garantire agli operatori un uso sicuro delle proprie unità, **Cembre** raccomanda di effettuare la sostituzione del tubo flessibile entro 10 anni dalla data impressa sui raccordi del tubo stesso.*



Prima di utilizzare la pompa verificare sempre l'integrità del tubo flessibile e degli innesti rapidi, assicurarsi che non siano presenti abrasioni, tagli, deformazioni o rigonfiamenti.

5. MANUTENZIONE

Controllare periodicamente, almeno ogni 6 mesi, il livello dell'olio nel serbatoio della pompa e, se necessario, provvedere al suo rabbocco.

5.1) Rabbocco dell'olio (Rif. a Fig. 7)

- Appoggiare la pompa su un piano orizzontale.
- Scaricare completamente l'olio premendo il pulsante di scarico.
- Svitare e togliere il tappo (02).
- Verificare il livello dell'olio all'interno del serbatoio quindi, se necessario, **rabboccare molto lentamente** fino a riempire completamente il serbatoio.
- A operazione conclusa, avvitare a fondo il tappo (02).

Per evitare la formazione di sacche di aria, si consiglia di mantenere il serbatoio dell'olio sempre pieno.

Usare esclusivamente olio del tipo consigliato al § 1.

Mai usare olio rigenerato o usato.

È necessario che l'olio sia pulito.

Le pompe in versione isolata (es. B70M-P24-KV) contengono olio con elevate caratteristiche isolanti, non inquinarlo con olii di altro tipo!



In occasione di eventuali sostituzioni dell'olio, smaltire l'olio esausto attenendosi scrupolosamente alla legislazione specifica in materia.

5.2) Eliminazione delle bolle d'aria dal circuito oleodinamico (Rif. a Fig. 8)

Le operazioni di collegamento e scollegamento del tubo flessibile e delle teste oleodinamiche potrebbero, con il tempo, causare la formazione di bolle d'aria nel circuito oleodinamico della pompa con conseguente imperfetto funzionamento della stessa.

Per espellere le bolle d'aria procedere nel modo seguente:

- Collegare il tubo e la testa oleodinamica alla pompa.
- Appoggiare la testa oleodinamica su un piano mantenendola in posizione verticale.
- Mantenere la pompa in posizione inclinata (vedi Fig. 8) ad una altezza di circa 1,5 m (4.9 ft) superiore a quella della testa.
- Azionare la pompa premendo il pulsante di avvio sino all'intervento del pressostato.
- Scaricare la pressione dell'olio completamente premendo il pulsante di scarico.
- Ripetere per almeno 3-4 volte le suddette operazioni per garantire che tutte le bolle d'aria si accumulino nella parte superiore del serbatoio.
- Controllare il livello dell'olio e se necessario rabboccare (vedi § 5.1).

6. FUNZIONAMENTO ANOMALO DELLA POMPA

INCONVENIENTI	POSSIBILI CAUSE	RIMEDI
Premendo il pulsante di avvio sulla pulsantiera di comando, la pompa non parte.	<i>Batteria scarica</i>	Caricare la batteria (vedi § 3.5).
	<i>Collegamento non corretto del cavo della pulsantiera di comando.</i>	Verificare il collegamento della pulsantiera bloccando a fondo il connettore (vedi § 3.1).
La pompa parte ma si spegne subito.	<i>Collegamento non corretto del tubo flessibile alla pompa o alla testa.</i>	Verificare il collegamento della pulsantiera bloccando a fondo il connettore (vedi § 3.1).
La pompa parte ma l'olio non va in pressione.	<i>Insufficiente quantità d'olio nel serbatoio.</i>	Provvedere al rabbocco dell'olio (vedi § 5.1).
Il pistone della testa collegata alla pompa non avanza oppure avanza in modo discontinuo o molto lentamente.	<i>Presenza di aria nel circuito interno della pompa.</i>	Provvedere all'eliminazione delle bolle d'aria (vedi § 5.2).
Dopo un uso intensivo la pompa non parte.	<i>Intervento della protezione termica dovuto al riscaldamento eccessivo del motore-pompa.</i>	Lasciare riposare la pompa e aspettare l'abbassamento della temperatura del motore.
Non è possibile innestare il tubo flessibile alla pompa.	<i>Pressione residua dell'olio all'interno del tubo.</i>	Collegare il tubo flessibile alla pompa tenendo premuto il pulsante di scarico pressione.

Se, anche dopo questi interventi, la pompa non funzionasse correttamente inviarla alla **Cembre** (vedi § 7).

7. RETURN TO **Cembre** FOR OVERHAUL

In the case of a breakdown contact our Area Agent who will advise you on the problem and give you the necessary instructions on how to dispatch the tool to our nearest service Centre; if possible, attach a copy of the Test Certificate supplied by **Cembre** together with the tool or fill in and attach the form available in the "ASSISTANCE" section of the **Cembre** website.

7. ENVOI EN REVISION A **Cembre**

En cas de dysfonctionnement de l'appareil, merci de vous adresser à notre Agent Régional qui vous conseillera et le cas échéant vous donnera les instructions nécessaires pour envoyer l'appareil à notre Centre de Service le plus proche. Dans ce cas, joindre une copie du Certificat d'Essai livré par **Cembre** avec l'appareil ou remplir et joindre le formulaire disponible dans la section "ASSISTANCE" du site web **Cembre**.

7. EINSENDUNG AN **Cembre** ZUR ÜBERPRÜFUNG

Sollten an dem Gerät Fehler auftreten, wenden Sie sich bitte an unsere Gebietsvertretung, die Sie gerne beraten und Ihnen alle nötigen Informationen zum Einsenden des Gerätes an unseren Hauptsitz geben wird. Wenn vorhanden, legen Sie dem Gerät bitte eine Kopie des von **Cembre** mitgelieferten Zertifikates bei oder füllen das, unter dem Bereich "SUPPORT" der **Cembre** Website, verfügbare Formular aus und fügen es bei.

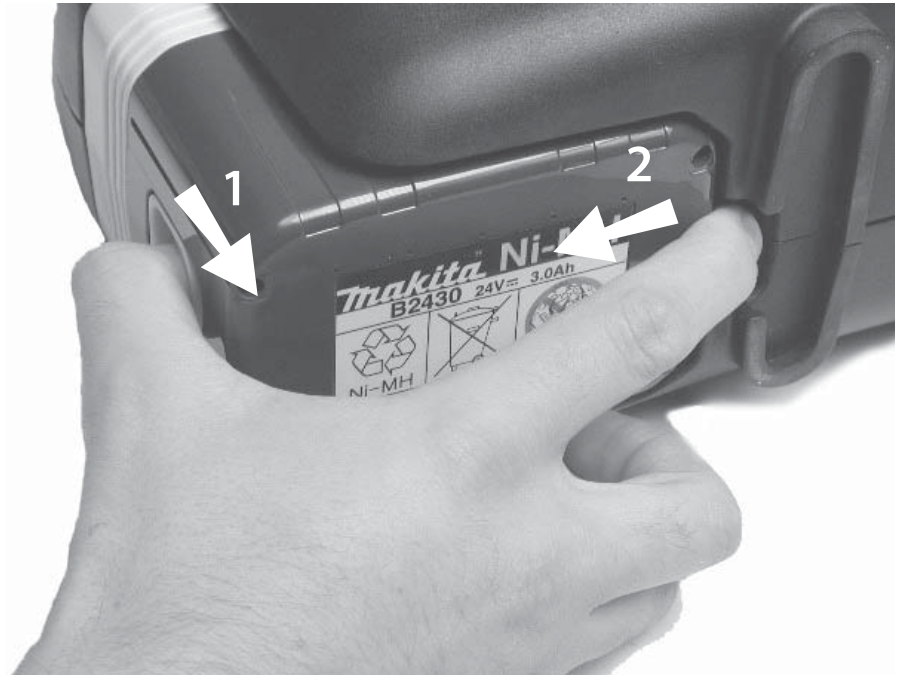
7. DEVOLUCION A **Cembre** PARA REVISIONES

En caso de fallo de la herramienta, contactar con nuestro Agente de Zona quien les aconsejará y eventualmente les facilitará las instrucciones necesarias para remitir la herramienta a nuestro centro de servicio más cercano. En tal caso, adjuntar a ser posible una copia del Certificado de Ensayo entregado en su día por **Cembre** con la herramienta o completar y adjuntar el formulario disponible en la sección "ASISTENCIA" del sitio web **Cembre**.

7. RESA ALLA **Cembre** PER REVISIONE

In caso di guasto contattare il nostro Agente di Zona il quale vi consiglierà in merito e fornirà le istruzioni necessarie per l'invio dell'utensile alla nostra Sede; se possibile, allegare copia del Certificato di Collaudo a suo tempo fornito dalla **Cembre** con l'utensile oppure, compilare ed allegare il modulo disponibile nella sezione "ASSISTENZA" del sito web **Cembre**.

FIG. 2
EXTRACTING THE BATTERY
AKKU-BEFREIUNG
EXTRACTION DE LA BATTERIE
EXTRACCION DE LA BATERIA
ESTRAZIONE DELLA BATERIA



VERTICAL POSITION - POSITION VERTICALE
 SENKRECHETE POSITION
 POSICION VERTICAL - POSIZIONE VERTICALE

HORIZONTAL POSITION - POSITION HORIZONTALE
 WAAGRECHETE POSITION
 POSICION HORIZONTAL - POSIZIONE ORIZZONTALE

FIG. 3
STABLE WORK POSITIONS - POSITIONS DE TRAVAIL STABLES - STABILE ARBEITSPPOSITIONEN -
POSICIONES DE TRABAJO ESTABLES - POSIZIONI DI LAVORO STABILI

Insulated versions - versions isolées
 Isolierte Ausführung - versiones aisladas
 versioni isolate

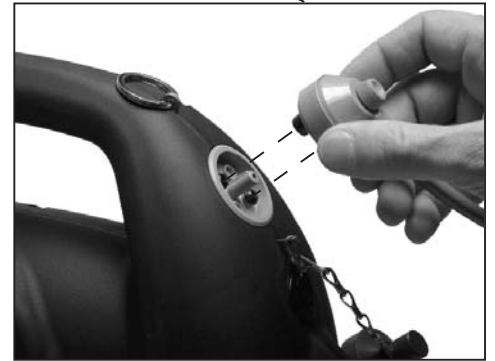
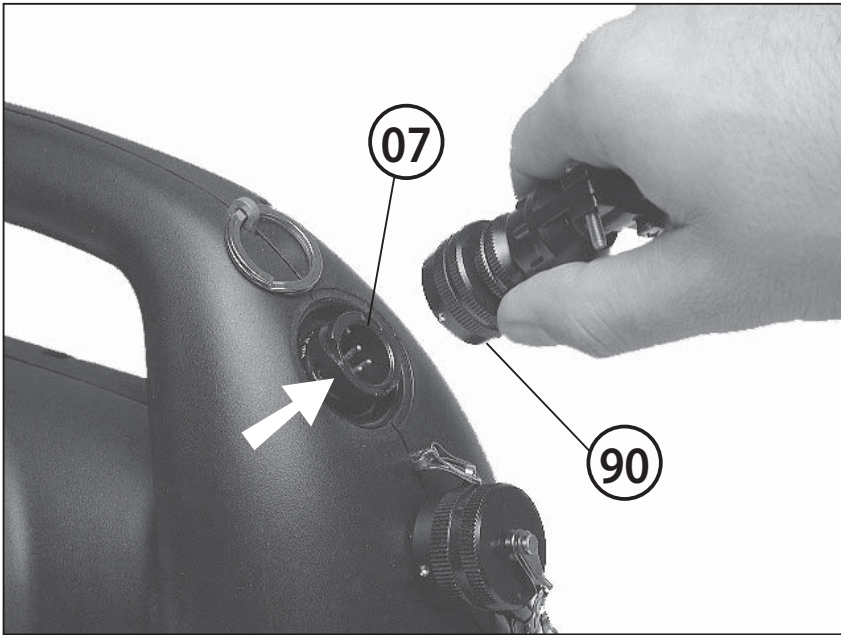


FIG. 4
REMOTE CONTROLLER CONNECTION
BRANCHEMENT DE LA POIGNEE DE
COMMANDE
FERNBEDINUNGS ANSCHLUSS
CONEXIÓN DEL MANDO MANUAL
COLLEGAMENTO DELLA PULSANTIERA

FIG. 5
FLEXIBLE HOSE CONNECTION
BRANCHEMENT DU FLEXIBLE
HOCKDRUCKSCHLAUCHLEITUNGS
ANSCHLUSS
CONEXIÓN DE LA MANGUERA FLEXIBLE
COLLEGAMENTO DEL TUBO FLESSIBILE

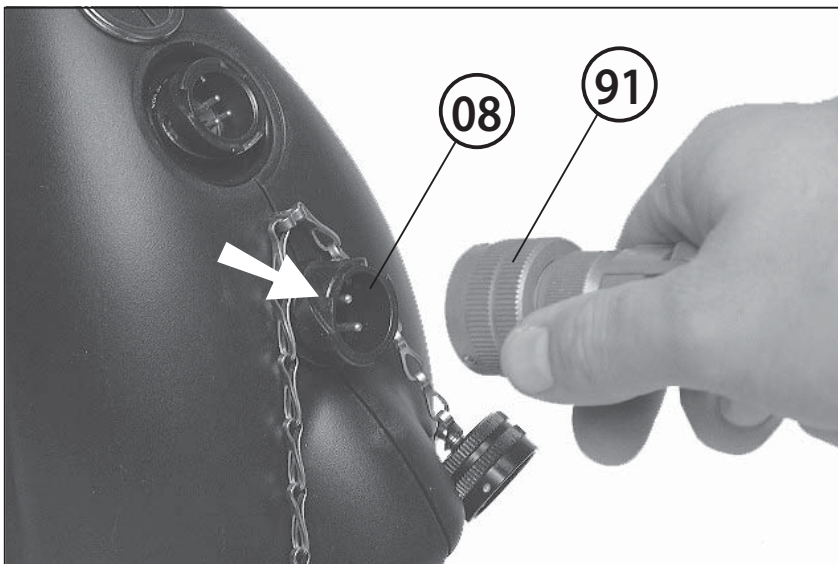
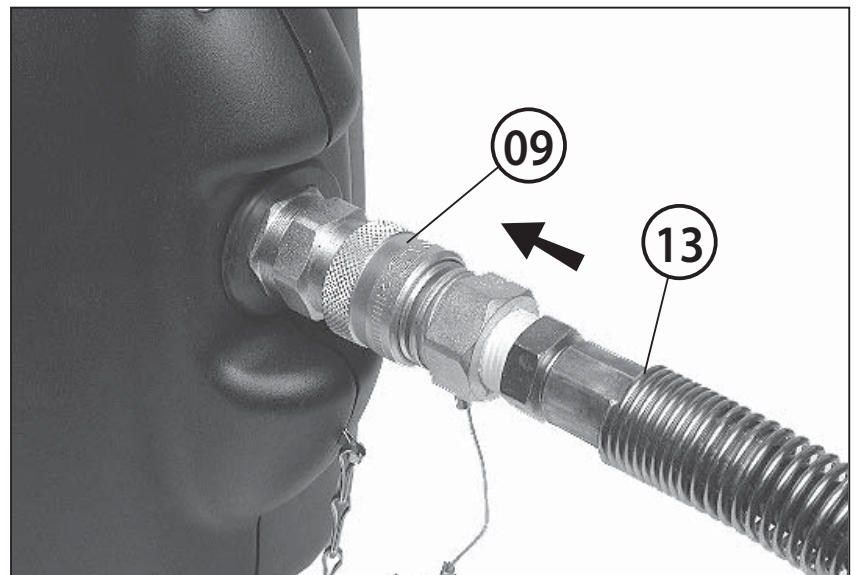


FIG. 6
EXTERNAL SUPPLY CONNECTION
BRANCHEMENT ALIMENTATION EXTER.
EXTERNE ENERGIEQUELLE ANSCHLUSS
CONEXIÓN ALIMENTACION EXTERNA
COLLEGAMENTO ALIMENTAZ. ESTERNA

(24V DC - 30A min.)

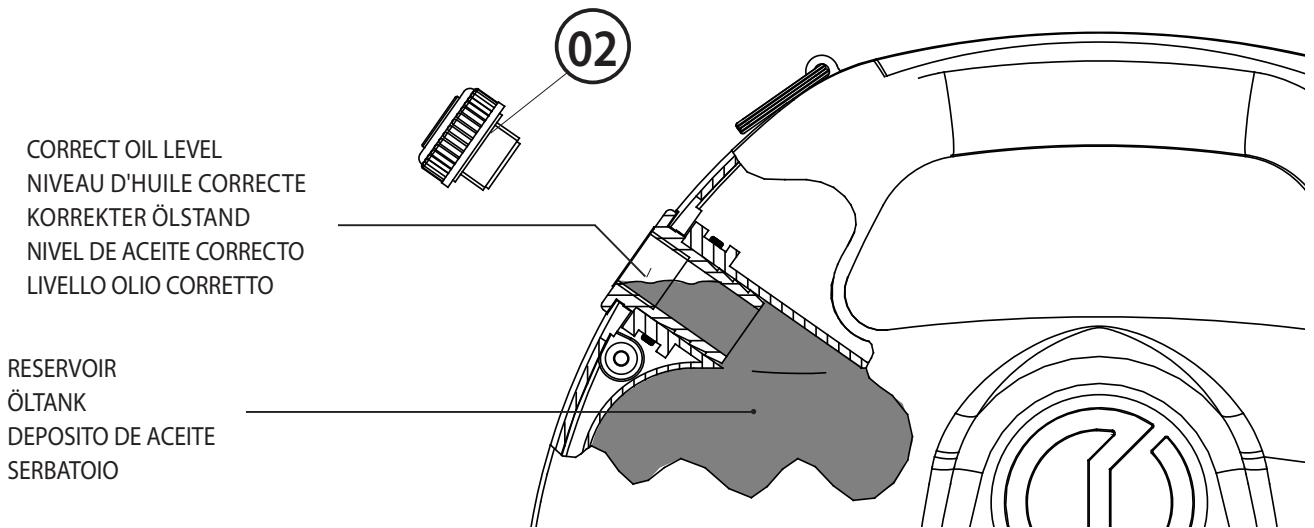


FIG. 7
OIL TOP UP - COMPLEMENT D'HUILE - ÖL NACHFÜLLEN - RELLENADO DE ACEITE - RABBOCCO OLIO

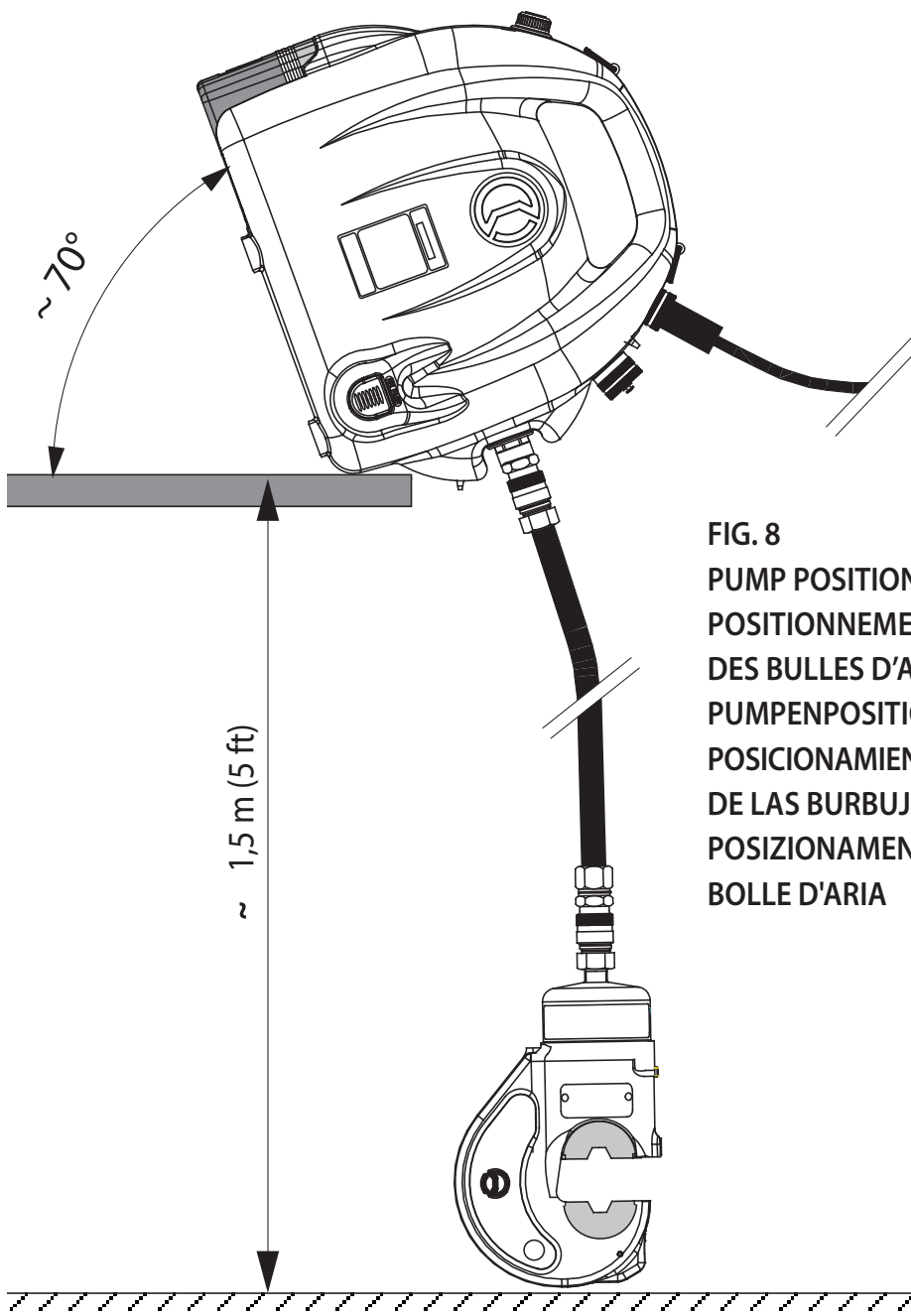


FIG. 8
PUMP POSITION FOR AIR BUBBLE REMOVAL
POSITIONNEMENT POMPE POUR L'EXPULSION
DES BULLES D'AIR
PUMPENPOSITION FÜR DIE ENTLÜFTUNG
POSICIONAMIENTO BOMBA PARA LA EXPULSIÓN
DE LAS BURBUJAS DE AIRE
POSIZIONAMENTO POMPA PER ELIMINAZIONE
BOLLE D'ARIA

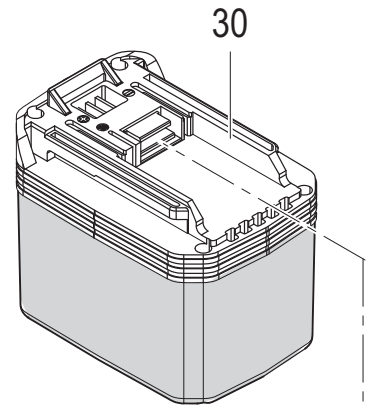
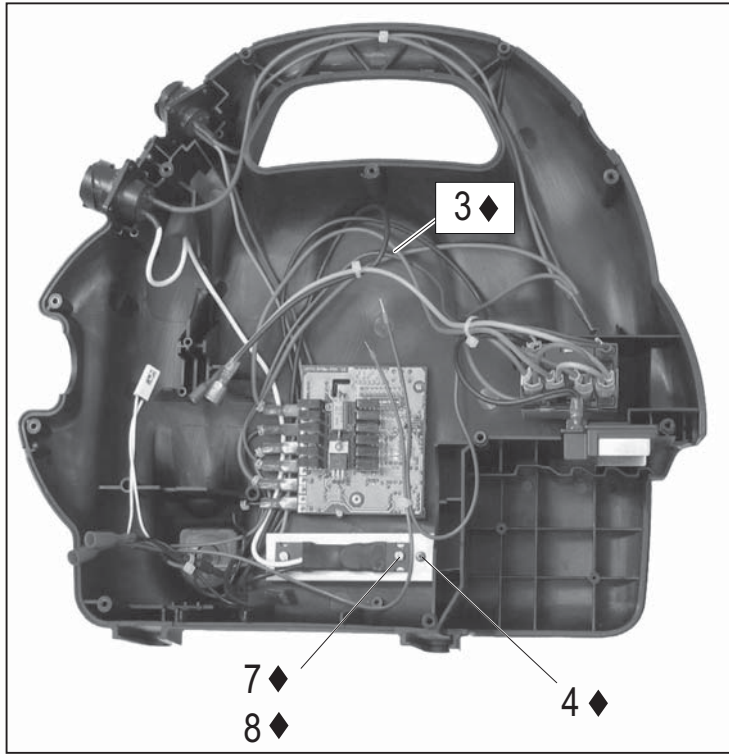
FIG. 9 PUMP AND ACCESSORIES - GROUPE ET ACCESSOIRES - PUMPE UND ZUBEHÖR
 BOMBA Y ACCESORIOS - POMPA ED ACCESSORI



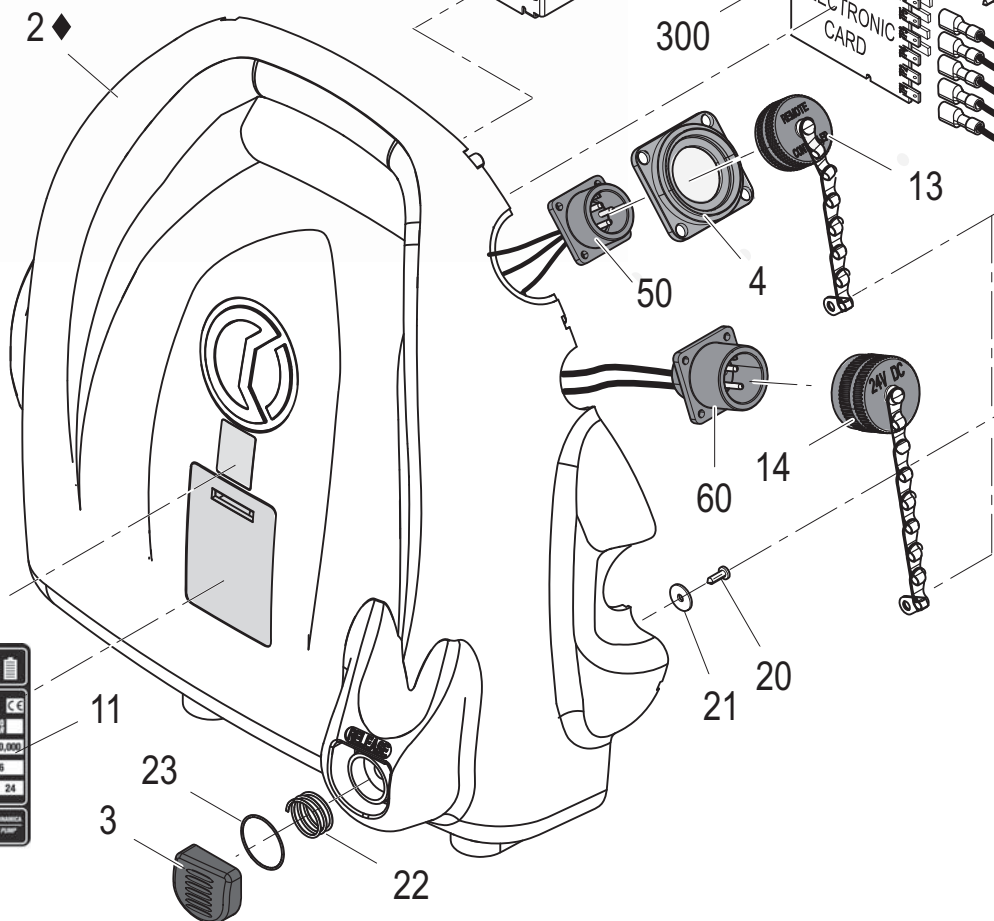
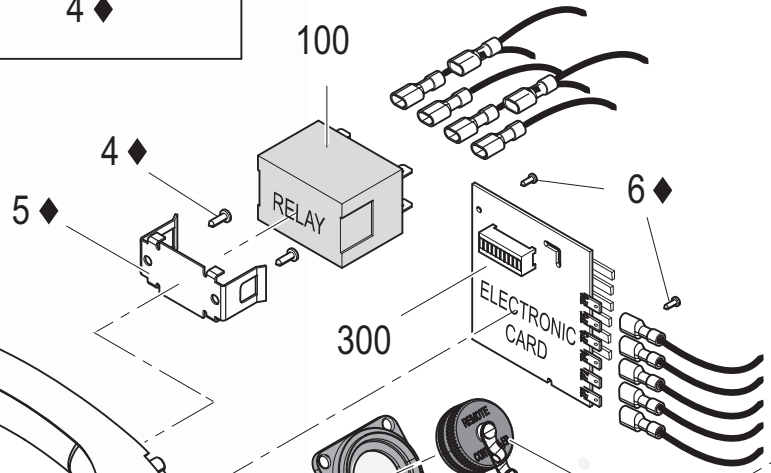
**SPARE PARTS LIST - PIECES DETACHEES -
ERSATZTEILLISTE - LISTA DE PIEZAS DE REPUESTO -
LISTA DEI RICAMBI**

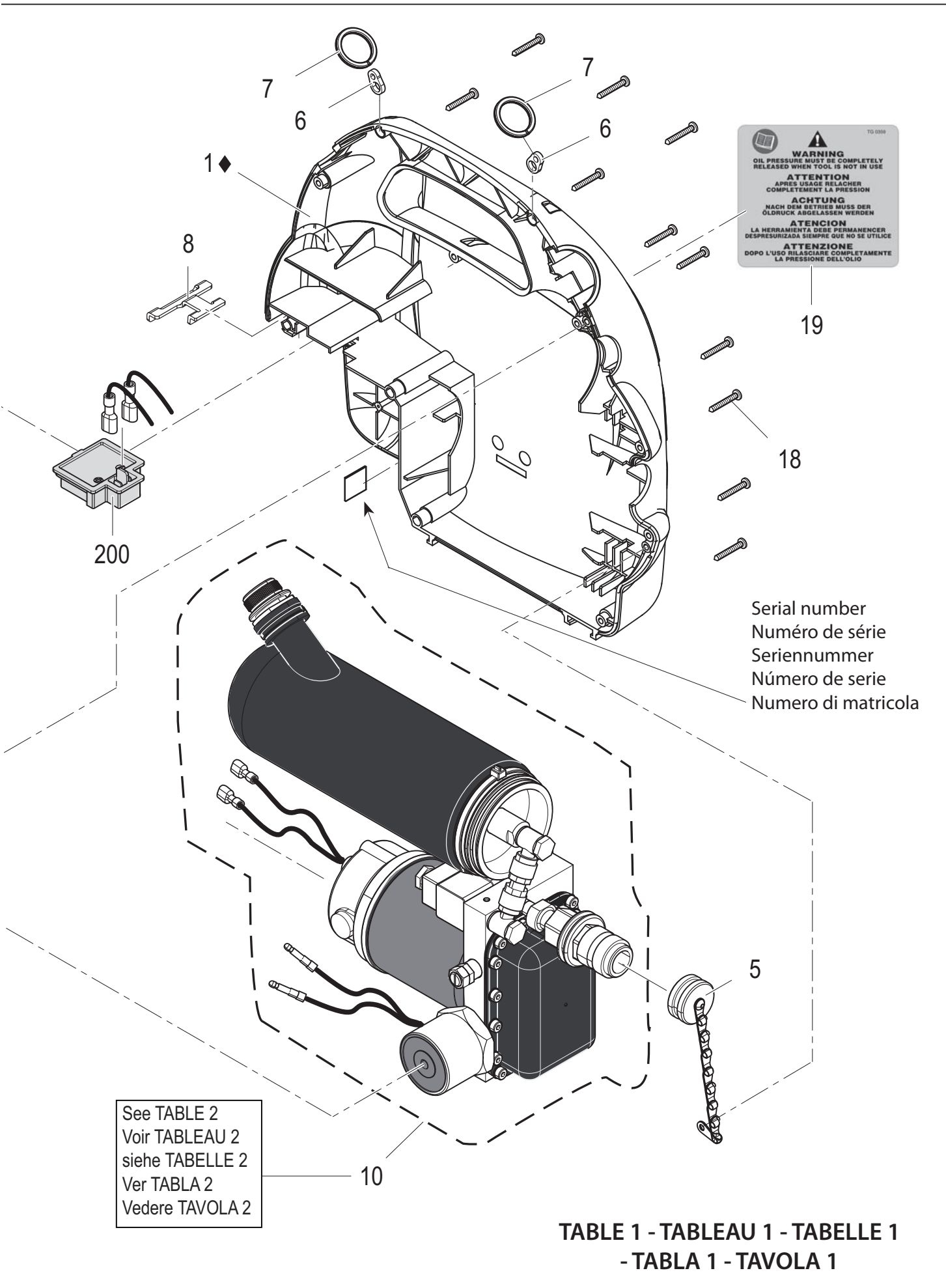
TABLE 1 - TABLEAU 1 - TABELLE 1 - TABLA 1 - TAVOLA 1

Code N° N° code Art.-Nr. N° código N° codice	Item Pièce Teil Elemento Componente	DESCRIPTION / DESIGNATION / BESCHREIBUNG / DESCRIPCION / DESCRIZIONE	Qty Q.tè Menge C.dad Q.tà
6000476	3	PRESSURE RELEASE BUTTON / BOUTON DE DECOMPRESSION / DRUCKABLAS- SKNOPF / PULSADOR DESCARGA PRESION / PULSANTE SBLOCCA PRESSIONE	1
6000477	4	FLANGE / FLASQUE / FLANSCH / BRIDA / FLANGIA INTERFACCIA	1
6000472	5	CAP / BOUCHON / VERSCHLUSS / TAPON / TAPPO	
6000304	6	RING CONNECTION / CONNEXION ANNEAU / RINGANSCHLUSS / CONEXIÓN ANILLO / ATTACCO ANELLO	2
6040427	7	RING / ANNEAU / RING / ANILLO / ANELLO	2
6000452	8	PLATE / PLAQUETTE / PLÄTTCHEN / PLAQUETA / PIASTRINA	1
6232426	9	LABEL / ETIQUETTE / SCHILD / ETIQUETA / ETICHETTA TG.0627	1
6000461	10	B70M-P24: MECHANICAL GROUP / GROUPE MECANIQUE / MECHANISCHE GRUPPE / GRUPO MECÁNICO / GRUPPO MECCANICA 700 bar	1
6000485		B85M-P24: MECHANICAL GROUP / GROUPE MECANIQUE / MECHANISCHE GRUPPE / GRUPO MECÁNICO / GRUPPO MECCANICA 850 bar	1
6232325	11	B70M-P24: PUMP LABEL / ETIQUETTE POMPE / TYPENSCHILD / ETIQUETA BOMBA / ETICHETTA POMPA TG0525	1
6232351		B85M-P24: PUMP LABEL / ETIQ. POMPE / TYPENSCHILD / ETIQUETA BOMBA / ETICHETTA POMPA TG0551	1
6000458	13	CAP / BOUCHON / VERSCHLUSS / TAPON / TAPPO	1
6000470	14	24V CAP / BOUCHON / VERSCHLUSS / TAPON / TAPPO 24V	1
6900656	18	SCREW / VIS / SCHRAUBE / TORNILLO / VITE 3,5X25	11
6232016	19	LABEL / ETIQUETTE / SCHILD / ETIQUETA / ETICHETTA TG.0359	1
6900661	20	SCREW / VIS / SCHRAUBE / TORNILLO / VITE 2,9X9,5	1
6640103	21	WASHER / RONDELLE / SCHEIBE / ARANDELA / ROSETTA D.3X12 XL	1
6520599	22	SPRING / RESSORT / FEDER / MUELLE / MOLLA	1
6361891	23	O-RING / JOINT TORIQUE / O-RING / JUNTA DE GOMA / GUARNIZIONE ORM	1
6000478	24	ELECTRIC CIRCUIT+SHELLS / CIRCUIT ELECTRIQUE+COQUILLES / STROMKREIS MIT GEHÄUSE / CIRCUITO ELECTRICO+CARCASAS / CIRCUITO ELETTRICO+GUSCI	1
6000474	24	1 RIGHT SHELL / COQUE DROITE / RECHTES GEHÄUSE / CARCASA DER. / GUSCIO DX	1
6000475	24	2 LEFT SHELL / COQUE GAUCHE / LINKES GEHÄUSE / CARCASA IZQ. / GUSCIO SX	1
6000479	24	3 COMPLETE ELECTRIC CIRCUIT / CIRCUIT ELECTRIQUE COMPL. / KOMPL. STROMKREIS / CIRCUITO ELECTRICO COMPL. / CIRCUITO ELETTRICO COMPLETO	1
6900661	24	4 SCREW / VIS / SCHRAUBE / TORNILLO / VITE 2,9X9,5	3
6000691	24	5 RELAY SUPPORT / SUPPORT RELAIS / RELAISHALTER / SOP.RELE / STAFFA RELE	1
6900646	24	6 SCREW / VIS / SCHRAUBE / TORNILLO / VITE 2,2X6,5	2
6900028	24	7 SCREW / VIS / SCHRAUBE / TORNILLO / VITE M3X12	2
6180171	24	8 NUT / ECROU / MUTTER / TUERCA / DADO M3 AUTOBL.	2
2596105	30	BATTERY / BATTERIE / AKKU / BATERIA / BATTERIA BH2433 Ni-MH 24V	1
8502003		BATTERY / BATTERIE / AKKU / BATERIA / BATTERIA PTM2417 Ni-MH 24V (only for USA)	1
6006132	50	SOCKET / CONNECTEUR / ANSCHLUSS / CONECTOR / CONNETTORE	1
6000460	60	24V SOCKET / CONNECTEUR / ANSCHLUSS / CONECTOR / CONNETTORE 24V	1
6000693	100	RELAY / RELAIS / RELE' 24V	1
6000451	200	BATTERY TERMINAL / TERMINAL BATTERIE / ANSCHLÜSSE AKKU / TERMINAL BATERIA / TERMINALE BATTERIA	1
6000480	300	ELECTRONIC CARD / FICHE ELECTRONIQUE / STEUERUNGSPLATINE / TARJETA ELECTRONICA / SCHEDA ELETTRONICA	1



◆ 24





TG 0299

WARNING
OIL PRESSURE MUST BE COMPLETELY
RELEASED WHEN TOOL IS NOT IN USE

ATTENTION
APRES USAGE RELACHER
COMPLETEMENT LA PRESSION

ACHTUNG
NACH DEM BETRIEB MUSS DER
ÖLDRUCK ABGELASSEN WERDEN

ATENCION
LA HERRAMIENTA DEBE PERMANECER
DESPRESURIZADA SIEMPRE QUE NO SE UTILICE

ATENCIONE
DOPO L'USO RILASCIARE COMPLETAMENTE
LA PRESSIONE DELL'OLIO

Serial number
 Numéro de série
 Seriennummer
 Número de serie
 Numero di matricola

See TABLE 2
 Voir TABLEAU 2
 siehe TABELLE 2
 Ver TABLA 2
 Vedere TAVOLA 2

TABLE 1 - TABLEAU 1 - TABELLE 1
 - TABLA 1 - TAVOLA 1

TABLE 2 - TABLEAU 2 - TABELLE 2 - TABLA 2 - TAVOLA 2 (ITEM 10)

Code N° N° code Art.-Nr. N° código N° codice	Item Pièce Teil Elemento Componente	DESCRIPTION / DESIGNATION / BESCHREIBUNG / DESCRIPCION / DESCRIZIONE	Qty Q.tè Menge C.dad Q.tà
6000463	2	B70M-P24: ECCENTRIC SHAFT / ARBRE EXCENTRIQUE / EXENTERWELLE / EJE EXCÉNTRICO / ALBERO ECCENTRICO	1
6000486		B85M-P24: ECCENTRIC SHAFT / ARBRE EXCENTRIQUE / EXENTERWELLE / EJE EXCÉNTRICO / ALBERO ECCENTRICO	1
6000442	4	OIL SUMP / CARTER D'HUILE / ÖLKAPPE / CARTER ACEITE / COPPA OLIO	1 K
6720093	5	OIL RESERVOIR / RESERVOIR D'HUILE / ÖLTANK / DEPOSITO / SERBATOIO OLIO	1
6000465	6	BUSH / DOUILLE / BUCHSE / CASQUILLO / BUSSOLA	1
6620346	7	PRESSURE RELEASE PIN / AXE DE DECOMPRESSION / DRUCKABLASSTIFT / PISTONCILLO DESCARGA PRESION / PISTONCINO SBLOCCA PRESSIONE	1
6000466	8	SPACER / ENTRETOISE / DISTANZSTÜCK / DISTANCIADOR / DISTANZIALE	1
6000467	9	RESERVOIR FLANGE / FLASQUE / FLANSCH / BRIDA / FLANGIA SERBATOIO	1
6362036	10	SEAL / JOINT / DICHTUNG / JUNTA DE GOMA / GUARNIZIONE	1
6000468	11	EXTENSION / RALLONGE / VERLÄNGERUNG / PROLONGACIÓN / PROLUNGA	1
6000469	12	FLANGE / FLASQUE / FLANSCH / BRIDA / FLANGIA	1
6650089	13	FITTING / RACCORD / ANSCHLUSS / EMPALME / RACCORDO SERBATOIO	1
6895034	14	COMPLETE VALVE / VALVE COMPLETE / KOMPLETTES VENTIL / VALVULA COMPLETA / VALVOLA COMPLETA	1
6360161	14-7	O-RING / JOINT TORIQUE / O-RING / JUNTA DE GOMA / GUARNIZIONE OR	1 K
6250044	15	OIL FILTER / FILTRE A HUILE / ÖLFILTER / FILTRO ACEITE / FILTRO OLIO	1
6000703	16	24V DC SOLENOID / SOLÉNOÏDE / SOLENOIDSPULE / SOLENOIDE 24V DC	1
6362017	17	SEAL / JOINT / DICHTUNG / JUNTA DE GOMA / GUARNIZIONE	2 K
6040063	18	BACK-UP RING / ANNEAU TEFL. / STÜTZRING / ANILLO PLASTICO / ANELLO BK	1 K
6360123	19	O-RING / JOINT TORIQUE / O-RING / JUNTA DE GOMA / GUARNIZIONE OR	1 K
6360120	20	O-RING / JOINT TORIQUE / O-RING / JUNTA DE GOMA / GUARNIZIONE OR	1 K
6040060	21	BACK-UP RING / ANNEAU TEFL. / STÜTZRING / ANILLO PLASTICO / ANELLO BK	1 K
6362002	22	SEAL / JOINT / DICHTUNG / JUNTA DE GOMA / GUARNIZIONE V1	1 K
6740120	23	BALL / BILLE / KUGEL / BOLA / SFERA 7/32"	1 K
6600100	24	BALL SUPPORT / SUPP. BILLE / / KUGELHALTER / SOPORTE BOLA / NOTTOLINO SFERA	1
6520241	25	SPRING / RESSORT / FEDER / MUELLE / MOLLA	1 K
6800076	26	CAP / BOUCHON / VERSCHLUSS / TAPON / TAPPO SERBATOIO	1
6360225	26-2	O-RING / JOINT TORIQUE / O-RING / JUNTA DE GOMA / GUARNIZIONE OR	1 K
3041766	27	TIE / COLLIER / BINDER / ABRAZADERA / FASCETTA G200X3.6N	1 K
3041821	28	TIE / COLLIER / BINDER / ABRAZADERA / FASCETTA G370X4.8N	1 K
6360261	29	O-RING / JOINT TORIQUE / O-RING / JUNTA DE GOMA / GUARNIZIONE OR	2 K
6000311	35	MAGNET / AIMANT / MAGNET / IMAN / MAGNETE	1
6090588	37	ELECTRIC MOTOR / MOTEUR ELECTRIQUE / ELEKTROMOTOR / MOTOR ELECTRICO / MOTORE ELETTRICO 24V	1
6000749	38	B70M-P24: PRESSURE SWITCH / PRESSIOSTAT/ DRUCKSCHALTER / PRESOSTATO / PRESSOSTATO 700 bar	1
6000782		B85M-P24: PRESSURE SWITCH / PRESSIOSTAT/ DRUCKSCHALTER / PRESOSTATO / PRESSOSTATO 850 bar	1
6362083	39	SEAL / JOINT / DICHTUNG / JUNTA DE GOMA / GUARNIZIONE	1
6001240	40	BEARING / ROULEMENT / KUGELLAGER / COJINETE / CUSCINETTO	1
6000935	41	BEARING / ROULEMENT / KUGELLAGER / COJINETE / CUSCINETTO	1
6000777	42	BEARING / ROULEMENT / KUGELLAGER / COJINETE / CUSCINETTO	1

Code N° N° code Art.-Nr. N° código N° codice	Item Pièce Teil Elemento Componente	DESCRIPTION / DESIGNATION / BESCHREIBUNG / DESCRIPCION / DESCRIZIONE	Qty Q.tè Menge C.dad Q.ta	
6360202	43	O-RING / JOINT TORIQUE / O-RING / JUNTA DE GOMA / GUARNIZIONE OR	1	K
2593865	44	QUICK COUPLER / RACCORD RAPIDE / SCHNELLKUPPLUNG / ACOPLAMIENTO RAPIDO / INNESTO RAPIDO Q14-F	1	
2051655	46	TERMINAL / COSSE / KABELSCHUH / TERMINAL / CAPOCORDA RF-M608-P	2	
2051660	48	TERMINAL / COSSE / KABELSCHUH / TERMINAL / CAPOCORDA RF-BM4	2	
6000745	49	WASHER / RONDELLE / SCHEIBE / ARANDELA / RONDELLA	3	
6900307	50	SCREW / VIS / SCHRAUBE / TORNILLO / VITE M5x25	3	
6900338	51	SCREW / VIS / SCHRAUBE / TORNILLO / VITE M6x35	2	
6900627	53	SCREW / VIS / SCHRAUBE / TORNILLO / VITE A COLLETTA	16	
6640113	54	WASHER / RONDELLE / SCHEIBE / ARANDELA / RONDELLA NORD-LOCK	4	
6900294	55	SCREW / VIS / SCHRAUBE / TORNILLO / VITE A COLLETTA D.6/M5x30	2	
6000502	56	B70M-P24: PUMPING RAM / PISTON DE POMPAGE / PUMPKOLBEN / PISTON BOMBEO / POMPANTE	2	
6000501		B85M-P24: PUMPING RAM / PISTON DE POMPAGE / PUMPKOLBEN / PISTON BOMBEO / POMPANTE	2	
6361874	56-1	O-RING / JOINT TORIQUE / O-RING / JUNTA DE GOMA / GUARNIZIONE OR	2	K
6000505	57	DISTRIBUTOR / DISTRIBUTEUR / VERTEILER / DISTRIBUIDOR / DISTRIBUTORE	1	
6900016	58	SCREW / VIS / SCHRAUBE / TORNILLO / VITE M3X5	8	
6362066	59	SEAL / JOINT / DICHTUNG / JUNTA DE GOMA / GUARNIZIONE	2	
6640101	60	WASHER / RONDELLE / SCHEIBE / ARANDELA / ROSETTA D5,3X9,2X0,45	16	
6100039	61	KEY / CLAVETTE / STÜTZPLÄTTCHEN / TOPE / CHIAVETTA	1	
6000674	62	LEFT PLATE / PLAQUETTE GAUCHE / LINKES PLÄTTCHEN / CHAPITA IZQ. / PIASTRINA SX	1	
6000675	63	RIGHT PLATE / PLAQ.DROITE / RECHTES PLÄTTCHEN / CHAPITA DER. / PIASTRINA DX	1	
6640094	64	WASHER / RONDELLE / SCHEIBE / ARANDELA / ROSETTA D.4 SCHNORR	4	
6900060	65	SCREW / VIS / SCHRAUBE / TORNILLO / VITE M4X8	4	
6000226	66	FILTER NET / GRILLE DU FILTRE / FILTERGITTER / RED FILTRO / RETINA FILTRO	1	
6000537	200	PLATE / PLAQUE / PLATTE / PLACA / PIASTRA POMPANTI	1	
6006426	400	RESERVOIR CONECTION KIT / KIT POUR RACCORDEMENT DU RESERVOIR / ANSCHLUSS- KIT FÜR ÖLTANK / KIT DE CONEXIÓN DEPÓSITO / KIT COLLEGAMENTO SERBATOIO	1	
6360123	519	B85M-P24: O-RING / JOINT TORIQUE / O-RING / JUNTA DE GOMA / GUARNIZIONE OR	1	
6900188	560	B85M-P24: SCREW / VIS / SCHRAUBE / TORNILLO / VITE M4x20	4	
6000487	570	B85M-P24: PRESSURE SWITCH BASE / BASE DU PRESSIOSTAT / DRUCKSCHALTERUNTERSEITE / BASE PRESOSTATO / INTERFACCIA PRESSOSTATO	1	
6000488	580	B85M-P24: FLANGE / FLASQUE / FLANSCH / BRIDA / FLANGIA	1	

- **SPARE PARTS KIT code no. 6000061** includes items marked "K" in table, available on request.
- Sur demande est disponible le **PAQUET RECHANGE code 6000061** qui inclut les éléments repérés par la lettre "K".
- Auf Anfrage kann das **ERSATZTEILKIT Art.-Nr. 6000061** mit allen Ersatzteilen, die mit "K" markiert sind, geliefert werden.
- Bajo demanda está disponible el **PAQUETE DE REPUESTO cod. 6000061** que comprende los elementos marcados con la "K".
- A richiesta, é disponibile la **CONFEZIONE RICAMBIO cod. 6000061** comprendente i componenti contrassegnati dalla lettera "K".

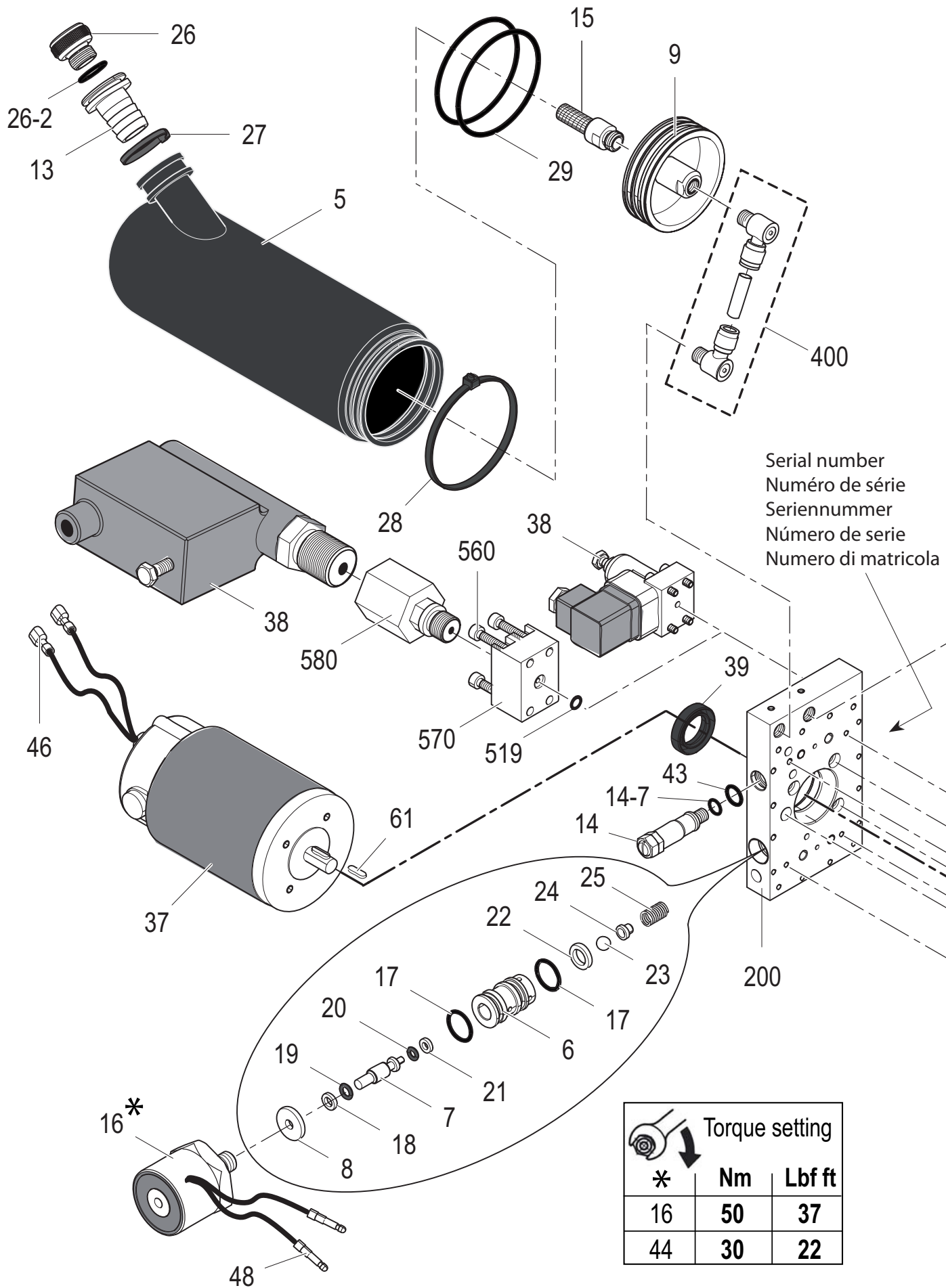
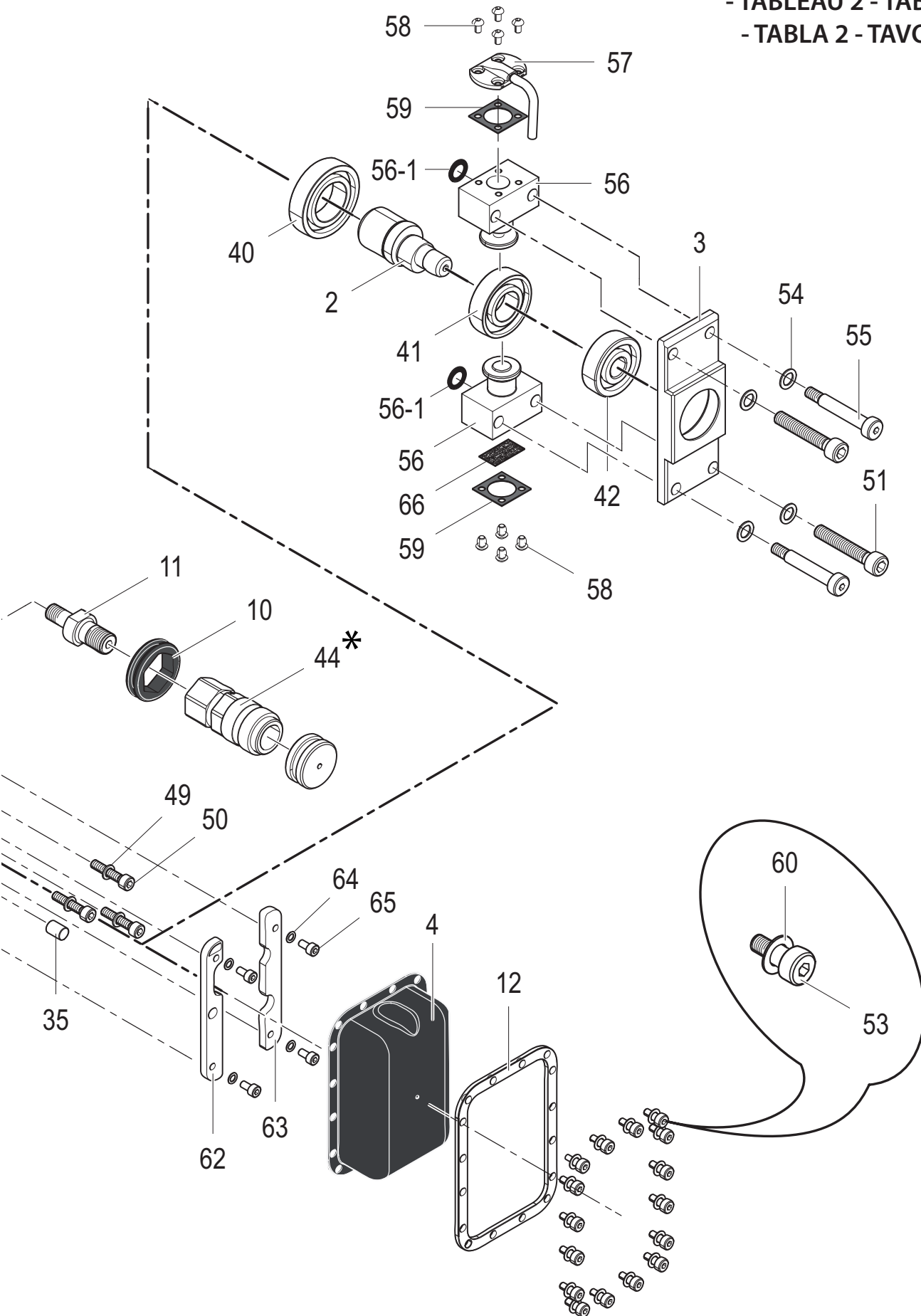


TABLE 2
 - TABLEAU 2 - TABELLE 2
 - TABLA 2 - TAVOLA 2



ENGLISH

*The guarantee is void if parts used are not **Cembre** original spares.*

When ordering spare parts always specify the following:

- Code no. of item
- Description of item
- Type of pump
- Serial number of pump

FRANÇAIS

*La garantie perd tout effet en cas d'emploi de pièces détachées différentes des pièces d'origine **Cembre**.*

Lors de la commande de pièces détachées, veuillez indiquer toujours les éléments suivants:

- numéro de code article de la pièce
- désignation de la pièce
- type de pompe
- numéro de série de la pompe

DEUTSCH

Die Garantie verfällt, wenn nicht Originalteile aus dem Hause **Cembre** in das Gerät eingebaut werden.

Geben Sie bitte bei der Bestellung aller Ersatzteile folgende Informationen an:

- Artikelnummer des Ersatzteils
- Beschreibung des Ersatzteils
- Pumpentyp
- Seriennummer der Pumpe

ESPAÑOL

*La garantía pierde su valor si se utilizan piezas de repuesto distintas de las originales **Cembre**.*

Al pedir piezas de repuesto, indicar siempre los elementos siguientes:

- número de código del elemento
- descripción del elemento
- tipo de la bomba
- número de serie de la bomba

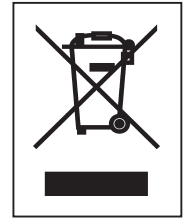
ITALIANO

*La garanzia decade qualora vengano utilizzate parti di ricambio non originali **Cembre**.*

Per ordinare parti di ricambio, specificare sempre i seguenti punti:

- numero di codice del componente
- denominazione del componente
- denominazione della pompa
- numero di matricola della pompa

- Following information applies in member states of the European Union:
- Les informations suivantes sont destinées aux pays membres de l'Union Européenne:
- Verbrauchte Akkus der allgemeinen Abfallentsorgung zuführen:
- Las siguientes informaciones conciernen a los estados miembros de la Unión Europea:
- Le seguenti informazioni riguardano gli stati membri dell'Unione Europea:



USER INFORMATION in accordance with **Directives 2011/65/EU and 2012/19/EU.**

The 'Not in the bin' symbol above when shown on equipment or packaging means that the equipment must, at the end of its life, be disposed of separately from other waste.

The separate waste collection of such equipment is organised and managed by the manufacturer.

Users wishing to dispose of such equipment must contact the manufacturer and follow the prescribed guidelines for its separate collection. Appropriate waste separation, collection, environmentally compatible treatment and disposal is intended to reduce harmful environmental effects and promote the reuse and recycling of materials contained in the equipment. Unlawful disposal of such equipment will be subject to the application of administrative sanctions provided by current legislation.

INFORMATION POUR LES UTILISATEURS aux termes des **Directives 2011/65/EU et 2012/19/EU.**

Le symbole "poubelle barrée" apposé sur l'appareil ou sur son emballage indique que le produit, à la fin de sa vie utile, doit être recueilli séparément des autres déchets.

La collecte sélective du présent appareil en fin de vie est organisée et gérée par le producteur. L'utilisateur qui voudra se défaire du présent appareil devra par conséquent contacter le producteur et suivre le système que celui-ci a adopté pour consentir la collecte séparée de l'appareil en fin de vie. La collecte sélective adéquate pour l'envoi successif de l'appareil destiné au recyclage, au traitement et à l'élimination compatible avec l'environnement contribue à éviter les effets négatifs possibles sur l'environnement et sur la santé et favorise la réutilisation ou le recyclage des matériaux dont l'appareil est composé.

L'élimination abusive du produit par le détenteur comporte l'application des sanctions administratives prévues par les lois en vigueur.

INFORMATION FÜR DEN BENUTZER gemäß der Richtlinien 2011/65/EU und 2012/19/EU.

Das durchgekennzeichnete Zeichen des Mülleimers, das auf dem Gerät oder seiner Verpackung angebracht ist, zeigt an, dass das Produkt am Ende seiner Lebenszeit von der allgemeinen Abfallentsorgung getrennt werden muss. Die getrennte Sammlung des vorliegenden, zu entsorgenden Gerätes, wird vom Hersteller organisiert und verwaltet. Der Eigentümer, der das Gerät zu entsorgen wünscht, muss sich daher mit dem Hersteller in Verbindung setzen und die von ihm ausgewählte Methode, für die getrennte Sammlung des zu entsorgenden Gerätes, befolgen.

Eine angemessene getrennte Sammlung zur Vorbereitung des Altgerätes für Recycling, Aufbereitung und für eine umweltfreundliche Entsorgung, trägt dazu bei, mögliche negative Auswirkungen auf die Umwelt und auf den Gesundheitszustand zu vermeiden, und begünstigt die Wiederverwertung und das Recycling der Materialien des Gerätes. Bei widerrechtlicher Entsorgung des Produktes durch den Benutzer, werden die vom Gesetz vorgesehene Verwaltungs-sanktionen angewandt.

INFORME PARA LOS USUARIOS en los términos de las **Directivas 2011/65/EU y 2012/19/EU.**

El símbolo del contenedor de basura cruzado por un aspa que aparece en el equipo o sobre su embalaje indica que, al final de su ciclo de vida útil, el producto debe ser eliminado independientemente de otros desechos.

La recogida selectiva del presente equipo, llegado al final de su ciclo de vida, es organizada y manejada por el fabricante. El usuario que desee deshacerse del presente equipo deberá, por lo tanto, contactar con el fabricante y seguir el sistema adoptado por el mismo para permitir la recogida por separado del equipo que ha concluido su ciclo de vida. La adecuada recogida selectiva, para el sucesivo envío del equipo dado de baja al reciclaje, al tratamiento y al saneamiento ambiental compatible, contribuye a evitar posibles efectos negativos sobre el medio ambiente y sobre la salud favoreciendo el reemplazo y el reciclaje de los materiales que componen el equipo. La eliminación abusiva del equipo por parte del propietario implica la aplicación de las sanciones administrativas prevista por la legislación vigente.

INFORMAZIONE AGLI UTENTI ai sensi delle **Direttive Europee 2011/65/EU e 2012/19/EU.**

Il simbolo del cassonetto barrato riportato sull'apparecchiatura o sulla sua confezione indica che il prodotto, alla fine della sua vita utile, deve essere raccolto separatamente dagli altri rifiuti.

La raccolta differenziata della presente apparecchiatura giunta a fine vita è organizzata e gestita dal produttore. L'utente che vorrà disfarsi della presente apparecchiatura dovrà quindi contattare il produttore e seguire il sistema che questo ha adottato per consentire la raccolta separata dell'apparecchiatura giunta a fine vita. L'adeguata raccolta differenziata per l'avvio successivo dell'apparecchiatura dismessa al riciclaggio, al trattamento ed allo smaltimento ambientalmente compatibile contribuisce ad evitare possibili effetti negativi sull'ambiente e sulla salute e favorisce il reimpiego e/ il riciclo dei materiali di cui è composta l'apparecchiatura. Lo smaltimento abusivo del prodotto da parte del detentore comporta l'applicazione delle sanzioni amministrative previste.



Cembre

EU/UE DECLARATION OF CONFORMITY DECLARATION DE CONFORMITE KONFORMITÄTSERKLÄRUNG DECLARACIÓN DE CONFORMIDAD DICHIARAZIONE DI CONFORMITÀ

We Nous Wir Nos Noi **Cembre S.p.A. Via Serenissima, 9 – 25135 Brescia (Italy)**
(supplier's name) (nom du fournisseur) (Name des Anbieters) (nombre del fabricante) (nome del fornitore)

Person authorised to compile the technical file
Personne autorisée à constituer le dossier technique
Person die bevollmächtigt ist die technischen Unterlagen zusammenzustellen
Persona facultada para elaborar el expediente técnico
Persona autorizzata a costituire il file tecnico

..... **Ennio Peroni Via Serenissima, 9 – 25135 Brescia (Italy)**

(name and address) (nom et adresse) (Name und Adresse) (nombre y direccion) (nome e indirizzo)

Declare under our sole responsibility that the product
Déclarons sous notre seule responsabilité que le produit
Erklären in alleiniger Verantwortung daß das Produkt
Declaramos bajo nuestra responsabilidad que el producto
Dichiariamo sotto nostra unica responsabilità che il prodotto

..... **B70M-P24 ; B70M-P24A ; B70M-P24-KV ; B85M-P24**

(type) (type) (Typ) (tipo) (tipo)

(serial number) (no de série) (Seriennummer) (n° de serie) (numero di serie)

To which this declaration relates is in conformity with the following standard(s) or other normative document(s).
Auquel cette déclaration se réfère est conforme à la (aux) norme(s) ou autre(s) document(s) normatif(s)
Auf das sich diese Erklärung bezieht mit der/den folgenden Norm(en) oder normativen Dokument(en) übereinstimmt
Al que se refiere esta declaración, cumple la(s) norma(s) u otro(s) documento(s) normativo(s)
Al quale si riferisce questa dichiarazione è conforme alla(e) norma(e) o altro(i) documento(i) normativo(i)

..... **EN ISO 12100 EN ISO 3744 EN ISO 11202
EN ISO 5349-1/2 EN 55014-1/A1 EN 55014-2**

(title and/or number) (titre et/ou numéro) (Titel und/oder Nummer) (título y/o número) (titolo e/o numero)

Following the provisions of Directive(s)
Conformément aux dispositions de(s) Directive(s)
Gemäss den Bestimmungen der Richtlinie(n)
De acuerdo con las disposiciones de la(s) Directiva(s)
Conformemente alle disposizioni della(e) direttiva(e)

..... **2006/42/EC 2014/30/EU**

(title and/or number) (titre et/ou numéro) (Titel und/oder Nummer) (título y/o número) (titolo e/o numero)



Cembre S.p.A.
Aldo Bottini Bongrani
Director - Sales and Marketing

..... **Brescia li 11-04-2014**

(Place and date of issue)

(Lieu et date)

(Ort und Datum der Ausstellung)

(Lugar y fecha de emisión)

(Luogo e data di emissione)

(name and signature or equivalent marking of authorized person)

(nom et signature du signataire autorisé)

(Name und Unterschrift oder gleichwertige Kennzeichnung des Befugten)

(nombre y firma del signatario autorizado)

(nome e firma di persona autorizzata)

16 V 202

This manual is the property of Cembre: any reproduction is forbidden without written permission.
Ce manuel est la propriété de Cembre: toute reproduction est interdite sauf autorisation écrite.
Diese Bedienungsanleitung ist Eigentum der Firma Cembre.
Ohne vorherige schriftliche Genehmigung darf die Bedienungsanleitung weder vollständig noch teilweise vervielfältigt werden.
Este manual es propiedad de Cembre. Toda reproducción está prohibida sin autorización escrita.
Questo manuale è di proprietà della Cembre: ogni riproduzione è vietata se non autorizzata per scritto.



Cembre

www.cembre.com



Cembre S.p.A.
Via Serenissima, 9
25135 Brescia (Italia)
Telefono: 030 36921
Telefax: 030 3365766
E-mail: sales@cembre.com
www.cembre.com

Cembre Ltd.
Dunton Park
Kingsbury Road, Curdworth - Sutton Coldfield
West Midlands B76 9EB (UK)
Tel.: 01675 470440 - Fax: 01675 470220
E-mail: sales@cembre.co.uk
www.cembre.co.uk

Cembre S.a.r.l.
22 Avenue Ferdinand de Lesseps
91420 Morangis (France)
Tél.: 01 60 49 11 90 - Fax: 01 60 49 29 10
CS 92014 - 91423 Morangis Cédex
E-mail: info@cembre.fr
www.cembre.fr

Cembre España S.L.U.
Calle Verano 6 y 8
28850 Torrejón de Ardoz - Madrid (España)
Teléfono: 91 4852580
Telefax: 91 4852581
E-mail: comercial@cembre.es
www.cembre.es

Cembre GmbH
Heidemannstraße 166
80939 München (Deutschland)
Telefon: 089 3580676
Telefax: 089 35806777
E-mail: sales@cembre.de
www.cembre.de

Cembre Inc.
Raritan Center Business Park
181 Fieldcrest Avenue
Edison, New Jersey 08837 (USA)
Tel.: (732) 225-7415 - Fax: (732) 225-7414
E-mail: sales.US@cembreinc.com
www.cembreinc.com

cod. 6261252