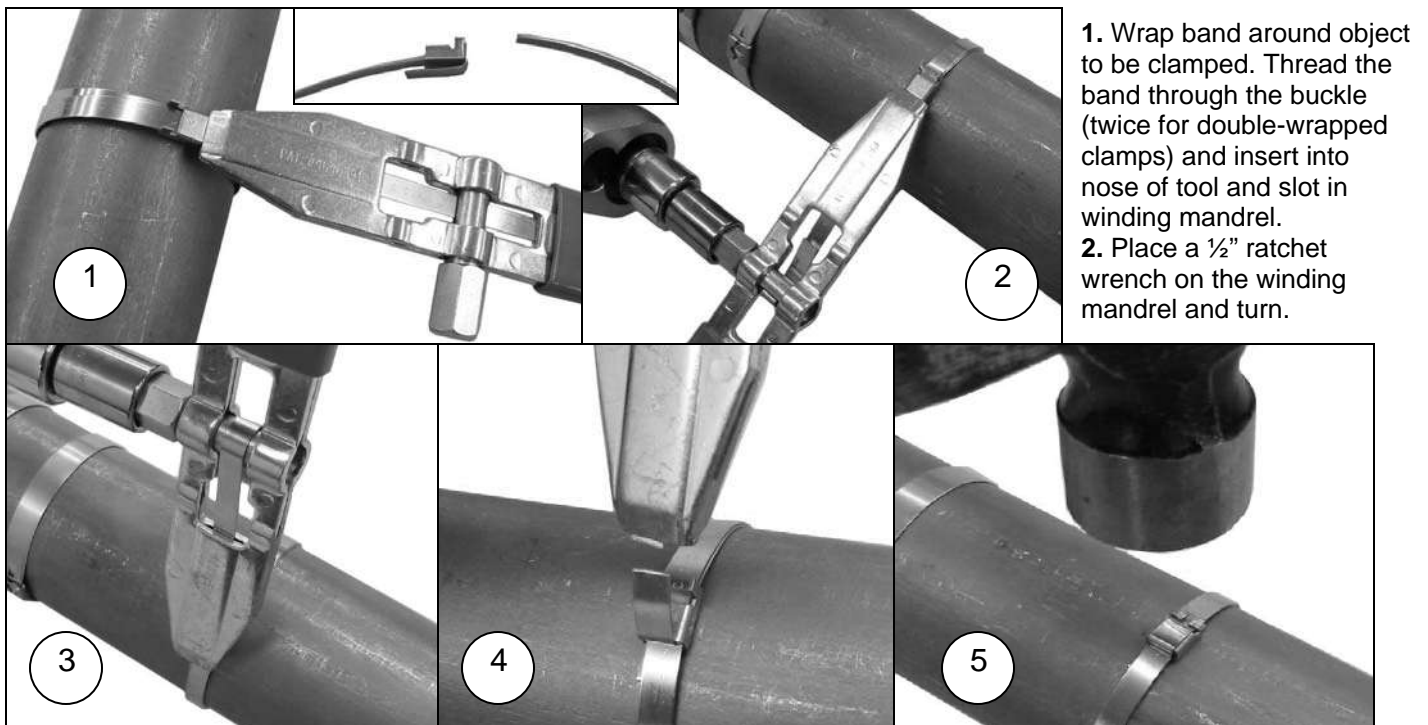
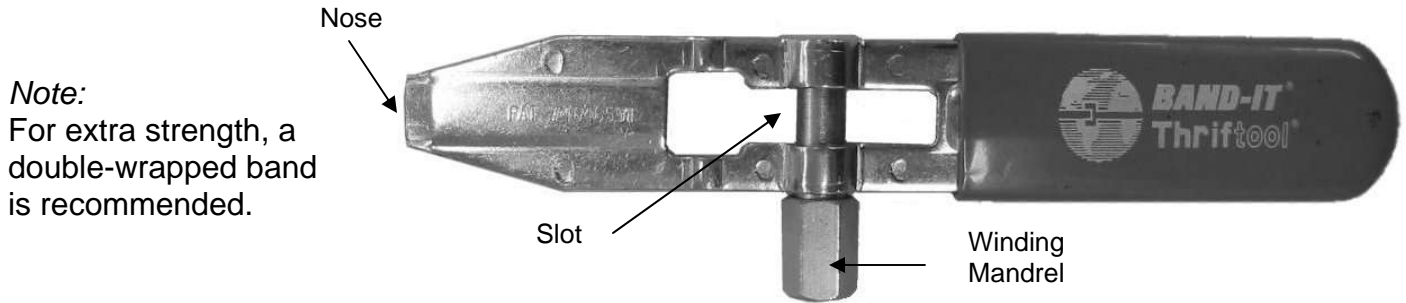


Operating Instructions



J07589/99
Thriftool®

For use with BAND-IT® free-end clamps, roll band and clips, JR. clamps, and SID clamps.

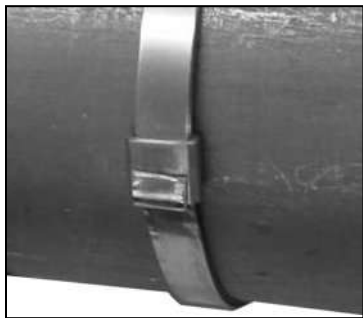


1. Wrap band around object to be clamped. Thread the band through the buckle (twice for double-wrapped clamps) and insert into nose of tool and slot in winding mandrel.
2. Place a ½" ratchet wrench on the winding mandrel and turn.

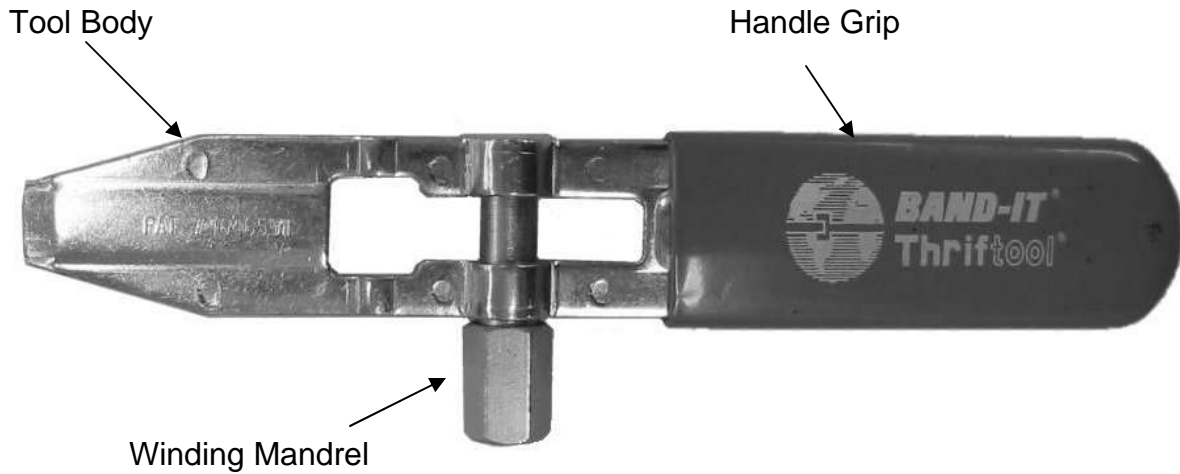
3. When sufficient tension has been applied, rotate the Thriftool® over the buckle.

4. Unwind the band 1 or 2 turns from the winding mandrel and cut, leaving approximately ½" of band

5. To complete clamp, fold down the remaining tail of the clamp back over the buckle and secure it by tapping down the ears.



BAND-IT® JR and SID Clamps:
Follow the same procedure as described above with one exception: Cut off the tail as close to the buckle as possible. Tap down any remaining material.



REPAIR PARTS LIST FOR J075	
PART #	DESCRIPTION
J07287	Winding mandrel, Thrifttool [®]
J07387	Grip, Handle, Thrifttool [®]
J07487	Tool body, Thrifttool [®]

Refer to website for warranty information: <http://www.band-it-idex.com/warranty.html>