

## CSJB-S / HD629

Single phase compact cold shrink joints - size B: from 95 to 400 mm<sup>2</sup> - Up to 36kV - with GPH® bolted connectors.

## DESCRIPTION

### Features & benefits

The **CSJB-S** combines Cold-Shrink and bolted connector technologies for reliable underground MV connections in a small trench (max=1 m), or in specific aerial applications.

#### Cold-Shrink Joint :

- compatible with Synthetic Insulated Cables (XLPE / EPR)
- compatible with: copper wire, copper tape & alu tube cable screens
- EPDM joint body
- UV resistive external EPDM outer protection
- standard screen short-circuit for 1s = 5,1 kA (up to 16 kA on demand)
- equipped with a vapor screen for enhanced watertightness.

#### Bolted Connectors :

- **multisection**, from 50 mm<sup>2</sup> to 400 mm<sup>2</sup>
- compatible with **copper & aluminium cores**.
- equipped with self-breaking screws, for a perfect torque.
- **no specific tool needed !**

### Application

The **CSJB-S** has been designed to connect SIC cables, **with sections from 50mm<sup>2</sup> to 400 mm<sup>2</sup>, whether aluminium or copper cores**, on underground MV lines.

Each core is connected thanks to a GPH® bolted connector.

### Details

Each **CSJB-S** kit is made of:

- **1 EPDM cold shrink body.**
- **1 bolted connector.**
- **specific material according to the type of cable.**

### Installation

This technology requires **no heating source**, no material filling or wrapping. Installation is done by **removal of the tubes**. Joints can be energized once assembly is finished.



### STANDARDS

International HD 629.1 S2

## CHARACTERISTICS

### Dimensional characteristics

Diameter over insulation, range

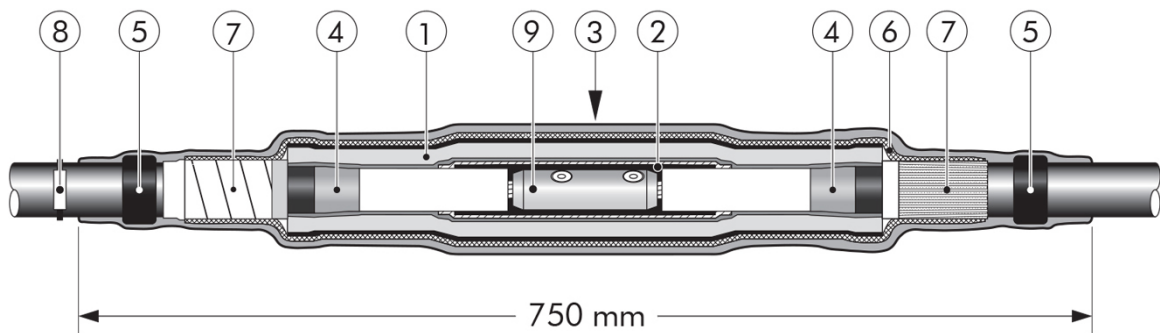
23.0 .. 42.0 mm

## PRODUCT LIST

Nexans ref.	Name	Rated Voltage Uo/U (Um)	Cond. section, range [mm <sup>2</sup> ]
☎ 68010EF	1x24CSJB-S-23.42/52-M185.400-CW45+MT45-5,1kA-VS	12 / 20 (24) kV	185 .. 400
☎ 68012EF	1x36CSJB-S-23.42/52-M95.240-CW45+MT45-5,1kA-VS	18 / 30 (36) kV	95 .. 240
☎ 68013EF	1x36CSJB-S-23.42/52-M120.300-CW45+MT45-5,1kA-VS	18 / 30 (36) kV	120 .. 300

☎ = Make to order, ☒ = In stock

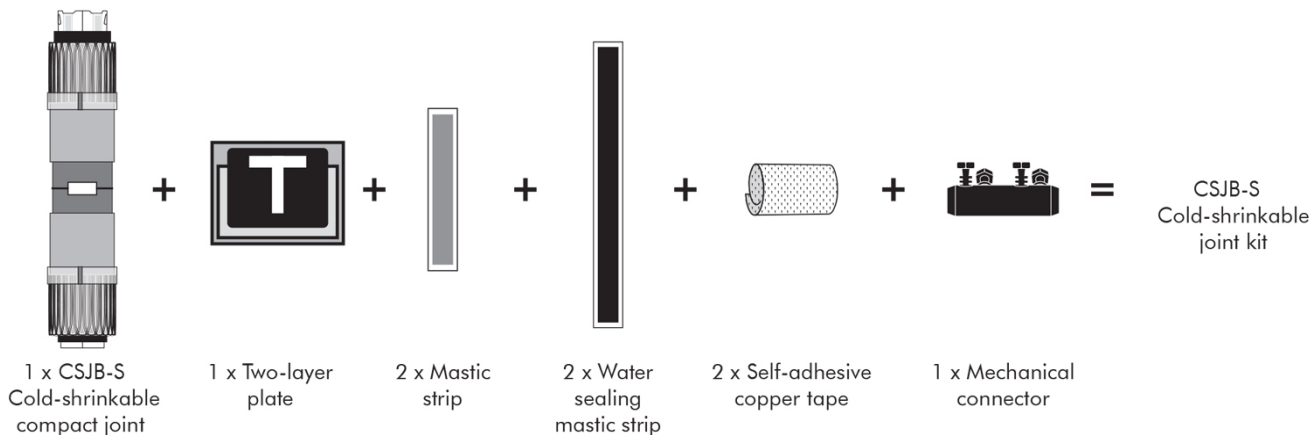
## CSJB-S DETAILS



- |   |                                   |
|---|-----------------------------------|
| ① Extruded triple layer EPDM rubber body.                                 | ⑤ Water sealing mastic.           |
| ② Two layers plate with a semi-conductive and field control mastic layer. | ⑥ Copper stocking.                |
| ③ Overall protective EPDM cover.  | ⑦ Self adhesive copper tape.      |
| ④ Field control mastic.   | ⑧ Traceability tag.               |
|   | ⑨ Mechanical conductor connector. |

## CSJB-S KIT CONTENT

A typical complete cold shrinkable joint kit CSBJ-S contains the following components :



The kit also comprises an installation hook, adhesive tape, lubricant, wipers, gloves, white pencil and installation instructions.

### Ordering instruction

	Table X	Table Y	Table Z						
Ordering part Number	Ø over cable insulation (range - mm)	Ø over outer sheath (mm)	Conductor size (mm <sup>2</sup> )						
			95	120	150	185	240	300	400
VoltCSJB-S-X/Y-Z	23 - 42	52 max	M95.240						
			M120.300						
						M185.400			

ex: The cable is 36kV, 120 mm<sup>2</sup> stranded aluminium with a diameter over core insulation of 25.3 mm. Order a **36CSJB-S-23.42/52-M95.240-CW45+MT45-5,1kA**

- CW45+MT45: Copper Wire & Metallic tape screens kit
- 5,1kA: internal screen connection short-circuit level (5,1 kA for 1 second)

### Other options

For use with copper wire screened cables. No earthing device is necessary.	For use with copper tape screened cables.	For use with fabric tape (graphite) screened cables. Order additional semi-conductive tape -SCJ	For use with French NF C 33-226 cables. Order: -AT45	In case of outer sheath with conductive layer. Order additional semi-conductive tape -SCJ

Mechanical impact resistance & Termite resistance also available on demand

All drawings, designs, specifications, plans and particulars of weights, size and dimensions contained in the technical or commercial documentation of Nexans is indicative only and shall not be binding on Nexans or be treated as constituting a representation on the part of Nexans.