



A DESCO CORPORATION COMPANY, SINCE 2011

The Industry Source for High-Quality Electronic Products & Assemblies

Over 100 years in business, and quality is still #1. Mueller products are manufactured to our own, higher standards, creating products that are rugged, durable, and provide an excellent value.

MuellerElectric.com
T: 800-955-2629
T: 216-771-5225
F: 216-771-3068
sales@muellerelectric.com

OVER 300 VARIETIES STOCKED

- ALLIGATOR CLIPS
- CROCODILE CLIPS
- PLIER CLIPS
- SPECIALTY CLIPS

ACCESSORIES

- PLUGS
- JACKS
- CONNECTORS
- ADAPTERS
- PROBES
- PLUNGERS
- GRABBERS

STANDARD & CUSTOM

- TEST LEADS
- PATCH CORDS
- INSULATED TEST ACCESSORIES

OEM / REPLACEMENTS

- CUSTOM CABLE ASSEMBLIES
- METER PROBES
- METER ADAPTERS
- METER TEST LEADS
- CUSTOM ENGINEERED PRODUCTS

SERVICES

- MOLDING
- CONTRACT MANUFACTURING
- CUSTOM PACKAGING
- PRODUCT DESIGN





Standard Components & Custom Solutions

Test Leads



Mueller provides direct replacements and spares for virtually all general meter applications. Mueller test leads fit all of the major manufacturers, including: Fluke®, Amprobe®, Keithley®, Tektronix®, Simpson®, and HP®. Mueller's replacement test leads are guaranteed to be interchangeable and

compatible with your meter, backed by our customer satisfaction policy. To determine your OEM-to-Mueller crossover part number, go to www.MuellerElectric.com and use the search tool, or contact our Customer Service Department.

Test Accessories



Mueller carries a large, quick-ship inventory of parts and standard assemblies to mix-and-match for your needs. Popular items include banana plugs, plungers, probes, grabbers, jacks, adapters, connectors, binding posts and

many more. Insulated and non-insulated versions are offered. Most items ship directly from inventory within 24 hours of order receipt. If your item is non-standard, please contact us to discuss your custom needs. If we aren't able to supply an item, we'll help you locate a source elsewhere. As with all Mueller products, these parts are rugged, durable, reliable, and designed for daily use.

Mueller Advantage: UL® Listings



Mueller is the only major test & measurement manufacturer to offer a full line of both UL® listed and CE approved test & measurement products. Our test leads, banana jacks, probes, plungers and alligator clips are tested for safety and compliance to UL® standards. If you have an application in which electrical safety is of high concern, choose Mueller.

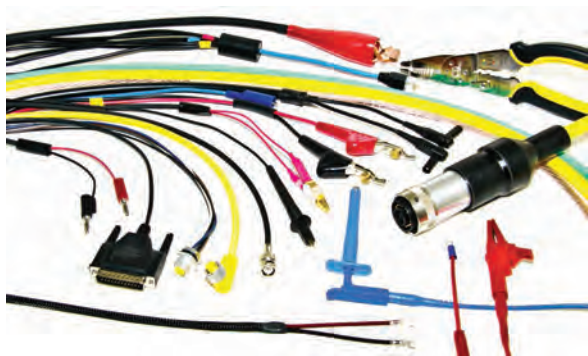
Packaged Products & Kits



Are you in need of special packaging or logistical assistance? Mueller offers a variety of turnkey packaging solutions and product strategies to help simplify your business. Both standard and custom package designs are available. Mueller's services can be as comprehensive or cost-effective as you choose. We offer full pack-

age design, including printing and converting...or as simple as a corrugated box with a text and barcode label. Other service options include product kitting, poly bagging & heat seal, custom printed hanger cards with blister pack, retail packaging, point of sale displays, private labeling, and drop-shipping under your company's name. Please contact us to discuss your packaging and logistical needs.

Custom Cable Assemblies



Mueller specializes in cable assemblies that are built to exact customer specifications. Short- and medium-production run quantities are welcome. These assemblies may incorporate standard or non-standard components, and can be built to designated industry standards such as UL® and CSA. In-house engineering, molding, and production capabilities keep your project in plain view. Typical applications are for the industrial automation, test & measurement, medical, aerospace, defense, telecom and automotive markets. Please contact our Sales Department to discuss your custom assembly needs. Ask about our sample assembly and prototype program.

Custom Cable Assemblies

Mueller specializes in cable assemblies that are built to exact customer specifications. Short- and medium-production run quantities are welcome. These assemblies may incorporate standard or non-standard components, and can be built to designated industry standards such as UL© and CSA. In-house engineering, molding, and production capabilities keep your project in plain view. Typical applications are for the industrial automation, test & measurement, medical, aerospace, defense, telecom and automotive markets. Please contact our Sales Department to discuss your custom assembly needs. Ask about our sample assembly and prototype program.



BNC / Coaxial Applications



BU-P2249-C-**
(Various Lengths Available)
BNC Male on Both Ends



BU-5114-A-4-0
BNC Male Breakout to
Mini-Micro-Grabbers



BU-5330-F-**-0
(*Various Lengths Available)
Insulated Alligator Clips to
Male BNC with RG174



BU-5070-B-**-0
(Various Lengths Available)
Male BNC to Stackable
Double Banana Plug

- Grounding and Bonding Cables
- OEM Custom Connector Applications
- Automotive, Transportation
- Medical
- Test and Measurement
- Overmolding, Potting, Encapsulation
- Industrial Automation
- Military
- Telecom, Data Communications
- RF Applications

Custom Cables from Various Industries and Applications





CLIPS & INSULATORS

Mueller clips are the industry standard. Our design reflects 100+ years of innovation and improvement. Mueller clips assure teeth that bite, springs that hold, plating that lasts and insulators that protect.

CLIPS & INSULATORS

Model # BU-30/BU-30C/BU-30X

Miniature Alligator

Solder or crimp connection.

Jaw opens 0.188" (4.8 mm) max

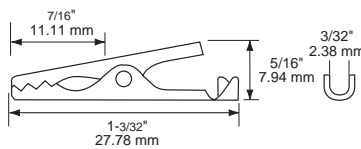
Material: nickel-plated steel (BU-30) or solid copper (BU-30C) or 304SS (BU-30X)

Length: 1.1" (27.78mm)

Federal Spec: CID AA59466-001 (BU-30C)

Rating: 5 Amps

Uses insulator BU-32-*



Model # BU-30TBO

Miniature Alligator with Threaded Barrel

6-32 threaded steel barrel connection

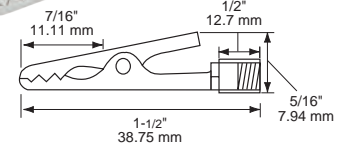
Jaw opens 0.188" (4.8 mm) max

Material: nickel-plated steel

Length: 1.5" (38.75mm)

Rating: 5 Amps

Uses insulator BU-31-*



Model # BU-32-*

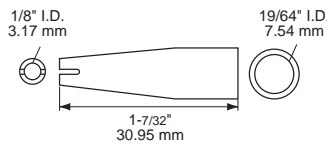
Insulator for Miniature Alligator

Protective flexible vinyl insulator for 30, 30C, 30X

Material: PVC

Length: 1.63" (41.28mm)

***Std. Colors:**
 -0 Black,
 -2 Red,
 -4 Yellow,
 -5 Green,
 -6 Blue,
 -9 White



Model # BU-31-*

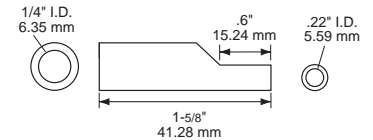
Insulator for Mini Alligator Barrel/Threaded Barrel

Protective flexible vinyl insulator for 30BL, 30TBO

Material: PVC

Length: 1.63" (41.28mm)

***Std. Colors:**
 -0 Black,
 -2 Red,
 -4 Yellow,
 -5 Green,
 -6 Blue,
 -9 White



Model # BU-30BL

Miniature Alligator with Barrel

Solder or crimp connection

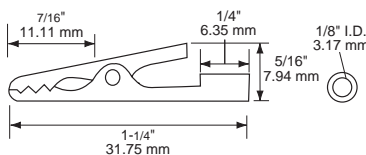
Jaw opens 0.188" (4.8 mm) max

Material: nickel-plated steel

Length: 1.25" (31.75mm)

Rating: 5 Amps

Uses insulator BU-31-*



Model # BU-34/BU-34C/BU-34X

Micro-Alligator

Solder or crimp connection

Jaw opens 0.22" (5.6 mm) max

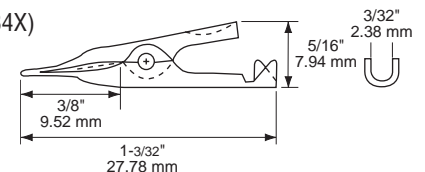
Nose width .07" (1.7 mm)

Material: nickel-plated steel (BU-34) or solid copper (BU-34C) or 304SS (BU-34X)

Length: 1.09" (27.78mm)

Rating: 5 Amps

Uses insulator BU-36-*



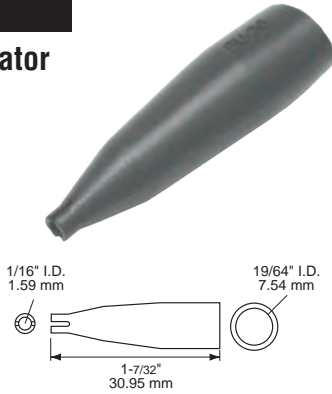


Model # BU-36-*

Insulator for Micro Alligator

Protective flexible vinyl insulator for 34, 34C, 34X

- Material:** PVC
- Length:** 1.22" (30.95mm)
- *Std.** -0 Black,
- Colors:** -2 Red,
-4 Yellow,
-5 Green,
-6 Blue,
-9 White



Model # BU-60PR2

Probe Tip Alligator Clip

Accepts standard .080" (2mm) probe tip or test probe tip

Jaw opens 0.31" (7.9 mm) max

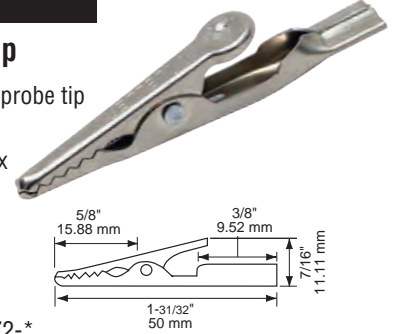
Material: nickel-plated steel

Length: 1.97" (50mm)

Rating: 10 Amps

Use insulator BU-62-* or BU-72-*

Also available is Model #BU-60PR1 which accepts a .125" (3.1mm) Probe



Model # BU-60/BU-60C/BU-60X

Alligator Clip with Barrel

Compatible with all shrouded, unshrouded, or retractable 0.16" (4mm) banana plugs

Solder or crimp connection

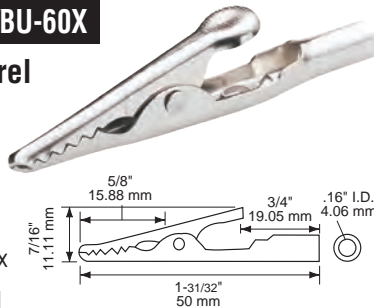
Jaw opens 0.31" (7.9 mm) max

Material: nickel-plated steel (BU-60), solid copper (BU-60C), 304 stainless steel (BU-60X)

Length: 1.97" (50mm)

Rating: 10 Amps

Uses insulator BU-62-* or BU-72-*



Model # BU-60TBO

Threaded Barrel Alligator Clip

8-32 threaded barrel connection

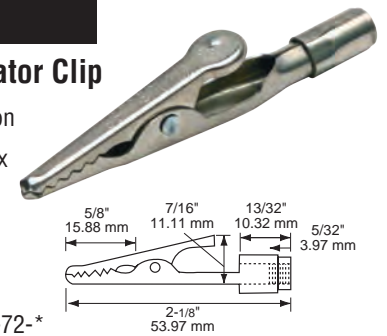
Jaw opens 0.31" (7.9 mm) max

Material: nickel-plated steel

Length: 2.13" (53.97mm)

Rating: 10 Amps

Uses insulator BU-62-* or BU-72-*



Model # BU-60S/BU-60CS*

Alligator Clip with Screw

Compatible with all shrouded, unshrouded, or retractable 0.16" (4mm) banana plugs

6-40 screw connection

Jaw opens 0.31" (7.9 mm) max

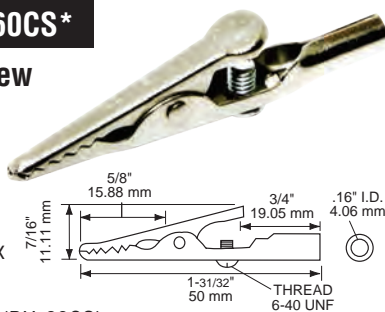
Material: nickel-plated steel (BU-60S) or solid copper (BU-60CS)

Length: 1.97" (50mm)

Federal Spec: CID AA59466-002 (BU-60CS)

Rating: 10 Amps

Uses insulator BU-62-* or BU-72-*



Model # BU-60U

Alligator Clip

Solder or crimp connection

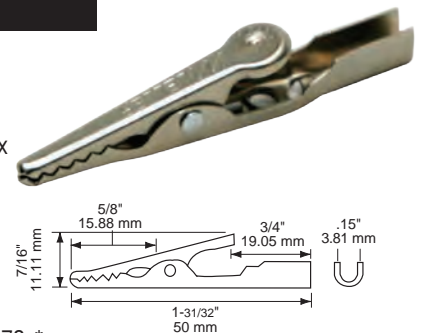
Jaw opens 0.31" (7.9 mm) max

Material: nickel-plated steel

Length: 1.97" (50mm)

Rating: 10 Amps

Uses insulator BU-62-* or BU-72-*



CLIPS & INSULATORS

CLIPS & INSULATORS

Model # BU-61

Alligator Clip with Cage Spring Barrel

Cage spring connection accepts standard probe needle (0.080 dia.)

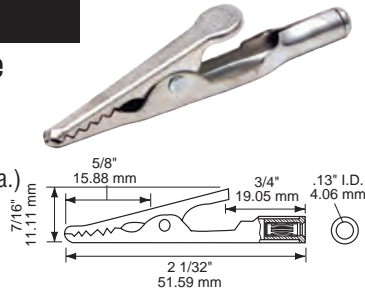
Jaw opens 0.31" (7.9 mm) max

Material: nickel-plated steel clip, nickel-plated brass insert, gold plated beryllium copper cage spring

Length: 2.03" (51.59mm)

Rating: 10 Amps

Uses insulator BU-62-* or BU-72-*



Color Key

0	Black	2	Red	4	Yellow
5	Green	6	Blue	9	White

Model # BU-60HS-*/BU-60CHS-*

Alligator Clip with Acetate Handle and Screw

Compatible with all unshrouded, or retractable 0.16" (4mm) banana plugs

Jaw opens 0.31" (7.9 mm) max

Material: (BU-60HS-*) nickel-plated steel or (BU-60CHS-*) solid copper clip

Length: 2.34" (59.53mm)

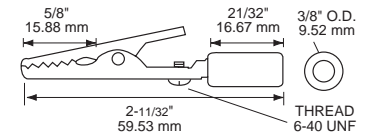
***Std.** -0 Black, -2 Red,

Colors: -4 Yellow, -5 Green, -6 Blue, -9 White

Federal AA59466-003 (red), (BU-6CHS-2)

Spec: AA59466-016 (black), (BU-60CHS-0)

Rating: 10 Amps



Model # BU-62-*

Insulator for Alligator Clips

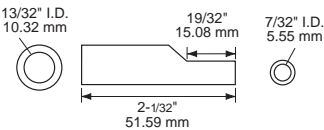
Protective flexible vinyl insulator for 60, 60C, 60CS, 60PR2, 60S, 60TBO, 60U, 60X and 61

Material: PVC

Length: 2.03" (51.59mm)

***Std.** -0 Black,

Colors: -2 Red, -4 Yellow, -5 Green, -6 Blue, -9 White



Model # BU-60HPR-*

Probe Tip Alligator Clip with Acetate Handle

Accepts standard probe tip or test probe tip

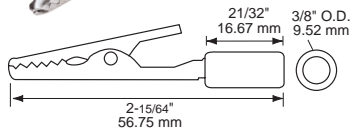
Material: nickel-plated steel clip

Length: 2.23" (56.75mm)

***Std.** -0 Black, -2 Red,

Colors: -4 Yellow, -5 Green, -6 Blue, -9 White

Rating: 10 Amps



Model # BU-60H-*

Alligator Clip with Acetate Handle

Compatible with all unshrouded, or retractable 0.16" (4mm) banana plugs

Jaw opens 0.31" (7.9 mm) max

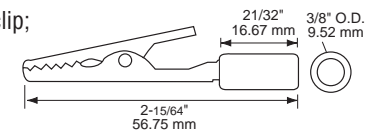
Material: nickel-plated steel clip;

Length: 2.23" (56.75mm)

***Std.** -0 Black,

Colors: -2 Red, -4 Yellow, -5 Green, -6 Blue, -9 White

Rating: 10 Amps



Model # BU-63-*/BU-63C-*

Insulated Alligator Clip

BU-63-* same as BU-60S and includes a skin-tight, two-piece, flexible insulator

BU-63C-* same as BU-60CS and includes a skin-tight, two piece, flexible insulator

Compatible with all shrouded, unshrouded, or retractable 0.16" (4mm) banana plugs

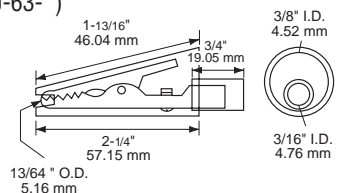
Material: nickel-plated steel (BU-63-*) or solid copper (BU-63C-*)

Length: 2.25" (57.15mm)

***Std.** -0 Black, -2 Red,

Colors: -4 Yellow, -5 Green, -6 Blue, -9 White

Rating: 10 Amps





Model # BU-P2240-*

Alligator Clip & Insulator, (10 Pack)

Ten Each of BU-60 Alligator Clips and BU-62-* Insulators in a convenient bag

*Std. Colors: -0 Black, -2 Red,



Model # BU-70/BU-70C

Alligator Clip

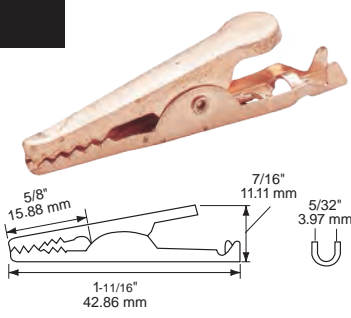
Solder or crimp connection
Jaw opens 0.313" (7.9 mm) max

Material: nickel-plated steel (BU-70) or (BU-70C) solid copper

Length: 1.69" (42.86mm)

Rating: 5 Amps (BU-70) or 10 Amps (BU-70C)

Uses insulator BU-72-*



Model # BU-85/BU-85C

Crocodile Clip

Crimp or screw connection
Jaw opens 0.313" (7.9 mm) max
Nesting teeth provide solid contact along entire length of jaw

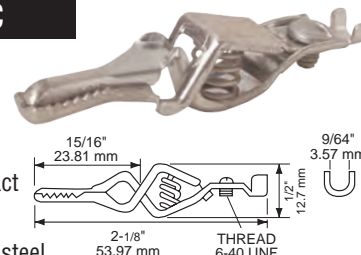
Material: (BU-85) zinc-plated steel or (BU-85C) solid copper

Length: 2.125" (53.97mm)

Federal Spec: AA59466-005 (BU-85C)

Rating: 5 Amps (BU-85) or 10 Amps (BU-85C)

Uses insulator BU-87-*



Model # BU-70S/BU-70CS

Alligator Clip with Screw

6-40 screw or crimp connection
Jaw opens 0.313" (7.9 mm) max

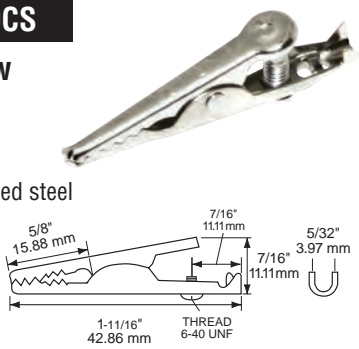
Material: (BU-70S) nickel-plated steel or (BU-70CS) solid copper

Length: 1.69" (42.86mm)

Federal Spec: AA59466-0017 (BU-70CS)

Rating: 5 Amps (BU-70S) or 10 Amps (BU-70CS)

Uses insulator BU-72-*



Model # BU-87-*

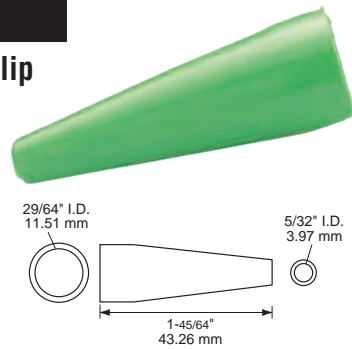
Insulator for Crocodile Clip

Protective flexible vinyl insulator for 85, 85C

Material: PVC

Length: 1.7" (43.26mm)

*Std. -0 Black,
Colors: -2 Red, -4 Yellow,
-5 Green, -6 Blue,
-9 White



Model # BU-72-*

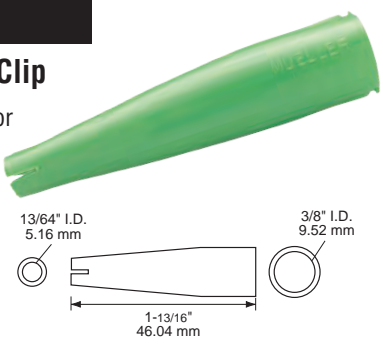
Insulator for Alligator Clip

Protective flexible vinyl insulator for 70, 70C, 70CS, 70S, 60, 60C, 60S, 60CS, 60X

Material: PVC

Length: 1.81" (46.04mm)

*Std. -0 Black,
Colors: -2 Red, -4 Yellow,
-5 Green, -6 Blue,
-9 White



Model # BU-651-*

Small Safety Alligator Clip

Compatible with all unshrouded, or retractable 0.16" (4mm) banana plugs
Jaw opens 0.27" (7 mm) max

Material: nickel-plated steel clip, glass-filled nylon housing

Length: 2.24" (57mm)

*Std. -0 Black,
Colors: -2 Red

Rating: 300 V Category II or 150 Category III
10 Amps, IEC 1010 Compliant



CLIPS & INSULATORS

Model # BU-652-*

Small Safety Alligator Clip with Extended Banana Jack

Compatible with all shrouded, unshrouded, or retractable 0.16" (4mm) banana plugs

Jaw opens 0.27" (7 mm) max

Material: nickel-plated steel clip, glass-filled nylon housing

Length: 3.24" (82mm)

***Std. Colors** -0 Black, -2 Red

Rating: 300 V Category II, or 150 V Category III, 20 Amps, IEC 1010 Compliant



Model # BU-65-*

Large Safety Alligator Clip

Compatible with all shrouded, unshrouded, or retractable 0.16" (4mm) banana plugs

Jaw opens 0.75" (19 mm) max

Material: nickel-plated steel clip, glass-filled nylon housing

Length: 3.23" (82.04mm)

***Std.** -0 Black,

Colors: -2 Red, -4 Yellow, -5 Green, -6 Blue, -9 White

Rating: 1000 V, 30 Amps, IEC 1010 Compliant
UL Listed



Model # BU-109-*

Mini-Insulated Alligator Clip with Probe Tip Connection

Can be mounted to any standard .080" Probe tip or 2mm banana plugs

Material: nickel plated steel clip with nylon housing

Length: 1.6" (41mm),

***Std Colors:** -0 Black, -2 Red

Ratings: Hands free testing to 600V, 10 Amps



Color Key

0	Black	2	Red	4	Yellow
5	Green	6	Blue	9	White

Model # BU-110-*

Fully Insulated Mini Clip

Compatible with all shrouded, unshrouded, or retractable .016" (4mm) banana plugs. Jaw opens 0.31" (7.9mm)

Material: Nickel plated steel & nylon

Length: 1.65" (42mm)

***Std. Colors:** -0 Black, -2 Red

Rating: 300V, 6 Amps



Model # BU-45/BU-45C

Pee-Wee Clip

Screw or crimp connection

Jaw opens 0.31" (7.9 mm) max

Material: (BU-45) zinc-plated steel or (BU-45C) solid copper

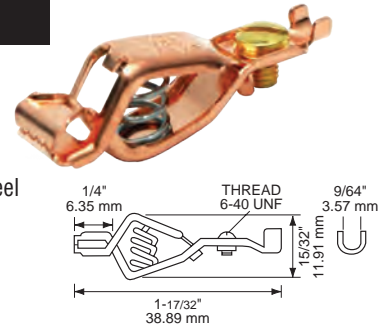
Length: 1.53" (38.89mm)

Federal CID AA59466-006

Spec: (BU-45C)

Rating: 5 Amps (BU-45) or 10 Amps (BU-45C)

Uses insulator BU-47-*



Model # BU-47-*

Insulator for Pee-Wee Clip

Protective flexible vinyl insulator for 45, 45C

Material: PVC

Length: 2.02" (51.2 mm)

***Std.** -0 Black,

Colors: -2 Red, -4 Yellow, -5 Green, -6 Blue, -9 White



Model # BU-55

Economy Clip

Screw or crimp connection

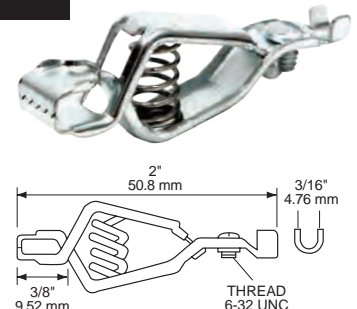
Jaw opens 0.44" (11.1 mm) max

Material: zinc-plated steel

Length: 2" (50.8mm)

Rating: 10 Amps

Uses insulator BU-49-*





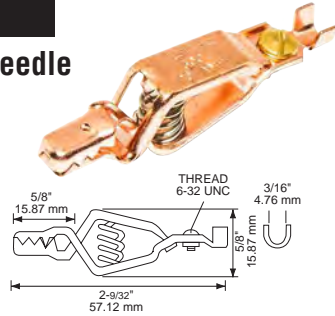
Model # BU-50C

Meter Testing Clip with Needle

Has a solid beryllium copper piercing needle in the top jaw.
Jaw opens .5" (12.5mm)

Excellent for quick connection to insulated wire.

- Material:** Solid Copper
- Length:** 2.28" (57.12mm)
- Rating:** 20 Amps
- Uses insulator BU-49-*

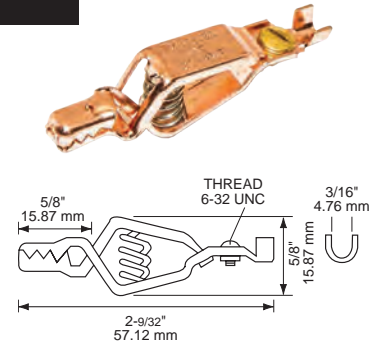


Model # BU-51C

Meter Testing Clip

Same as BU-50C except without insulation piercing needle
Jaw opens 0.5" (12.7 mm) max

- Material:** Solid copper
- Length:** 2.28" (57.12mm)
- Rating:** 20 Amps
- Uses insulator BU-49-*

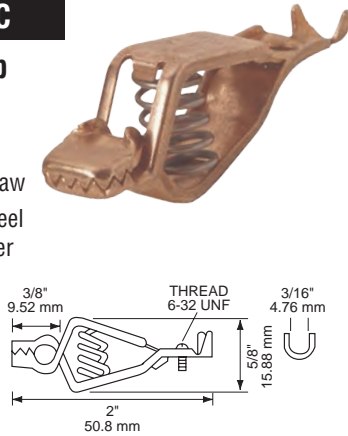


Model # BU-48B/BU-48C

Automotive Analyzer Clip

Screw or crimp connection
Jaw opens 0.5" (12.7 mm) max
Teeth mesh on three sides of the jaw

- Material:** (BU-48B) zinc-plated steel or (BU-48C) solid copper
- Length:** 2" (50.8mm)
- Federal Spec:** CID AA59466-007 (BU-48C)
- Rating:** 10 Amps (BU-48B) or 20 Amps (BU-48C)
- Uses insulator BU-49-*

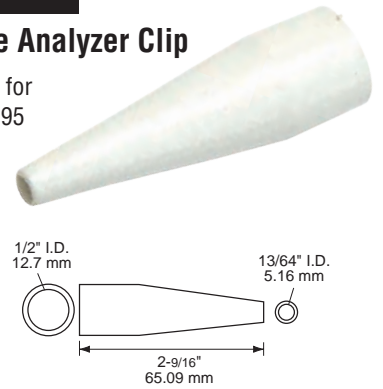


Model # BU-49-*

Insulator for Automotive Analyzer Clip

Protective flexible vinyl insulator for 48B, 48B2E, 48C, 50C, 51C, 55, 95

- Material:** PVC
- Length:** 2.56" (65.09mm)
- *Std.** -0 Black,
- Colors:** -2 Red,
- 4 Yellow,
- 5 Green,
- 6 Blue,
- 9 White

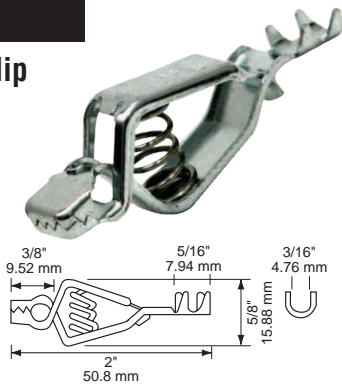


Model # BU-48B2E

Automotive Analyzer Clip

Double crimp connection
Jaw opens 0.5" (12.7 mm) max

- Material:** zinc-plated steel
- Length:** 2" (50.8mm)
- Rating:** 10 Amps
- Uses insulator BU-49-*

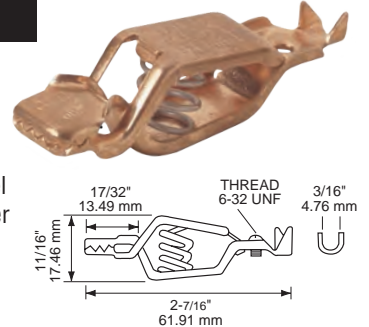


Model # BU-27/BU-27C

General Purpose Clip

Crimp or screw connection;
Jaw opens 0.625" (16 mm) max

- Material:** (BU-27) zinc-plated steel or (BU-27C) solid copper
- Length:** 2.44" (61.9mm)
- Federal Spec:** CID AA59466-008 (BU-27C)
- Rating:** 20 Amps (BU-27) or 40 Amps (BU-27C)
- Uses insulator BU-29-* or BU-90-*



CLIPS & INSULATORS

Color Key

0	Black	2	Red	4	Yellow
5	Green	6	Blue	9	White

Model # BU-27CG/BU-27CGW

Geophone Clip

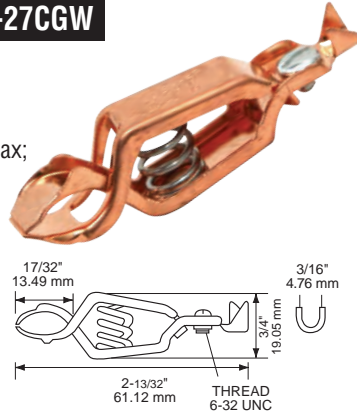
Crimp or screw connection;
Jaw opens 0.625" (16 mm) max;
Curved jaws clip on to
seismograph rings

Material: solid copper;
Spring: steel

Length: 2.4" (61.1mm)

Rating: 40 Amps

Uses insulator BU-29-*
or BU-90-*



Model # BU-24APN/BU-24APS

Heavy Duty Clip

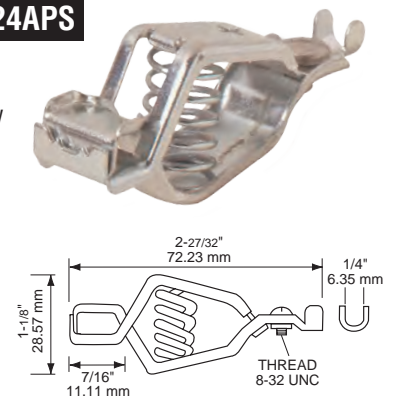
Crimp or screw connection; Jaw
opens 0.75" (19 mm) max; clip
unmarked (BU-24PN) and
marked positive (BU-24APS)

Material: zinc-plated steel;
Spring: steel

Length: 2.84" (72.23mm)

Rating: 25 Amps

Uses insulator BU-26-*



Model # BU-29-*

Insulator for General Purpose/Geophone Clips

Protective flexible vinyl insulator for
27, 27C, 27CG, 27CGW

Material: PVC

Length: 3.5" (88.9mm)

***Std.** -0 Black,

Colors: -2 Red,
-4 Yellow, -5 Green,
-6 Blue, -9 White



Model # BU-25/BU-25C

Automotive Clip

Crimp or screw connection; Jaw
opens 0.75" (19 mm) max; teeth
mesh on three sides of the jaw

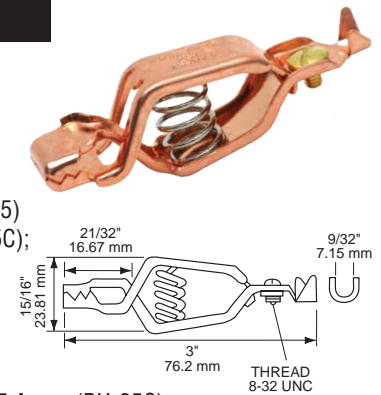
Material: zinc-plated steel (BU-25)
or solid copper (BU-25C);
Spring: steel

Length: 3" (72.6mm)

Federal Spec: CID AA59466-009
(BU-25C)

Rating: 40 Amps (BU-25) or 75 Amps (BU-25C)

Uses insulator BU-26-*



Model # BU-90-*

Insulator for General Purpose/Geophone Clips

Protective flexible vinyl insulator for
27, 27C, 27CG and 27CGW

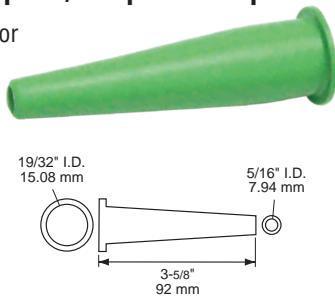
Accepts larger wires or cables
than BU-29-*

Material: PVC

Length: 3.375" (92mm)

***Std.** -0 Black,

Colors: -2 Red,
-4 Yellow, -5 Green,
-6 Blue, -9 White



Model # BU-26-*

Insulator for Automotive Clip

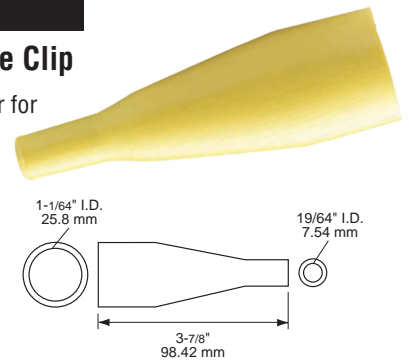
Protective flexible vinyl insulator for
24A, 25, 25C

Material: PVC

Length: 3.88" (98.4 mm)

***Std.** -0 Black,

Colors: -2 Red,
-4 Yellow,
-5 Green,
-6 Blue, -9 White





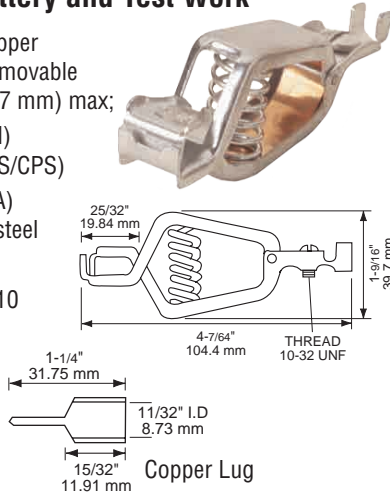
Model # BU-21APN/BU-21APS/BU-21CPN/BU-21CPS

Heavy Duty Clip for Battery and Test Work

Crimp or screw connection; copper version (21C) equipped with removable copper lug; Jaw opens 1.06" (27 mm) max; clip unmarked (BU-21APN/CPN) and marked positive (BU-21APS/CPS)

Material: zinc-plated steel (21A) or solid copper (21C); Spring: steel
Length: 4.11" (104.4mm)
Federal Spec: CID AA59466-010 (BU-21CPN)

Rating: 50 Amps (21A) or 100 Amps (21C)
 Uses insulator BU-23-*



Model # BU-13-*

Insulator for Heavy Duty Clip

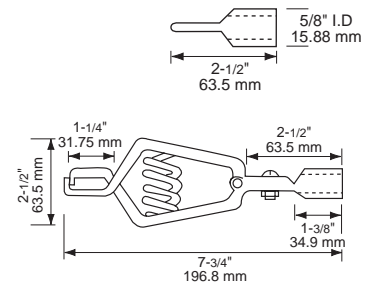
Protective flexible vinyl insulator for 11A, 11C
Material: PVC
Length: 6.8" (173mm)
***Std.** -0 Black, -2 Red,
Colors: -4 Yellow, -5 Green, -6 Blue, -9 White



Model # BU-33C

Welding Clip "BIG BRUTE"

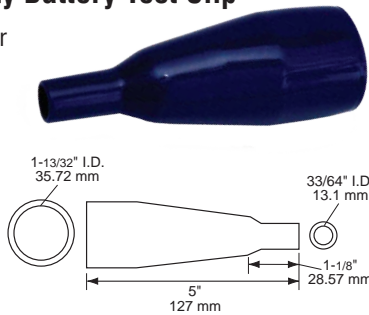
Lug connection
 Jaw opens 1.81" (46 mm) max
Material: solid copper
Length: 7.75" (196.8mm)
Federal Spec: CID AA59466-012
Rating: 300 Amps
 Uses insulator BU-35-*



Model # BU-23-*

Insulator for Heavy Duty Battery Test Clip

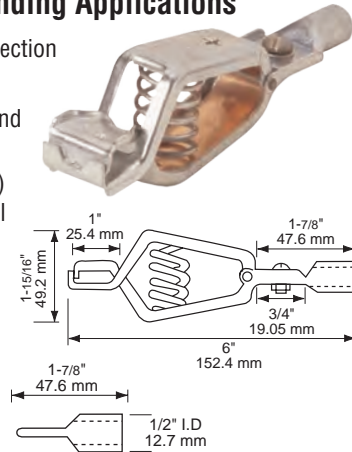
Protective flexible vinyl insulator for 21A, 21C
Material: PVC
Length: 5" (127mm)
***Std.** -0 Black,
Colors: -2 Red, -4 Yellow, -5 Green, -6 Blue, -9 White



Model # BU-11APN/BU-11APS/BU-11CPN/BU-11CPS

Heavy Duty Clip for Grounding Applications

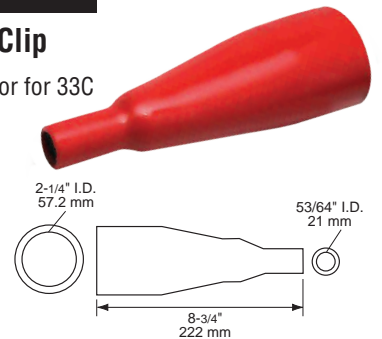
BU-11 series clips have a lug connection
 Jaw opens 1.625" (41.3 mm) max
 Clip unmarked (BU-11APN/CPN) and marked positive (BU-11APS/CPS)
Material: zinc-plated steel (11A) or solid copper (11C); Spring: steel
Length: 6" (152.4 mm)
Federal Spec: CID AA59466-011 (BU-11CPN)
Rating: 100 Amps (11A) or 200 Amps (11C)
 Uses insulator BU-13-*



Model # BU-35-*

Insulator for Welding Clip

Protective flexible vinyl insulator for 33C
Material: PVC
Length: 8.75" (222mm)
***Std.** -0 Black,
Colors: -2 Red,



CLIPS & INSULATORS

Color Key

0	Black	2	Red	4	Yellow
5	Green	6	Blue	9	White

Model # BU-58

Grounding Clamp

Attaches to pipe up to 1 3/8" outer diameter

Material: zinc-plated steel
Length: 2.31" (58.75mm)
Rating: 50 Amps



Model # BU-46PR-*

Insulator for Miniature Plier-Type Clip

Protective flexible vinyl insulator for BU-46

Material: PVC
Length: 1.7" (43.18mm)
***Std.** -0 Black,
Colors: -2 Red,



Model # BU-40A-*/BU-40C-*

Micro Plier-Type Clip

Solder or crimp connection
 Jaw opens 0.75" (19 mm) max

Material: (BU-40A) nickel-plated steel or (BU-40C) solid copper
Length: 2.3" (58mm)
***Std.** -0 Black,
Colors: -2 Red,
Rating: 15 Amps (BU-40A), 20 Amps (BU-40C)

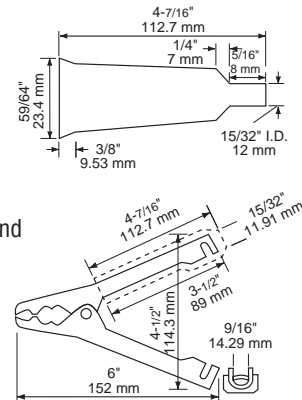
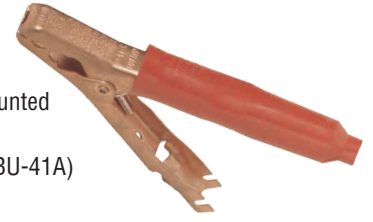


Model # BU-41A-*/BU-41APN/BU-41C-*/BU-41CPN

Plier-Type Clip

Jaw opens 1.625" (41.3 mm) max
 Locks on to both side and top mounted battery terminals

Material: copper-plated steel (BU-41A) or solid copper (BU-41C), PVC insulator (BU-43PR-*)
Length: 6" (152mm)
***Std.** Insulator (BU-43PR-*)
Colors: in -0 Black, -2 Red, -4 Yellow, -5 Green, -6 Blue, -9 White
Federal Spec: CID AA59466-014 BU-41-CPS-VZZZ-2 (red) and CID AA59466-015, BU-41CPN-VZZZ-0 (black)
Rating: 200 Amps (41A) or 400 Amps (41C)



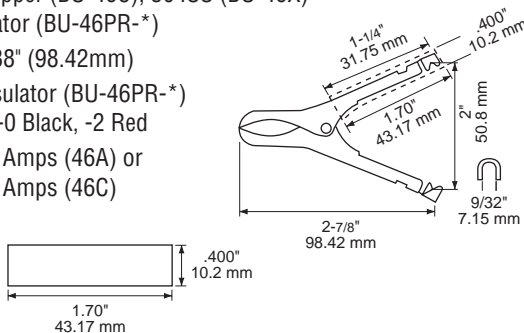
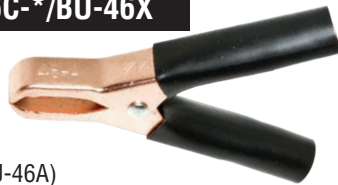
Model # BU-46A-*/BU-46C-*/BU-46X

Miniature Plier-Type Clip

Solder or crimp connection
 Jaw opens 1.125" (28.6 mm) max

Material: copper-plated steel (BU-46A) or solid copper (BU-46C), 304SS (BU-46X) PVC insulator (BU-46PR-*)

Length: 2.88" (98.42mm)
***Std.** Insulator (BU-46PR-*)
Colors: in -0 Black, -2 Red
Rating: 50 Amps (46A) or 75 Amps (46C)

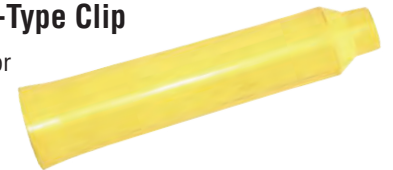


Model # BU-43PR-*

Insulator Pair for Plier-Type Clip

Protective flexible vinyl insulator for BU-41

Material: PVC
Length: 4.4" (112.73mm)
***Std.** -0 Black,
Colors: -2 Red, -4 Yellow, -5 Green, -6 Blue, -9 White





Model # BU-112-*

Insulated Battery Clip

Has integral .025" x .032" male quick connect terminal

Material: Jaws are 304 SS, with nylon housing

Length: 3.15" (80mm)

***Std Colors:** -0 Black, -2 Red

Ratings: Hands free testing to 600V, 30 Amps



Model # BU-108K

Insulated Kelvin Battery Clip

Jaws are curved for easy battery connection

Material: Brass jaws with nylon housing

Length: 4.1" (104mm)

***Std Colors:** -0 Black, -2 Red

Ratings: 50 Amps



Model # BU-102B-*/BU-102BK-*

Insulated Battery Clip

Solder lug connection. Fully insulated clip with serrated jaws; BU-102BK-* has Kelvinized isolated jaws and no copper shunt

Material: Housing: glass filled nylon; Jaw: copper; Spring: music wire, zinc plated

Length: 6.5" (165mm)

***Std.** -0 Black,

Colors: -2 Red

Rating: 300 Amps



Model # BU-75K

Kelvin Clip

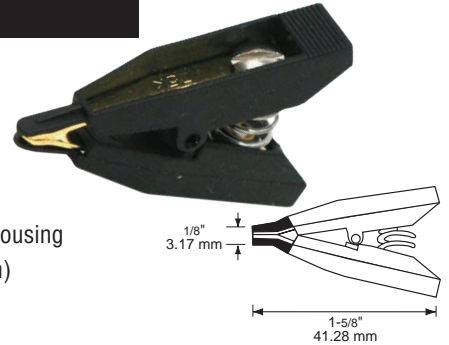
Screw connection. Jaw opens 0.313" (7.9 mm) max.

Isolated jaws

Material: Silver/Gold tip contacts, nylon housing

Length: 1.625" (41.28mm)

Rating: 10 Amps



Model # BU-78K

Kelvin Clip

Solder connection. Jaw opens 0.5" (12 mm) max

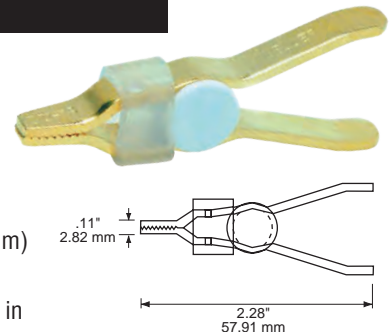
Isolated jaws

Material: Gold contacts

Length: 2.28" (57.91mm)

Rating: 10 Amps

Wires run through channel in thimbal and solder into holes under the silicone spring.



Model # BU-102W-*

Insulated Welding Clip

Solder lug connection. Fully insulated clip with serrated contact pad and braided copper shunt

Material: Housing: glass filled nylon; Jaw: copper; Spring: music wire, zinc plated

Length: 6.5" (165mm)

***Std.** -0 Black,

Colors: -2 Red

Rating: 400 Amps



Model # BU-X15400-*

Epoxy Coated Battery Clip

Solder/crimp connection. Jaw opens 1.50" (38.1 mm) max. Locks on to both side and top mounted battery terminals

Material: steel, epoxy coated clips with copper plated jaws

Length: 6.75" (171.45mm)

***Std. Colors:** -0 Black, -2 Red

Rating: 200 Amps



CLIPS & INSULATORS

Model # JP-25182

Small Angled Nose Telecom Clip with Bed of Nails

Mueller – J.S. Popper brand.
Jaw opens 1.0" (25.4mm).
Uses bed of nails to pierce insulation

Material: nickel-silver jaws; includes brass screw, brass nut, brass washer, and bronze star washer

Length: 2.34" (59.4mm)

Connection -N Without Hardware, -L With Loose Hardware,

Options: -J Banana Jack, -TJ Threaded Banana Jack
-S Nickel plated steel version of clip



Model # JP-8099

Large Angled Nose Telecom Clip with Single Spike

Mueller – J.S. Popper brand
Jaw opens 1.0" (25.4mm)
Uses single spike to pierce insulation

Material: nickel-silver jaws; includes brass screw, brass nut, brass washer, and bronze star washer

Length: 2.34" (59.4mm)

Connection -N Without Hardware, -L With Loose Hardware,

Options: -J Banana Jack, -TJ Threaded Banana Jack



Model # JP-8078

Large Angled Nose Telecom Clip with Hex Screw Attached Single Spike

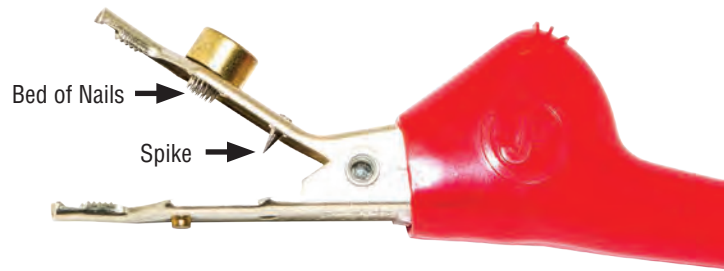
Mueller – J.S. Popper brand
Jaw opens 1.0" (25.4mm)
Uses single spike to pierce insulation

Material: nickel-silver jaws; includes brass screw, brass nut, brass washer, and bronze star washer

Length: 2.34" (59.4mm)

Connection -N Without Hardware, -L With Loose Hardware,

Options: -J Banana Jack, -TJ Threaded Banana Jack



Model # JP-8783

Large Angled Nose Telecom Clip with Bed of Nails and Single Spike

Mueller – J.S. Popper brand. Jaw opens 1.0" (25.4mm). Uses single spike and bed of nails to pierce insulation

Material: nickel-silver jaws; includes brass screw, brass nut, brass washer, and bronze star washer

Length: 2.61" (66.4mm)

Connection -N Without Hardware, -L With Loose Hardware,

Options: -J Banana Jack, -TJ Threaded Banana Jack
-S Nickel plated steel version of clip



Model # JP-33699

Large Straight Nose Telecom Clip with Single Spike

Mueller – J.S. Popper brand. Jaw opens 1.0" (25.4mm)
Uses single spike to pierce insulation

Material: nickel-silver jaws; includes brass screw, brass nut, brass washer, and bronze star washer

Length: 2.61" (66.4mm)

Connection -N Without Hardware, -L With Loose Hardware,

Options: -J Banana Jack, -TJ Threaded Banana Jack



Model # JP-33674

Large Straight Nose Telecom Clip with Bed of Nails and Single Spike

Mueller – J.S. Popper brand. Jaw opens 1.0" (25.4mm) Uses single spike and bed of nails to pierce insulation

Material: nickel-silver jaws; includes brass screw, brass nut, brass washer, and bronze star washer

Length: 2.61" (66.4mm)

Connection -N Without Hardware, -L With Loose Hardware,

Options: -J Banana Jack, -TJ Threaded Banana Jack



Model # JP-5869-B

Contact Clip with Bed of Nails

Mueller – J.S. Popper brand
Jaw opens 0.52" (13.2mm)
Uses bed of nails to pierce insulation

Material: Steel

Length: 2.4" (61.0mm)



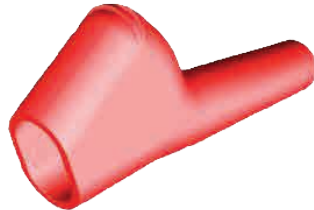


Model # JP-8681-*

Insulator for Telecom Clips

Mueller – J.S. Popper brand
 Protective flexible vinyl insulator
 for 25182, 8099, 8078,
 8783, 33699, 33674

- Material:** PVC
Length: 2.4" (61.0mm)
***Std.** -0 Black,
Colors: -2 Red,
 -4 Yellow,
 -5 Green,
 -6 Blue,
 -9 White

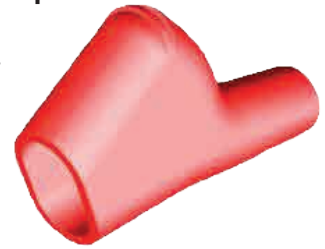


Model # JP-8681-C*

Cut Insulator for Telecom Clips

Mueller – J.S. Popper brand
 Protective flexible vinyl insulator for
 telecom clips with banana jack
 or threaded banana jack
 connections

- Material:** PVC
Length: 1.8" (45.7mm)
***Std.** -0 Black,
Colors: -2 Red,
 -4 Yellow,
 -5 Green,
 -6 Blue,
 -9 White



BANANA PLUGS & JACKS

Mueller's jacks, binding posts and banana plugs ensure a reliable connection. All plug bodies are nickel-plated brass. Shielded jacks provide additional user safety where it is required.

Model # BU-00226-*

4mm Banana Plug With 8-32 Thread

Nine leaf cage spring 4mm banana plug

Material: Banana Plug: nickel-plated brass body;
Spring: nickel-plated phosphor bronze;

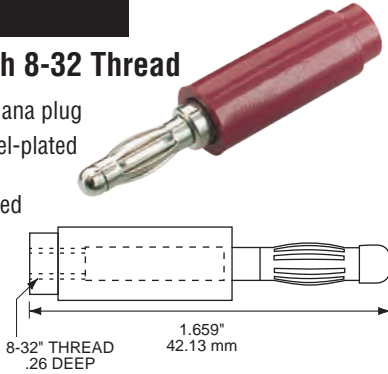
Insulator: ABS

Length: 1.66" (42.13mm)

***Std.** -0 Black,

Colors: -2 Red

Rating: 1000 Volts,
15 Amps (hands free)



Model # BU-00244-*

Solderless 4mm Banana Plug -Hex Design

Material: Banana Plug: nickel-plated brass body;
Spring: nickel-plated phosphor bronze;

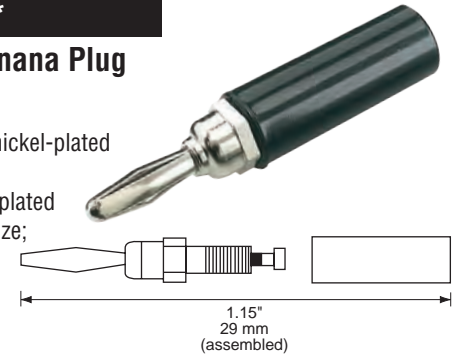
Insulator: ABS

Length: 1.15" (29mm)

***Std.** -0 Black,

Colors: -2 Red

Rating: 15 Amps



Model # BU-00241

Threaded 4mm Banana Plug

Standard 4mm banana plug with 6-32 thread, solder lug and hex nut

Material: Banana Plug: nickel-plated brass body;
Spring: nickel-plated phosphor bronze

Length: 1.21" (31mm)

Rating: 15 Amp



Model # BU-00245-*

Set Screw 4mm Banana Plug

Material: Banana Plug: nickel-plated brass body;
Spring: nickel-plated phosphor bronze;

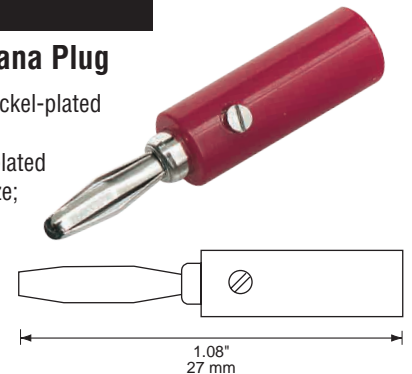
Insulator: ABS

Length: 1.08" (27mm)

***Std.** -0 Black,

Colors: -2 Red

Rating: 15 Amps



Model # BU-00243-*

Solderless 4mm Banana Plug

Material: Banana Plug: nickel-plated brass body;
Spring: nickel-plated phosphor bronze; Insulator: ABS

Length: 1.1" (28mm)

***Std.** -0 Black,

Colors: -2 Red

Rating: 15 Amp



Model # BU-00246-*

Tapered Handle 4mm Banana Plug

Material: Banana Plug: nickel-plated brass body;
Spring: nickel-plated phosphor bronze;

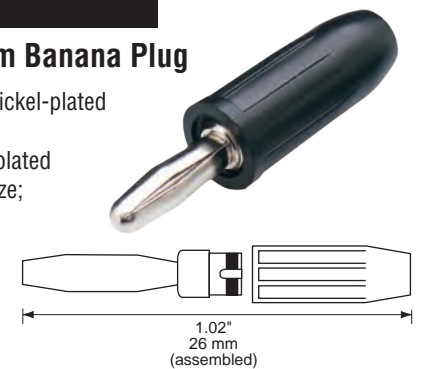
Insulator: ABS

Length: 1.02" (26mm)

***Std.** -0 Black,

Colors: -2 Red

Rating: 15 Amps





Model # BU-00249-*

Stackable 4mm Banana Plug

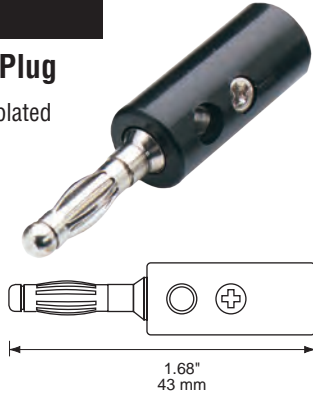
Material: Banana Plug: nickel-plated brass body; Spring: nickel-plated phosphor bronze; Insulator: ABS

Length: 1.68" (43mm)

***Std.** -0 Black,

Colors: -2 Red

Rating: 15 Amps



Model # BU-32101-*

Insulated 4mm Banana Jack To Standard Banana Plug

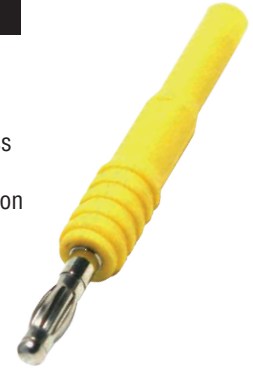
Material: Banana Plug: nickel-plated brass body; Spring: nickel-plated beryllium copper; Insulator: nylon

Length: 2.61" (66.3mm)

***Std.** -0 Black,

Colors: -2 Red, -4 Yellow, -6 Blue

Rating: 1000 V, 15 Amps (hands free), EC 1010 Compliant



Model # BU-16-*

Unshrouded Stackable 4mm Banana Plug

Material: Banana Plug: nickel-plated brass body; Spring: nickel-plated beryllium copper; Insulator: Nylon

Length: 1.88" (47.7mm)

***Std.** -0 Black,

Colors: -2 Red

Rating: 1000 Volts, 15 Amps (Hands free)



Model # BU-32601-*

Insulated 4mm Banana Coupler

Material: Banana Plug: nickel-plated brass; Insulator: nylon

Length: 2.50" (63.5mm)

***Std.** -0 Black,

Colors: -2 Red, -4 Yellow, -6 Blue

Rating: 1000V, 15 Amps, IEC 1010 Compliant
UL 61010 Listed.



Model # BU-32614-X

Retractable Stackable 4mm Banana Plug

Spring Loaded clear sheath, Solder Connection

Material: Beryllium copper contact with nylon housing

***Std.** -0 Black, -2 Red,

Colors: -4 Yellow, -5 Green, -6 Blue, -8 Gray, -9 White

Rating: 20 Amps, Hands free testing to 1000 V.



Model # BU-32603-*

Cable Mountable 4mm Shrouded Banana Plug

Material: Banana Plug: nickel-plated brass; Insulator: nylon

Length: 1.91" (48.5mm)

***Std.** -0 Black,

Colors: -2 Red

Rating: 1000V, category III, 1500V, category II, 20 Amps,

IEC 1010 Compliant



Model # BU-00247-*

Dual 4mm Banana Plug

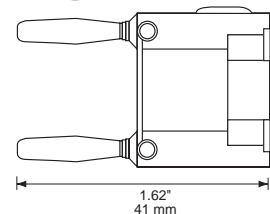
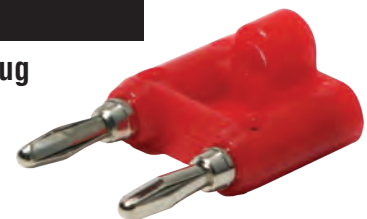
Insulator: PVC

Length: 1.62" (41mm)

***Std.** -0 Black,

Colors: -2 Red, -4 Yellow, -5 Green, -6 Blue

Rating: 15 Amps



BANANA PLUGS & JACKS



Model # BU-P1330-*

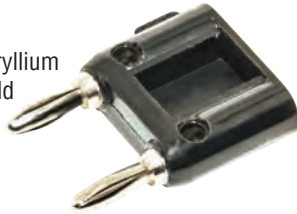
4mm Dual Banana Plug

Material: Contacts: Nickel plated beryllium copper with nylon overmold

***Std.** -0 Black,

Colors: -2 Red

Rating: 15 Amps
Hands free testing to 5000VRMS Max.



BU-P2970-*

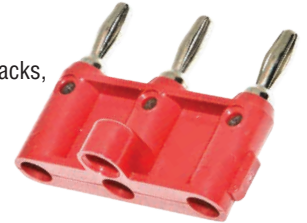
Triple 4mm Banana Plug

Material: 4mm Banana plugs and Jacks, Nickel plated brass

***Std.** -0 Black,

Colors: -2 Red

Rating: 15 Amps
Hands free testing to 1000VRMS Max..



BU-P1825-*

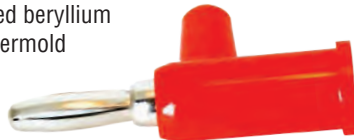
Stackable 4mm Banana Plug (10 Pack)

Material: Contacts: Nickel plated beryllium copper with nylon overmold

***Std.** -0 Black,

Colors: -2 Red

Rating: 15 Amps
Hands free testing to 5000VRMS Max.



BU-P3264

4mm Banana Plug, 1.06" 8-32 Thread (10 Pack)

Includes solder lug and hex nut

Material: Nickel plated beryllium copper

Rating: 15 Amps
Hands free testing to 5000VRMS Max.



BU-P2269

Dual 4mm Banana Jack

Material: Solder connection, Nickel plated brass with nylon insulators

Panel Thickness: .375" (9.5) max.

Rating: 15 Amps
Hands free testing to 1000VDC Max.



BU-P3750-*

Binding Post, Gold Plated Brass

Mounts in panels between .070" and .250" thick

***Std.** -0 Black,

Colors: -2 Red

Rating: 15 Amps Hands free testing to 2500 VRMS Max.



BU-P2854-*

Banana Jack, 4mm (10 Pack)

Material: Gold plated brass contacts with High temp Nylon insulators, Solder connection.

Panel Thickness: Maximum panel thickness is .250" (6,35)

***Std.** -0 Black,

Colors: -2 Red

Rating: 5 Amps, Hands free testing to 2000 VDC Max.



BU-P3770-*

Binding Post, Gold Plated Tellurium

Mounts in panels between .070" and .250" thick

***Std.** -0 Black,

Colors: -2 Red

Rating: 15 Amps Hands free testing to 2500 VRMS Max.





BU-P5167-*

4mm Banana Jack, 18-22AWG

Can be soldered or crimped

Material: Nickel plated brass with flexible PVC insulator

***Std. Colors** -0 Black, -2 Red

Rating: 15 Amps. Hands free testing to 5000 VDC Max.



BU-P5145

Dual 4mm Banana Shorting Bar, Black

Material: Nickel plated beryllium copper contacts

Rating: 15 Amps
Hands free testing to 1000V Max.



BU-P5168-*

4mm Banana Jack, 14-16AWG

Can be soldered or crimped

Material: Nickel plated brass with flexible PVC insulator

***Std. Colors** -0 Black, -2 Red

Rating: 15 Amps Hands free testing to 5000 VDC Max.



BU-P72918

Threaded 4mm Banana Plug M3 (10 Pack)

Material: Nickel plated brass

Rating: 36 Amps
Hands free testing to 5000 VRMS Max.



BU-P5169-*

4mm Banana Plug, 18-22AWG

Can be soldered or crimped

Material: Nickel plated brass with flexible PVC insulator

***Std. Colors** -0 Black, -2 Red

Rating: 15 Amps Hands free testing to 5000 VDC Max.



BU-PMDP-*

Stackable Double 4mm Banana Plug

Material: Nickel plated beryllium copper contacts with polypropylene overmold

***Std. Colors** -0 Black, -2 Red, -9 White

Rating: 15 Amps Hands free testing to 5000 VRMS Max.



BU-P5170-*

4mm Banana Plug, 14-16AWG

Can be soldered or crimped

Material: Nickel plated brass with flexible PVC insulator

***Std. Colors** -0 Black, -2 Red

Rating: 15 Amps Hands free testing to 5000 VDC Max.



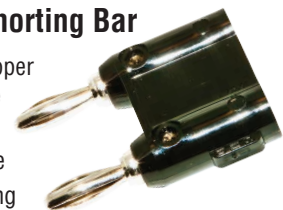
BU-PMDP-S-*

Double 4mm Banana Plug Shorting Bar

Material: Nickel plated beryllium copper contacts with polypropylene overmold

***Std. Colors** -0 Black, -2 Red, -9 White

Rating: 15 Amps. Hands free testing to 5000 VRMS Max.



BU-P122505-*

Retractable 4mm Banana Plug

Solder Connection

Material: Beryllium copper and glass filled nylon

***Std. Colors** -0 Black, -2 Red

Rating: 20 Amps. Hands free testing to 1000 V.



BU-31104-*

Stackable 4mm Banana Plug

Solder Connection

Material: Beryllium copper and polypropylene

***Std. Colors** -0 Black, -2 Red

Rating: 20 Amps. Hands free testing to 1000 VRMS.



BANANA PLUGS & JACKS

BANANA PLUGS & JACKS

MINIS

BU-P4513

Mini Threaded Banana Plug, Gold Plated, (10 Pack)

Material: Gold plated beryllium copper
Rating: 5 Amps
 Hands free testing to 2000 VDC Max.



BU-P3276

Mini Banana Plug, .23" 4-40 Thread (10 Pack)

Material: Mini Banana plug is gold plated beryllium copper
Rating: 5 Amps
 Hands free testing to 2000 VDC Max.



BU-P3690-*

Mini Banana Plug (10 Pack)

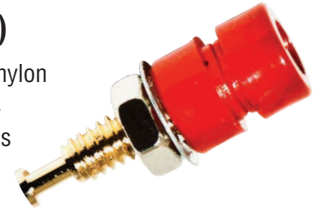
For use with 20-22 AWG wire
Material: Gold plated beryllium copper
***Std. Colors:** -0 Black, -2 Red
Rating: 5 Amps Hands free testing to 1000 VDC Max.



BU-P2142-*

Mini Banana Jack (10 Pack)

Material: Nickel plated brass with nylon bezel. Solder connection.
Panel Thickness: Maximum panel thickness is .250" (6,35)
***Std. Colors:** -0 Black, -2 Red
Rating: 5 Amps Hands free testing to 1000VDC Max..



BU-P2143-*

Dual Mini Banana Jack

Material: Gold plated brass with nylon bezel. Solder connection.
Panel Thickness: .188" (4,7)
***Spacer Colors:** -0 Black, -2 Red
Rating: 5 Amps. Hands free testing to 1000VDC Max.

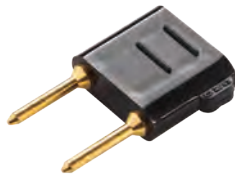


PIN TIPS

BU-P3452

Pin Tip Shorting Bar, Black

Material: Gold plated brass pins, and gold plated beryllium copper contacts
Rating: 5 Amps
 Hands free testing to 3000 VRMS Max.



BU-P4543-*

Dual Pin Tip Jack

Material: Gold plated beryllium copper contacts with nylon insulators
***Spacer Colors:** -0 Black, -2 Red
Rating: 5 Amps Hands free testing to 1500 VDC Max.



BU-P3542-*

Pin Tip Jack (10 Pack)

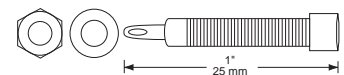
Material: Gold plated beryllium copper contacts and gold plated brass jacks with high temperature nylon insulators
***Std. Colors:** -0 Black, -2 Red
Rating: 5 Amps Hands free testing to 1500 VRMS Max.



Model # BU-00234-*

Insulated Phone Tip Jack

Material: Banana Jack: nickel-plated brass body; Spring: nickel-plated phosphor bronze; Insulator: ABS
Length: 1" (25mm)
***Std. Colors:** -0 Black, -2 Red
Rating: 15 Amps





Model # BU-00233-*

Insulated Banana Jack

Material: Banana Jack: nickel-plated brass body; Insulator: nylon

Length: 0.66" (17mm)

***Std. Colors:** -0 Black, -2 Red

Rating: 15 Amps

Model # BU-00282-*

Five-Way Binding Post

Material: Post: nickel-plated brass; Insulator: nylon

Length: 2.10" (53mm)

***Std. Colors:** -0 Black, -2 Red

Rating: 15 Amps

Model # BU-31602-*

Pressfit Insulated Banana Jack with Solder Pin Connection

Material: Banana Plug: nickel-plated brass; Insulator: Dupont 101L

Length: 1.25" (31.75mm)

***Std. Colors:** -0 Black, -2 Red, -4 Yellow, -6 Blue

Rating: 1000 V, 15 Amps, IEC 1010 Compliant
UL 61010 Listed

Model # BU-00283

Dual Five-Way Binding Post

Material: Post: nickel-plated brass; Insulator: nylon

Length: 1.80" (46mm)

Rating: 15 Amps

Model # BU-31603-*

Pressfit Insulated Banana Jack with Spade Connection

Material: Banana Plug: nickel-plated brass; Insulator: Dupont 101L

Length: 1.37" (34.8mm)

***Std. Colors:** -0 Black, -2 Red, -4 Yellow, -6 Blue

Rating: 1000 V, 15 Amps, IEC 1010 Compliant
UL 61010 Listed

Model # BU-31607-*

Screw-in Safety Socket with Stud and Metal Nut

Material: Hardware: nickel-plated brass; Insulator: ABS-nylon composite

Length: 1.53" (39mm)

***Std. Colors:** -0 Black, -2 Red, -4 Yellow, -5 Green, -6 Blue, -9 White

Rating: 600V, category III, 1000V, category II, 35 Amps, IEC 1010 Compliant

Model # BU-00281-*

Slim-Line Five Way Binding Post-Threaded

Material: Post: nickel-plated brass; Insulator: nylon

Length: 2" (51mm)

***Std. Colors:** -0 Black, -2 Red

Rating: 15 Amps

Model # BU-31610-*

Screw-in Socket with 1/4" Spade Connector

Material: Connector: Nickel-plated brass; Insulator: ABS-nylon composite

Length: 1.3" (33mm)

***Std Colors:** -0 Black, -2 Red

Ratings: 600V category III, 1000V category II, 35 Amps, IEC 1010 Compliant



GRABBERS, PROBES & SPADE TERMINALS

Model # BU-00201-*/BU-00202-*/BU-00203-*

Plunger Clip

Material: Cap & Body: glass filled nylon;
Spring: stainless steel; Contact: beryllium copper;
insulated to a single contact point

Length: 1.75" (44mm) (BU-00201-*);
2.50" (63mm) (BU-00202-*);
3.50" (88mm) (BU-00203-*)

***Std Colors:** -0 black, -2 red
Rating: 1000 Volts, 10 Amps



Model # BU-00207-*

Safety Plunger Clip Adapter with 8-32 Thread

Material: Body: nylon;
Spring: stainless steel; Contact:
stainless steel

Length: 2.23" (56.64mm)

***Std Colors:** -0 Black, -2 Red
Rating: 1000 Volts, 15 Amps



Model # BU-00208-*

Mini-Micro Plunger Clip

Material: Cap & Body: tough,
durable nylon; Spring: stainless
steel compression coil;
Contact: gold-plated
beryllium copper

Length: 1.75" (44mm)

***Std Colors:** -0 Black, -2 Red
Rating: 600 Volts, 3 Amps



Mueller grabber clips and test probes are available in a wide variety of sizes to ensure that even the most hard to reach test point is easily accessible. We provide a fast and easy connection to terminals and component test leads.

Color Key

0	Black	2	Red	4	Yellow
5	Green	6	Blue	9	White

Model # BU-20431-*

Right Angle Insulated Plunger Hook Clip

Compatible with all shrouded, unshrouded, or retractable 0.16" (4mm) banana plugs

Material: Housing: nylon. Contact:
nickel-plated beryllium copper

Length: 4.60" (116.84mm); the hook
extends 0.41" (10mm)
when fully depressed

***Std Colors:** -0 Black, -2 Red, -4 Yellow,
-6 Blue

Rating: 1000V, 15 Amps, IEC 1010 Compliant



Model # BU-20432-*/BU-20433-*

Right Angle Insulated Plunger Clamp Clip

Compatible with all shrouded, unshrouded, or retractable 0.16" (4mm) banana plugs

Material: Housing: nylon;
Contact: nickel-plated beryllium copper

Length: 5.50" (139.7mm) (BU-20432-*);
7.50" (190.5mm) (BU-20433-*)

***Std Colors:** -0 Black, -2 Red,
-4 Yellow, -6 Blue

Rating: 1000V, 1 Amps,
IEC 1010 Compliant



Model # BU-00209-*

Safety Plunger Clip Adapter with 8-32 Thread

Material: Body: nylon;
Spring and Contact: stainless steel

Length: 3.5" (89mm)

***Std Colors:** -0 Black, -2 Red,
Rating: 1000V, 15 Amps
UL Listed



GRABBERS, PROBES & SPADE TERMINALS



Model # BU-20434-*

Right Angle Insulated Plunger Jaw Clip

Compatible with all shrouded, unshrouded, or retractable 0.16" (4mm) banana plugs

Material: Housing: nylon; Contact: nickel-plated steel

Length: 5.26" (133.6mm); the steel jaws extend 0.48" (12mm) and open to 1" (25mm)

***Std Colors:** -0 Black, -2 Red, -4 Yellow, -6 Blue

Rating: 1000V, 15 Amps, IEC 1010 Compliant UL Listed



Model # BU-26101-*

Insulated Plug-On Test Prod With Stainless Steel Tip

Compatible with all shrouded, unshrouded, or retractable 0.16" (4mm) banana plugs

Material: Housing: nylon; Contact: nickel-plated brass

Length: 3" (76.2mm)

***Std Colors:** -0 Black, -2 Red, -4 Yellow, -6 Blue

Rating: 1000V, 20 Amps, IEC 1010 Compliant UL Listed



Model # BU-26106-*

Insulated Plug-On Test Prod With 8-32 Thread Tip

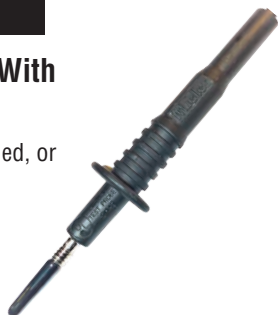
Compatible with all shrouded, unshrouded, or retractable 0.16" (4mm) banana plugs

Material: Housing: nylon; Contact: nickel-plated brass

Length: 3.3" (83mm)

***Std Colors:** -0 Black, -2 Red, -4 Yellow, -6 Blue

Rating: 1000V, 20 Amps, IEC 1010 Compliant UL Listed



Model # BU-26130-*

Ultra Tech Test Prod

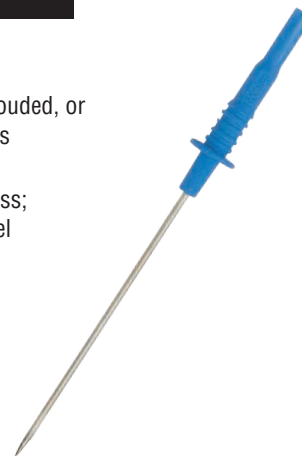
Compatible with all shrouded, unshrouded, or retractable 0.16" (4mm) banana plugs

Material: Housing: nylon; Contact: nickel-plated brass; Probe Tip: Stainless steel

Length: 6.27" (159.3mm)

***Std Colors:** -0 Black, -2 Red, -4 Yellow, -6 Blue

Rating: 1000V, 20 Amps, IEC 1010 Compliant UL Listed



Model # BU-21434-*

Insulated Plunger Jaw Clip

Compatible with all type of 4mm banana plugs.

Material: Housing: nylon; Jaws: 304 stainless steel

Length: 6.13" (156mm), Jaw opens to .37" (9.4mm)

***Std Colors:** -0 Black, -2 Red

Ratings: 1000 V Cat III, 10 Amps



Model # BU-30211

4mm Spade Terminal to 4mm Banana Jack

Material: Body; Nickel Plated Brass. Housing is nylon.

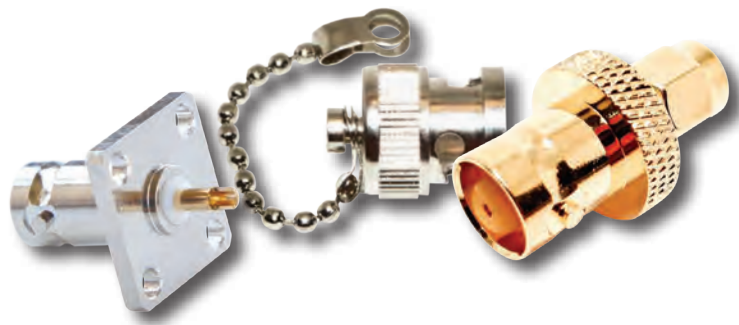
****Length:** 1.69" (43mm)

***Std Colors:** -0 Black, -2 Red, -4 Yellow, -5 Green, -6 Blue, -9 White

Ratings: 30Vac-60Vdc, 36 Amps



GRABBERS, PROBES & SPADE TERMINALS



Model # BU-P1296

Adapter-BNC Male to Double Binding Post

Material: BNC: Tarnish resistant plated brass body and gold-plated brass center contact; Banana Jacks: Brass body, Nickel-plated; Insulator: Nylon

Length: 2.32" (59 mm)

Rating: 600 Volts, 3 Amps



Model # BU-P3533

BNC Connector (M-M)

Material: Body: Nickel Plated Brass
Contacts: Gold plated Beryllium Copper; Insulator: PTFE

Rating: Temperature: -50°C to 170°C;
Impedance: 50 Ohms



Model # BU-P2451

BNC Female Panel Receptacle

Material: Body: Nickel plated brass
Contacts: Gold plated beryllium copper; Insulator: PTFE

50 Ohms Impedance. 30 VAC/60 VDC Max Shield/Earth. 500 VRMS Inner Conductor/ Shield. RoHS Compliant.



Model # BU-P3534

BNC Connector Right Angle (F-M)

Material: Body: Nickel Plated brass body;
Center Contacts: Gold plated beryllium copper

Rating: Impedance: 50 Ohms



COAXIAL CONNECTORS

Model # BU-P3283

BNC Adapter (F-F)

Material: Body: Nickel plated brass
Contacts: Gold plated beryllium copper; Insulator: PTFE

50 Ohms Impedance. 30 VAC/60 VDC Max Shield/Earth. 500 VRMS Inner Conductor/ Shield.



Model # BU-P3778

BNC Female Bulkhead Receptacle

BNC ground is isolated from panel. Can be mounted in panels up to .175" thick.

Material: Center Contacts: Gold plated beryllium copper

Rating: Impedance: 50 Ohms



Model # BU-P3285

BNC Connector "T" (F-M-F)

Material: Body: Nickel plated brass
Contacts: Gold plated beryllium copper; Insulator: PTFE

50 Ohms Impedance. 30 VAC/60 VDC Max Shield/Earth. 500 VRMS Inner Conductor/ Shield.



Model # BU-P3839

BNC Female Cap (with chain)

Nickel plated brass body with silicone rubber gasket.

Material: Body: Nickel plated brass
Contacts: Gold plated beryllium copper; Insulator: PTFE





Model # BU-P3846

BNC Panel Mount Connector (F-F)

Mounts in panels up to .175" thick.

Material: Body: Nickel Plated Brass;
Center Contact: Gold plated

Rating: Impedence: 50 Ohms

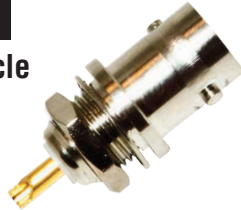


Model # BU-P4160

Bulkhead Female BNC Receptacle

Material: Body: Brass, Tarnish resistant plating; Center Contact: Gold plated Beryllium Copper; Dielectric: PTFE

Rating: Temperature: -50°C to 170°C; 30 VAC/60 VDC Max shield/earth; 500 VRMS Inner conductor/shield; Impedence: 50 Ohms



Model # BU-P4289

SMA Female to BNC Male

Material: Body: Tarnish Resistant Nickel Plated; Center Contact: Gold plated Beryllium Copper

Rating: Impedance: 50 Ohms; Frequency: 0 to 12.4GHz



Model # BU-P4290

SMA Male to BNC Female

Material: Body: Tarnish Resistant Gold Plated Brass; Center Contact: Gold plated Beryllium Copper

Rating: Impedance: 50 Ohms; Frequency: 0 to 12.4GHz



Model # BU-P3791

Male BNC connector with Stain Relief

Crimp style installation to RG58 Coax

Material: Body: Nickel Plated Brass
Contact: Gold plated Beryllium Copper

Ratings: 50 Ohms impedance, hands free testing to 500 VRMS



Model # BU-P4578

Female BNC, PCB Mount

Material: Body: Brass, Tarnish resistant nickel plating, Mtg. Pin: Nickel plated brass; Center Contact: Gold plated Beryllium copper; Center Pin: Gold plated brass; Dielectric: PTFE

Rating: Impedence: 50 Ohms; Temperature: -70°C to 170°C; 30 VAC/60 VDC Max shield/earth; 500 VRMS Inner conductor/shield



Model # BU-P5319

BNC Female to Phono Plug

Material: Body: Nickel plated brass
Contacts: Gold plated Beryllium Copper; Phono Contact: Gold plated brass; Insulator: PTFE

Rating: Voltage: Hands free testing to 500 VRMS Max.
Temp: -50°C to 105°C; Frequency: 0 to 12.4 GHz
Impedance: 50 Ohms



Model # BU-P6738

BNC T-Connector (F-F-F)

Material: Body: Nickel plated brass
Contacts: Gold plated Beryllium Copper; Insulator: PTFE

Rating: Temp: -50°C to 105°C; Impedance: 50 Ohms



Model # BU-P72973

SMA Flange Mount Connector (F-F)

Material: Body: Gold plated brass; Center Contacts: Gold plated Beryllium Copper

Rating: Impedance: 50 Ohms; Frequency: 0 to 18GHz



Model # BU-P72981

SMB Plug Crimp Installation

Material: Body: Nickel plated brass
Contacts: Gold plated Beryllium Copper; Insulator: PTFE

Rating: Voltage: Hands free testing to 250 VRMS Max.; Temp: -50°C to 170°C
Frequency: 0 to 3 GHz; Impedance: 50 Ohms



Mueller manufactures a full line of test and interconnection leads for almost any application. For nearly a century, technicians and engineers have looked to Mueller as "perfection... for the best connection."

Wire Table

Designation	AWG	Description	O.D.	Insulation	Temp	Rating
M	18	413/44 copper	.140" (3.56mm)	Silicone	150°C/-80°C	3000V, 22A
N	18	65/36 tinned copper	.140" (3.56mm)	PVC	80°C/-50°C	5000V, 6.5A
A	20	41/36 tinned copper	.088" (2.24mm)	PVC	105°C/-25°C	300V, 6.5A
E	22	19/34 tinned copper	.062" (1.56mm)	PVC	105°C/-55°C	1000V, 600V UL1483, 300V UL1509, 3.5A
D	18	65/36 tinned copper	.140" (3.56mm)	PVC	90°C	3000V, 6.5A

Model # BU-1010-A; BU-1111-A; BU-1212-A

**Micro-Plunger Clip
Mini-Plunger Clip
Plunger Clip**

Make fast easy work of difficult IC connections with plunger. They firmly but gently attach to delicate component leads and terminals with a spring-loaded, beryllium copper conductor.

Choose from three plunger sizes, five lengths and two colors.

Material: Hook-up Wire: #20 AWG (41/36) tinned copper with 105°C PVC insulation.

****Length:** 12", 24", 36", 48" & 60".

***Std. Colors:** -0 Black, -2 Red

Rating: Hands free testing at 300V, 5 Amp



Model # BU-1420-A--***

Mini-Micro-Plunger to Stackable 4mm Banana Plug

Material: Banana Plug: polypropylene housing, brass body and beryllium copper, nickel-plated, nine-leaf cage spring; Hook-up Wire: #20 (41/36) AWG tinned copper with 105°C PVC insulation; Plunger: nylon housing, stainless steel spring and gold-plated, beryllium copper contact

****Length:** -12" (.3m), 24" (.6m), 36" (.9m), 48" (1.2m), 60" (1.5m)

***Std. Colors:** -0 Black, -2 Red

Rating: Hands free testing at 300V, 5 Amp



TEST LEADS & PATCH CORDS

Model # BU-1120-A--***

Mini-Plunger to Stackable 4mm Banana Plug

Material: Banana Plug: Polypropylene housing, brass body and beryllium copper, nickel-plated, nine-leaf cage spring; Hook-up Wire: #20 (41/36) AWG tinned copper with 105°C PVC insulation; Plunger: nylon housing, stainless steel spring and beryllium copper contact

****Length:** -12" (.3m), 24" (.6m), 36" (.9m), 48" (1.2m), 60" (1.5m)

***Std. Colors:** -0 Black, -2 Red

Rating: Hands free testing at 300V, 5 Amps



Model # BU-1031-A--***

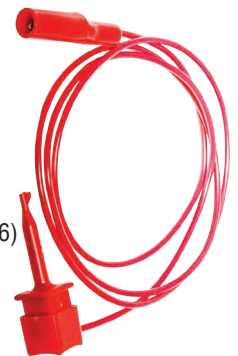
Mini-Plunger to Insulated Mini Alligator Clip

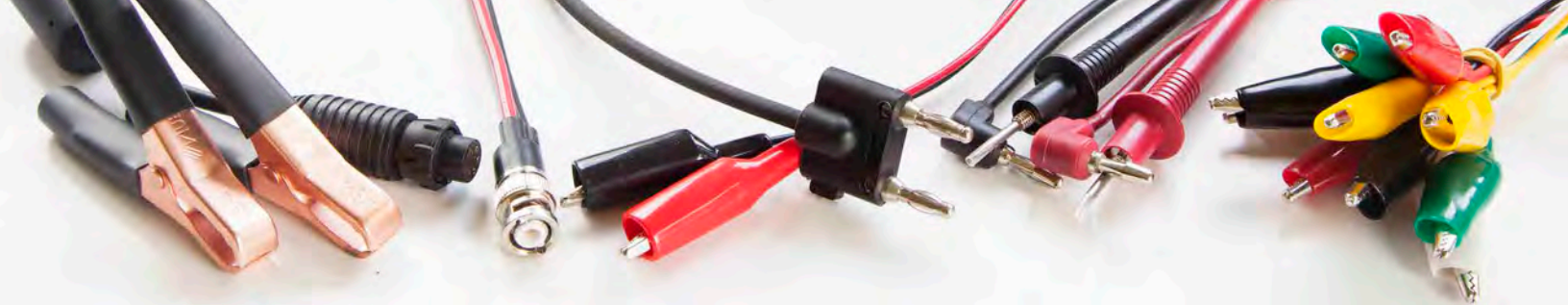
Material: Plunger Clip (BU-00201) Polypropylene housing and beryllium. Copper Contact. Alligator clip (BU-30BL) Nickel plated steel; Hook-up wire 20 AWC (41/36) Tinned copper.

****Length:** -12" (.3m), 24" (.6m), 36" (.9m), 48" (1.2m), 60" (1.5m)

***Std. Colors:** -0 Black, -2 Red

Rating: Hands free testing at 300V, 5 Amps





Model # BU-2020-A--***

Stackable Single 4mm Banana Plugs on Both Ends

Material: Banana Plug: Polypropylene housing, brass body and beryllium copper, nickel-plated, nine-leaf cage spring; Hook-up Wire: #20 (41/36) AWG tinned copper with 105°C PVC insulation

****Length:** -12" (.3m), 24" (.6m), 36" (.9m), 48" (1.2m), 60" (1.5m)

***Std. Colors:** -0 Black, -2 Red

Rating: Hands free testing at 300V, 10 Amps



Model # BU-2031-A--***

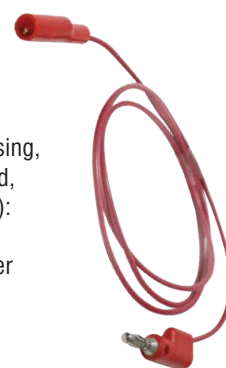
Insulated Mini-Alligator Clip to Stackable 4mm Banana Plug

Material: Banana Plug: Polypropylene housing, brass body and beryllium copper, nickel-plated, nine-leaf cage spring; Alligator Clip (BU-30BL): nickel-plated steel with PVC insulator; Hook-up Wire: #20 (41/36) AWG tinned copper with 105°C PVC insulation

****Length:** -12" (.3m), 24" (.6m), 36" (.9m), 48" (1.2m), 60" (1.5m)

***Std. Colors:** -0 Black, -2 Red

Rating: Hands free testing at 300V, 10 Amp



Model # BU-2030-A--***

Insulated Alligator Clip to Stackable 4mm Banana Plug

Material: Banana Plug: Polypropylene housing, brass body and beryllium copper, nickel-plated, nine-leaf cage spring; Alligator Clip (BU-60): nickel-plated steel with PVC insulator; Hook-up Wire: #20 (41/36) AWG tinned copper with 105°C PVC insulation

****Length:** -12" (.3m), 24" (.6m), 36" (.9m), 48" (1.2m), 60" (1.5m)

***Std. Colors:** -0 Black, -2 Red

Rating: Hands free testing at 300V, 10 Amps



Model # BU-2241-D-48-*

Multiple Feature Test Probe to Right Angle Shrouded 4mm Banana Plug

Material: Needle: stainless steel; Banana plugs: nickel-plated brass; Housing: ABS; Hook-up wire: #18 AWG (65/36) tinned copper with 90°C PVC insulation

***Std. Colors:** -0 Black, -2 Red

Rating: 1000V Category II, 20 Amps



Model # BU-3030-A--***

Insulated Alligator Clips Both Ends

Material: Nickel plated steel Alligator Clip (BU-60) with PVC insulators (BU-62-*) Hook-up wire is 20 AWG (41/36) tinned copper

****Length:** -12" (.3m), 24" (.6m), 36" (.9m), 48" (1.2m), 60" (1.5m)

***Std. Colors:** -0 Black, -2 Red

Rating: Hands free testing at 300V, 10 Amps



Model # BU-2243-D-48-*

Slim-line Test Probe to Shrouded Right Angle 4mm Banana Plug

The stainless steel probe is Kynar® insulated except for the working end to prevent unwanted contact with other components that may be in the way

Material: Needle: stainless steel; Banana Plugs: nickel-plated brass; Housing: ABS; Hook-up wire: #18 AWG (65/36) tinned copper with 90°C PVC insulation

***Std. Colors:** -0 Black, -2 Red

Rating: 600V Category II, 20 Amps



TEST LEADS & PATCH CORDS



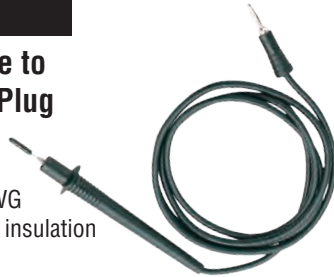
Model # BU-2641-D-48-*

Multiple Feature Test Probe to Unshrouded 4mm Banana Plug

Material: Needle: stainless steel; Banana Plugs: nickel-plated brass; Housing: ABS; Hook-up wire: #18 AWG (65/36) tinned copper with 90°C PVC insulation

***Std. Colors:** -0 Black, -2 Red

Rating: 600V, 10 Amps



Model # BU-4061-M-39-*

Shrouded 4mm Banana Plug to Safety Test Probe - Silicone

Material: Banana Plugs: nickel-plated brass body, nickel-plated beryllium copper spring; Probe: stainless steel tip with 8-32 UNC thread; Hook-up Wire: #18 AWG, silicone insulator

***Std. Colors:** -0 Black, -2 Red, -4 Yellow, -6 Blue

Rating: 1000V, 20 Amps, IEC 1010 compliant, UL Listed



Model # BU-4062-M-39-*

Shrouded Right Angle 4mm Banana Plug to Safety Test Probe - Silicone

Material: Banana Plugs: nickel-plated brass body, nickel-plated beryllium copper spring; Probe: stainless steel tip with 8-32 UNC thread; Hook-up Wire: #18 AWG, silicone insulator

***Std. Colors:** -0 Black, -2 Red, -4 Yellow, -6 Blue

Rating: 1000V, 20 Amps, IEC 1010 compliant, UL Listed



Model # BU-2741-D-48-*

Multiple Feature Test Probe to Unshrouded Right Angle 4mm Banana Plug

Material: Needle: stainless steel; Banana plugs: nickel-plated brass; Housing: ABS; Hook-up wire: #18 AWG (65/36) tinned copper with 90°C PVC insulation

***Std. Colors:** -0 Black, -2 Red

Rating: 600V, 10 Amps



Model # BU-4444-A--***

Stackable 0.080" (2.0mm) Pin Plug on Both Ends

Tip jack accepts 0.080" (2.0mm) diameter pin jack contact

Material: Pin Plug: 0.080" (2.0mm) diameter; 0.500" (12.7mm) long, nickel-plated brass pin tip, nickel-plated beryllium copper spring, Polypropylene housing; Hook-up Wire: #22 (19/34) AWG tinned copper with 105°C PVC insulation

****Length:** -12" (.3m), 24" (.6m), 36" (.9m)

***Std. Colors:** -0 Black, -2 Red

Rating: Hands free testing at 300VAC, 15 Amps



Model # BU-2929-M--***

Unshrouded 4mm Banana Plugs on Both Ends – Ultra-Flex-Silicone Angle Banana Plug

Material: Unshrouded Banana Plugs: Mueller No. Bu-16-*; Hook-up wire: #18 AWG (65/36) tinned copper with 90°C PVC insulation

****Length:** -10" (.25m), 20" (.5m), 39" (1m)

***Std. Colors:** -0 Black, -2 Red

Rating: Hands free testing at 3 kV, 20 Amps



BU-P4911A--***

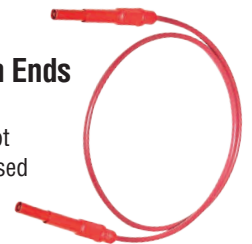
Retractable 4mm Banana Plug Both Ends

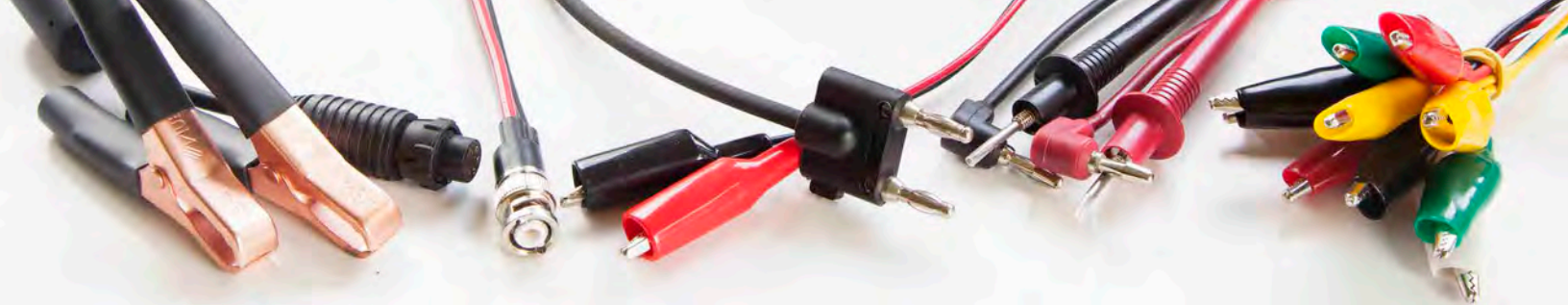
Spring loaded, retractable banana sheath provides electrical protection when cable is not mounted and slides out of the way when pressed into a non-insulated jack.

Material: Banana housing is Nylon, Contacts are beryllium copper. Wire: 18AWG PVC insulation.

***Std. Colors:** -0 Black, -2 Red

Rating: 20 Amps Hands free testing to 1000V Max.





BU-P4911B--***

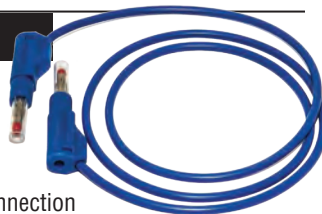
Premium Retractable Stackable 4mm Banana Plug Both Lead

Spring loaded, clear sheath, Solder Connection

Material: Beryllium copper contact with nylon housing with 18 AWG Silicon test lead wire.

***Std. Colors:** -0 Black, -2 Red, -4 Yellow, -5 Green, -6 Blue, -8 Gray, -9 White

Rating: 20 Amps Hands free testing to 1000 V.



Model # BU-6161-M-39-*

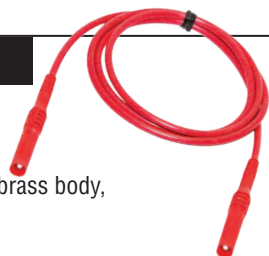
Shrouded 4mm Banana Plugs on both ends – Silicone

Material: Banana Plugs: nickel plated brass body, nickel plated beryllium copper spring; Wire: 18 AWG. silicone insulation

****Length:** -12" (.3m), -24" (.6m), -39" (1m), 48" (1.2m), 60" (1.5m)

***Std. Colors:** -0 Black, -2 Red, -4 Yellow, -5 Green, -6 Blue, -8 Gray, -9 White

Rating: 1000 V, 20 Amp, IEC 1010 compliant, UL listed



Model # BU-6162-M--***

Right Angle Shrouded 4mm Banana Plug to Shrouded 4mm Banana Plug - Silicone

Material: Banana Plugs: nickel-plated brass body, nickel-plated beryllium copper spring; Hook-up Wire: #18 AWG, silicone insulation

****Length:** -12" (.3m), -24" (.6m), -39" (1m), 48" (1.2m), 60" (1.5m)

***Std. Colors:** -0 Black, -2 Red, -4 Yellow, -6 Blue

Rating: 1000V, 20 Amp, IEC 1010 compliant, UL Listed



Model # BU-7014-B--***

Stackable Dual 4mm Banana Plug to Mini-Micro-Plunger with RG58

Material: Plunger: nylon housing, stainless steel spring and beryllium copper contact; Double Banana Plug: Polypropylene housing, brass body and beryllium copper, nickel-plated, nine-leaf cage spring; Coaxial Cable: shielded RG58C/U, MIL-C-17F, 50 ohm

****Length:** -12" (.36m), 24" (.6m), 36" (.9m)

***Std. Colors:** -0 Black, -2 Red

Rating: Hands free testing at 300 VRMS



Model # BU-7020-B--***

Stackable Dual 4mm Banana Plug to Stackable Single Banana Plug with RG58

Material: Single Banana Plug: Polypropylene housing, brass body and beryllium copper, nickel-plated, nine-leaf cage spring; Double Banana Plug: ABS housing, brass body and beryllium copper, nickel-plated, nine-leaf cage spring; Coaxial Cable: shielded RG58C/U, MIL-C-17F, 50 ohm

****Length:** -12" (.36m), 24" (.6m), 36" (.9m)

***Std. Colors:** -0 Black, -2 Red

Rating: Hands free testing at 500 VRMS



Model # BU-7031-B--***

Stackable Dual 4mm Banana Plug to Mini-Alligator Clip with RG58

Material: Alligator clip: nickel-plated steel with PVC insulator; Double Banana Plug: Polypropylene housing, brass body and beryllium copper, nickel-plated, nine-leaf cage spring; Coaxial Cable: shielded RG58C/U, MIL-C-17F, 50 ohm

****Length:** -12" (.36m), 24" (.6m), 36" (.9m)

***Std. Colors:** -0 Black, -2 Red

Rating: Hands free testing at 300 VRMS



Model # BU-7044-B--***

Stackable Dual 4mm Banana Plug to Stackable Pin Plug with RG58

Material: Pin Plug: 0.080" (2.0mm) diameter; 0.500" (12.7mm) long, nickel-plated beryllium copper spring, Polypropylene housing; Double Banana Plug: Polypropylene housing, brass body and beryllium copper, nickel-plated, nine-leaf cage spring; Coaxial Cable: shielded RG58C/U, MIL-C-17F, 50 ohm

****Length:** -12" (.36m), 24" (.6m), 36" (.9m)

***Std. Colors:** -0 Black, -2 Red

Rating: Hands free testing at 500 VRMS



TEST LEADS & PATCH CORDS



Model # BU-7070-B--***

Stackable Dual 4mm Banana Plug on Both Ends with RG58

Material: Double Banana Plug: Polypropylene housing, brass body and beryllium copper, nickel-plated, nine-leaf cage spring; Coaxial Cable: shielded RG58C/U, MIL-C-17F, 50 ohm

****Length:** -12" (.3m), 24" (.6m), 36" (.9m), 48" (1.2m), 60" (1.5m)

***Std. Colors:** -0 Black, -2 Red

Rating: Hands free testing at 300 VRMS



Model # BU-1150-C--0**

Mini-Plunger to BNC Male with RG58

Material: BNC Connector: MIL-C-30912, gold-plated center contact and silver-plated body; Coaxial Cable: shielded RG58C/U, MIL-C-17F, 50 ohm; Plunger: nylon housing, stainless steel spring and beryllium copper contact

****Length:** -12" (.3m), 24" (.6m), 36" (.9m), 48" (1.2m), 60" (1.5m)

Rating: Hands free testing at 300 VRMS



Model # BU-7171-B--0**

Shrouded Dual 4mm Banana Plug on Both Ends with RG58

Material: Double Banana Plug: Polypropylene housing, brass body and beryllium copper, nickel-plated, nine-leaf cage spring; Coaxial Cable: shielded #22 AWG (7/30) twisted pair with drain connected to (-) side of one banana plug; side with drain connection is marked; shielded RG58C/U, MIL-C-17F, 50 ohm

****Length:** -12" (.3m), 24" (.6m), 36" (.9m), 48" (1.2m), 60" (1.5m)

Rating: Hands free testing at 500 VRMS



Model # BU-3030-C-24-*

Insulated Alligator Clips on Both Ends - Coiled Cord

Material: Clip: nickel-plated steel alligator with insulator (BU-60 and BU-62-*); Coiled Cord: single conductor 18AWG wire with 4mm O.D.

Length: -24" (.6m) retracted, 120" (3.) extended

***Std. Colors:** -0 Black, -2 Red

Rating: Hands free testing at 300V, 15 Amps



Model # BU-8080-E--***

0.025" (.6mm) Square Pin Receptacle on Both Ends

Material: Pin Receptacle: ABS housing, 0.025" (0.6mm) copper-nickel-tin alloy 725 with 0.000030" (0.00076mm) gold contact plating conductor; Hook-up Wire: #22 AWG (19/34) tinned copper with 105°C PVC insulation

****Length:** -6" (.15m), 12" (.3m), 24" (.6m), 36" (.9m)

***Std. Colors:** -0 Black, -2 Red

Rating: Hands free testing at 300V, 3 Amp



Model # BU-3070-C--0**

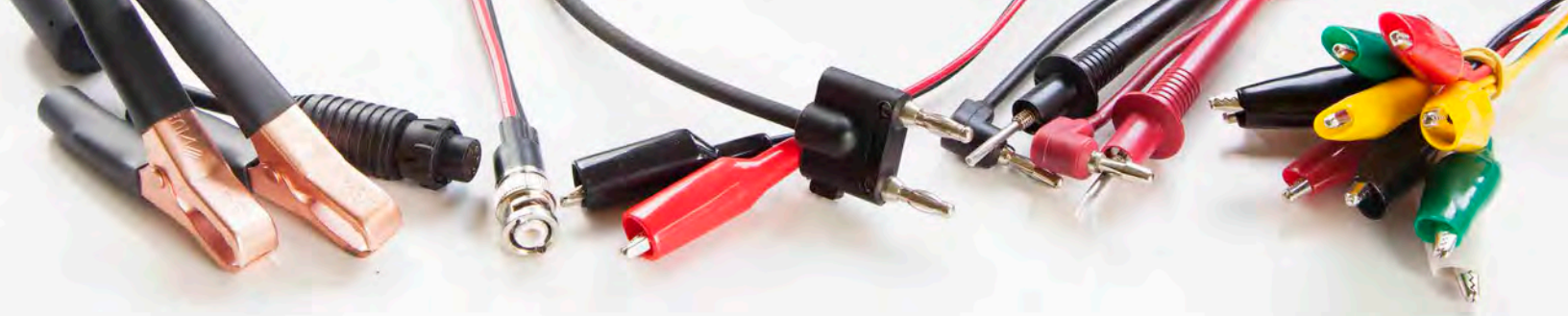
Insulated Alligator Clip to Stackable Dual 4mm Banana Plug with RG58

Material: Alligator Clip: nickel-plated steel with PVC insulator; Double Banana Plug: Polypropylene housing, brass body and beryllium copper, nickel-plated, nine-leaf cage spring; Coaxial Cable: Shielded RG58C/U, MIL-C-17F, 50 ohm

****Length:** -12" (.3m), 24" (.6m), 36" (.9m), 48" (1.2m), 60" (1.5m)

Rating: Hands free testing at 300 VRMS





Model # BU-3131-A--***

Insulated Mini-Alligator Clip on Both Ends

Material: Alligator Clip: nickel-plated steel with PVC insulator; Hook-up Wire: #20 (41/36) AWG tinned copper with 105°C PVC insulation

****Length:** -12" (.3m), 24" (.6m), 36" (.9m), 48" (1.2m), 60" (1.5m)

***Std. Colors:** -0 Black, -2 Red

Rating: Hands free testing at 300 VAC, 5 Amps



Model # BU-00285

Insulated Mini-Alligator Lead Set

Material: Clip: nickel-plated steel with PVC insulators; Hook-up Wire: #22 (19/34) AWG copper with 105°C PVC insulation

Length: 18" (.46m)

Colors: Includes 2 each: Black, Red, Yellow, Green, White

Rating: Hands free testing at 300V, 5 Amp



Model # JP-7505-83--***

Shrouded 4mm Banana Plug to Piercing Clip - Silicone

Piercing clips are J.S. Popper brand

Material: Piercing Clip: JP-8783; Banana Plugs: nickel-plated brass body, nickel-plated beryllium copper spring; Hook-up Wire: #18 AWG, silicone insulator

****Length:** -12" (.3m), 24" (.6m), 36" (.9m), 48" (1.2m)

***Std. Colors:** -0 Black, -2 Red, -4 Yellow, -6 Blue

Rating: 300V, 3 Amp



Model # BU-00286

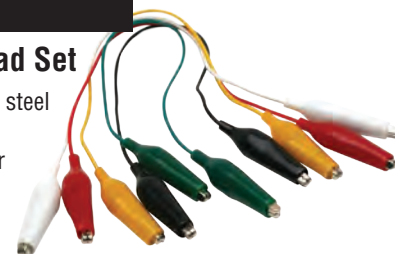
Insulated Alligator Lead Set

Material: Clip: nickel-plated steel with PVC insulators; Hook-up Wire: #22 (19/34) AWG copper with 105°C PVC insulation

Length: 12" (.3m)

Colors: Includes 1 each: Black, Red, Yellow, Green, White

Rating: Hands free testing at 300V, 7 Amp



Model # WI-M-18-*

Ultra-Flex Test Lead Wires

Material: Wire: #18 AWG, silicone

***Std. Colors:** -0 Black, -2 Red, -4 Yellow, -5 Green, -6 Blue, -9 White

Rating: 3kV, 22 Amp



Model # BU-00287

Insulated Alligator Lead Set

Material: Clip: nickel-plated steel with PVC insulators; Hook-up Wire: #22 (19/34) AWG copper with 105°C PVC insulation

Length: 12" (.3m)

Colors: Includes 2 each: Black, Red, Yellow, Green, White

Rating: Hands free testing at 300V, 7 Amp



TEST LEADS & PATCH CORDS



BU-2323-10--***

45 Amp Coolflex45 Test Lead – Stackable, Retractable 4mm Banana Plug on both Ends

Clear retractable banana sheath provides electrical protection when cable is not mounted and slides away when used with jacks that do not accommodate shrouded bananas.

Material: Banana housing is nylon and contacts are beryllium copper; Wire is 10 AWG with a highly flexible silicone jacket.

****Length:** 36" (.9m), 60" (1.5m)

***Std Colors:** -0 Black, -2 Red

Ratings: 600V, 45 Amps



WI-M-10--***

45 Amp Coolflex45 Test Lead Wire

Material: 10 AWG, Silicone Jacket

****Length:** 10' (3 m), 50' (15.2m)

***Std Colors:** -0 Black, -2 Red

Ratings: 600V, 45 Amps



Model # AI-000404--***

Fused Test Lead with Stackable, Shrouded 4mm Banana Plugs

Material: Housing: Polypropylene
Contacts: Nickel Plated Beryllium Copper. Wire: 18 AWG silicon jacket test lead wire

****Length:** -24 (.6m), -36 (.9m)

***Std Colors:**-0 Black, -2 Red

Ratings: Hands free testing to 1000 Volts, 20 Amps



Model # BU-1170-C--***

Mini Plunger to Stackable Dual 4mm Banana plug

Material: Housing: Polypropylene
Contacts: Nickel Plated Beryllium copper. Coax: RG 58 Wire: 20 AWG PVC jacket wire

****Length:** -24 (.6m), -36 (.9m)

***Std Colors:**-0 Black, -2 Red

Ratings: Hands free testing to 1000 Volts, 20 Amps



Model # BU-P1081--***

Mini Stackable 3mm Banana Test lead

Material: Housing: Polypropylene
Contacts: Nickel Plated Beryllium Copper
Wire: 20 AWG PVC jacket wire

****Length:** -12 (.3m), -24 (.6m), -36 (.9m)

***Std Colors:**-0 Black, -2 Red, -4 Yellow

Ratings: Hands free testing to 3000 VRMS, 5 Amps



Model # BU-7042-F-48-*

Dual Tip Test Probe to Stackable, Dual Banana Plug

The tip of this probe has spring loaded pogo pins which are spaced at .124" (3.15mm) The connecting cable is RG 174 and is 48" (1.2 meters) long.

Material: Probe housing: Nylon
Banana housing: Polypropylene
Contacts: Gold plated Beryllium Copper

***Std Colors:** -0 Black, -2 Red

Ratings: 50 ohms impedance, 30 volts, 3 Amps





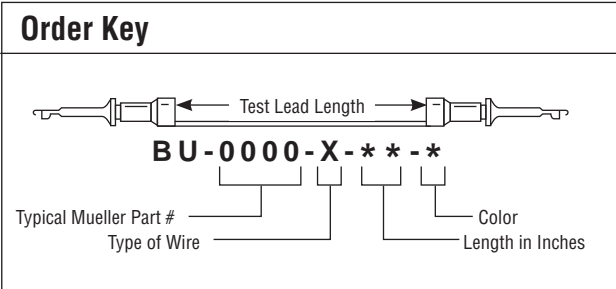
COAXIAL CABLE ASSEMBLIES

Mueller's coaxial cables and fully insulated BNC receptacles provide an additional margin of safety in connecting to instrumentation such as oscilloscopes, voltmeters, and network analyzers. Our BNC breakout test leads offer a wide variety of connector and clip combinations to meet your testing and connection needs.

Color Key		
0 Black	2 Red	4 Yellow
5 Green	6 Blue	9 White

Available Test Lead Lengths		
6"	12"	24"
36"	48"	60"

Coaxial Cables	
Rating	
B	RG-58C/U
C	RG-58C/U connected to 20AWG with Y-block
F	RG-174C/U
L	Twisted Pair Cable



BU-P2249-C-**-*

RG58 Coax Test Lead, Male BNC's with Strain relief on each end

Material: BNC Connectors; tarnish resistant, nickel plated brass with gold plated brass; RG58 Cable; non-contaminating PVC; Strain relief; Molded flexible PVC.

****Length:** 6" (.1 m), 12" (.3m), 24" (.6m), 36" (.9m), 48" (1.2m), 60" (1.5m), 72" (1.8m), 120" (3m), 180" (4.6m), 240" (6m), 300" (7.6m), 600" (15.2m)

Ratings: 50 Ohms impedance, Hands free testing to 500 VRMS



BU-P5697-**-*

RG58 Coax Test Lead, Male BNC's on each end

Material: BNC Connectors; tarnish resistant, nickel plated brass with gold plated brass; RG58 Cable; non-contaminating PVC

****Length:** 6" (.1 m), 12" (.3m), 24" (.6m), 36" (.9m), 48" (1.2m), 60" (1.5m), 72" (1.8m), 120" (3m), 180" (4.6m), 240" (6m), 300" (7.6m), 600" (15.2m)

Ratings: 50 Ohms impedance, Hands free testing to 500 VRMS



Model# BU-5070-B-**-0

BNC Male to Stackable Double Banana Plug

Material: BNC Male Connector: gold-plated center contact, silver-plated body; (MIL-C-39012); Double Banana Plug: Polypropylene housing, brass body and beryllium copper, nickel-plated, nine-leaf cage spring; Coaxial Cable: shielded RG58C/U, MIL-C-17F, 50 ohm

****Length:** -12" (.3m), 24" (.6m), 36" (.9m), 48" (1.2m), 60" (1.5m)

Rating: Hands free testing at 500 VRMS on center conductor



Model# BU-5030-C-**-0

Insulated Alligator Clips to BNC Male With RG58

Material: BNC Male Connector: gold-plated center contact, silver-plated body; (MIL-C-39012); Insulated Alligator Clips: Polypropylene housing, brass body and beryllium copper, nickel-plated, nine-leaf cage spring; Coaxial Cable: shielded RG58C/U, MIL-C-17F, 50 ohm

****Length:** -12" (.3m), 24" (.6m), 36" (.9m), 48" (1.2m), 60" (1.5m)

Rating: Hands free testing at 500 VRMS on center conductor



COAXIAL CABLE ASSEMBLIES



COAXIAL CABLE ASSEMBLIES

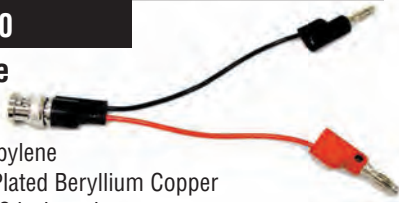


Model # BU-5120-A-4-0

Male BNC to Stackable 4mm Banana Plugs

Material: Housing: Polypropylene
 Contacts: Nickel Plated Beryllium Copper
 Wire: 20 AWG PVC jacket wire

Ratings: Hands free testing to 300 VRMS, 5 Amps



Model# BU-5330-F-**-0

Insulated Alligator Clips to BNC Male With RG174

Material: Alligator Clip: nickel-plated steel with PVC insulator; BNC Male Connector: MIL-C-39012, gold-plated center contact and silver-plated body (RG174/U BNC is a commercial connector with nickel-plated body); Coaxial Cable: shielded RG58C/U, MIL-C-17F, 50 ohm or shielded RG174/U, MIL-C-17D, 50 ohm

****Length:** -12" (.3m), 24" (.6m), 36" (.9m), 48" (1.2m), 60" (1.5m)

Rating: Hands free testing at 300 VRMS on center conductor



Model # BU-5220-A-4-0

Female BNC to Stackable 4mm Banana Plugs

Material: Housing: polypropylene
 Contacts: nickel plated beryllium copper
 Wire: 20 AWG PVC jacket wire

Ratings: Hands free testing to 300 VRMS, 5 Amps



Model# BU-5100-A-4-0

BNC Male Breakout to Tinned End Wires

Material: BNC Male Connector: quality tarnish-resistant, plated brass with a gold-plated brass center contact, ABS housing; Hook-up Wire: #20 AWG (41/36) tinned copper with 105°C PVC insulation

Rating: Hands free testing at 300 VRMS on center conductor



COAXIAL CABLE ASSEMBLIES

Model # BU-5214-A-4-0

BNC Female Breakout to Mini-Micro Grabbers

Material: Housing: Polypropylen
 Contacts: Nickel Plated Beryllium Copper
 Wire: 20 AWG PVC jacket wire

Ratings: Hands free testing to 150 VRMS, 5 Amps

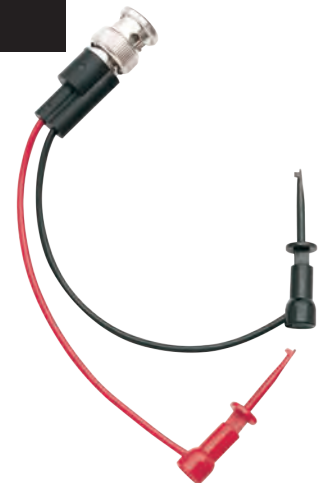


Model# BU-5114-A-4-0

BNC Male Breakout to Mini-Micro-Grabbers

Material: Housing: Polypropylene
 Contacts: Nickel Plated Beryllium Copper. Wire: 20 AWG PVC jacket wire

Rating: Hands free testing at 150 VRMS, 5 Amp



Mueller DMM kits are designed for compatibility with Fluke, Agilent, Tektronix, and other DMM manufacturers. Reference page 28 for a Meter-Mate™ meter-to-accessory cross-reference table.

DIGITAL MULTIMETER KITS

400002

(34000 Series Bench DMM Meter Mate Kit)

34000 Series Bench DMM's Meter Mate Kit has compatible replacement leads for all Agilent 34000 Series digital multimeters.

QTY	P/N	DESCRIPTION
1	PM-50000	Blue tri-fold bag
1	Box 3	Retail Packaging Box
1	PM-1000	Compatibility Label
1	BU-6162-M-60-0	TL, banana-to-right angle banana, silicone, 60", 1kV, 20 Amp, black
1	BU-6162-M-60-2	TL, banana-to-right angle banana, silicone, 60", 1kV, 20 Amp, red
1	BU-26106-0	Test Probe, banana, 1kV, 20 Amp, black
1	BU-26106-2	Test Probe, banana, 1kV, 20 Amp, red
1	BU-65-0	Clip, insulated, banana, 1kV, 30 Amp, black
1	BU-65-2	Clip, insulated, banana, 1kV, 30 Amp, red
1	BU-20431-0	Insulated plunger hook, mini grip, 1kV, 3 Amp, black
1	BU-20431-2	Insulated plunger hook, mini grip, 1kV, 3 Amp, red
1	BU-00207-0	Threaded plunger, 1kV, 15 Amps, black
1	BU-00207-2	Threaded plunger, 1kV, 15 Amps, red
1	BU-26130-0	Ultra Tech Test Prod, 1kV, 15 Amp, black
1	BU-26130-2	Ultra Tech Test Prod, 1kV, 15 Amp, red
1	BU-30212-0	Insulated spade lug, black
1	BU-30212-2	Insulated spade lug, red
1	BU-32101-0	Banana Adapter, 1kV, 15 Amp, black
1	BU-32101-2	Banana Adapter, 1kV, 15 Amp, red



400003

(Fluke Replacement Electrical DMM Meter Mate Kit)

Electrical DMM Test Lead Kit offers a complete assortment of modular test leads and probes compatible with all Fluke DMMs.

QTY	P/N	DESCRIPTION
1	PM-1015	Poly Bag 6.5x11.5, Vinyl
1	Box 4	Retail Packaging Box
1	PM-1000	Compatibility Label
1	BU-6162-M-48-0	TL, banana-to-right angle banana, silicone, 48", black
1	BU-6162-M-48-2	TL, banana-to-right angle banana, silicone, 48", red
1	BU-26103-0	Test Probe, banana, 1000V, IEC Cat III, black
1	BU-26103-2	Test Probe, banana, 1000V, IEC Cat III, red
1	BU-656-2	Safety Clip, insulated, banana, red
1	BU-20434-0	Insulated plunger jaw clip, black
1	BU-20434-2	Insulated plunger jaw clip, red
1	BU-20431-0	Insulated plunger hook, mini grip, black
1	BU-20431-2	Insulated plunger hook, mini grip, red
1	BU-30212-0	Insulated spade lug, black
1	BU-30212-2	Insulated spade lug, red
1	BU-32101-0	Banana Adapter, 1kV, 15 Amp, black
1	BU-32101-2	Banana Adapter, 1kV, 15 Amp, red

DIGITAL MULTIMETER KITS



400000 (Fluke Replacement Industrial/Automotive DMM Meter Mate Kit)

Automotive/Industrial DMM Test Lead Kit offers modular test probes and leads compatible with all Fluke DMMs.

QTY	P/N	DESCRIPTION
1	PM-50000	Blue tri-fold bag
1	Box 1	Retail Packaging Box
1	PM-1000	Compatibility Label
1	BU-6162-M-39-0	TL, banana-to-right angle banana, silicone, 39", 1kV, 20 Amp, black
1	BU-6162-M-39-2	TL, banana-to-right angle banana, silicone, 39", 1kV, 20 Amp, red
1	BU-26103-0	Test Probe, banana, 1kV, IEC Cat III, black
1	BU-26103-2	Test Probe, banana, 1kV, IEC Cat III, red
1	BU-65-0	Clip, insulated, banana, 1kV, 30 Amp black
1	BU-65-2	Clip, insulated, banana, 1kV, 30 Amp red
1	BU-20433-0	Insulated plunger, mini grip, 1kV, 1 Amp, black
1	BU-20433-2	Insulated plunger, mini grip, 1kV, 1 Amp, red
1	JP-491-0	Back probe, small, 20 Amp, black
1	JP-491-2	Back probe, small, 20 Amp, red
1	JP-591-0	Back probe, large, 20 Amp, black
1	JP-591-2	Back probe, large, 20 Amp, red
1	JP-8078-J-C0	Insulation piercing clip with black boot
1	JP-8078-J-C2	Insulation piercing clip with red boot

KT-MS004 (Basic Micro-scale Test Kit)

KT-MS003 (Basic Micro-scale Test Kit, accessories only)

KT-MS003 includes all of the below accessories without the 48" test leads.

QTY	P/N	DESCRIPTION
2	BU-2241-D-48-*	TL, multi-feature test prod to right angle shrouded banana, 48", 1 red, 1 black
2	MS201-*	Needle Pin, 1 red, 1 black
2	MS202-*	Alligator Clip, 1 red, 1 black
2	MS203-*	Micro-plunger Clip, 1 red, 1 black
2	MS208-*	Nano-plunger Clip, 1 red, 1 black
2	MS200-*	Breadboard Pin, 1 red, 1 black
2	MS205-*	Pin Socket, 1 red, 1 black
1	MS207	Carrying pouch



KT-MS002 (Deluxe Micro-scale Test Kit)

KT-MS001 (Deluxe Micro-scale Test Kit, accessories only)

Micro-scale Test Kit accessories are designed to attach to industry standard multimeter test probes or prods. These accessories allow convenient and safe testing on breadboards or printed circuit boards.

QTY	P/N	DESCRIPTION
2	BU-2241-D-48-*	TL, multi-feature test prod to right angle shrouded banana, 48", 1 red, 1 black
2	MS201-*	Needle Pin, 1 red, 1 black
2	MS202-*	Alligator Clip, 1 red, 1 black
2	MS203-*	Micro-plunger Clip, 1 red, 1 black
2	MS208-*	Nano-plunger Clip, 1 red, 1 black
2	MS200-*	Breadboard Pin, 1 red, 1 black
2	MS205-*	Pin Socket, 1 red, 1 black
1	MS207	Carrying pouch



CROSS REFERENCE



Mueller Test Lead	Manufacturer & Meter Model	Mueller Test Lead	Manufacturer & Meter Model	Mueller Test Lead	Manufacturer & Meter Model
	ALFA ELECTRONICS		BECKMAN		ECG
400000	DMM-175A, DMM-2360,	400000	TECH-300, TECH-310, 310B,	400000	AM-20, FET-43, DM-74,
400002	LCR-195, LCR-814, 7705	400002	310UL, 310T, 320, 320B, 330,	400002	DM-76,
400003		400003	350, 360, 3000, 3010, 3010B,	400003	DM-300, DM-310, DM-410,
BU-2241-D-48-*		BU-4061-M-39-*	3020, 3020UL, 3030, 3050,	BU-2241-D-48-*	DM-78, DM-305
BU-4062-M-39-*		BU-6161-M-39-*	4410, DM40, DM45, HD100,	BU-4062-M-39-*	
BU-6162-M-39-*		KT-MS002	HD11, HD110T, HD130	BU-6162-M-39-*	
KT-MS002				KT-MS002	
	A. W. SPERRY	BU-2241-D-48-*	HD151, HD152, HD153, 222,		ELENCO
400000	DP-300, DP-306, DP-310,	BU-4062-M-39-*	223, RMS225	400000	M-1400, CM-1500A, CM-
400002	DP-316, EZ-6100, EZ-6110,	BU-6162-M-39-*		400002	1550,
400003	EZ-6200, EZ-6220, SP-160,			400003	M-1600, M-1650, M-5000
BU-2641-D-48-*	SP-170, SP-250, SP-1000F	BU-2741-D-48-*	DM15, DM20, DM25, DM77,	BU-2741-D-48-*	
KT-MS002			TECH-300, TECH-310, 310UL,	KT-MS002	
			320B, 330, 800, 850, DL243A,		
BU-4061-M-39-*	DM-3010		3000, 3010, 3010B, 3010UL,	BU-4061-M-39-*	M-3500, M-4500
BU-6161-M-39-*			3020, 3020B, 3020U; 3030	BU-6161-M-39-*	
			(BEFORE 8/1/83)		
	AMERICAN RELIANCE	BU-2241-D-48-*	DMSLX, DM10XL, DM15XL	BU-2241-D-48-*	LC-1800, M-2600, M-2650,
400000	AR-120, AR-140, AR-	BU-4062-M-39-*		BU-4062-M-39-*	M-2661, M-2671,
400002	130A/B, AR-160H, AR-	BU-6162-M-39-*		BU-6162-M-39-*	M-2680, M-2690, M-7000
400003	170NL,	KT-MS002			
BU-2741-D-48-*	AR-180T, AR230S, AR-				EMCO
BU-4061-M-39-*	260CP, AR-280CA, AR-			400000	ACM-3A, DCM-1A, DM-
BU-6161-M-39-*	690LP,			400002	3650B, DMR-26, FD-81T,
KT-MS002	AR-270NL, AR-700T			400003	FD-91T,
				BU-2241-D-48-*	FD-95AR, FD-100TC,
BU-2241-D-48-*	AR-3200			BU-4062-M-39-*	FDA-50
BU-4062-M-39-*				BU-6162-M-39-*	
BU-6162-M-39-*				KT-MS002	
	AMPROBE	BU-2241-D-48-*	AA300, DM20S, DM30S,	BU-2741-D-48-*	F-72, MT-2
400000	AM-1A, AM-2A, AM-2B,	BU-4062-M-39-*	DM3000, DM3050,		EXTECH
400002	AM2DP, BDP,	BU-6162-M-39-*	DM3100, DM3200,		
400003	AM-3B, AM-5, AM-6		DM4100, DM4700,		
BU-2741-D-48-*			DM5050C, DM5100		
KT-MS002					
BU-4061-M-39-*	AM-4B, AM-6A			400000	D380196, D380198,
BU-6161-M-39-*				400002	D380285, D380501,
				400003	D380487, D380602
BU-2241-D-48-*	ACD-10, ACD-11, AM-1E,			BU-2241-D-48-*	10, 11, 12, 21-II, 23-II, 25,
BU-4062-M-39-*	AM-2E, AM-2EDP, AM-			BU-4062-M-39-*	27, 29-II, 37, 45, 70-II, 73-
BU-6162-M-39-*	3E, AM-1200, AM-1250,			BU-6162-M-39-*	II, 75-II, 76, 77-II, 79-II, 83,
	AM-1260, AM-1280, AM-			KT-MS002	85, 87, 863, 865, 8060A,
	4A, AM-2BB, AM-2BBDP,				8062A
	AM-4				
	ARTISTA			BU-2741-D-48-*	D38091, D380165,
400000	70-459, 70-463, 70-480,				D380166, D380168,
400002	70-485, 70-490				D380652
400003					FLUKE
BU-2641-D-48-*					
KT-MS002					
	B & K PRECISION			400000	D800, D802, D804, 8020A,
400000	114, 214, 227, 283, 290,			400002	8020B, 8021B, 8022A, 8022B,
400002	530, 810A, 820, 830, 2801,			400003	8024A, 8024B, 8026B, 8050A
400003	2805, 2830, 2831, 2831A			BU-4061-M-39-*	
BU-2641-D-48-*				BU-6161-M-39-*	
KT-MS002				KT-MS002	
BU-4061-M-39-*	340A, 350, 2608, 2807,			BU-2641-D-48-*	334, D810, D811, 8000A,
BU-6161-M-39-*	2816, 2817, 2818, 2820,				8010A, 8012A, 8030A, 8040A,
	2832, 2833, 2834, 2845,				8125A, 8200A, 8291A, 8300A,
	LA1000				8375A, 8400A, 8500A, 8502A,
					8520A, 8522A, 8600A, 8800A,
					8810A
BU-2741-D-48-*	111, 114, 116, 117, 214,				
	2703, 2704, 2800, 2810,				
	2815, 815, 875A, 878				
BU-2241-D-48-*	388-HD, 810A, 875A, 2911,			BU-2241-D-48-*	10, 11, 12, 21-II, 23-II, 25,
BU-4062-M-39-*	2912, 2940, 2945, 2960,			BU-4062-M-39-*	27, 29-II, 37, 45, 70-II, 73-II,
BU-6162-M-39-*	2860			BU-6162-M-39-*	75-II, 76, 77-II, 79-II, 83, 85,
					87, 863, 865, 8060A, 8062A



CROSS REFERENCE

Mueller Test Lead	Manufacturer & Meter Model	Mueller Test Lead	Manufacturer & Meter Model	Mueller Test Lead	Manufacturer & Meter Model
	FOTEC		HITACHI		METEX
400000 400002 400003 BU-4061-M-39-* BU-6161-M-39-* KT-MS002	M-100, M-110	400000 400002 400003 BU-2241-D-48-* BU-4062-M-39-* BU-6162-M-39-* KT-MS002	VR-3510, VR-3525, VR-3550	400000 400002 400003 BU-2241-D-48-* BU-4062-M-39-* BU-6162-M-39-* KT-MS002	M80, M3610, M3610B, M3620, M3630B, M3630CR, M3650, M3650B, 3650CR, M3800, M3900TD, M4600, M4630, M4630B, M4630CR, M4650, M4650B, M4650CR
	G. C. ELECTRONICS		INSTEK		
400000 400002 400003 BU-2641-D-48-* KT-MS002	20-200, 20-207, 20-210	400000 400002 400003 BU-2241-D-48-* BU-4062-M-39-* BU-6162-M-39-* KT-MS002	DM-351, BM-352, DM-391, DM-392, DM-393	BU-2641-D-48-*	M200, M300, M400, M500, GL-20
	GOLDSTAR		ITT METRIX		MITCHELL
400000 400002 400003 BU-2241-D-48-* BU-4062-M-39-* KT-MS002	DM-6335, DM-7143, DM-7333, DM-8135, DM-8243, DM-8433, DM-9183	400000 400002 400003 BU-4061-M-39-* BU-6161-M-39-* KT-MS002	MX-522, MX-562, MX-563, MX-575	400000 400002 400003 BU-2241-D-48-* BU-4062-M-39-* BU-6162-M-39-* BU-4061-M-39-* BU-6161-M-39-* KT-MS002	DSA2003, 3104
BU-6162-M-39-*	DM-6335, DM-7143, DM-7333, DM-8135, DM-8243, DM-8433, DM-9183			BU-2741-D-48-*	DC801, FT303TR, FT602B, TCYF1075, TC4055, 1800A
BU-2241-D-48-0* BU-4062-M-39-* BU-6162-M-39-*	65-260, 65-261, 65-264, 65-265	400000 400002 400003 BU-2641-D-48-* KT-MS002	KEITHLEY	BU-4061-M-39-* BU-6161-M-39-*	TCMIT166
BU-2031-A-00-*	DM-9055S		128, 130, 130A, 131, 132C, 132F, 135, 135A, 169, 176, 177, 179A, 181, 191, 192, 195	BU-4061-M-39-* BU-6161-M-39-*	YF1030C, YF3000, 7905A
	HEWLETT PACKARD		KELVIN		MODUTEC
400000 400002 400003 BU-2641-D-48-* KT-MS002	3468A	400000 400002 400003 BU-2241-D-48-* BU-4062-M-39-* BU-6162-M-39-* KT-MS002	92, 93, 94, 95, 100, 150, 200, PRO-400	400000 400002 400003 BU-2641-D-48-* KT-MS002	ACT-25, ACT-30, ACT-50, ACT-100, BT-22, CT-300, CT-600, CT-1200, MO-20KT, MO-2K
BU-2241-D-48-* BU-4062-M-39-* BU-6162-M-39-*	HP-970, HP-971A, HP-972A, HP-973A, HP-974A, HPE2373A, HPE2377A, HPE2378A		KINGDOM (KDE)		NON-LINEAR SYSTEMS
	HICKOCK	400000 400002 400003 BU-2641-D-48-* KT-MS002	ETC-2000, ETC-2050, ETC-5000T, ETU-200, ETU-202, ETU-500, ETU-2050, ETU-3000, ETU-5000, ETU-5001, KD-25C, KD-30C, KD-55C, KD-300, KD-305, KD-600, KD-605, KD-615	400000 400002 400003 BU-2641-D-48-* KT-MS002	TT-20
400000 400002 400003 BU-2641-D-48-* KT-MS002	LX303, LX304, LX306	BU-2241-D-48-* BU-4062-M-39-* BU-6162-M-39-*	KD-508	BU-2641-D-48-*	NORTH AMERICAN SOAR
BU-4061-M-39-* BU-6161-M-39-*	MX331, MX333				3025, 3030, 3050, 5025, 5030
	HIOKI		MERCER		
400000 400002 400003 BU-2741-D-48-* KT-MS002	3011, 3212	400000 400002 400003 BU-2241-D-48-* BU-4062-M-39-* BU-6162-M-39-* KT-MS002	9301, 9340, 9370, 9401, 9670	400000 400002 400003 BU-2641-D-48-*	8010, 8025, 8050, 8090, TC-202, ME-530, ME-540, ME-550, SX-220
BU-2241-D-48-* BU-4062-M-39-* BU-6162-M-39-*	M-7000, LC-1800				NORMA
					D-1150, D-1218, DA-1737, MD-11, MD-12, MD-13, MD-14, BU-4061-C-24-*

CROSS REFERENCE



CROSS REFERENCE

Mueller Test Lead	Manufacturer & Meter Model	Mueller Test Lead	Manufacturer & Meter Model	Mueller Test Lead	Manufacturer & Meter Model
	OMEGA		SPECO		UNIVOLT
400000 400002 400003 BU-2741-D-48-* KT-MS002	HHM55, HHM57	400000 400002 400003 BU-2641-D-48-* KT-MS002	FD-80, FD-90	400000 400002 400003 BU-2241-D-48-* BU-4062-M-39-* BU-6162-M-39-* KT-MS002	DT810, DT820, DT830
	PHILMETRIC		TRIPLETT		VALHALLA SCIENTIFIC
400000 400002 400003 BU-2741-D-48-* KT-MS002	MD100	400000 400002 400003 BU-2641-D-48-* KT-MS002	320-G/P, 330-G/P, 340-G/P, 350-G/P, 360-G/P, 603 TYPE 2, 615, 630APL TYPE 5, 630APLK TYPE 5, 630NA TYPE 4, 630NS TYPE 3, 630PL TYPE 5, 630PLK TYPE 7, 666R TYPE 2	400000 400002 400003 BU-2641-D-48-* KT-MS002	3301, 3302, 4400, 4500
BU-2241-D-48-* BU-4062-M-39-* BU-6162-M-39-*	MD150	BU-4061-M-39-* BU-6161-M-39-* BU-2241-D-48-* BU-4062-M-39-* BU-6162-M-39-*	2, 40, 42, C45, 50, 1101, 3500, 3550, 4404, 4700, 4750, 4800, 6800 SERIES, 6810 SERIES		VIZ
	PROTEK			400000 400002 400003 BU-2241-D-48-* BU-4062-M-39-* BU-6162-M-39-* KT-MS002	WD-747, WD-750A, WD-753, WD-758, WD-759, WD-760, WD-761, WD-762, WD-763, WV-516B, WV-517B, WV-518B, WV-519C, WV-520B, WV-526B, WV-531A, WV-547B, WV-547C, WV-547D, WV-590, WV-591
400000 400002 400003 BU-2241-D-48-* BU-4062-M-39-* BU-6162-M-39-* KT-MS002	A-403, 504, 505, 506, B-797, B-845, CM-108, D-902, D-906, D-910F, D-927, D-935A, D-937, D-945, D-981, D-982, D-4500E, DI-2000M, TM-1300K	BU-4061-M-39-* BU-6161-M-39-* BU-2241-D-48-* BU-4062-M-39-* BU-6162-M-39-*	3350, 3360, (3525, 3526 BLACK ONLY) 3525A	BU-2241-D-48-* BU-4062-M-39-* KT-MS002	
BU-2241-D-48-* BU-4062-M-39-* BU-6162-M-39-*	A-400, A-423, A-445, A-450, A-480B, A-2500I, A-4205, D-640AB		TEKTRONIX		WAVETEK
	RACAL-DANA			400000 400002 400003 BU-2241-D-48-* KT-MS002	AC30A, HD100, HD110, HD110T, HD103B, HD140B, HD160, 2010, 2020, 2030, RMS225, 300A, 310B, 320B, 330B, 850, DM5XL, DM10XL, DM15XL, DM23XT, DM25XT, DM27XT, DM153, CDM600, 4410B, CM20A, LM22A
400000 400002 400003 BU-2741-D-48-* KT-MS002	4001, 4002, 4002A, 4003, 4004, 4005, 5000, 5001, 5003, 5004, 5005, 5006, 5900, 5940, 6000, 6001, 6002, 6900	400000 400002 400003 BU-2641-D-48-* KT-MS002	DMM250, DMM353	BU-2641-D-48-* KT-MS002	DM5XL, DM10XL, DM15XL, DM27XT
	SIMPSON				WESTON
400000 400002 400003 BU-2741-D-48-* KT-MS002	202, 208, 209, 229-2, 250, 255, 260, 260-8Xi, 260-6XL, 261, 262-3, 263, 265, 267, 268, 269-2, 269-3, 270- (1,2,3,4), 360, 362-2, 370 to 377, 460, 464, 465, 605-2, TS111-3	400000 400002 400003 BU-2641-D-48-* KT-MS002	DM25, DM100, M75, M110	400000 400002 400003 BU-2641-D-48-* KT-MS002	660, 661, 662, 663, 6000, 6100, 7060 A /C / G 6402, 6404, 6502, 6504, 7130, 7135, 7141, 7145, 7310, 7320
BU-4061-M-39-* BU-6161-M-39-* BU-6162-M-39-*	487, 488				

Custom Manufacturing

In addition to the products found in our catalog, we manufacture a large variety of custom leads and interconnects for original equipment manufacturers. Our engineering staff continues to develop new answers for tomorrow's most complex requirements. We design to international standards, written specifications or your application specific requirements. Core capabilities include thermo-plastic injection molding, automatic assembly and stamping.



PACKAGED PARTS

Mueller offers standard point of purchase products. Standard packaged part numbers are listed below. Custom configurations are available upon request. Packages can include bar codes, custom logos and variable text.

Packaged Part #	Contains Bulk Part #'s	Packaged Part #	Contains Bulk Part #'s	Packaged Part #	Contains Bulk Part #'s
010000	(1) BU-21APN, (1) BU-21APS, (1) BU-23-0, (1) BU-23-2	080000	(1) BU-1010-A-36-0	080055	(1) BU-1481-E-12-0
010001	(1) BU-24APS, (1) BU-24APN, (1) BU-26-0, (1) BU-26-2	080001	(1) BU-1010-A-36-2	080056	(1) BU-1481-E-12-2
010002	(1) BU-75K	080002	(1) BU-1031-A-36-0	080057	(1) BU-5330-F-36-0
010003	(2) BU-27, (1) BU-29-0, (1) BU-29-2	080003	(1) BU-1031-A-36-2	080058	(1) BU-3056-C-36-0
010004	(4) BU-30, (2) BU-32-0, (2) BU-32-2	080004	(1) BU-1111-A-36-0	080059	(1) BU-5331-F-36-0
010005	(4) BU-30C, (2) BU-32-0, (2) BU-32-2	080005	(1) BU-1111-A-36-2	080060	(1) BU-3156-C-36-0
010006	(4) BU-34, (2) BU-36-0, (2) BU-36-2	080006	(1) BU-1120-A-36-0	080061	(1) BU-3180-E-12-0
010007	(4) BU-34C, (2) BU-36-0, (2) BU-36-2	080007	(1) BU-1120-A-36-2	080062	(1) BU-3180-E-12-2
010008	(4) BU-45, (2) BU-47-0, (2) BU-47-2	080008	(1) BU-1121-A-36-0	080063	(1) BU-4444-A-36-0
010009	(2) BU-48B, (1) BU-49-0, (1) BU-49-2	080009	(1) BU-1121-A-36-2	080064	(1) BU-4444-A-36-2
010010	(2) BU-50C, (1) BU-49-0, (1) BU-49-2	080010	(1) BU-1149-A-36-0	080065	(1) BU-3070-F-36-0
010011	(2) BU-60CHS-0, (2) BU-60CHS-2	080011	(1) BU-1149-A-36-2	080066	(1) BU-5100-A-4-0
010012	(4) BU-60CS, (2) BU-62-0, (2) BU-62-2	080012	(1) BU-1150-C-36-0	080067	(1) BU-5114-A-4-0
010013	(2) BU-60HS-0, (2) BU-60HS-2	080013	(1) BU-1170-C-36-0	080068	(1) BU-5120-A-4-0
010014	(4) BU-60S, (2) BU-62-0, (2) BU-62-2	080014	(1) BU-1414-E-36-0	080069	(1) BU-5131-A-4-0
010015	(4) BU-85, (2) BU-87-0, (2) BU-87-2	080015	(1) BU-1414-E-36-2	080070	(1) BU-5144-A-4-0
010016	(2) BU-63-0, (2) BU-63-2	080016	(1) BU-1420-A-36-0	080071	(1) BU-5200-A-4-0
010017	(10) BU-30	080017	(1) BU-1420-A-36-2	080072	(1) BU-5214-A-4-0
010018	(10) BU-30C	080018	(1) BU-2020-A-36-0	080073	(1) BU-5220-A-4-0
010019	(10) BU-34	080019	(1) BU-2020-A-36-2	080074	(1) BU-5231-A-4-0
010020	(10) BU-34C	080020	(1) BU-2030-A-36-0	080075	(1) BU-5244-A-4-0
010021	(6) BU-45	080021	(1) BU-2030-A-36-2	080076	(1) BU-5659-B-36-0
010022	(6) BU-48B	080022	(1) BU-2031-A-36-0	080077	(1) BU-1111-A-12-0
010023	(6) BU-55	080023	(1) BU-2031-A-36-2	080078	(1) BU-1111-A-12-2
010024	(6) BU-60CS	080024	(1) BU-2929-M-10-0	080079	(1) BU-1111-A-24-0
010025	(6) BU-60S	080025	(1) BU-2929-M-10-2	080080	(1) BU-1111-A-24-2
010026	(6) BU-70S	080026	(1) BU-2929-M-20-0	080081	(1) BU-1111-A-48-0
010027	(6) BU-85	080027	(1) BU-2929-M-20-2	080082	(1) BU-1111-A-48-2
010028	(1) BU-21APN, (1) BU-21APS	080028	(1) BU-2929-M-39-0	080083	(1) BU-1111-A-60-0
010029	(1) BU-24APN, (1) BU-24APS	080029	(1) BU-2929-M-39-2	080084	(1) BU-1111-A-60-2
010030	(4) BU-27	080030	(1) BU-3030-A-36-0	080085	(1) BU-1120-A-12-0
010031	(1) BU-41A-0, (1) BU-41A-2	080031	(1) BU-3030-A-36-2	080086	(1) BU-1120-A-12-2
010032	(1) BU-46A-0, (1) BU-46A-2	080032	(1) BU-3070-C-36-0	080087	(1) BU-1120-A-24-0
010033	(1) BU-65-0, (1) BU-65-2	080033	(1) BU-3131-A-36-0	080088	(1) BU-1120-A-24-2
010034	(4) BU-30TBO	080034	(1) BU-3131-A-36-2	080089	(1) BU-1120-A-48-0
010035	(4) BU-60TBO	080035	(1) BU-5030-C-36-0	080090	(1) BU-1120-A-48-2
010036	(4) BU-30TBO, (2) BU-31-0, (2) BU-31-2	080036	(1) BU-5031-C-36-0	080091	(1) BU-1120-A-60-0
010037	(4) BU-60TBO, (2) BU-62-0, (2) BU-62-2	080037	(1) BU-5050-B-36-0	080092	(1) BU-1120-A-60-2
010038	(2) BU-27, (2) BU-48B, (1) BU-29-0, (1) BU-29-2, (1) BU-49-0, (1) BU-49-2	080038	(1) BU-5070-B-36-0	080093	(1) BU-1149-A-12-0
010039	(2) BU-27C, (2) BU-48C, (1) BU-29-0, (1) BU-29-2, (1) BU-49-0, (1) BU-49-2	080039	(1) BU-5656-B-36-0	080094	(1) BU-1149-A-12-2
010040	(2) BU-30, (2) BU-70, (1) BU-32-0, (1) BU-32-2, (1) BU-72-0, (1) BU-72-2	080040	(1) BU-5656-B-36-0	080095	(1) BU-1149-A-24-0
010041	(2) BU-30C, (2) BU-70C, (1) BU-32-0, (1) BU-32-2, (1) BU-72-0, (1) BU-72-2	080041	(1) BU-7070-B-36-0	080096	(1) BU-1149-A-24-2
010042	(2) BU-60S, (2) BU-48B, (2) BU-27, (2) BU-24APN	080042	(1) BU-8080-E-12-0	080097	(1) BU-1149-A-48-0
010043	(2) BU-61, (1) BU-62-0, (1) BU-62-2	080043	(1) BU-8080-E-12-2	080098	(1) BU-1149-A-48-2
010046	(1) BU-87-0, (1) BU-87-2	080044	(1) BU-1449-E-36-0, (1) BU-1449-E-36-2	080099	(1) BU-1149-A-60-0
010047	(2) BU-87-0, (2) BU-87-2	080045	(1) BU-1080-E-12-0	080100	(1) BU-1149-A-60-2
020001	(10) BU-60HPR-0	080046	(1) BU-1080-E-12-2	080101	(1) BU-1414-E-12-0
020002	(10) BU-60HPR-2	080047	(1) BU-1421-A-36-0	080102	(1) BU-1414-E-12-2
		080048	(1) BU-1421-A-36-2	080103	(1) BU-1414-E-48-0
		080049	(1) BU-1170-F-36-0	080104	(1) BU-1414-E-48-2
		080050	(1) BU-1153-F-36-0	080105	(1) BU-1420-A-12-0
		080051	(1) BU-1156-C-36-0	080106	(1) BU-1420-A-12-2
		080052	(1) BU-1450-C-36-0	080107	(1) BU-1450-C-12-0
		080053	(1) BU-1456-C-36-0	080108	(1) BU-2020-A-48-0
		080054	(1) BU-1480-E-12-0	080109	(1) BU-2020-A-48-2
			(1) BU-1480-E-12-2	080110	(1) BU-2020-A-60-0
				080111	(1) BU-2020-A-60-2

PACKAGED PARTS



PACKAGED PARTS

Mueller offers standard point of purchase products. Standard packaged part numbers are listed below. Custom configurations are available upon request. Packages can include bar codes, custom logos and variable text.

Packaged Part #	Contains Bulk Part #'s	Packaged Part #	Contains Bulk Part #'s	Packaged Part #	Contains Bulk Part #'s
080112	(1) BU-3030-A-12-0	110005	(2) BU-2641-D-48-*, (2) BU-62-*	150019	(1) BU-31101-0
080113	(1) BU-3030-A-12-2		(2) BU-60TBO, (2) BU-00230-*	150020	(1) BU-31101-2
080114	(1) BU-3030-A-48-0		(2) BU-00225-*, (2) BU-00207-*	150021	(1) BU-31102-0
080115	(1) BU-3030-A-48-2	110006	(2) BU-2141-D-48-*, (2) BU-62-*	150022	(1) BU-31102-2
080116	(1) BU-7070-B-12-0		(2) BU-60TBO, (2) BU-00230-*	150023	(1) BU-31602-0, (1) BU-31602-2
080117	(1) BU-7070-B-12-2		(2) BU-00225-*, (2) BU-00207-*	150024	(1) BU-31603-0, (1) BU-31603-2
080118	(1) BU-7070-B-24-2	110007	(1) BU-2141-D-48-0,	150025	(1) BU-31604-0, (1) BU-31604-2
080119	(1) BU-00285		(1) BU-2141-D-48-2	150026	(1) BU-31605-0, (1) BU-31605-2
080120	(1) BU-00286	110008	(1) BU-2143-D-48-0,	150027	(1) BU-31606-0, (1) BU-31606-2
080121	(1) BU-00287		(1) BU-2143-D-48-2	150028	(1) BU-32101-0, (1) BU-32101-2
090000	(1) M08SW	110009	(1) BU-2241-D-48-0,	150029	(2) BU-00248-0, (2) BU-00248-2
090001	(1) M10X1		(1) BU-2241-D-48-2	150030	(1) BU-00284-0, (1) BU-00284-2
090002	(1) M10X10	110010	(1) BU-2243-D-48-0,	150031	(1) BU-00263-0
090003	(1) M10SW		(1) BU-2243-D-48-2	150032	(2) BU-00234-0, (2) BU-00234-2
090004	(1) M10X100	110011	(1) BU-2641-D-48-0,	150033	(1) BU-26130-0, (1) BU-26130-2
090005	(1) M12X100		(1) BU-2641-D-48-2	150034	(1) BU-20431-0
090006	(1) M14X10	110012	(1) BU-2643-D-48-0,	150035	(1) BU-20431-2
090007	(1) M12X1		(1) BU-2643-D-48-2	150036	(1) BU-20432-0
090008	(1) M12X10	110013	(1) BU-2741-D-48-0,	150037	(1) BU-20432-2
090009	(1) M12SW		(1) BU-2741-D-48-2	150038	(1) BU-20433-0
100000	(1) BU-6161-M-39-0,	110014	(1) BU-2743-D-48-0,	150039	(1) BU-20433-2
	(1) BU-6161-M-39-2		(1) BU-2743-D-48-2	150040	(1) BU-20434-0
100001	(1) BU-6161-N-39-0,	110015	(1) BU-2841-D-48-0,	150041	(1) BU-20434-2
	(1) BU-6161-N-39-2		(1) BU-2841-D-48-2	150042	(1) BU-26101-0, (1) BU-26101-2
100002	(1) BU-6162-M-39-0,	110016	(1) BU-4641-D-48-0,	150043	(1) BU-26106-0, (1) BU-26106-2
	(1) BU-6162-M-39-2		(1) BU-4641-D-48-2	150044	(1) BU-32601-0, (1) BU-32601-2
100003	(1) BU-6162-N-39-0,	110017	(1) BU-6441-D-48-0,	150045	(2) BU-15-0
	(1) BU-6162-N-39-2		(1) BU-6441-D-48-2	150046	(2) BU-15-2
100004	(1) BU-4061-M-39-0,	110018	(2) BU-60TBO, (1) BU-4062-M-39-0,	150047	(1) JP-29491-2, (1) JP-29591-2
	(1) BU-4061-M-39-2		(1) BU-4062-M-39-2,	150048	(2) BU-31103-0
100005	(1) BU-4061-N-39-0,		(1) BU-62-0, (1) BU-62-2	150049	(2) BU-31103-2
	(1) BU-4061-N-39-2	110019	(1) BU-26101-0, (1) BU-26101-2,	150050	(4) BU-16-0
100006	(1) BU-4062-N-39-0,		(1) BU-6162-M-39-0, (1) BU-65-0,	150051	(4) BU-16-2
	(1) BU-4062-N-39-2		(1) BU-6162-M-39-2, (1) BU-65-2	150052	(1) BU-00247-2
100007	(1) BU-4062-M-39-0,	110020	(1) BU-26130-0, (1) BU-26130-2,	150053	(2) BU-60TBO, (2) BU-62-*,
	(1) BU-4062-M-39-2		(1) BU-6162-M-39-0,		(2) BU-00230-*, (2) BU-00225-*,
100008	(1) BU-6262-M-39-0,		(1) BU-6162-M-39-2		(2) BU-00207-*
	(1) BU-6262-M-39-2	150000	(4) BU-00232	180000	(10 FT) WI-M-18-0
100009	(1) BU-4162-M-48-0,	150001	(2) BU-00233-0, (2) BU-00233-2	180001	(10 FT) WI-M-18-2
	(1) BU-4162-M-48-2	150002	(4) BU-00241	180002	(10 FT) WI-M-20-0
100010	(1) BU-4162-N-48-0,	150003	(4) BU-00242	180003	(10 FT) WI-M-20-2
	(1) BU-4162-N-48-2	150004	(2) BU-00243-0, (2) BU-00243-2	180004	(10 FT) WI-M-22-0
110000	(2) BU-2841-D-48-*, (2) BU-60TBO,	150005	(2) BU-00244-0, (2) BU-00244-2	180005	(10 FT) WI-M-22-2
	(2) BU-62-*, (2) BU-00230-*,	150006	(2) BU-00245-0, (2) BU-00245-2	400000	Automotive Kit
	(2) BU-00225-*, (2) BU-00207-*	150007	(2) BU-00246-0, (2) BU-00246-2	400002	Electrical Kit
110001	(2) BU-4641-D-48-*, (2) BU-62-*	150008	(1) BU-00247-0	400003	Electronic Kit
	(2) BU-60TBO, (2) BU-00230-*	150009	(1) BU-00260		
	(2) BU-00225-*, (2) BU-00207-*	150010	(1) BU-00262-0		
110002	(2) BU-6441-D-48-*, (2) BU-62-*	150011	(1) BU-00283		
	(2) BU-60TBO, (2) BU-00230-*	150012	(1) BU-00261		
	(2) BU-00225-*, (2) BU-00207-*	150013	(1) BU-00281-0, (1) BU-00281-2		
110003	(2) BU-2741-D-48-*, (2) BU-62-*	150014	(1) BU-00282-0, (1) BU-00282-2		
	(2) BU-60TBO, (2) BU-00230-*	150015	(1) BU-00201-0, (1) BU-00201-2		
	(2) BU-00225-*, (2) BU-00207-*	150016	(1) BU-00202-0, (1) BU-00202-2		
110004	(2) BU-2241-D-48-*, (2) BU-62-*	150017	(1) BU-00203-0, (1) BU-00203-2		
	(2) BU-60TBO, (2) BU-00230-*	150018	(2) BU-00208-0, (2) BU-00208-2		
	(2) BU-00225-*, (2) BU-00207-*				

INDEX

ITEM	PAGE	ITEM	PAGE	ITEM	PAGE	ITEM	PAGE
400000.....	34	BU-2323-10-**-*	30	BU-48C.....	7	BU-P2142-*	18
400002.....	33	BU-24APN.....	8	BU-49-*	7	BU-P2143-*	18
400003.....	33	BU-24APS.....	8	BU-5030-C-**-0.....	31	BU-P2240-*	5
AI-000404-**-*	30	BU-25/BU-25C.....	8	BU-5070-B-**-0.....	31	BU-P2249-C-**-*	31
BU-00201-*	20	BU-26-*	8	BU-50C.....	7	BU-P2269.....	16
BU-00202-*	20	BU-26101-*	21	BU-5100-A-4-0.....	32	BU-P2451.....	22
BU-00203-*	20	BU-26106-*	21	BU-5114-A-4-0.....	32	BU-P2854-*	16
BU-00207-*	20	BU-26130-*	21	BU-5120-A-4-0.....	32	BU-P2970-*	16
BU-00208-*	20	BU-2641-D-48-*	26	BU-51C.....	7	BU-P3264.....	16
BU-00209-*	20	BU-27.....	7	BU-5214-A-4-0.....	32	BU-P3276.....	18
BU-00226-*	14	BU-2741-D-48-*	26	BU-5220-A-4-0.....	32	BU-P3283.....	22
BU-00233-*	19	BU-27C.....	7	BU-5330-F-**-0.....	32	BU-P3285.....	22
BU-00234-*	18	BU-27CG.....	8	BU-5454-B-**-0.....	31	BU-P3452.....	18
BU-00241.....	14	BU-27CGW.....	8	BU-55.....	6	BU-P3533.....	22
BU-00243-*	14	BU-29-*	8	BU-5555-B-**-0.....	32	BU-P3534.....	22
BU-00244-*	14	BU-2929-M-**-*	26	BU-5659-B-**-0.....	32	BU-P3542-*	18
BU-00245-*	14	BU-30.....	2	BU-58.....	10	BU-P3690-*	18
BU-00246-*	14	BU-30211.....	21	BU-60.....	3	BU-P3750-*	16
BU-00247-*	15	BU-3030-A-**-*	25	BU-60C.....	3	BU-P3770-*	16
BU-00249-*	14	BU-3030-C-24-*	28	BU-60CHS-*	4	BU-P3778.....	22
BU-00281-*	19	BU-3070-C-**-0.....	28	BU-60CS*	3	BU-P3791.....	23
BU-00282-*	19	BU-30BL.....	2	BU-60H-*	4	BU-P3839.....	22
BU-00283.....	19	BU-30C.....	2	BU-60HPR-*	4	BU-P3846.....	23
BU-00285.....	29	BU-30TBO.....	2	BU-60HS-*	4	BU-P4160.....	23
BU-00286.....	29	BU-30X.....	2	BU-60PR2.....	3	BU-P4289.....	23
BU-00287.....	29	BU-31-*	2	BU-60S.....	3	BU-P4290.....	23
BU-1010-A.....	24	BU-31104-*	17	BU-60TBO.....	3	BU-P4513.....	18
BU-102B-*	11	BU-3131-A-**-*	29	BU-60U.....	3	BU-P4543-*	18
BU-102BK-*	11	BU-31602-*	19	BU-60X.....	3	BU-P4578.....	23
BU-102W-*	11	BU-31603-*	19	BU-61.....	4	BU-P4911A-**-*	27
BU-1031-A-**-*	24	BU-31607-*	19	BU-6161-M-39-*	27	BU-P4911B-**-*	27
BU-108K.....	11	BU-31610-*	19	BU-6162-M-39-*	27	BU-P5145.....	17
BU-109-*	6	BU-32-*	2	BU-62-*	4	BU-P5167-*	17
BU-110-*	6	BU-32101-*	15	BU-63-*	4	BU-P5168-*	17
BU-1111-A.....	24	BU-32601-*	15	BU-63C-*	4	BU-P5169-*	17
BU-112-*	11	BU-32603-*	15	BU-65-*	6	BU-P5170-*	17
BU-1120-A-**-*	24	BU-32614-X.....	15	BU-651-*	5	BU-P5319.....	23
BU-1150-C-**-0.....	28	BU-33C.....	9	BU-652-*	6	BU-P5697-*	31
BU-11APN.....	9	BU-34.....	2	BU-70.....	5	BU-P6738.....	23
BU-11APS.....	9	BU-34C.....	2	BU-7014-B-**-*	27	BU-P72918.....	17
BU-11CPN.....	9	BU-34X.....	2	BU-7020-B-**-*	27	BU-P72973.....	23
BU-11CPS.....	9	BU-35-*	9	BU-7031-B-**-*	27	BU-P72981.....	23
BU-1212-A.....	24	BU-36-*	3	BU-7042-F-48-*	30	BU-PMDP-*	17
BU-13-*	9	BU-4061-M-39-*	26	BU-7044-B-**-*	27	BU-PMDP-S-*	17
BU-1420-A-**-*	24	BU-4062-M-39-*	26	BU-7070-B-**-*	28	BU-X15400-*	11
BU-16-*	15	BU-40A-*	10	BU-70C.....	5	JP-25182-***	12
BU-2020-A-**-*	25	BU-40C-*	10	BU-70CS.....	5	JP-33674-***	12
BU-2030-A-**-*	25	BU-41A-*	10	BU-70S.....	5	JP-33699-***	12
BU-2031-A-**-*	25	BU-41APN.....	10	BU-7171-B-**-0.....	28	JP-5869-B.....	12
BU-20431-*	20	BU-41C-*	10	BU-72-*	5	JP-7505-83-**-*	29
BU-20432-*	20	BU-41CPN.....	10	BU-75K.....	11	JP-8078-***	12
BU-20433-*	20	BU-43PR-*	10	BU-78K.....	11	JP-8099-***	12
BU-20434-*	21	BU-4444-A-**-*	26	BU-8080-E-**-*	28	JP-8681-*	13
BU-21434-*	21	BU-45.....	6	BU-85.....	5	JP-8681-C*	13
BU-21APN.....	8	BU-45C.....	6	BU-85C.....	5	JP-8783-***	12
BU-21APS.....	8	BU-46A-*	10	BU-87-*	5	KT-MS001.....	34
BU-21CPN.....	8	BU-46C-*	10	BU-90-*	8	KT-MS002.....	34
BU-21CPS.....	9	BU-46PR-*	10	BU-P1081-**-*	30	KT-MS003.....	34
BU-2241-D-48-*	25	BU-46X.....	10	BU-P122505-*	17	KT-MS004.....	34
BU-2243-D-48-*	25	BU-47-*	6	BU-P1296.....	22	WI-M-10-**-*	30
BU-23-*	9	BU-48B.....	7	BU-P1330-*	16	WI-M-18-*	29
		BU-48B2E.....	7	BU-P1825-*	16		

Mueller Engineered Clips & Insulators

OVER 300 VARIETIES IN-STOCK AND READY FOR IMMEDIATE GLOBAL SHIPMENT



GUARANTEED RUGGED, DURABLE & RELIABLE

Mueller's engineered clip designs feature heavy-gauge body, spring, and rivet materials. Firm springs and sharp teeth yield clips with a strong "bite and hold." Clips typically found in the market are less robust, poorly formed, and inconsistently assembled, resulting in a shorter life and more frequent replacement. Mueller clips have been tested to one million cycles and are designed to last. No shortcuts or cost-saving tricks are used here. Mueller clips are offered in steel (plated with a choice of materials), 100% stainless steel, and copper. Not all clip insulators are the same. Ill-fitting insulators can lead to electrical shocks or make the clip difficult to operate. Mueller's insulators are specifically designed to fit the clip. Over 300 varieties of clips and insulators are in-stock, and ready for immediate global shipment.

Reference Chart for Popular Clips & Insulator Styles

AMPS	JAW OPENING	WIRE ATTACHMENT	USE WITH INSULATOR	WIRE AWG	PLATING	CLIP NUMBER	AMPS	JAW OPENING	WIRE ATTACHMENT	USE WITH INSULATOR	WIRE AWG	PLATING	CLIP NUMBER
5	3/16"	Crimp / Solder	BU-32.*	20-24	Nickel	BU-30	10	7/16"	Crimp / Screw	BU-74.*	14-20	Zinc	BU-95
5	3/16"	Crimp / Solder	BU-31.*	18-24	Nickel	BU-30BL	10	1/2"	Crimp / Screw	BU-49.*	14-20	Zinc	BU-48B
5	3/16"	Crimp / Solder	BU-32.*	20-24	Solid Copper	BU-30C	10	1/2"	Crimp	BU-49.*	14-20	Zinc	BU-48B2E
5	3/16"	Threaded	BU-31.*	NA	Nickel	BU-30TBO	10	1/2"	Solder	None	NA	Gold	BU-78K
5	7/32"	Crimp / Solder	BU-36.*	20-24	Nickel	BU-34	15	3/4"	Crimp / Solder	Insulated	Up to 12	Nickel	BU-40A.*
5	7/32"	Crimp / Solder	BU-36.*	20-24	Copper	BU-34C	20	1/764"	Plug-On	Insulated	NA	Nickel	BU-652.*
5	5/16"	Crimp / Solder	BU-47.*	16-22	Zinc	BU-45	20	1/2"	Crimp / Screw	BU-49.*	14-20	Solid Copper	BU-48C
5	5/16"	Crimp / Solder	BU-72.*	16-20	Nickel	BU-70	20	1/2"	Crimp / Screw	BU-49.*	14-18	Solid Copper	BU-50C
5	5/16"	Crimp / Screw	BU-72.*	16-20	Nickel	BU-70S	20	1/2"	Crimp / Screw	BU-49.*	14-18	Solid Copper	BU-51C
5	5/16"	Crimp / Screw	BU-87.*	14-20	Zinc	BU-85	20	5/8"	Crimp / Screw	BU-29/90.*	Up to 12	Zinc	BU-27
5	1"	Crimp / Screw	JP-8681.*	Up to 10	Nickel / Silver	JP-25182	20	5/8"	Crimp / Screw	BU-29/90.*	Up to 12	Zinc	JP-5869-B
5	1"	Crimp / Screw	JP-8681.*	Up to 10	Nickel / Silver	JP-33699	20	5/8"	Crimp / Screw	BU-29/90.*	Up to 12	Zinc	JP-5869-C
5	1"	Crimp / Screw	JP-8681.*	Up to 10	Nickel / Silver	JP-33674	20	3/4"	Crimp / Solder	Insulated	Up to 12	Nickel	BU-40C.*
5	1"	Crimp / Screw	JP-8681.*	Up to 10	Nickel / Silver	JP-8078	20	1"	Plug-On	Insulated	NA	Nickel	BU-654.*
5	1"	Crimp / Screw	JP-8681.*	Up to 10	Nickel / Silver	JP-8099	25	3/4"	Crimp / Screw	BU-26.*	Up to 10	Zinc	BU-24APN/APS
5	1"	Crimp / Screw	JP-8681.*	Up to 10	Nickel / Silver	JP-8783	30	3/4"	Plug-on	Insulated	NA	Nickel	BU-65.*
10	1/4"	Crimp / Screw	Insulated	14-20	Nickel	BU-63.*	30	5/164"	Plug-On	Insulated	NA	Nickel	BU-656.*
10	1/4"	Crimp / Screw	Insulated	14-20	Solid Copper	BU-63C.*	40	5/8"	Crimp / Screw	BU-29/90.*	Up to 12	Solid Copper	BU-27C
10	1/764"	Plug-On	Insulated	NA	Nickel	BU-651.*	40	5/8"	Crimp / Screw	BU-29/90.*	Up to 12	Solid Copper	BU-27CG
10	5/16"	Crimp / Screw	BU-47.*	16-22	Solid Copper	BU-45C	40	5/8"	Crimp / Screw	BU-29/90.*	Up to 12	Solid Copper	BU-27CGW
10	5/16"	Crimp / Solder / Plug-on	BU-62.*	14-20	Nickel	BU-60	40	3/4"	Crimp / Screw	BU-26.*	Up to 10	Zinc	BU-25
10	5/16"	Crimp / Solder / Plug-on	BU-62.*	14-20	Solid Copper	BU-60C	50	1 1/16"	Crimp / Screw	BU-23.*	Up to 8	Zinc	BU-21APN/APS
10	5/16"	Crimp / Screw	Insul. Barrel	14-20	Solid Copper	BU-60CHS.*	50	1 1/8"	Crimp / Solder	Insulated	Up to 10	Copper	BU-46A.*
10	5/16"	Crimp / Screw	BU-62.*	14-20	Solid Copper	BU-60CS	75	3/4"	Crimp / Screw	BU-26.*	Up to 10	Solid Copper	BU-25C
10	5/16"	Crimp / Solder	Insul. Barrel	14-20	Nickel	BU-60H.*	75	1 1/8"	Crimp / Solder	Insulated	Up to 10	Solid Copper	BU-46C.*
10	5/16"	Crimp / Screw	Insul. Barrel	14-20	Nickel	BU-60HS.*	100	1 1/16"	Lug	BU-23.*	Up to 8	Solid Copper	BU-21CPN/CPS
10	5/16"	Pin / Prod Tip	Insul. Barrel	NA	Nickel	BU-60HPR.*	100	1 5/8"	Lug	BU-13.*	Up to 3/0	Zinc	BU-11APN/APS
10	5/16"	Pin / Prod Tip	BU-62.*	NA	Nickel	BU-60PR2	200	1 9/16"	Crimp / Solder	Insulated	Up to 1	Copper	BU-41A.*
10	5/16"	Crimp / Screw	BU-62.*	14-20	Nickel	BU-60S	200	1 5/8"	Lug	BU-13.*	Up to 3/0	Solid Copper	BU-11CPN/CPS
10	5/16"	Threaded	BU-62.*	NA	Nickel	BU-60TBO	300	1 1/2"	Lug	Insulated	Up to 0	Copper	BU-102B.*
10	5/16"	Crimp / Solder	BU-62.*	14-20	Nickel	BU-60U	300	1 1/2"	Lug	Insulated	Up to 0	Copper	BU-102BK.*
10	5/16"	Crimp / Solder / Plug-On	BU-62.*	14-20	Stainless Steel	BU-60X	300	1 13/16"	Lug	BU-35.*	Up to 300MCM	Solid Copper	BU-33C
10	5/16"	Pin / Prod Tip	BU-62.*	NA	Nickel	BU-61	400	1 1/2"	Lug	Insulated	Up to 0	Copper	BU-102W.*
10	5/16"	Crimp / Solder	BU-72.*	16-20	Copper	BU-70C	200	1 1/2"	Crimp	Insulated	Up to 1	Copper Jaws	BU-X15400.*
10	5/16"	Crimp / Screw	BU-72.*	16-20	Copper	BU-70CS	400	1 9/16"	Crimp / Solder	Insulated	Up to 1	Solid Copper	BU-41C.*
10	5/16"	Screw	Insulated	NA	Gold	BU-75K							
10	5/16"	Crimp / Screw	BU-87.*	14-20	Solid Copper	BU-85C							
10	7/16"	Crimp / Screw	BU-49.*	14-20	Zinc	BU-55							











FOR ADDITIONAL IN-STOCK OPTIONS, CONTACT
CUSTOMER SERVICE AT 800-955-2629

*INSULATOR / INSULATED CLIP COLOR KEY:
0=BLACK 2=RED 4=YELLOW 5=GREEN 6=BLUE 9=WHITE

100 Years of Higher Standards

Ever since Ralph Mueller invented the “alligator clip” back in 1908, the Mueller name has been synonymous with quality, durability and reliability. Throughout the years, Mueller’s attention has remained squarely focused on the quality aspects of its products. As we’ve always said, Mueller products “outlast all others and cost less, because they last.” We welcome you to examine our products and tell us how we can be of service.

INDUSTRIES SERVED

- | | |
|---|---|
|  Aerospace |  Military & Defense |
|  Automotive |  Process / Industrial Controls |
|  Computer Peripherals |  Telecommunications |
|  Data Communications |  Test & Measurement |
|  Medical Equipment |  Transportation |

AVAILABLE AT MUELLERELECTRIC.COM

- Online Order Tracking
- Stock Check
- Spec Sheets
- Digital Catalog

WARRANTY

Mueller products are warranted to be free from defects in materials and workmanship for a period of 12 months. For the full text of the Terms & Conditions of the Warranty, please go to www.MuellerElectric.com/Warranty



 **MUELLER**®

MuellerElectric.com

T: 800-955-2629

T: 216-771-5225

F: 216-771-3068

sales@muellerelectric.com

Ohio, USA