

# STAKKAbox™ Fortress

## Access Chamber Section

915mm x 915mm



### Product Description

STAKKAbox™ Fortress is a range of modular access chambers, made from 150mm deep riser sections which stack and interlock to offer flexibility in finished chamber depths.

### Product Details

Clear Opening:	915mm x 915mm	Weight:	11.7kg
External Dimensions:	1045mm x 1045mm	Product Code:	SYFF99-09150915-BK010C000
Stacking Depth:	150mm	Delivery Options:	Assembled Ring
Actual Depth:	170mm		



### Materials Properties

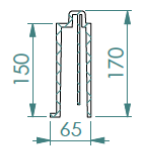
Material Profile	High Density Polyethylene (HDPE)	Black
Tensile Strength	ISO 527	22-26 MPA
Flexural Modulus	ISO 178	800 to 1100 N/mm <sup>2</sup>
Notched Izod Impact Strength	ISO 180 - 1A	4 - 6KJ/m <sup>3</sup>
Density	ISO 1183-1	0.955 - 0.958 g/cm <sup>3</sup>
Service Temperature	-	-40 to +80 °C
Surface Resistivity	ASTM D257-14	> 5.24E+15 ohm/square
Volume Resistivity	ASTM D257-14	> 2.276.39E+15 ohm/cm
Fire Performance	UL94	HB
Water Absorption (Non polar polymer)	-	0.01%

### Installation

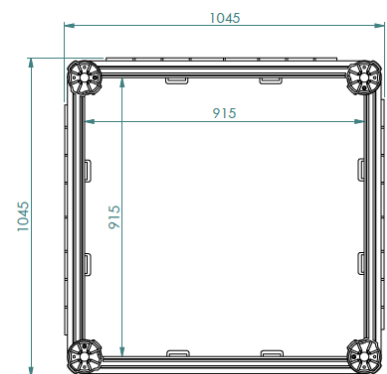
STAKKAbox™ Fortress has been tested to withstand vertical loads of EN124 D400. Please refer to the STAKKAbox™ Installation Guide for installation details.

### Key Features

- Fast and easy to install
- Sectional & twin wall design
- Smooth outer walls with lip to 'key' in



Fortress Cross Section Detail



Fortress cross-section top view



Scan for access to technical documents library

Fortress cross-section detail

CPFF-09150915 V.02 27/02/2020