

# 30 A

690 V  
U MAXI

## DECONTACTOR™ DS1



IP54<sup>(1)</sup>  
IP55<sup>(2)</sup>



2,5-6 mm<sup>2</sup> <sup>(3)</sup>  
2,5-10 mm<sup>2</sup> <sup>(4)</sup>



GRP



IK09



-40 °C  
+60 °C



AC-22  
AC-23



60309-1  
60309-4  
60947-3



2 AUX<sup>(5)</sup>

- [1] IP protection plug connected
- [2] IP protection lid closed
- [3] Flexible wiring (min.-max.).
- [4] Stranded wiring (min.-max.).
- [5] Flexible wiring : 2,5-6 mm<sup>2</sup>,  
stranded : 2,5-10 mm<sup>2</sup>

### LOAD-BREAK CAPABILITY OF THE DECONTACTOR™

Comply with IEC/EN 60309-1 and IEC/EN 60309-4 standards	30 A/690 V
Load-break capability according to IEC/EN 60947-3/AC-22	30 A/690 V
Load-break capability according to IEC/EN 60947-3/AC-23	30 A/480 V
Short-circuit current I <sub>cc</sub>	10 kA
Power kW AC-22/AC-23	15 kW



**Other cable sections:  
please contact us**



**For a black colour  
housing replace the second  
reference character with 5.**

**SOCKET-  
OUTLET** female  
**DS1**



**INLET** male  
**DS1**



**Dual-voltage  
socket-outlet  
(see p. 11)**

20-24 V AC	2P	311408A	311808A
220-250 V AC	1P+N+E	3114015	3118015
380-440 V AC	3P+E	3114013	3118013
220-250 V AC 380-440 V AC	3P+N+E	3114017	3118017
660-690 V AC	3P+E	3114193	3118193
380-400 V AC 660-690 V AC	3P+N+E	3114197	3118197
Up to 500 V AC - Auxiliaries 30 A*	+ 2 contacts	Ref. + 972	Ref. + 972

► Other currents, voltages, frequencies and contact configurations are available (see page 14).

\* When ordering the auxiliary option, the maximum tolerated voltage is reduced to 500 V AC.

**OPTIONS** Reference

**INDUSTRIAL/DOMESTIC ADAPTERS**

Industrial inlet MARECHAL® 1P+N+E and domestic socket-outlet 10/16A 230 V fuse protection 10A and 16A (with integrated fuse). All these plug adapters are available to local standards: replace D11 by D40 for UK, D30 for Germany/Netherlands/Luxembourg, D06 for Italy.



3118015D11

**COUPLER FITTED WITH A DIFFERENTIAL BREAKER**

Coupler fitted with a domestic plug (IP44 - 10/16 A 250V 2P+E), a mobile socket-outlet (DS1 type - IP55-230V 1P+N+E) and a differential circuit breaker (IP55-10 or 30mA - nominal current 16A) with reset button.



3114015ID3 (30 mA)

**LOCKING PIN FOR 2 PADLOCKS Ø 4 TO 8 mm (PADLOCK NOT SUPPLIED)**



Socket-outlet ref. +843

**SAFETY HASP FOR UP TO 6 PADLOCKS**



613A541

**LARGER RELEASE BUTTON**



Ref. socket +453

**INLET CAP IP66/IP67**



311A426

**IN-LINE CONNECTIONS (A PAIR OF FINGER DRAW PLATES TO AID CLOSING)**



613A346

**IP55 SELF-RETURNING LID**



Socket-outlet ref.+R

**IP55 METAL LOCKABLE SELF-CLOSING LID FOR INLET**



311A226

**SELF-EJECTING**



See page 192

**PRODUCTS AVAILABLE IN BLACK ●**

The black dot means these products are also available in black color. Replace the second character of the product reference with 5

**PRODUCT WITH ANTI-BACTERIAL TREATMENT ●**

**NEW**

This sticker means that the product is also available with an antibacterial treatment. Add the suffix AG to the reference. For more information on anti-bacterial treated handles please consult us.

**SLEEVE** Reference

**POLY SLEEVE ●**



30°

512M3



70°

512M7

**METAL SLEEVE**



0° (Straight)

592M0



30°

592M3

**BOXES** Input Reference

**POLY BOX ●**



30°

M20

512B3M20

30°

M25

512B3M25

**METAL BOX (+ EARTHING WIRE)**



20°

M20

592B2M20

20°

M25

592B2M25

**POLY BOX + POLY SLEEVE**

70°

Without hole

512C7000

70°

Hole Ø 20

512C7M20

70°

Hole Ø 25

512C7M25

Earth bar ref. : 51AA089

70°

Hole Ø 32

512C7M32

70°

Hole Ø 40

512C7M40

**METAL BOX (+ EARTHING WIRE) + POLY SLEEVE**

30°

M20

512C3M20

30°

M25

512C3M25

30°

M32

512C3M32

30°

M40

512C3M40

**METAL BOX (+ EARTHING WIRE) + METAL SLEEVE**

30°

M20

592C3M20

30°

M25

592C3M25

30°

M32

592C3M32

0° (Straight)

M20

592C0M20

0° (Straight)

M25

592C0M25

0° (Straight)

M32

592C0M32

Cable glands are not delivered with the boxes.

**HANDLE** Input/  
Cable outer Ø Reference Self-ejection

**POLY HANDLE WITH GLAND ●●**



5-21 mm

512P0D21

/

**POLY HANDLE + POLY CABLE GLAND ●●**

5-12 mm

512P020P

Ref. +443

9-18 mm

512P025P

Ref. +443

14-25 mm

512P032P

Ref. +443

18-32 mm

512P040P

Ref. +443

**POLY HANDLE (WITHOUT CABLE GLAND) ●**

M20

512P0M20

Ref. +443

M25

512P0M25

Ref. +443

M32

512P0M32

Ref. +443

M40

512P0M40

Ref. +443

**METAL HANDLE WITH METAL GLAND (+ EARTHING WIRE)**

7-13 mm

592P020M

/

8-16 mm

592P025M

/

16-24 mm

592P032M

/

**METAL HANDLE METRIC THREAD ENTRY (WITHOUT CABLE GLAND)**

M20

592P0M20

/

M25

592P0M25

/

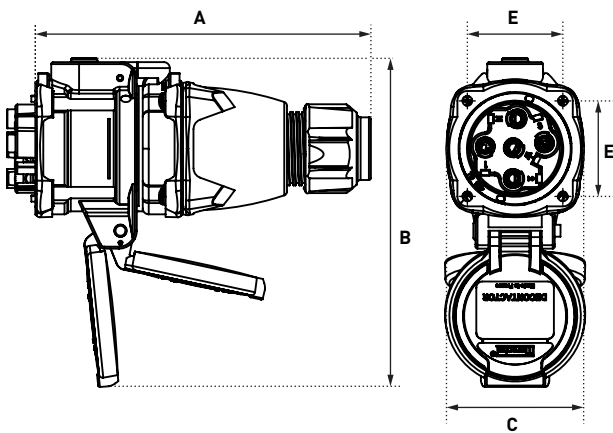
M32

592P0M32

/

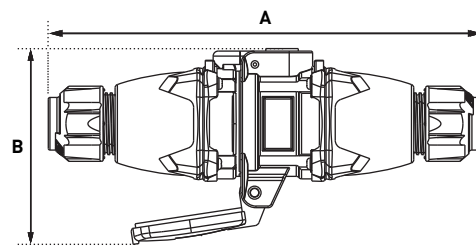
# DRAWINGS AND DIMENSIONS

PLUG ON SOCKET-OUTLET



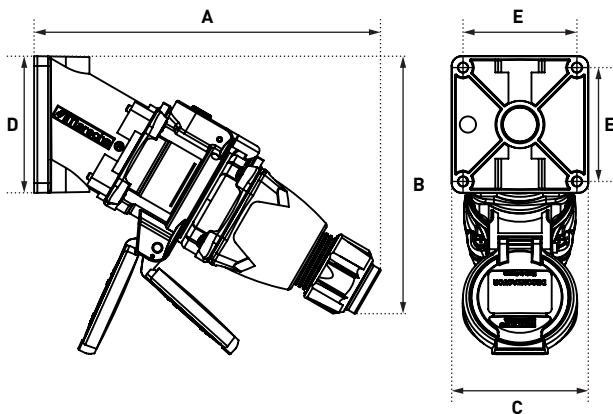
A	B	C	E
166	163	69	48

COUPLER



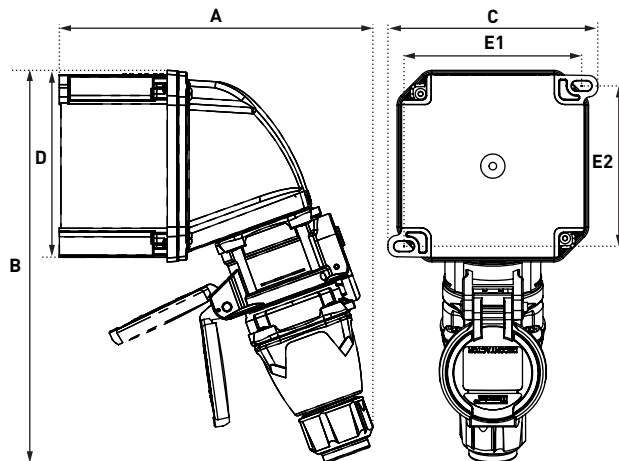
A	B	C
259	117	69

PLUG ON 30° WALL MOUNTED SOCKET OUTLET



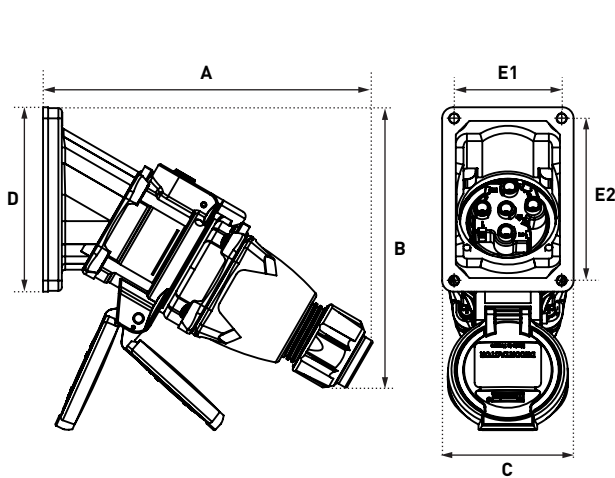
A	B	C	D	E
209	157	84	84	70

PLUG ON 70° WALL-MOUNTED SOCKET-OUTLET



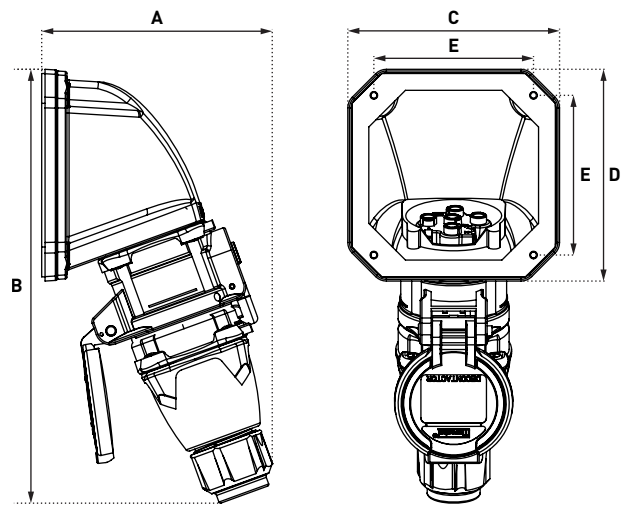
A	B	C	D	E1	E2
206	259	138	126	117	106

PLUG ON 30° INCLINED SOCKET-OUTLET



A	B	C	D	E1	E2
193	200	77	108	63	95

PLUG ON 70° INCLINED SOCKET-OUTLET



A	B	C	D	E
138	259	126	126	95

