

# 400 A $1\,000\text{ V}$

$U_{MAX}$

## INDUSTRIAL SOCKET-OUTLET DS4



IP66  
IP67



95-150 mm<sup>2</sup> (1)  
95-185 mm<sup>2</sup> (2)



METAL



IK10



-40 °C  
+60 °C



2 PIL



EMC

(1) Flexible wiring (min.-max.).  
(2) Stranded wiring (min.-max.).



Other cable sections:  
please contact us

### OTHER FEATURES

Mechanical interlock	standard
Inlet closing device in stainless steel	standard
Pilot contacts 5 A/400 V AC for electrical interlock	2
Auxiliaries wiring	2,5 mm <sup>2</sup>



Each socket-outlet  
and each inlet should be  
connected to a wall box,  
a sleeve, a handle or a  
spacer to ensure correct  
operation of the closing  
mechanism.

### SOCKET-OUTLET

female  
DS4













INLET male  
DS4





Compatible with  
previous version using kit  
394A396

380-440 V AC	3P+E+ 2 pilots	3944013	3948013
660-690 V AC	3P+E+ 2 pilots	3944193	3948193
1 000 V AC	3P+E+ 2 pilots	3944223	3948223

► Other currents, voltages, frequencies and contact configurations are available (see page 14).

OPTIONS	Cable section	Reference
<b>LOCKING PIN FOR 2 PADLOCKS Ø 4 TO 8 mm (PADLOCKS NOT SUPPLIED)</b>		
		Socket-outlet ref. +843
<b>SAFETY HASP FOR UP TO 6 PADLOCKS</b>		
		399A541
<b>INLET CAP IP66/IP67</b>		
		392A426
<b>IP40 SELF RETURNING LID (MANUAL CLOSING)</b>		
		Socket-outlet ref.+R
<b>ELECTROMAGNETIC COMPATIBILITY (EMC) ●</b> <span style="background-color: orange; color: white; padding: 2px;">NEW</span>		
	Please order a metal threaded accessory herewith, together with a EMC cable gland to be found on page 318.	
<b>CABLE AMPLIFIER LUGS</b>		
	Flexible 185 mm <sup>2</sup> Stranded 240 mm <sup>2</sup>	394A277-240
	Flexible 240 mm <sup>2</sup> Stranded 300 mm <sup>2</sup>	394A277-300
<b>SPACERS (BETWEEN THE WALL BOX OR PANEL)</b>		
	Depth 68 mm	5K7M0-68
	Depth 115 mm	5K7M0-115
<b>PADLOCKING/ELECTRO-MECHANICAL INTERLOCKING</b>		
	Socket-outlet reference+MIL. Check out the details on page 312	

SLEEVE		Reference
<b>METAL SLEEVE <sup>(1)</sup></b>		
	60°	597M6

(1) For use with amplifier tips, it is necessary to use a spacer of 68 mm minimum.



### ELECTRICAL INTERLOCKING

With such a current, disconnection under load is just not possible. Electrical interlocking with a switch or a pilot controlled contactor is required.

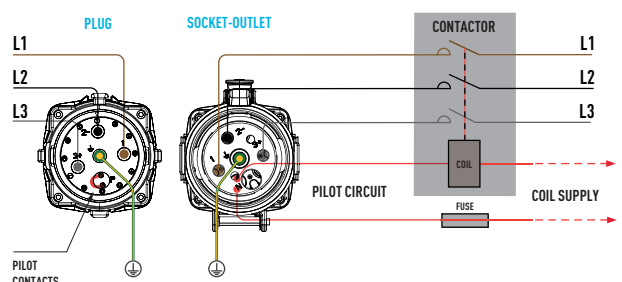
Note that we may customize the wall box with the following functions or devices:

- circuit breaker or differential switch,
- contactor,
- fuses,
- loop-in/loop-out configuration,
- Terminals fitted for single-pole cable use...

HANDLE	Cable outer Ø (min./max.)	Reference
<b>METAL HANDLE WITH INTEGRATED CABLE CLAMP</b>		
	40-50 mm	5K6P0D50
	51-60 mm	5K6P0D60
	61-70 mm	5K6P0D70
	71-80 mm	5K6P0D80
	81-90 mm	5K6P0D90
<b>METAL HANDLE METRIC THREAD ENTRY (WITHOUT CABLE GLAND) ●</b>		
	M40	5K6P0M40L
	M50	5K6P0M50L
	M63	5K6P0M63L
	M75	5K6P0M75L
<b>METAL HANDLE METRIC THREAD ENTRY (WITHOUT CABLE GLAND) - LARGE SIZE ●</b>		
	M63	796P0M63
	M75	796P0M75

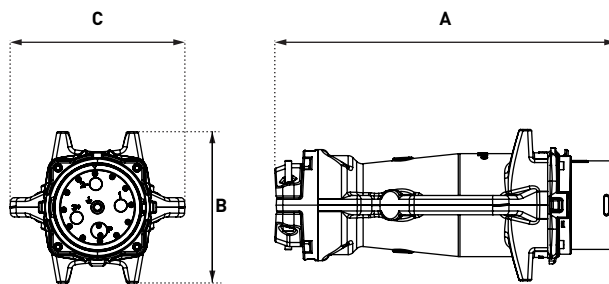
BOXES		Cable outer Ø	Reference
<b>METAL BOX (+ EARTHING WIRE) + METAL SLEEVE + CORNET <sup>(1)</sup></b>			
	60°	M63	597E6M63
	60°	M75	597E6M75
<b>STAINLESS STEEL (+ EARTHING WIRE) + METAL SLEEVE + METAL CABLE GLAND (+ EARTHING WIRE)</b>			
	70°	35-46 mm	577C763M
	70°	48-65 mm	577C775M

### TYPICAL WIRING DIAGRAM OF THE DS4 CONTROL CIRCUIT



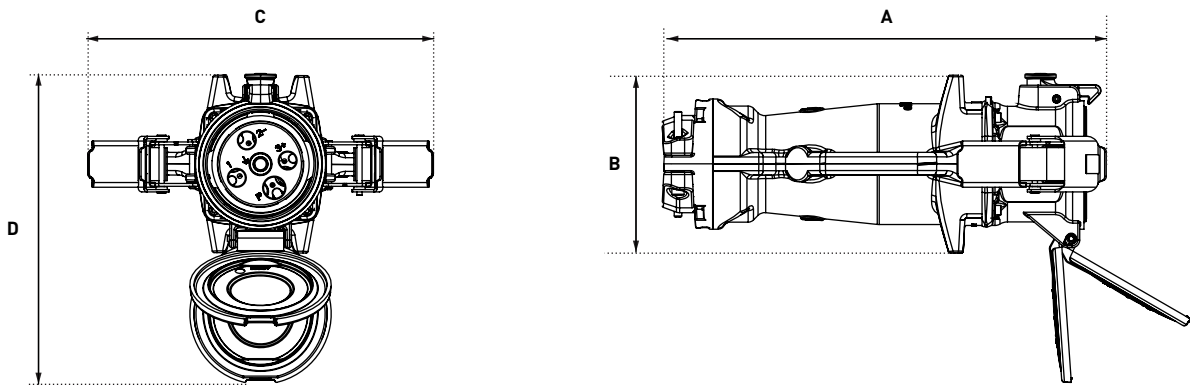
# DRAWINGS AND DIMENSIONS

## INLET



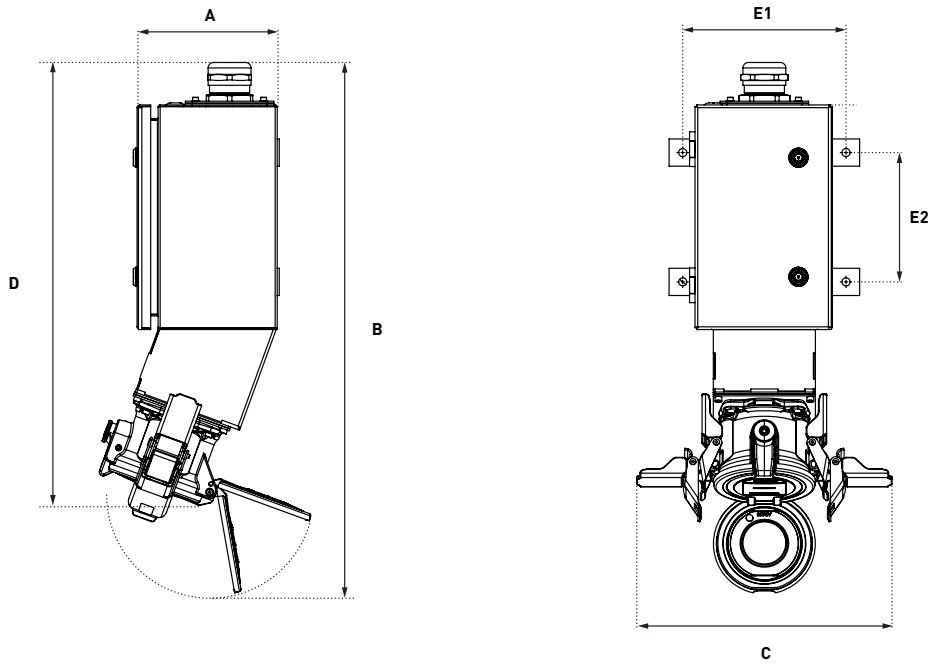
A	B	C
420	188	217

## COUPLER SOCKET



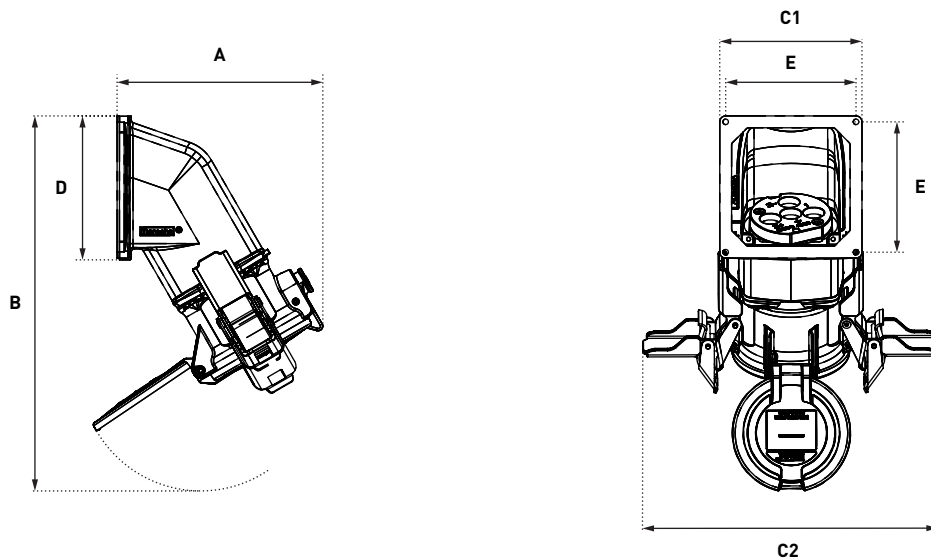
A	B	C	D
473	188	375	327

WALL BOX MOUNTED SOCKET-OUTLET 70°



A	B	C	D	E1	E2
206	784	375	651	240	190

PANEL MOUNTED SOCKET-OUTLET 60°



A	B	C1	C2	D	E
255	474	180	375	180	165