

# 150 A

1 000 V  
U<sub>MAXI</sub>

## DECONTACTOR™ DS9 POLY



IP66  
IP67  
IP69



25-70 mm<sup>2</sup> (1)  
25-95 mm<sup>2</sup> (2)



GRP



IK09



-40 °C  
+60 °C



AC-22  
AC-23



60309-1  
60309-4  
60947-3



6 AUX. (3)

(1) Flexible wiring (min.-max.).  
(2) Stranded wiring (min.-max.).  
(3) Flexible wiring : 2,5 mm<sup>2</sup>.



Other configurations on request

GRP devices are not compatible with metal devices.



Each inlet should be connected to a wall box, a sleeve or a handle to ensure correct operation of the closing mechanism.

### LOAD-BREAK CAPABILITY OF THE DECONTACTOR™

Comply with IEC/EN 60309-1 and IEC/EN 60309-4 standards	150 A/690 V
Load-break capability according to IEC/EN 60947-3/AC-22	(90 A/690 V) or (150 A/600 V)
Load-break capability according to IEC/EN 60947-3/AC-23	100 A/440 V
Short-circuit current I <sub>cc</sub>	10 kA
Power kW AC-22/AC-23	80 kW

**SOCKET-OUTLET**  
female  
DS9






**INLET** male  
DS9





380-440 V AC	3P+E	3194013	3198013
220-250 V AC 380-440 V AC	3P+N+E	3194017	3198017
660-690 V AC	3P+E	3194193	3198193
380-400 V AC 660-690 V AC	3P+N+E	3194197	3198197
1 000 V AC*	3P+E	3194223	3198223
Auxiliaries 10 A/400 V AC	+ 2 contacts	Ref. + 262	Ref. + 262
Auxiliaries 10 A/400 V AC	+ 4 contacts	Ref. + 264	Ref. + 264
Auxiliaries 10 A/400 V AC	+ 6 contacts	Ref. + 976	Ref. + 976


► Other currents, voltages, frequencies and contact configurations are available (see page 14).


\* Switch rating up to 125 A.


OPTIONS	Reference
<b>LOCKING PIN FOR 2 PADLOCKS Ø 4 TO 8 mm (PADLOCKS NOT SUPPLIED)</b>	
	Socket-outlet ref. +843
<b>SAFETY HASP FOR UP TO 6 PADLOCKS</b>	
	399A541
<b>LARGER RELEASE BUTTON</b>	
	Ref. socket +453
<b>INLET CAP IP66/IP67</b>	
	319A426
<b>IP40 SELF RETURNING LID (MANUAL CLOSING)</b>	
	Socket-outlet ref.+R


HANDLE	Input/ Cable outer Ø	Reference	Self-ejection
<b>ELASTOMER HANDLE WITH GLAND</b>			
	18-25 mm	555P0D25	Ref. +443
	25-35 mm	555P0D35	Ref. +443
	35-45 mm	555P0D45	Ref. +443
	45-49 mm	555P0D49	Ref. +443


<b>POLY HANDLE + POLY CABLE GLAND</b>			
	14-25 mm	515P032P	Ref. +443
	18-32 mm	515P040P	Ref. +443
	24-38 mm	515P050P	Ref. +443
	35-48 mm	515P063P	/


<b>POLY HANDLE (WITHOUT CABLE GLAND)</b>			
	M50	515P0M50	/
	M63	515P0M63	/


<b>METAL HANDLE WITH METAL GLAND (+ EARTHING WIRE)</b>			
	16-24 mm	595P032M	/
	22-32 mm	595P040M	/
	34-44 mm	595P050M	/
	35-48 mm	595P063M	/



<b>METAL HANDLE METRIC THREAD ENTRY (WITHOUT CABLE GLAND)</b>			
	M32	595P0M32	/
	M40	595P0M40	/
	M50	595P0M50	/
	M63	595P0M63	/

BOXES	△x°	Input	Reference
<b>METAL BOX (+ EARTHING WIRE) + POLY SLEEVE</b>			
	30°	M32	515C3M32
	30°	M40	515C3M40
	30°	M50	515C3M50
	30°	M63	515C3M63



<b>METAL BOX (+ EARTHING WIRE) + METAL SLEEVE</b>			
	30°	M32	595C3M32
	30°	M40	595C3M40
	30°	M50	595C3M50
	30°	M63	595C3M63

	0° (Straight)	M32	595C0M32
	0° (Straight)	M40	595C0M40
	0° (Straight)	M50	595C0M50
	0° (Straight)	M63	595C0M63

	70°	M32	595C7M32
	70°	M40	595C7M40
	70°	M50	595C7M50
	70°	M63	595C7M63

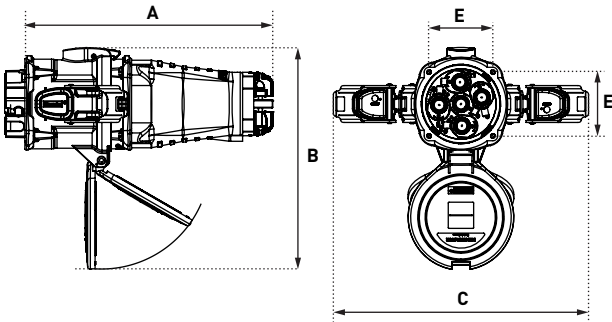
<b>METAL BOX (+ EARTHING WIRE) + METAL SLEEVE + CORNET</b>			
	0° (Straight)	M50	595E0M50
	30°	M50	595E3M50
	30°	M63	595E3M63
	70°	M50	595E7M50
	70°	M63	595E7M63

Cable glands are not delivered with the boxes.

SLEEVE	△x°	Reference
<b>POLY SLEEVE</b>		
	30°	515M3
<b>METAL SLEEVE</b>		
	0° (Straight)	595M0
	30°	595M3
	70°	595M7

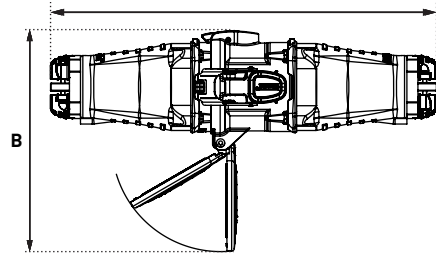
# DRAWINGS AND DIMENSIONS

PLUG ON SOCKET-OUTLET



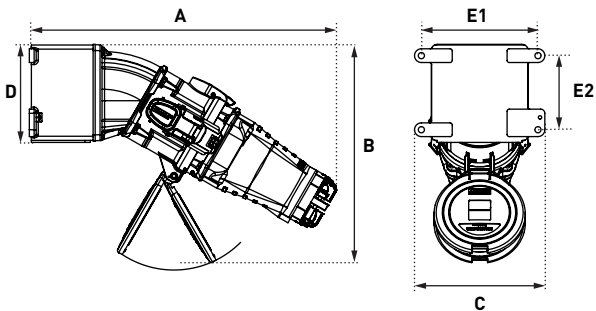
A	B	C	E
313	279	322	81

COUPLER



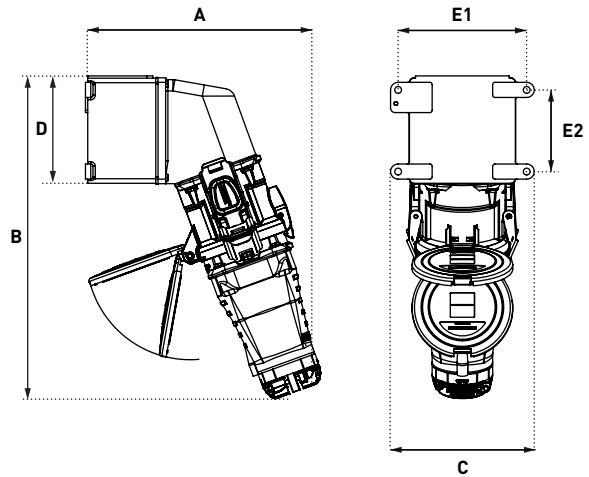
A	B
491	280

PLUG ON 30° WALL MOUNTED SOCKET OUTLET



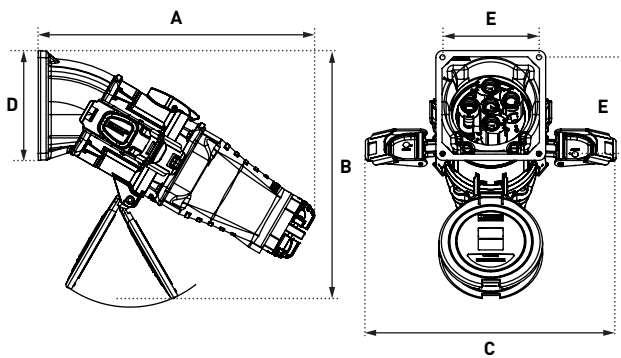
A	B	C	D	E1	E2
448	265	190	142	170	108

PLUG ON 70° WALL BOX MOUNTED SOCKET



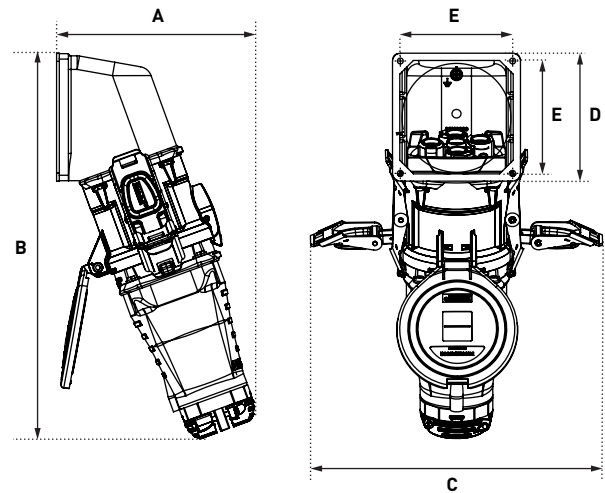
A	B	C	D	E1	E2
311	427	190	142	170	108

**PLUG ON 30° INCLINED SOCKET-OUTLET**

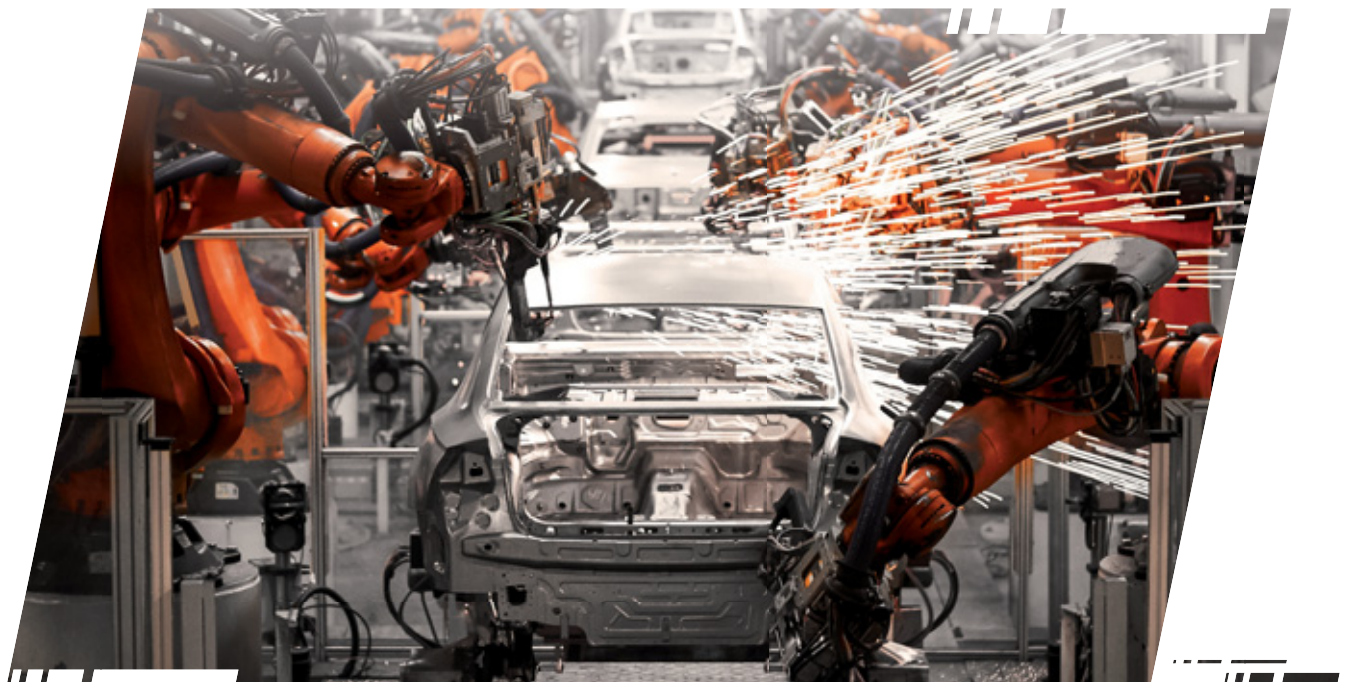


A	B	C	D	E
355	329	322	141	124

**PLUG ON 70° INCLINED SOCKET-OUTLET**



A	B	C	D	E
218	425	322	140	124





# 150 A

1 000 V  
U MAXI

## DECONTACTOR™ DS9 METAL



IP66  
IP67  
IP69



25-70 mm<sup>2</sup> (1)  
25-95 mm<sup>2</sup> (2)



METAL



IK10



-40 °C  
+60 °C



AC-22  
AC-23



60309-1  
60309-4  
60947-3



6 AUX. (3)



EMC

(1) Flexible wiring (min.-max.).  
(2) Stranded wiring (min.-max.).  
(3) Flexible wiring : 2,5 mm<sup>2</sup>.



Other configurations on request

GRP devices are not compatible with metal devices.



Each inlet should be connected to a wall box, a sleeve or a handle to ensure correct operation of the closing mechanism.

### LOAD-BREAK CAPABILITY OF THE DECONTACTOR™

Comply with IEC/EN 60309-1 and IEC/EN 60309-4 standards	150 A/690 V
Load-break capability according to IEC/EN 60947-3/AC-22	(90 A/690 V) or (150 A/600 V)
Load-break capability according to IEC/EN 60947-3/AC-23	100 A/440 V
Short-circuit current I <sub>cc</sub>	10 kA
Power kW AC-22/AC-23	80 kW

SOCKET-OUTLET  
female  
DS9



INLET male  
DS9









380-440 V AC	3P+E	3994013	3998013
220-250 V AC 380-440 V AC	3P+N+E	3994017	3998017
660-690 V AC	3P+E	3994193	3998193
380-400 V AC 660-690 V AC	3P+N+E	3994197	3998197
1 000 V AC*	3P+E	3994223	3998223
Auxiliaries 10 A/400 V AC	+ 2 contacts	Ref. + 262	Ref. + 262
Auxiliaries 10 A/400 V AC	+ 4 contacts	Ref. + 264	Ref. + 264
Auxiliaries 10 A/400 V AC	+ 6 contacts	Ref. + 976	Ref. + 976

► Other currents, voltages, frequencies and contact configurations are available (see page 14).


\* Switch rating up to 125 A.

OPTIONS	Reference
<b>LOCKING PIN FOR 2 PADLOCKS Ø 4 TO 8 mm (PADLOCKS NOT SUPPLIED)</b>	
 Socket-outlet ref. +843	
<b>SAFETY HASP FOR UP TO 6 PADLOCKS</b>	
 399A541	
<b>ALLEN-SCREW LOCKING LATCH</b>	
Direct latch locking, no padlocking option.	Ref. socket + 22
<b>INLET CAP IP66/IP67</b>	
 319A426	
<b>IP40 SELF RETURNING LID (MANUAL CLOSING)</b>	
 Socket-outlet ref.+R	
<b>ELECTROMAGNETIC COMPATIBILITY (EMC)</b> ● <b>NEW</b>	
	Please order a metal threaded accessory herewith, together with a EMC cable gland to be found on page 318.





HANDLE	Input/ Cable outer Ø	Reference
<b>ELASTOMER HANDLE WITH GLAND</b>		
	18-25 mm	555P0D25
	25-35 mm	555P0D35
	35-45 mm	555P0D45
	45-49 mm	555P0D49
<b>POLY HANDLE + POLY CABLE GLAND</b>		
	14-25 mm	515P032P
	18-32 mm	515P040P
	24-38 mm	515P050P
	35-48 mm	515P063P
<b>POLY HANDLE (WITHOUT CABLE GLAND)</b>		
	M50	515P0M50
	M63	515P0M63
<b>METAL HANDLE WITH METAL GLAND (+ EARTHING WIRE)</b>		
	16-24 mm	595P032M
	22-32 mm	595P040M
	34-44 mm	595P050M
	35-48 mm	595P063M
<b>METAL HANDLE METRIC THREAD ENTRY (WITHOUT CABLE GLAND)</b> ●		
	M32	595P0M32
	M40	595P0M40
	M50	595P0M50
	M63	595P0M63

BOXES	△x°	Input	Reference
<b>METAL BOX (+ EARTHING WIRE) + POLY SLEEVE</b>			
	30°	M32	515C3M32
	30°	M40	515C3M40
	30°	M50	515C3M50
	30°	M63	515C3M63

<b>METAL BOX (+ EARTHING WIRE) + METAL SLEEVE</b> ●			
	30°	M32	595C3M32
	30°	M40	595C3M40
	30°	M50	595C3M50
	30°	M63	595C3M63
	0° (Straight)	M32	595C0M32
	0° (Straight)	M40	595C0M40
	0° (Straight)	M50	595C0M50
	0° (Straight)	M63	595C0M63
	70°	M32	595C7M32
	70°	M40	595C7M40
70°	M50	595C7M50	
70°	M63	595C7M63	

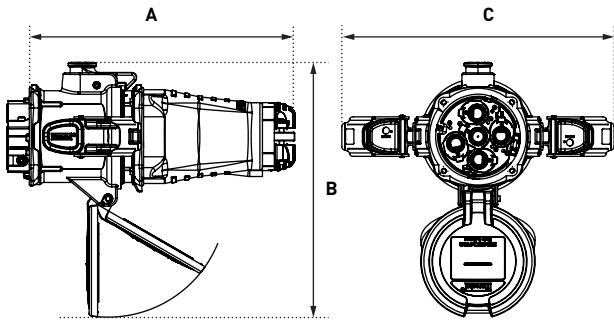
<b>METAL BOX (+ EARTHING WIRE) + METAL SLEEVE + CORNET</b> ●			
	0° (Straight)	M50	595E0M50
	30°	M50	595E3M50
	30°	M63	595E3M63
	70°	M50	595E7M50
	70°	M63	595E7M63

Cable glands are not delivered with the boxes.

SLEEVE	△x°	Reference
<b>POLY SLEEVE</b>		
	30°	515M3
<b>METAL SLEEVE</b> ●		
	0° (Straight)	595M0
	30°	595M3
	70°	595M7

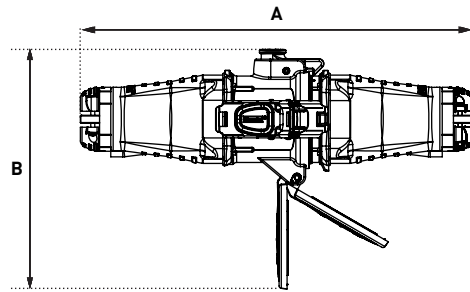
# DRAWINGS AND DIMENSIONS

PLUG ON SOCKET-OUTLET



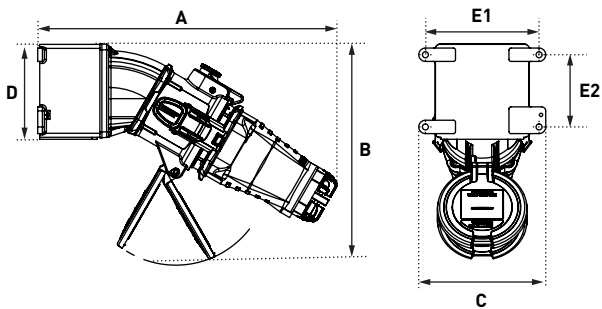
A	B	C
313	299	322

COUPLER



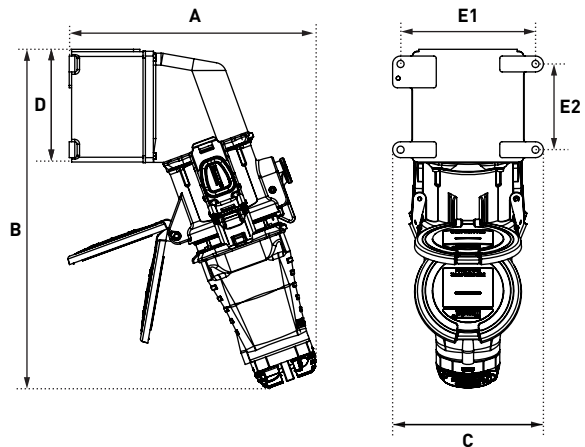
A	B
490	299

PLUG ON 30° WALL MOUNTED SOCKET OUTLET



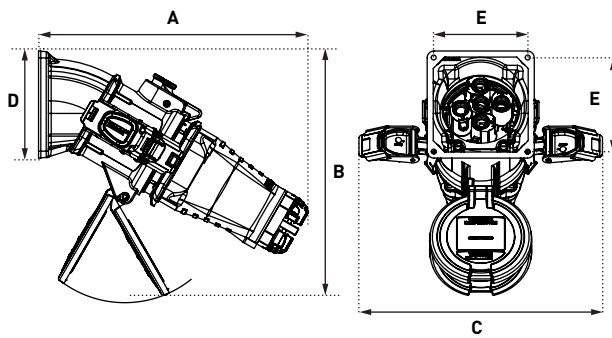
A	B	C	D	E1	E2
448	330	322	142	170	108

PLUG ON 70° WALL BOX MOUNTED SOCKET



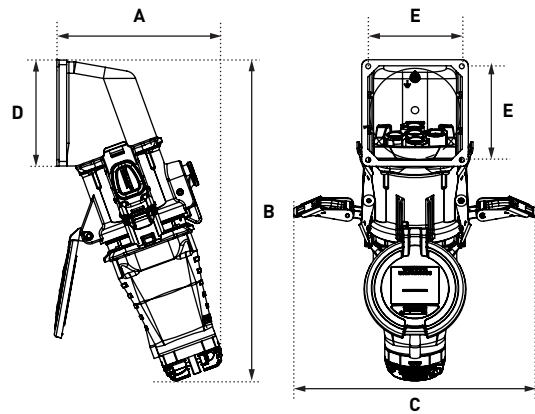
A	B	C	D	E1	E2
310	426	190	142	170	108

PLUG ON 30° INCLINED SOCKET-OUTLET



A	B	C	D	E
355	331	322	141	124

PLUG ON 70° INCLINED SOCKET-OUTLET



A	B	C	D	E
217	424	322	141	124

